



US00D724030S

(12) **United States Design Patent**
Faul

(10) **Patent No.:** **US D724,030 S**
(45) **Date of Patent:** **** Mar. 10, 2015**

(54) **ELECTRICAL EXTENSION DEVICE**

(71) Applicant: **Conway Electric, LLC**, Boulder, CO (US)

(72) Inventor: **Kevin Faul**, Boulder, CO (US)

(73) Assignee: **Conway Electric, LLC**, Boulder, CO (US)

(**) Term: **14 Years**

(21) Appl. No.: **29/476,538**

(22) Filed: **Dec. 13, 2013**

(51) **LOC (10) Cl.** **13-03**

(52) **U.S. Cl.**
USPC **D13/139.1**

(58) **Field of Classification Search**
USPC D13/139.1–139.8, 137.1–137.4, 110,
D13/152, 156, 169; 174/53, 54, 55, 56, 58;
439/107; D8/353

See application file for complete search history.

(56) **References Cited**

U.S. PATENT DOCUMENTS

3,510,822	A *	5/1970	Patterson	439/107
3,716,651	A *	2/1973	Werner	174/53
D340,909	S *	11/1993	Ip	D13/110
D367,643	S	3/1996	Vardell		
D533,143	S *	12/2006	Jones	D13/169
7,390,966	B1	6/2008	Shotey et al.		
RE40,600	E	12/2008	Maltby et al.		
D605,139	S *	12/2009	Moore	D13/156

(Continued)

OTHER PUBLICATIONS

TacMac Corporation, "Metal 1-Gang Outlet Boxes", Dec. 12, 2013, 2 pages, http://www.taymac.com/products/outlet_boxes_and_extensions/1-gang.

(Continued)

Primary Examiner — Ian Simmons

Assistant Examiner — Rhea Shields

(74) *Attorney, Agent, or Firm* — Oblon, Spivak, McClelland, Maier & Neustadt, L.L.P.

(57) **CLAIM**

The ornamental design for an electrical extension device, as shown and described.

DESCRIPTION

FIG. 1 is a rear, left side perspective view of a first embodiment of the electrical extension device;

FIG. 2 is a left side elevational view thereof.

FIG. 3 is a top plan view thereof.

FIG. 4 is a rear elevational view thereof.

FIG. 5 is a front elevation view of FIG. 1, with the environment removed for clarity of disclosure;

FIG. 6 is a bottom plan view thereof.

FIG. 7 is a bottom, left side perspective view thereof.

FIG. 8 is a rear, left side perspective view of a second embodiment of the electrical extension device;

FIG. 9 is a rear, left side perspective view of a third embodiment of the electrical extension device;

FIG. 10 is a left side elevational view thereof.

FIG. 11 is a top plan view thereof.

FIG. 12 is a bottom plan view thereof.

FIG. 13 is a bottom, left side perspective view thereof.

Notably regarding the third embodiment of the electrical extension device, the two stoppers on the respective ends of the casing/housing are flush with the casing/housing. Additionally, the rear and front elevation views are omitted for this variation, because these views are the same as FIGS. 4 and 5, respectively.

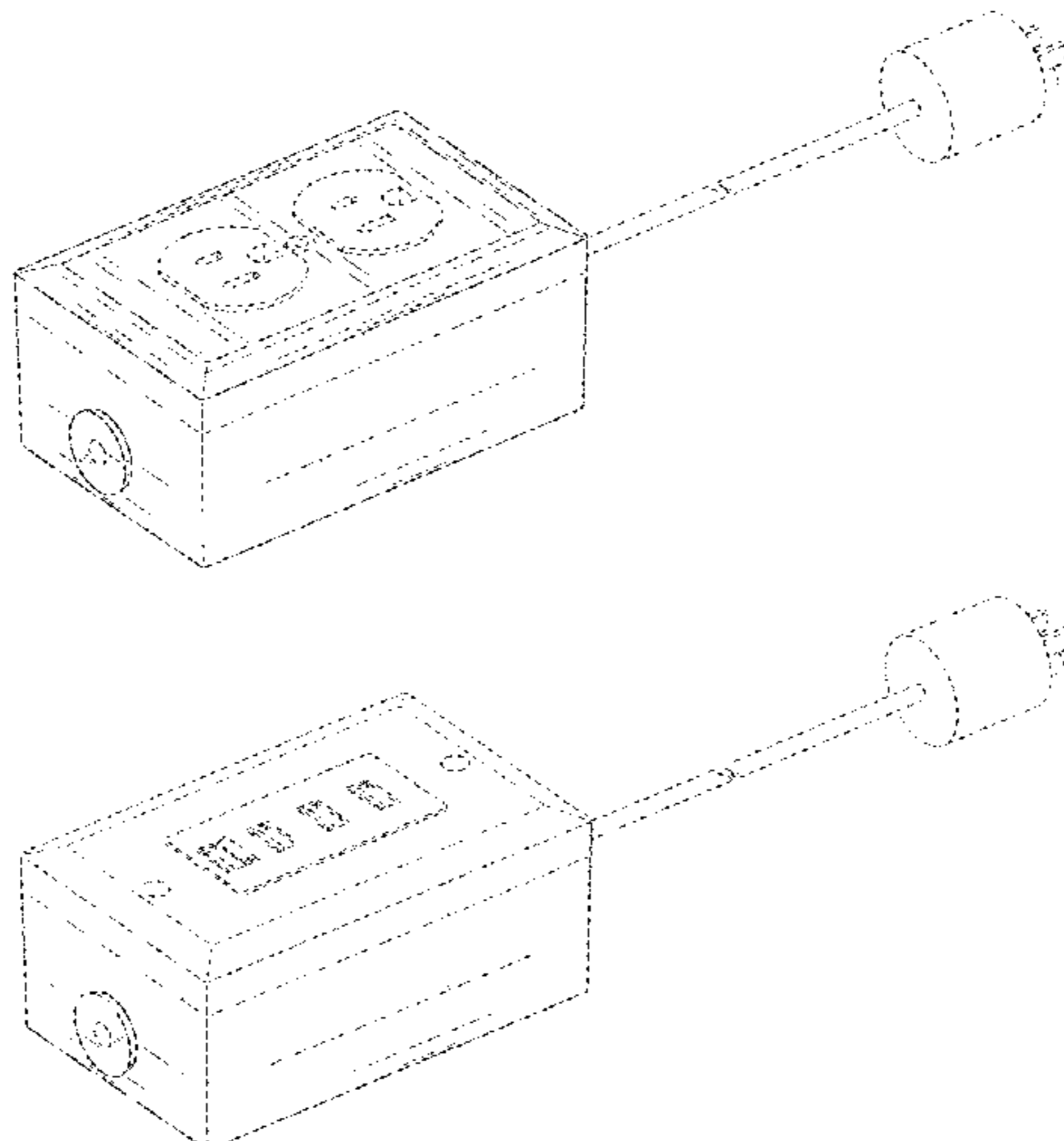
FIG. 14 is a rear, left side perspective view of a fourth embodiment of the electrical extension device;

FIG. 15 is a rear, left side perspective view of a fifth embodiment of the electrical extension device; and,

FIG. 16 is a rear, left side perspective view of a sixth embodiment of the electrical extension device.

The broken lines in the drawings depict environmental subject matter only and form no part of the claimed design.

1 Claim, 15 Drawing Sheets



(56)

References Cited

OTHER PUBLICATIONS

U.S. PATENT DOCUMENTS

7,820,910 B1 10/2010 Cleghorn et al.
D638,688 S * 5/2011 Sheremeta et al. D8/353
7,939,758 B1 5/2011 Shotey
D649,515 S * 11/2011 Ullrich D13/139.8
D695,693 S * 12/2013 Lee et al. D13/152
D699,183 S * 2/2014 Zaslavsky et al. D13/110
D700,892 S * 3/2014 Segnit D13/137.2
D704,148 S * 5/2014 Taylor D13/156

Woodhead, "Portable Outlet Boxes", pp. 140-149, <http://www.woodheadsales.com/pdfs/multiple%20outlet%20boxes%20902.pdf>.

* cited by examiner

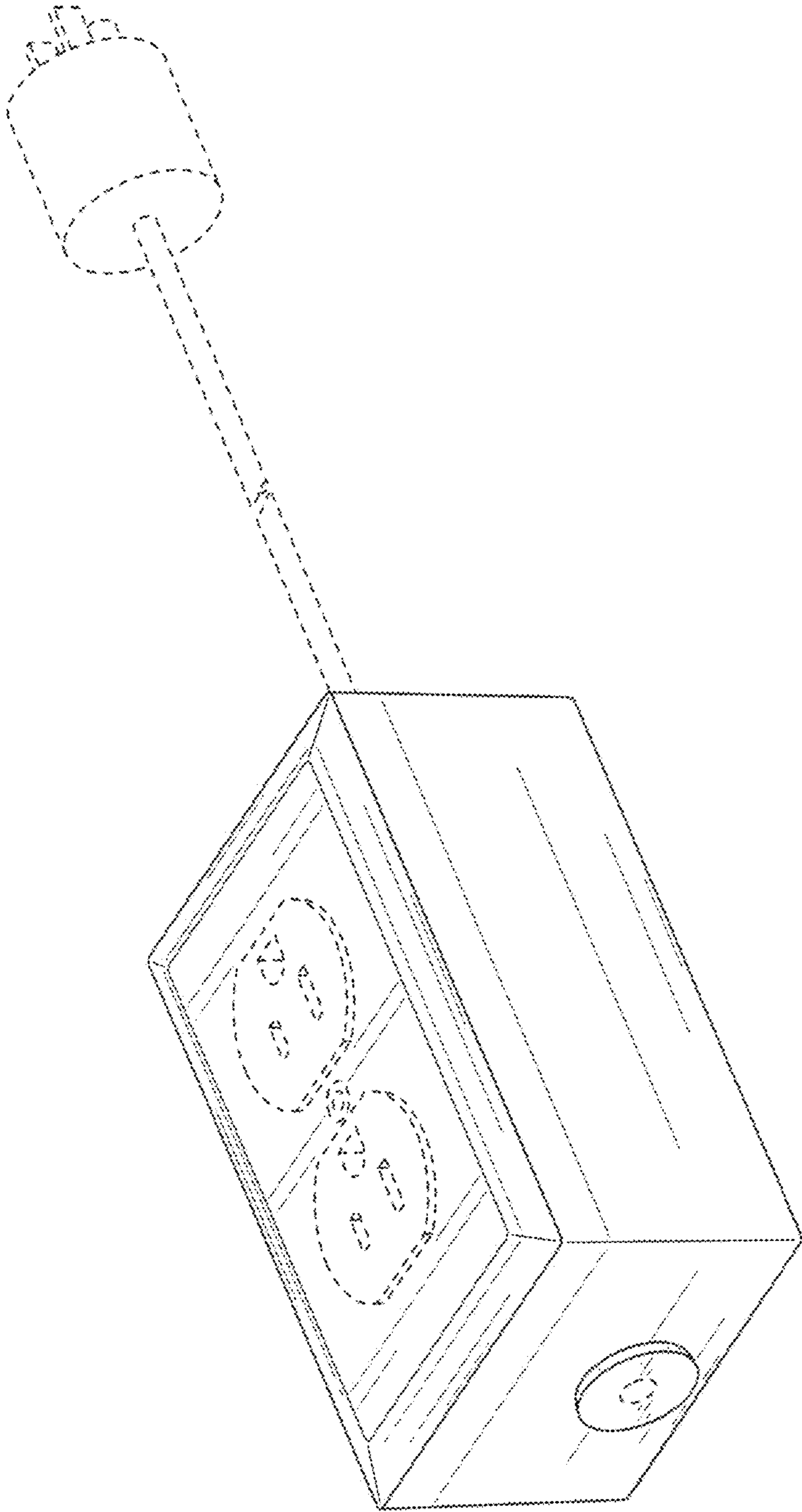


FIG. 1

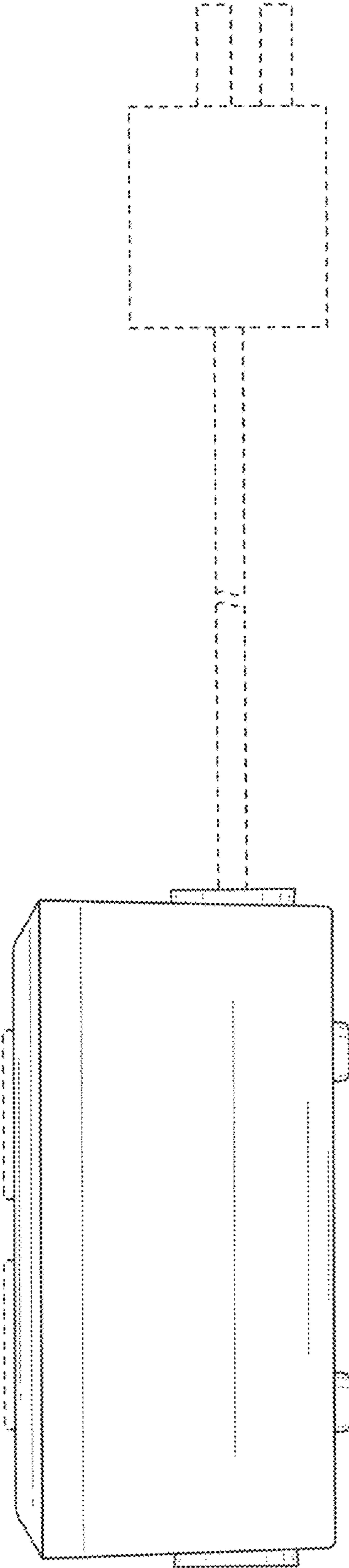


FIG. 2

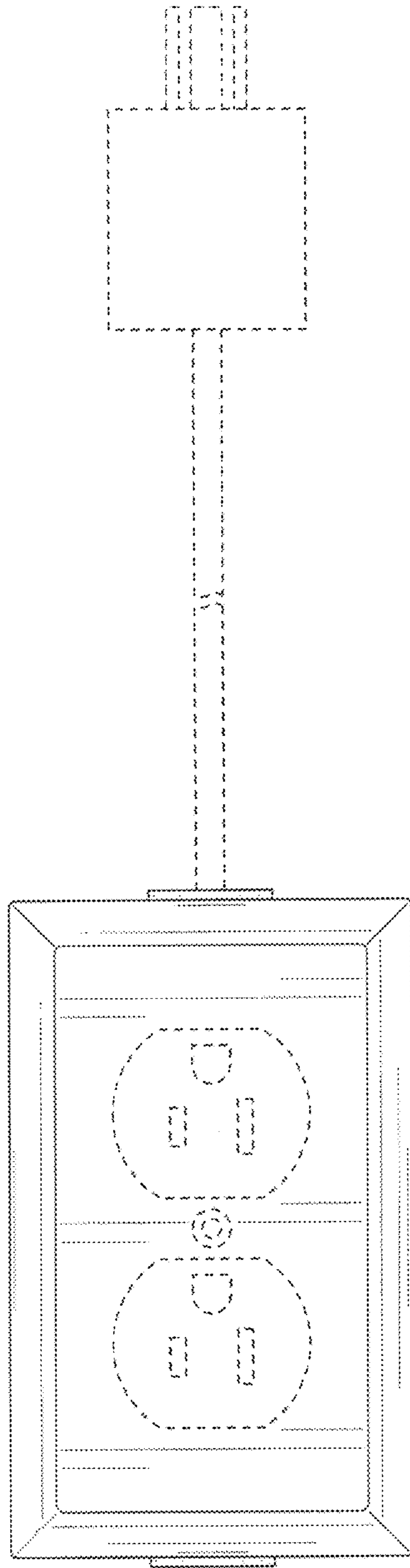


FIG. 3

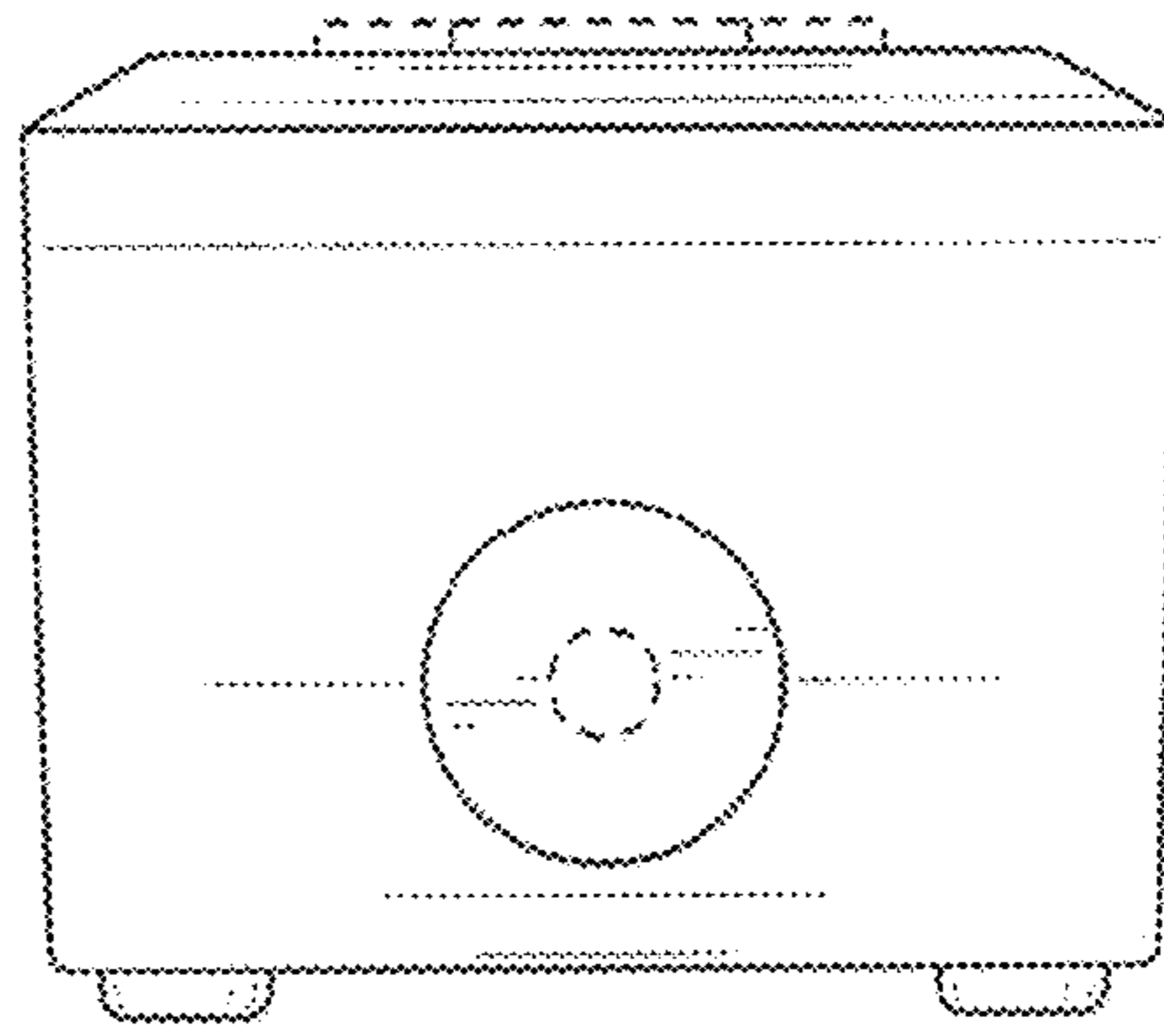


FIG. 4

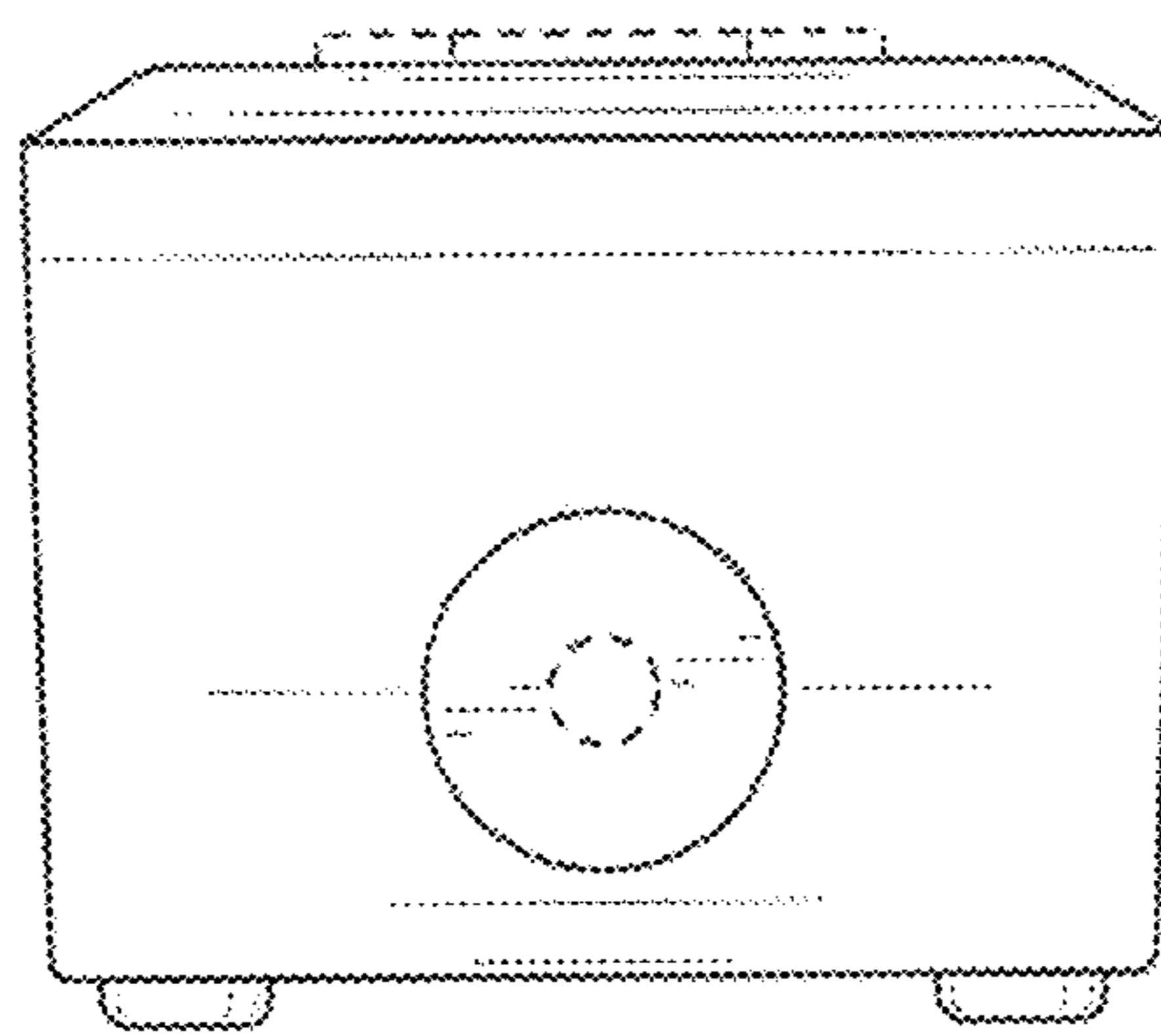


FIG. 5

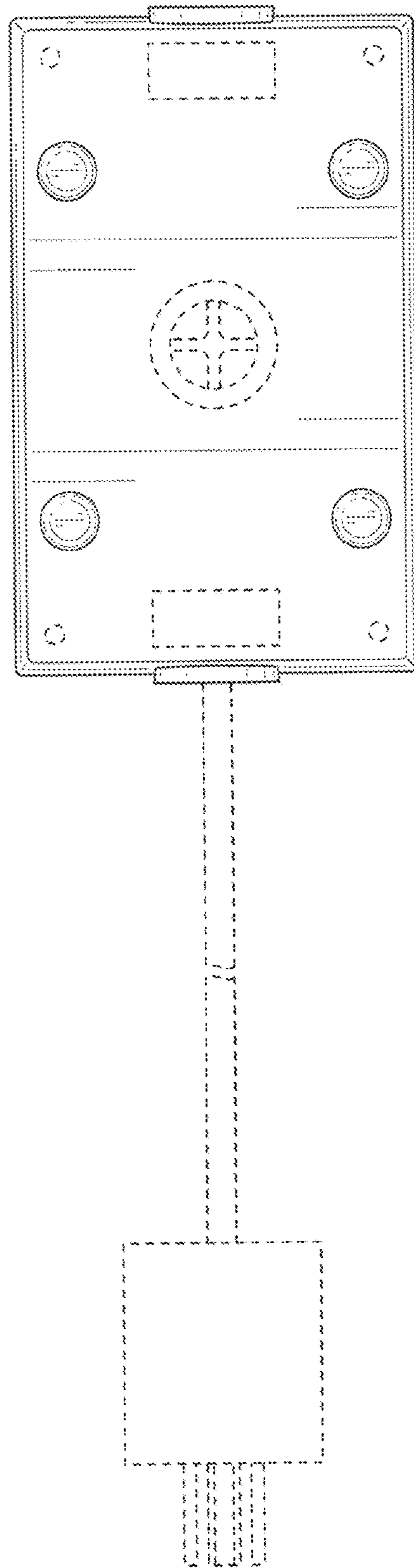


FIG. 6

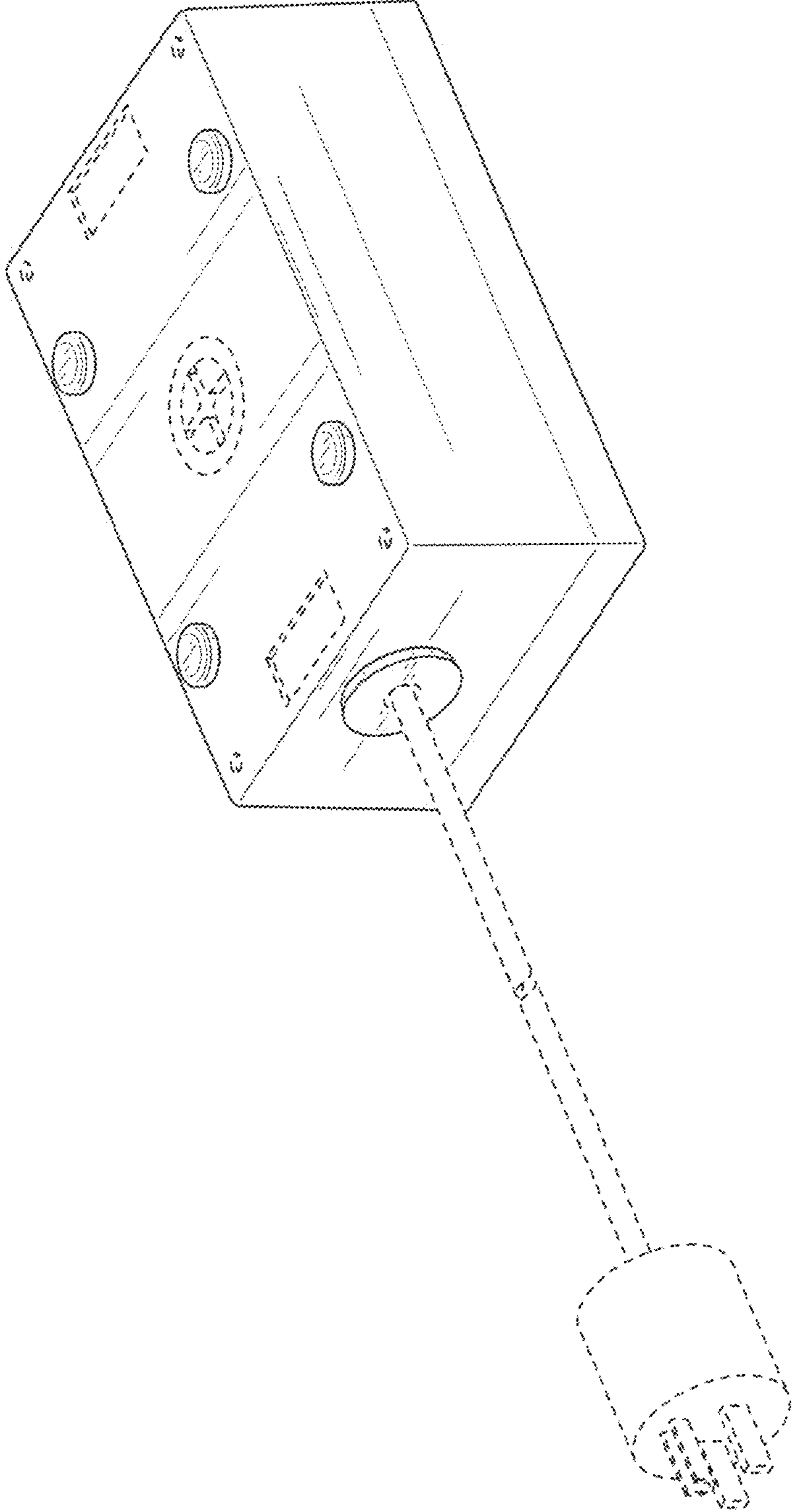


FIG. 7

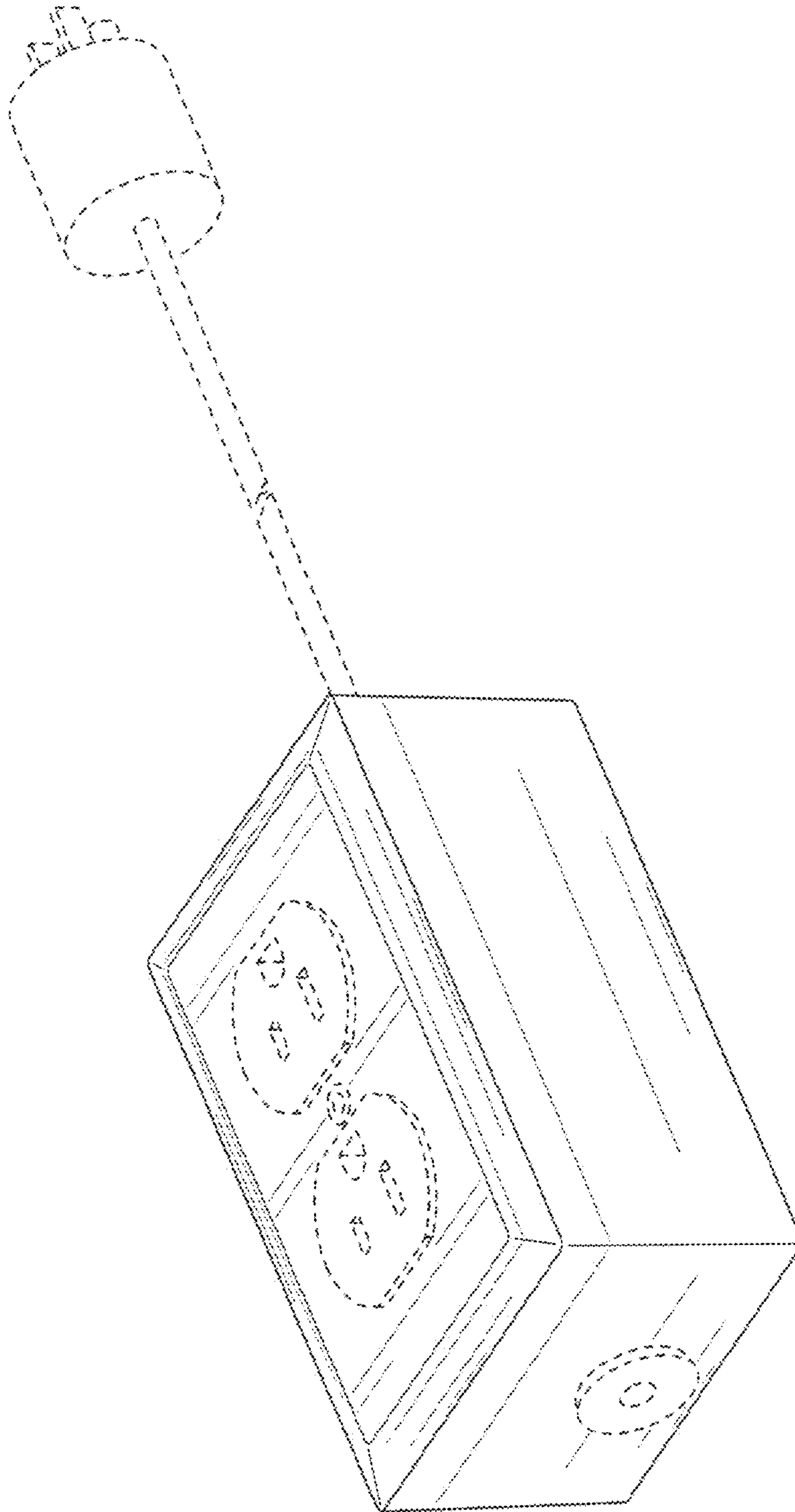


FIG. 8

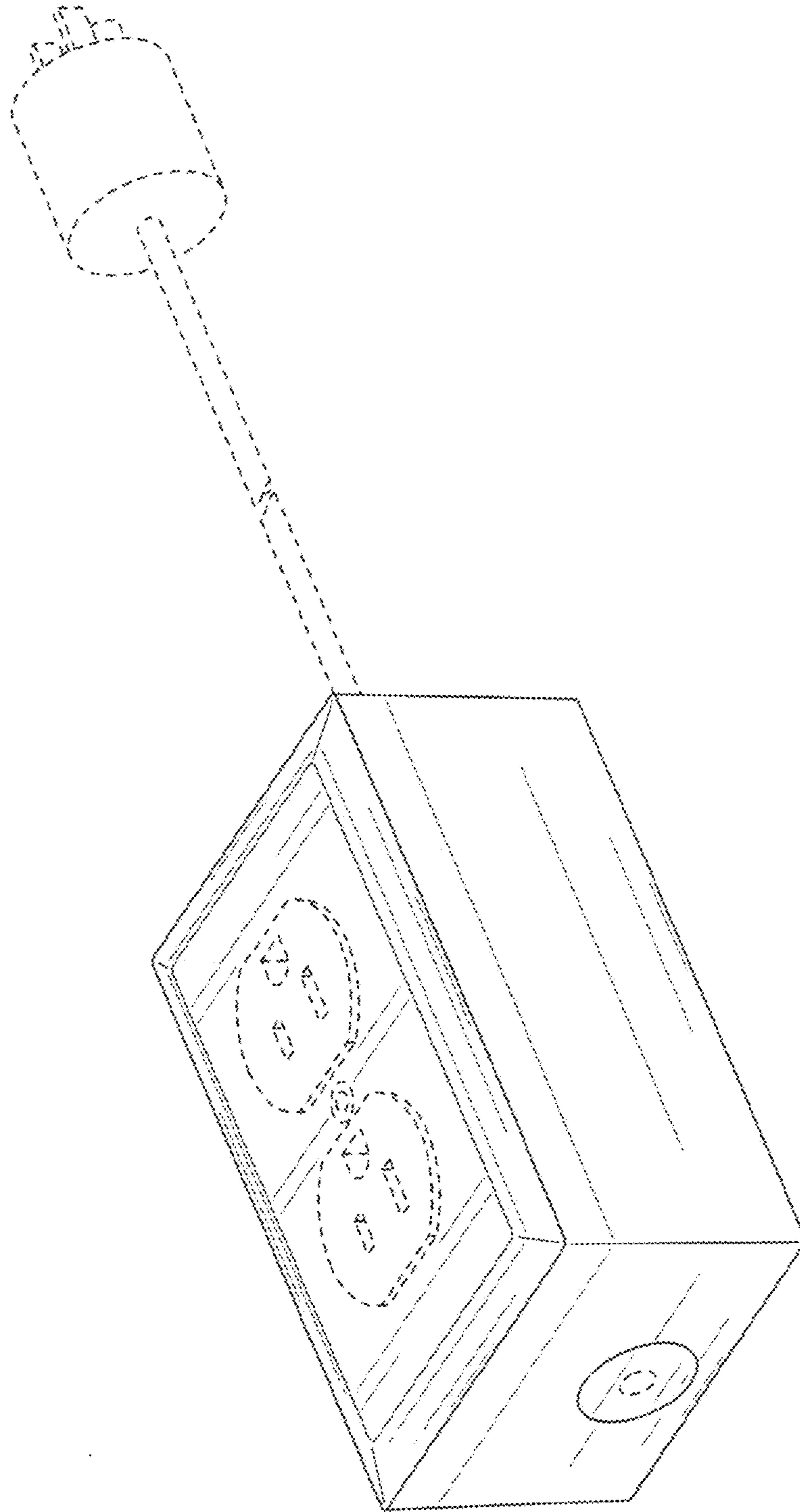


FIG. 9

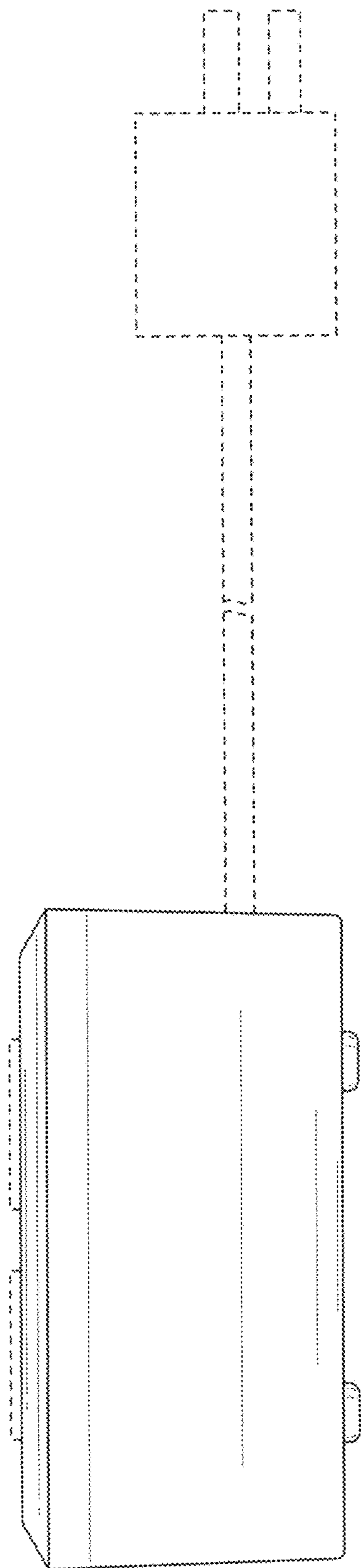


FIG. 10

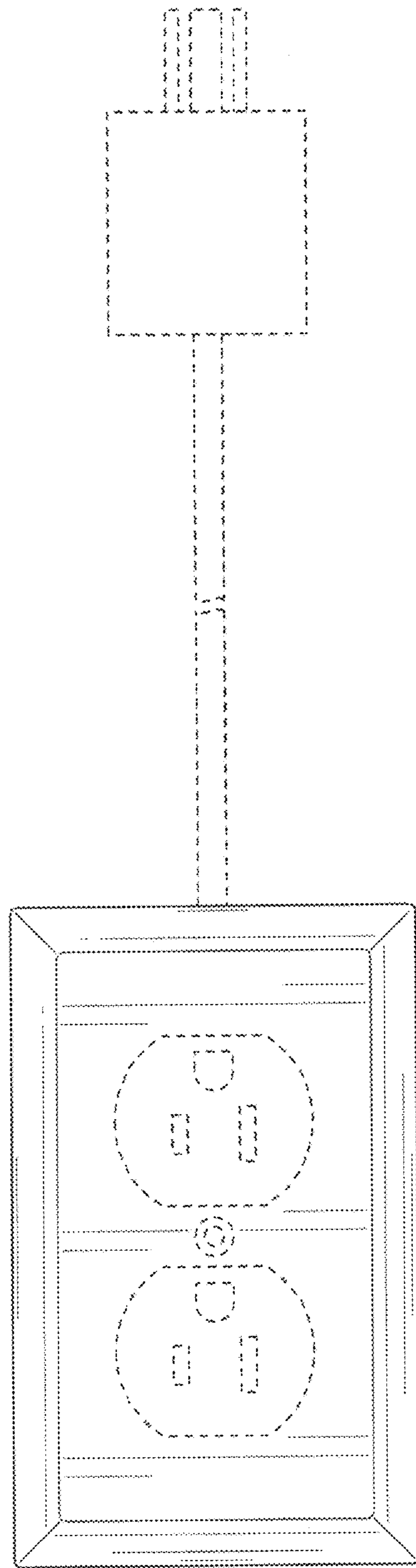


FIG. 11

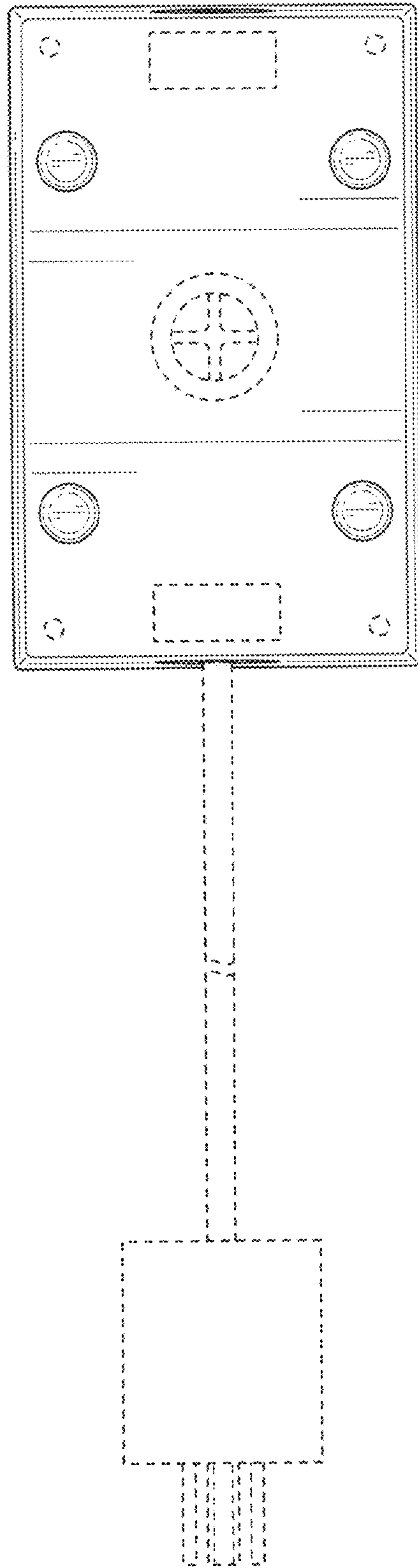


FIG. 12

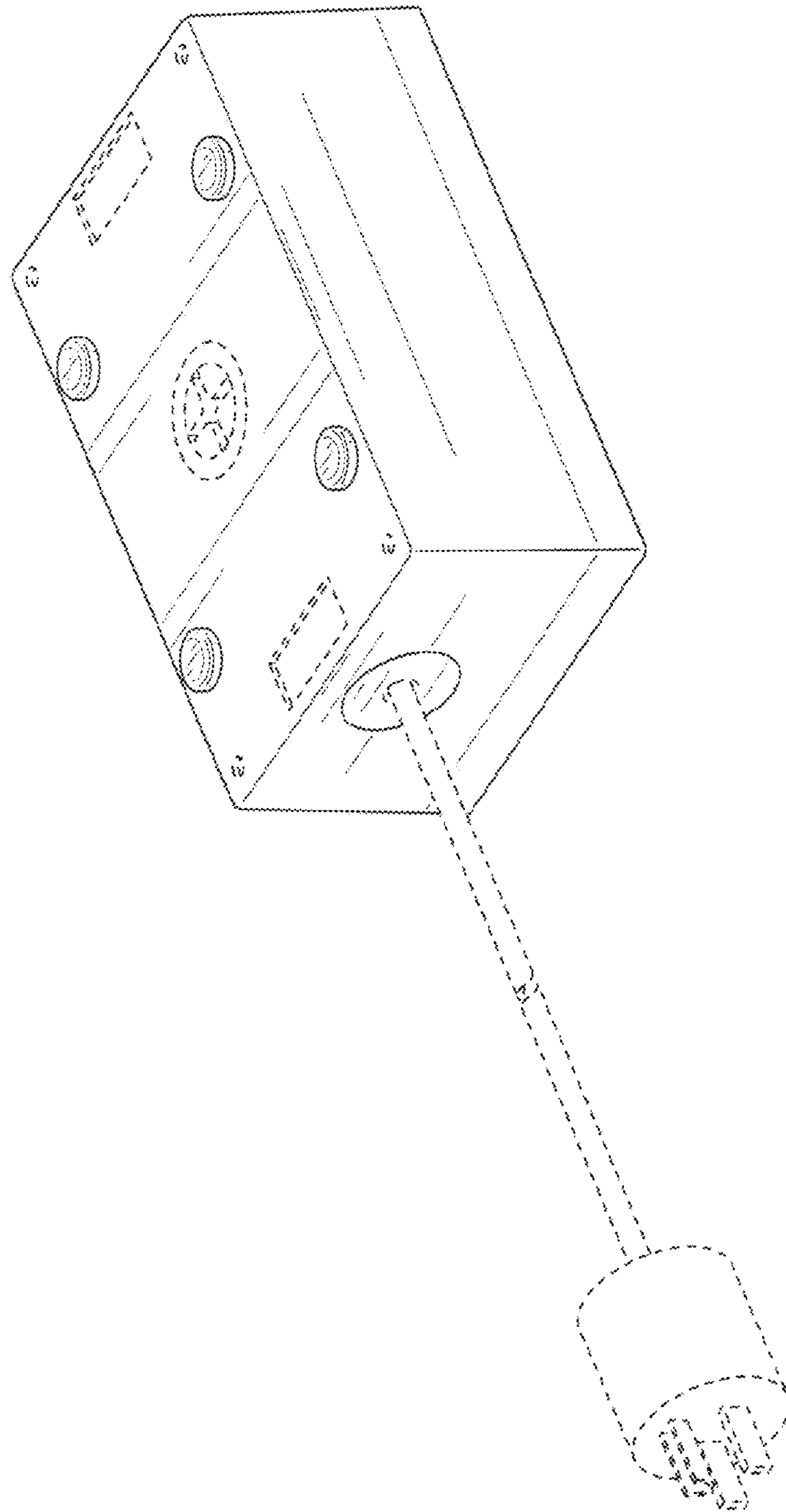


FIG. 13

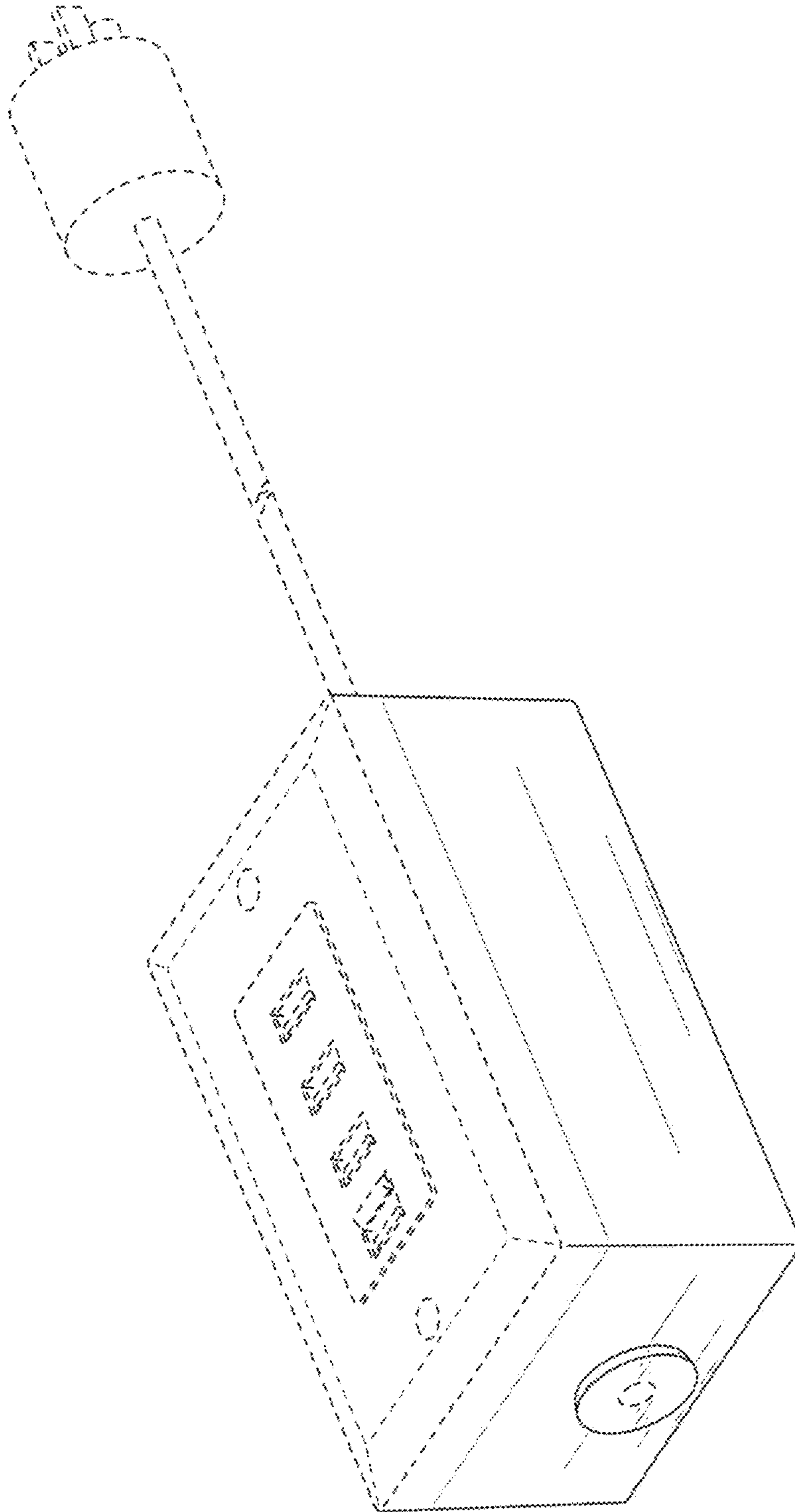


FIG. 14

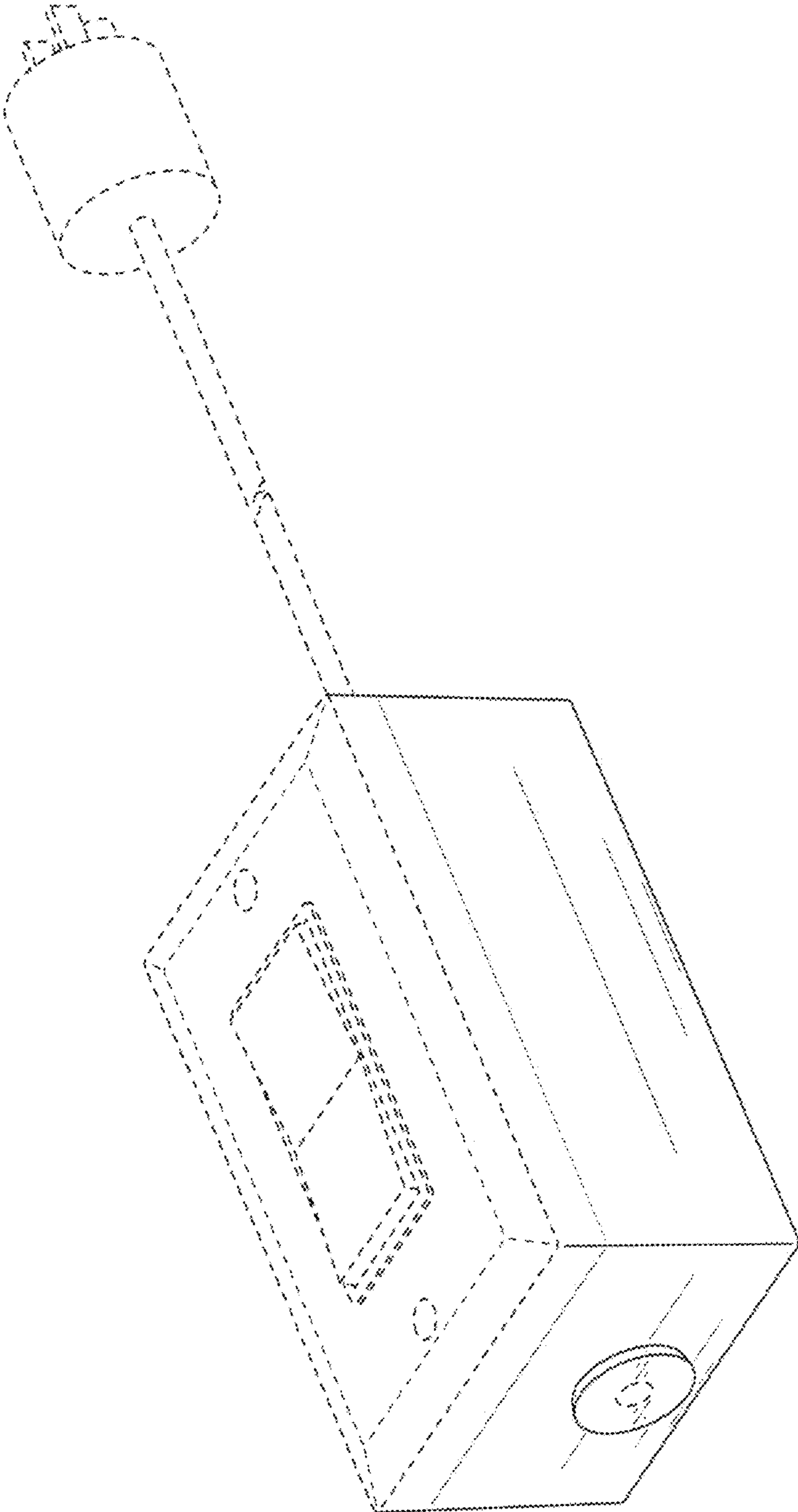


FIG. 15

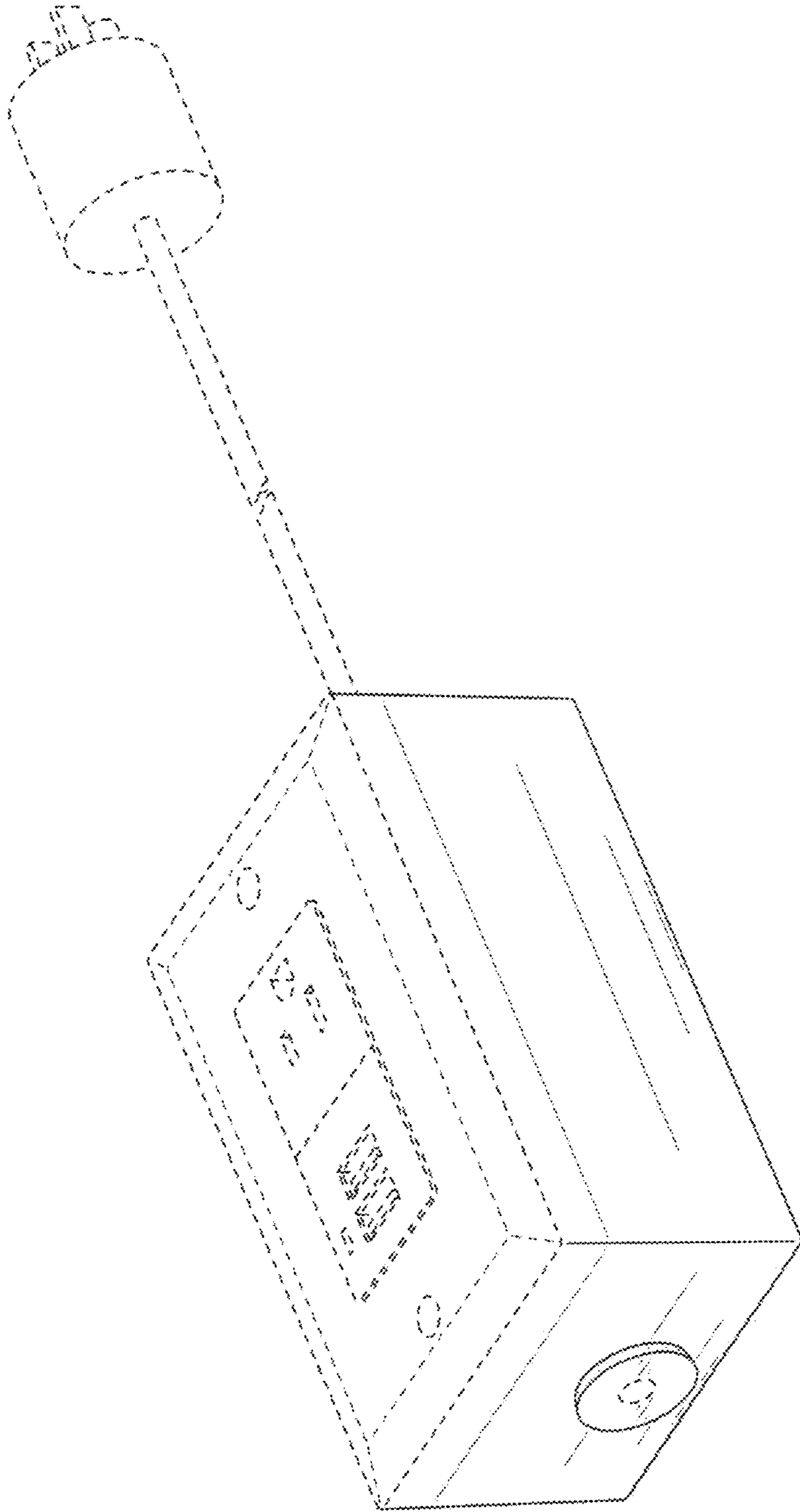


FIG. 16