



US00D724029S

(12) **United States Design Patent**
Huang et al.

(10) **Patent No.:** **US D724,029 S**
(45) **Date of Patent:** **** Mar. 10, 2015**

(54) **ELECTRICAL CONNECTOR**

(71) Applicants: **Chun-Ta Huang**, New Taipei (TW);
Kuan-Chung Shih, New Taipei (TW)

(72) Inventors: **Chun-Ta Huang**, New Taipei (TW);
Kuan-Chung Shih, New Taipei (TW)

(73) Assignee: **Chi Mei Communication Systems, Inc.**, New Taipei (TW)

(**) Term: **14 Years**

(21) Appl. No.: **29/438,117**

(22) Filed: **Nov. 26, 2012**

(30) **Foreign Application Priority Data**

Nov. 2, 2012 (TW) 101306434 A

(51) **LOC (10) Cl.** **13-03**

(52) **U.S. Cl.**
USPC **D13/133**

(58) **Field of Classification Search**
USPC D13/110, 133, 154, 184, 199; D14/217,
D14/256, 299; 439/312

See application file for complete search history.

(56) **References Cited**

U.S. PATENT DOCUMENTS

6,857,890 B2 * 2/2005 Kammerer et al. 439/312
D533,502 S * 12/2006 Wakefield et al. D13/133
D606,944 S * 12/2009 Mehnert et al. D13/154
D678,204 S * 3/2013 Corona D13/133

* cited by examiner

Primary Examiner — Stella Reid

Assistant Examiner — Khawaja Anwar

(74) *Attorney, Agent, or Firm* — Novak Druce Connolly
Bove + Quigg LLP

(57) **CLAIM**

The ornamental design for an electrical connector, as shown and described.

DESCRIPTION

FIG. 1 is a perspective view of an electrical connector showing our new design;

FIG. 2 is a front elevational view thereof;

FIG. 3 is a rear elevational view thereof;

FIG. 4 is a left side elevational view thereof;

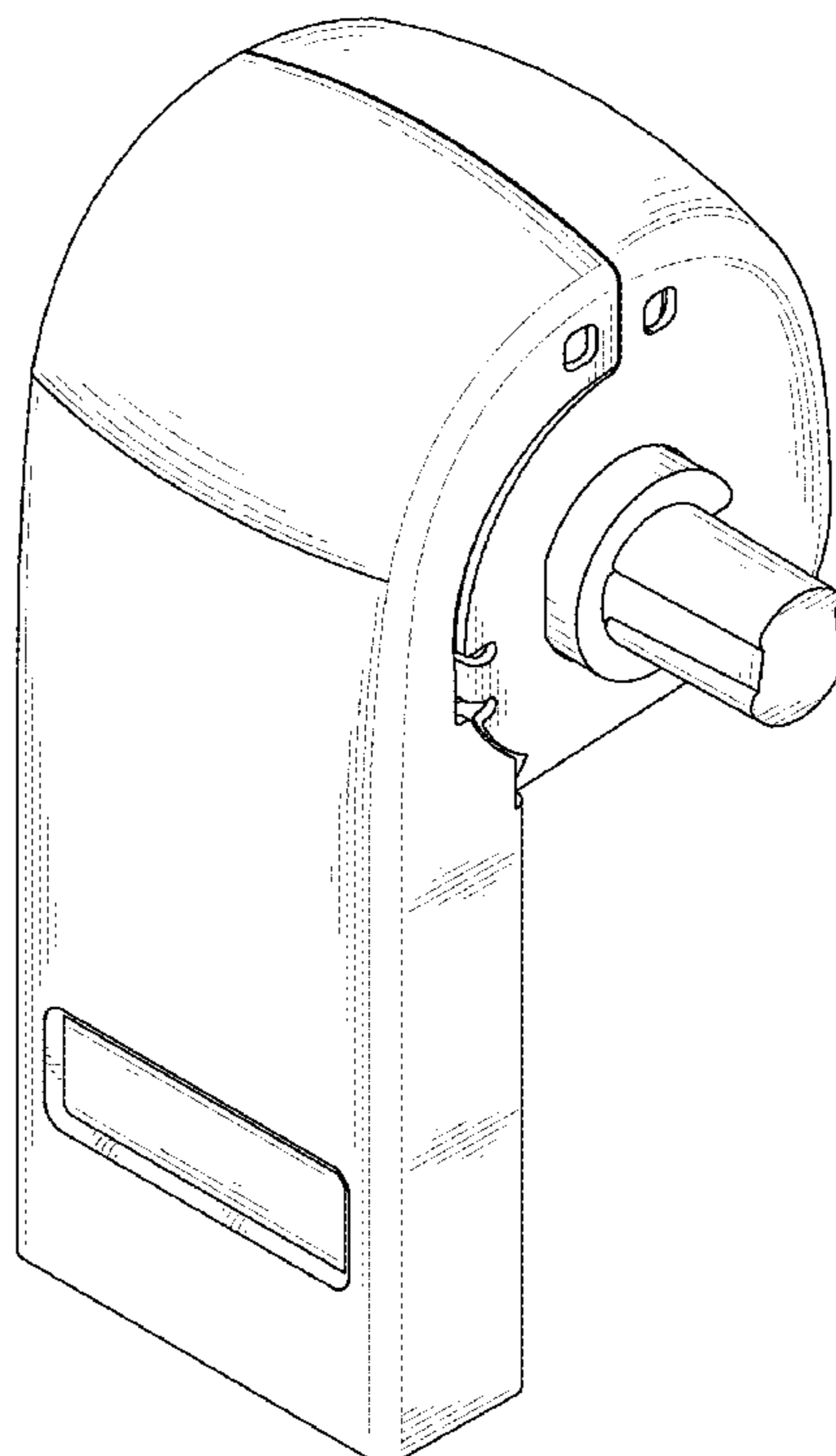
FIG. 5 is a right side elevational view thereof;

FIG. 6 is a top plan view thereof; and,

FIG. 7 is a bottom plan view.

The broken lines in the figure drawings show unclaimed subject matter only and form no part of the claimed design.

1 Claim, 7 Drawing Sheets



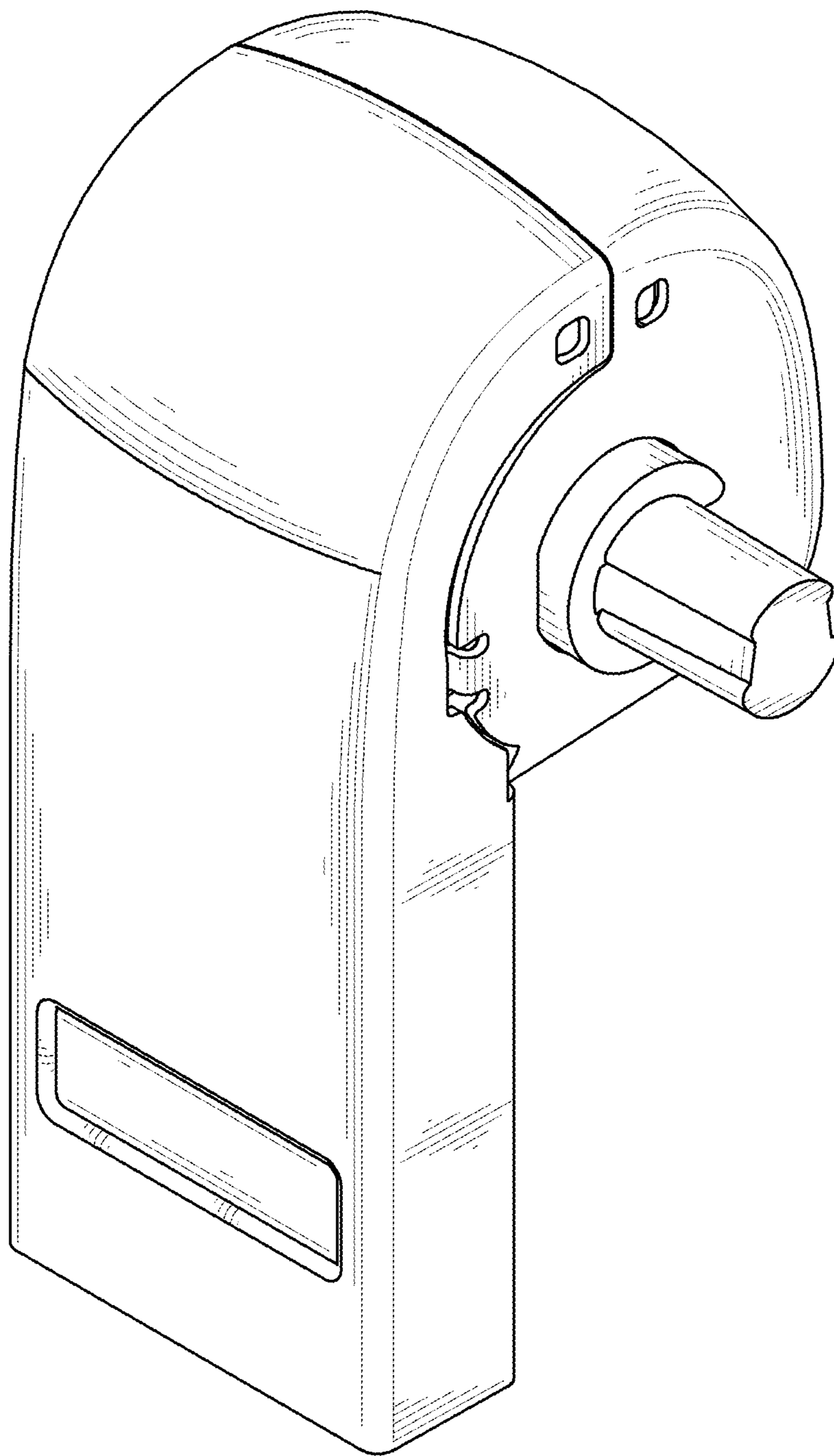


FIG. 1

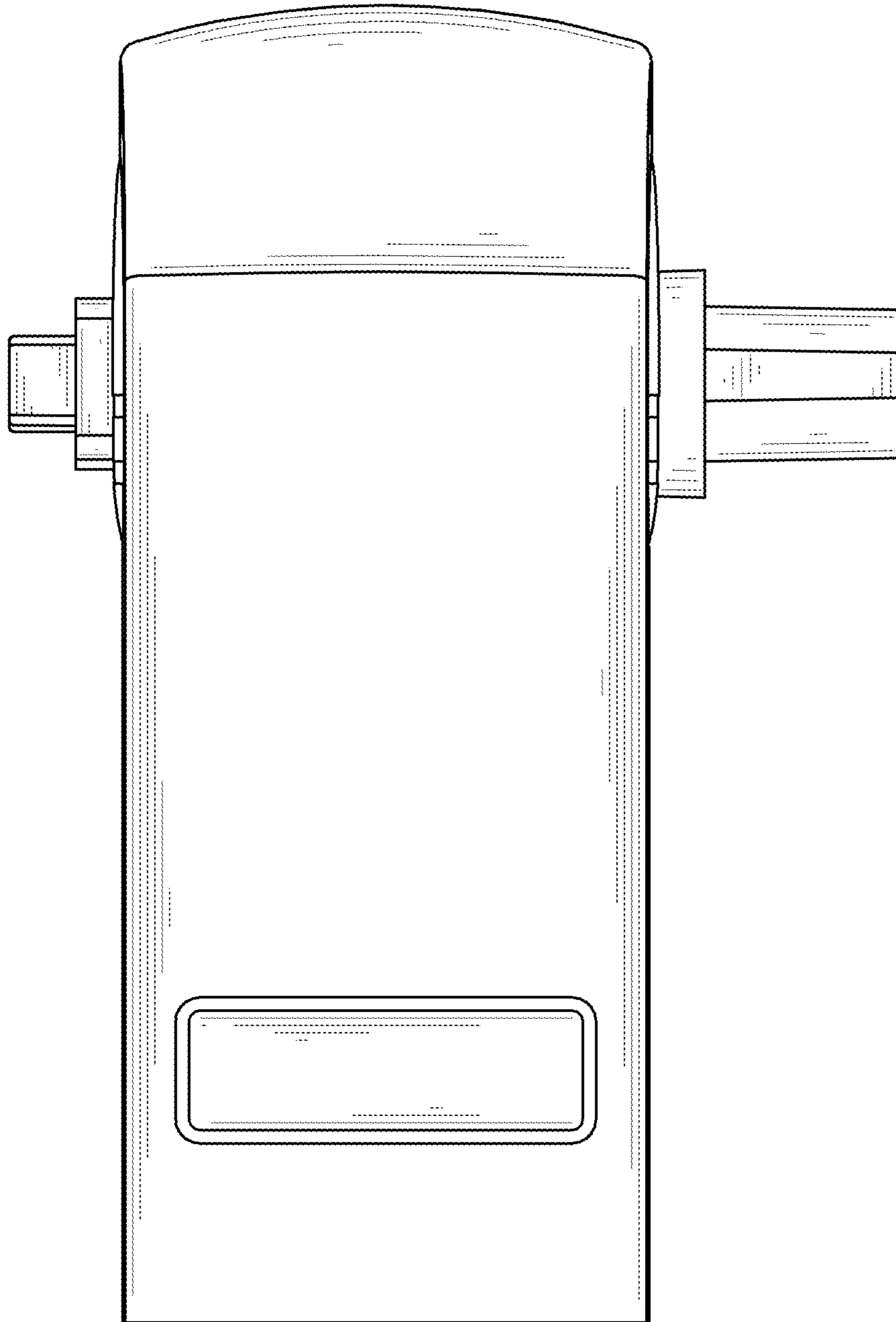


FIG. 2

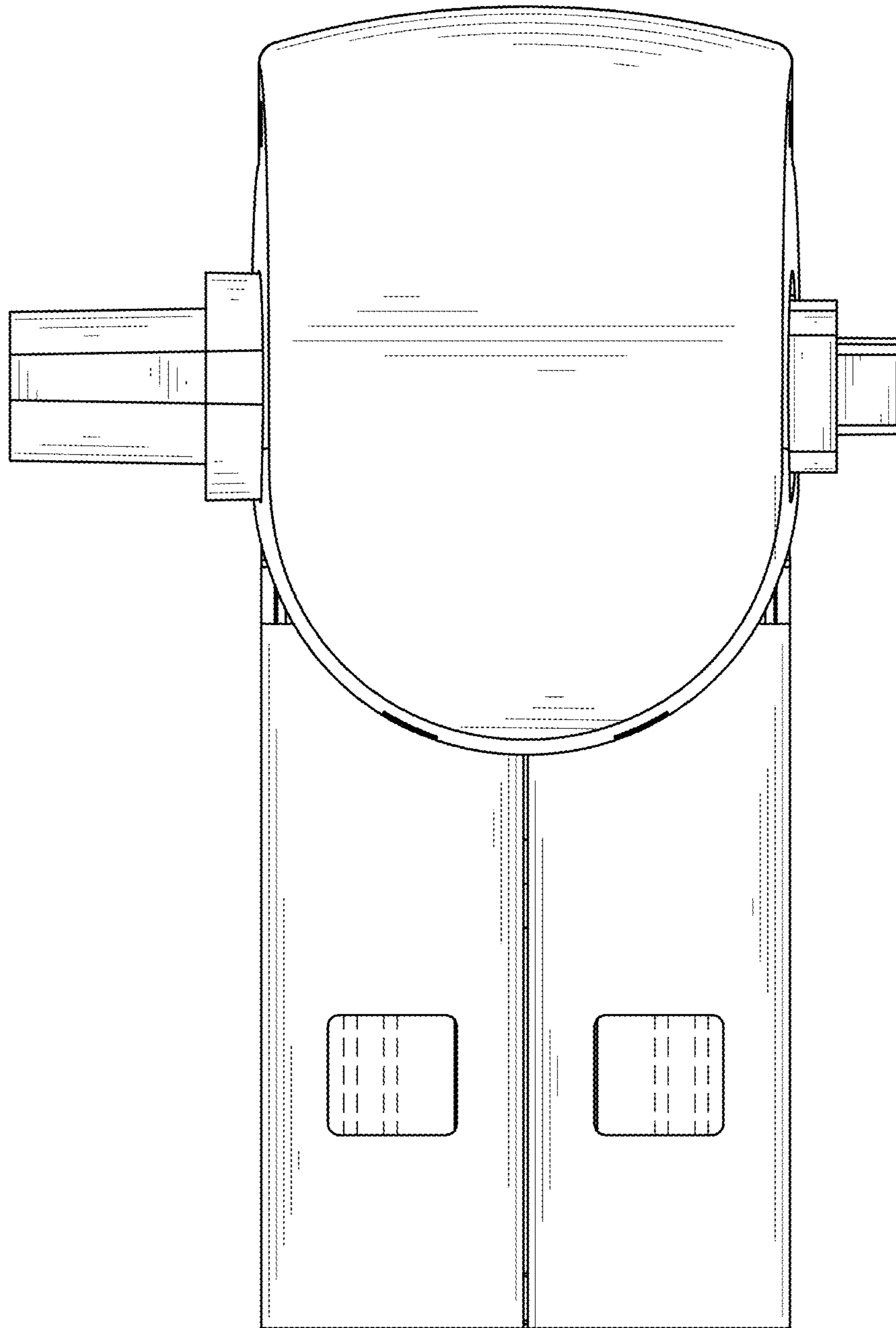


FIG. 3

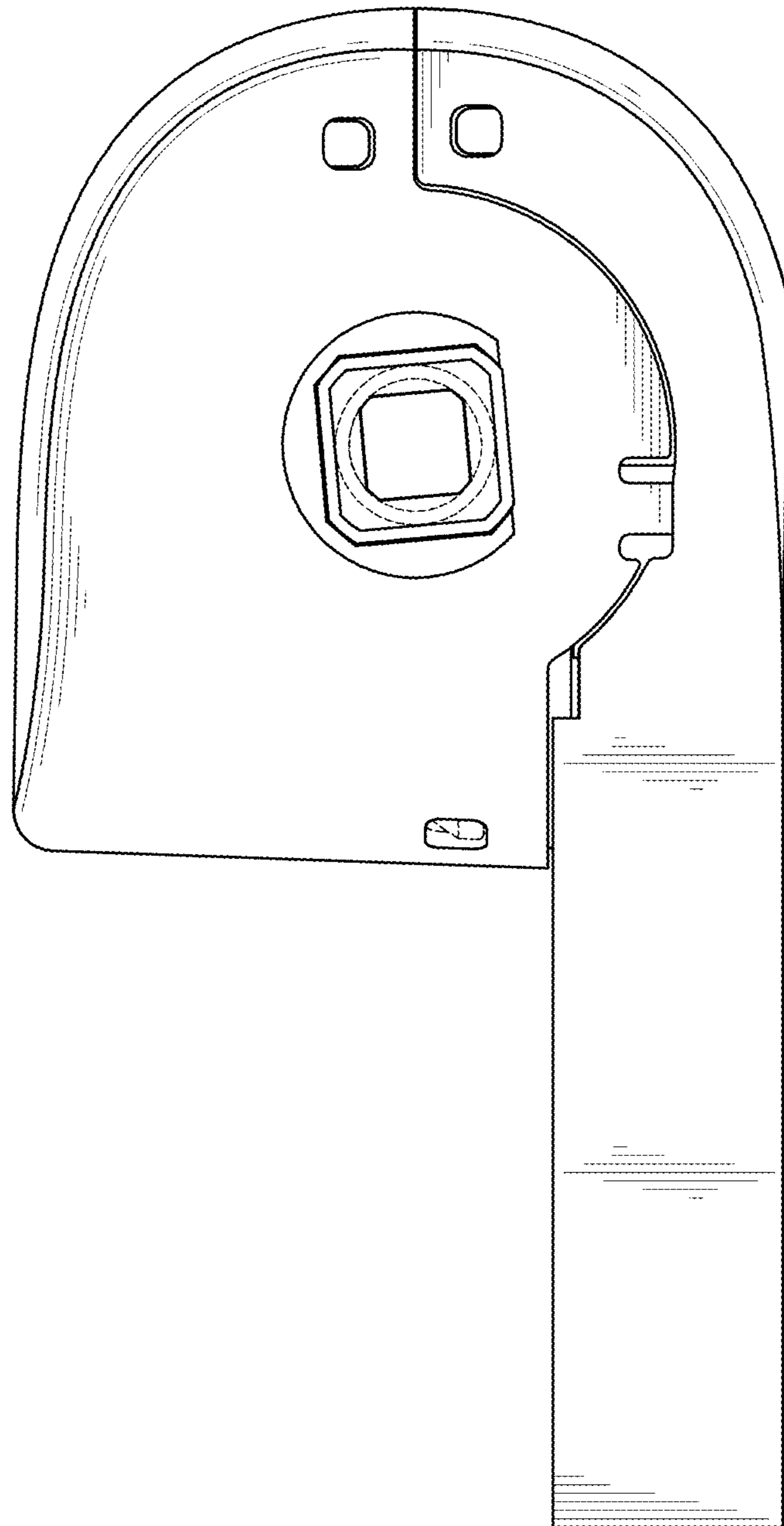


FIG. 4

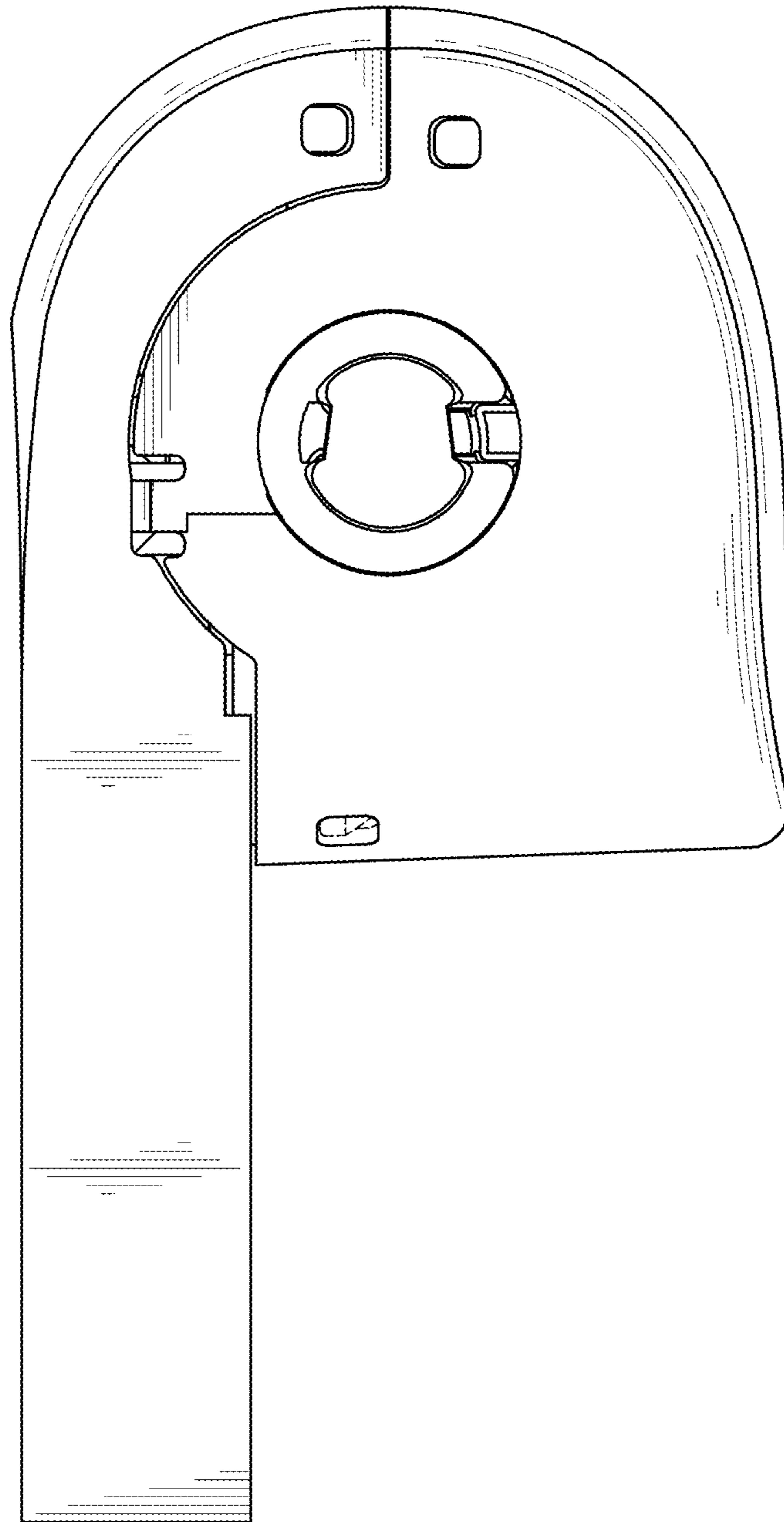


FIG. 5

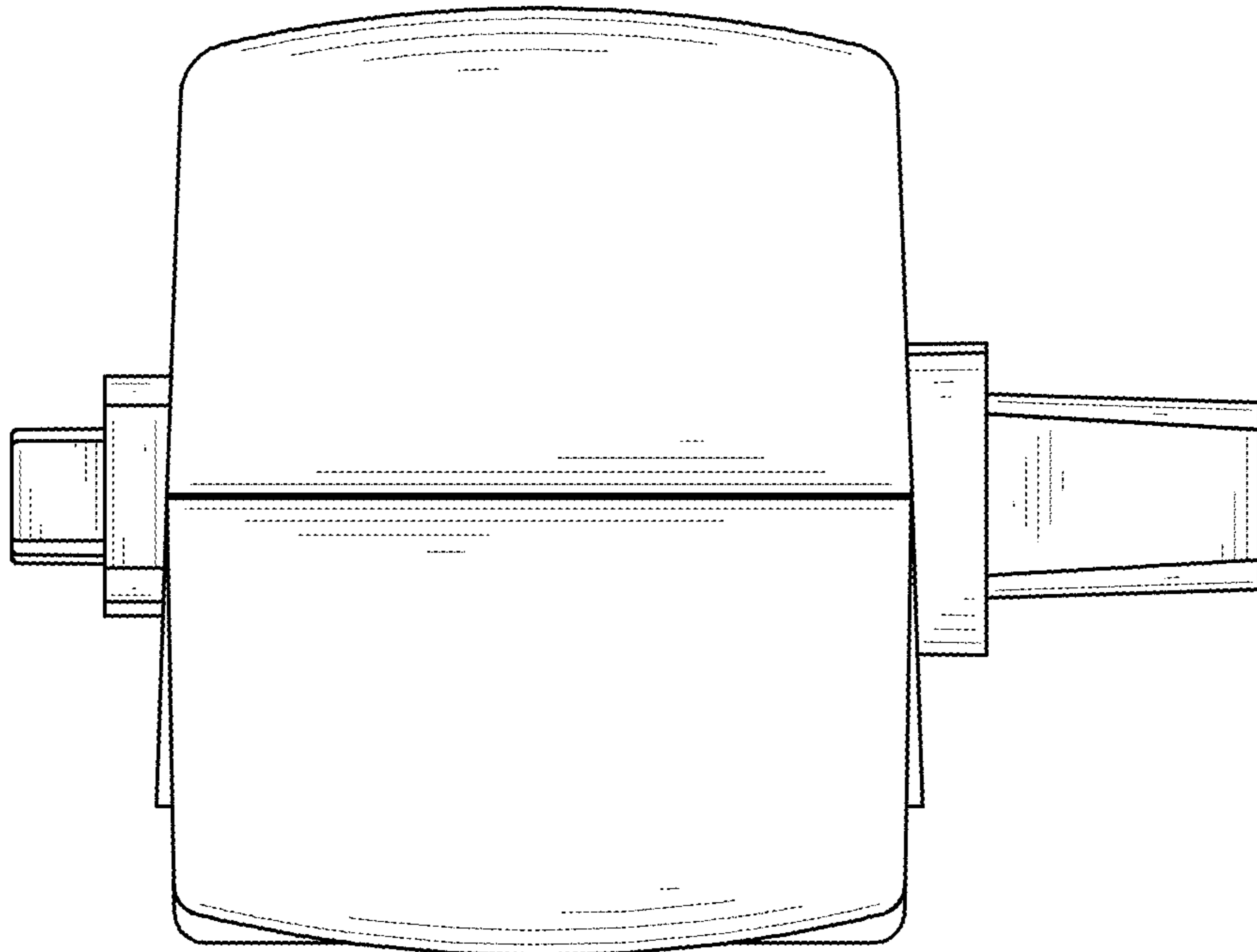


FIG. 6

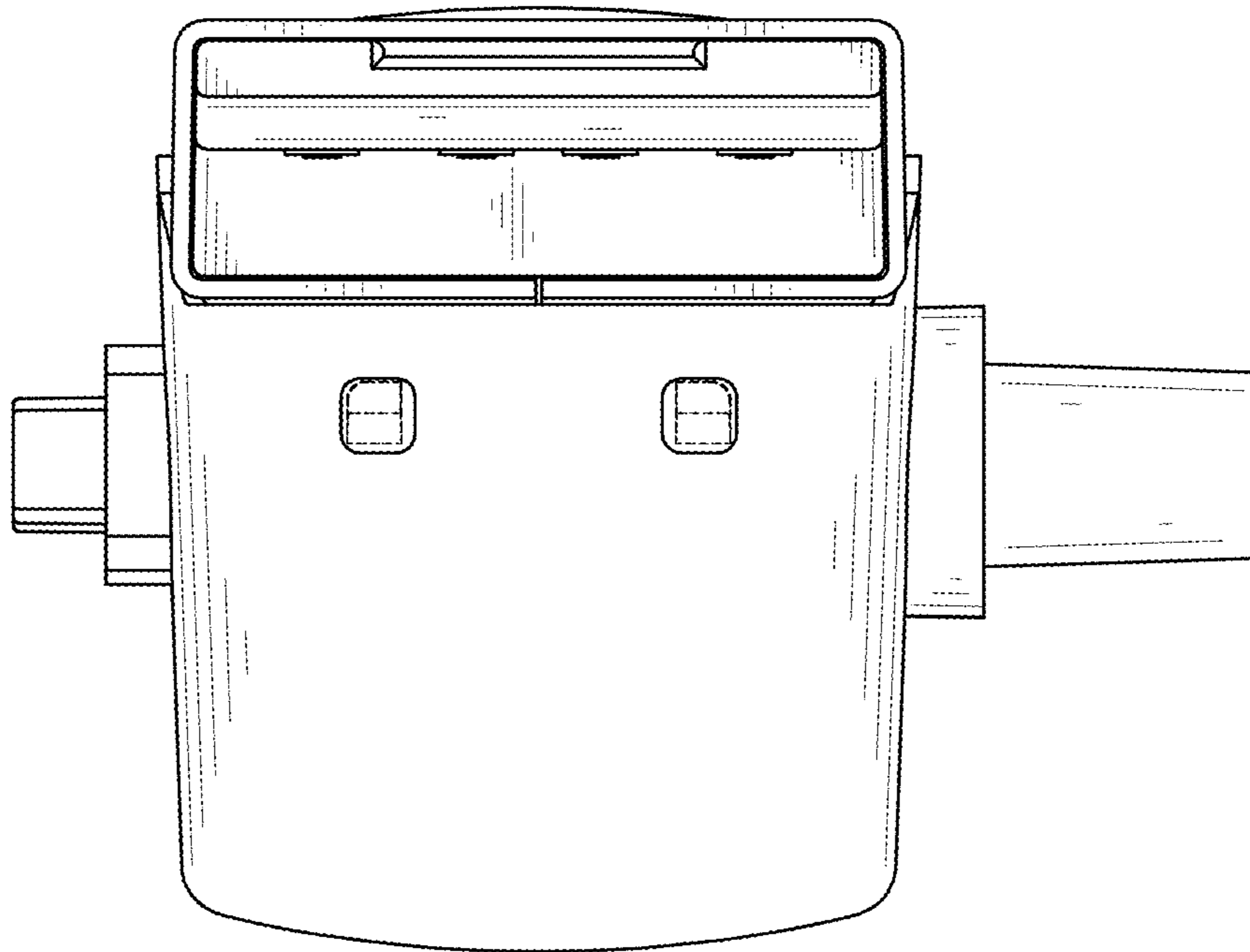


FIG. 7