



US00D724028S

(12) **United States Design Patent**  
**Norman et al.**

(10) **Patent No.:** **US D724,028 S**  
(45) **Date of Patent:** **\*\* Mar. 10, 2015**

(54) **MICROCONTROLLER ASSEMBLY HOUSING FOR A CONSTRUCTION KIT**

(71) Applicant: **Innovation First, Inc.**, Greenville, TX (US)  
(72) Inventors: **David Anthony Norman**, Greenville, TX (US); **Robert H. Mimplitch, III**, Rowlett, TX (US); **Raul Olivera**, Greenville, TX (US); **Douglas Michael Galletti**, Allen, TX (US); **Gregory James Lavender**, Rockwell, TX (US); **Jeffrey Russel Waegelin**, Rockwell, TX (US); **James Anthony Traskos**, Greenville, TX (US); **Kelvin Gunnar Frank**, Greenville, TX (US); **Jason Alan Weihman**, Greenville, TX (US); **Thomas Charles Glick**, Greenville, TX (US); **Arthur Philip Dutra, IV**, Greenville, TX (US); **John Edward Vielkind-Neun**, Greenville, TX (US); **Paul David Copioli**, Rockwell, TX (US)

(73) Assignee: **Innovation First, Inc.**, Greenville, TX (US)

(\*\*) Term: **14 Years**

(21) Appl. No.: **29/488,284**

(22) Filed: **Apr. 17, 2014**

(51) **LOC (10) Cl.** ..... **13-03**

(52) **U.S. Cl.**  
USPC ..... **D13/123; D13/158**

(58) **Field of Classification Search**  
CPC ..... A63H 33/101; A63H 29/00; A63H 30/00; A63H 30/005; H01B 17/00; H01B 17/56; H01H 2003/008  
USPC ..... D13/110, 112, 122-133, 158-161, 184, D13/199; D15/199; D21/484, 486, 487, D21/491, 501, 504; 315/152, 158, 560; 361/622, 627, 628, 643

See application file for complete search history.

(56) **References Cited**

U.S. PATENT DOCUMENTS

D261,757	S	*	11/1981	Wunderlich	.....	D34/31
D407,178	S	*	3/1999	Evans	.....	D34/38
D559,778	S	*	1/2008	Tsuzuki et al.	.....	D13/110
D562,765	S	*	2/2008	Tsuzuki et al.	.....	D13/110
8,002,241	B1	*	8/2011	Shaw	.....	254/88
D707,276	S	*	6/2014	Norman et al.	.....	D15/199
D711,974	S	*	8/2014	Norman et al.	.....	D21/491
D715,221	S	*	10/2014	Lin	.....	D13/110

(Continued)

*Primary Examiner* — Thomas Johannes

*Assistant Examiner* — Shawn T Gingrich

(74) *Attorney, Agent, or Firm* — Adam K. Sacharoff; Much Shelist

(57) **CLAIM**

The ornamental design for a microcontroller assembly housing for a construction kit, as shown and described.

**DESCRIPTION**

FIG. 1 is a top front perspective view of a microcontroller assembly housing for a construction kit in accordance with the invention;

FIG. 2 is a top rear perspective view of FIG. 1;

FIG. 3 is another top rear perspective view of FIG. 1;

FIG. 4 is a bottom front perspective view of FIG. 1;

FIG. 5 is another bottom front perspective view of FIG. 1;

FIG. 6 is front side view of FIG. 1;

FIG. 7 is a rear side view of FIG. 1;

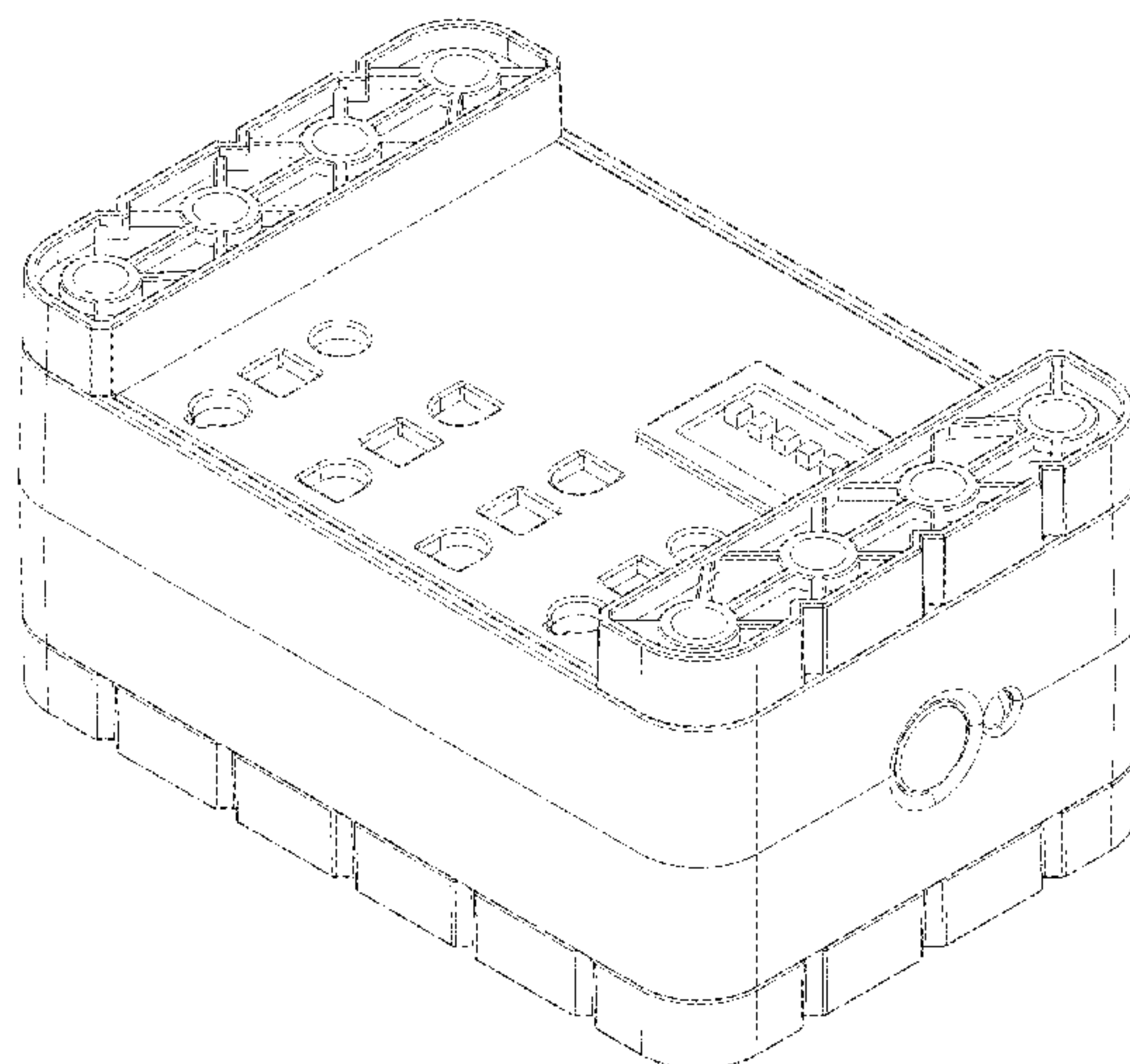
FIG. 8 is a right side view of FIG. 1;

FIG. 9 is a left side view of FIG. 1;

FIG. 10 is a top side view of FIG. 1; and,

FIG. 11 is a bottom side view of FIG. 1.

**1 Claim, 11 Drawing Sheets**



(56)

**References Cited**

U.S. PATENT DOCUMENTS

D715,873 S \* 10/2014 Norman et al. .... D21/504  
D715,874 S \* 10/2014 Norman et al. .... D21/504

D716,384 S \* 10/2014 Norman et al. .... D21/504  
D716,879 S \* 11/2014 Norman et al. .... D21/486  
D718,715 S \* 12/2014 Si ..... D13/110

\* cited by examiner

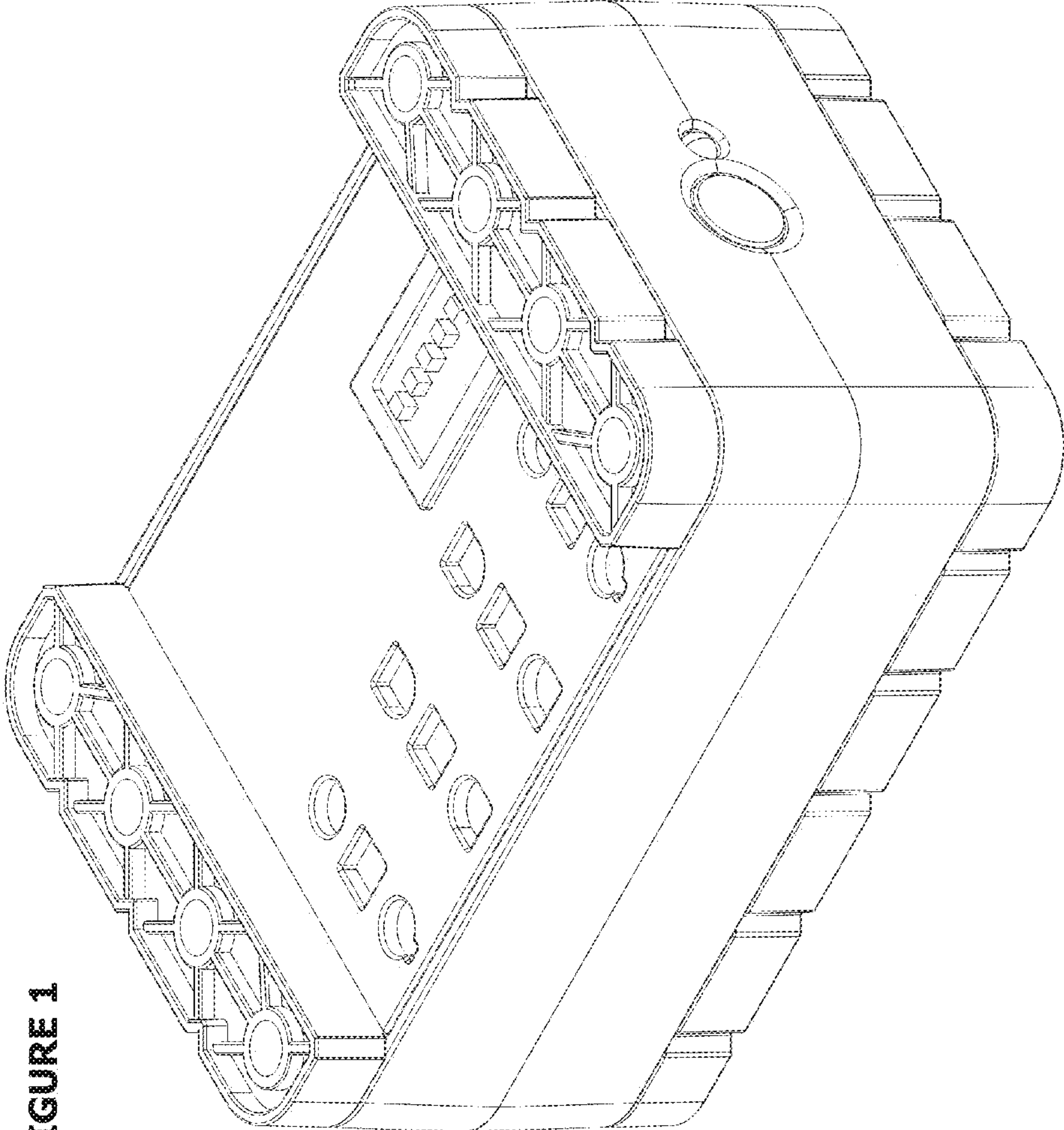


FIGURE 1

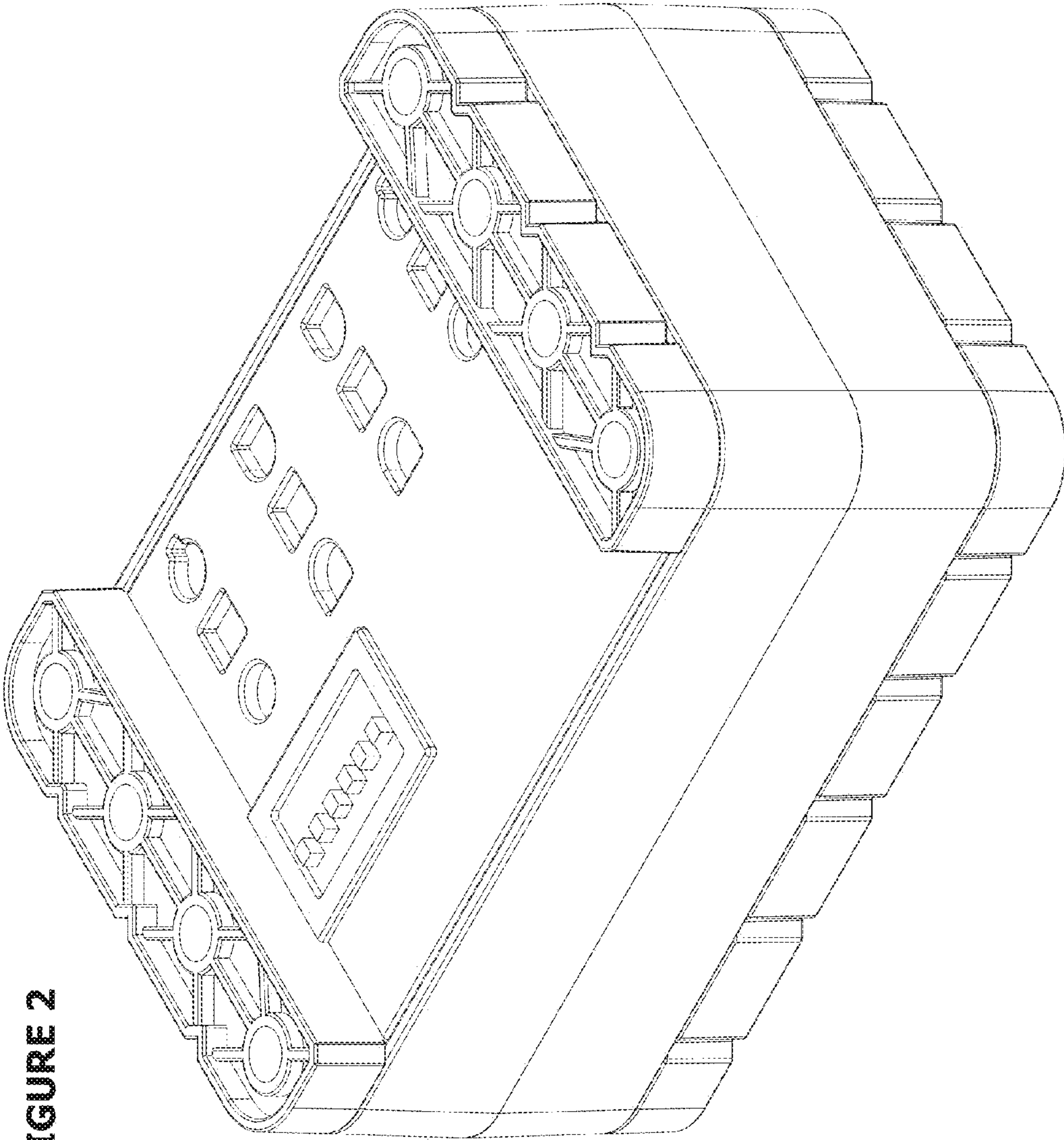


FIGURE 2



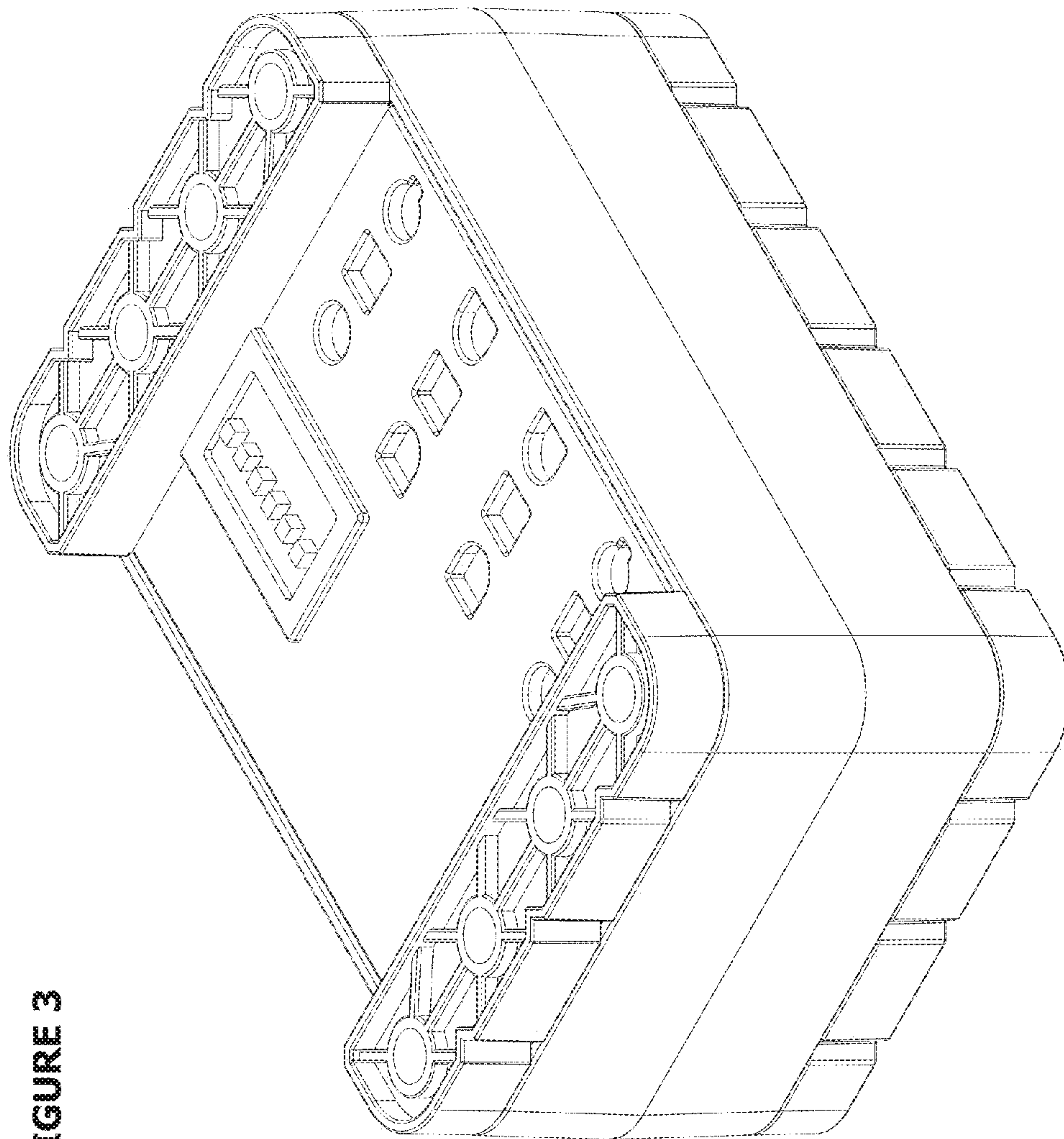


FIGURE 3

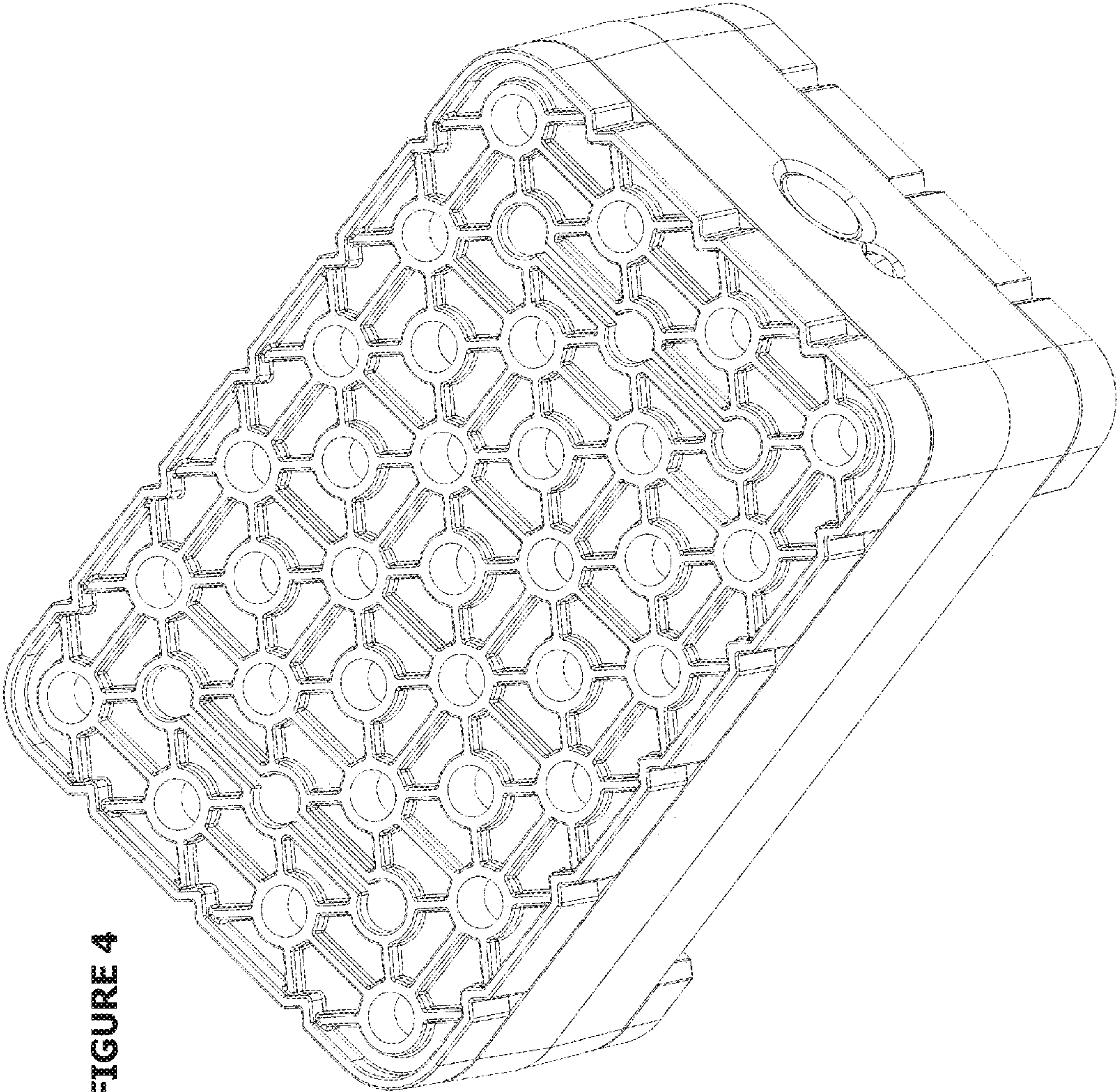


FIGURE 4



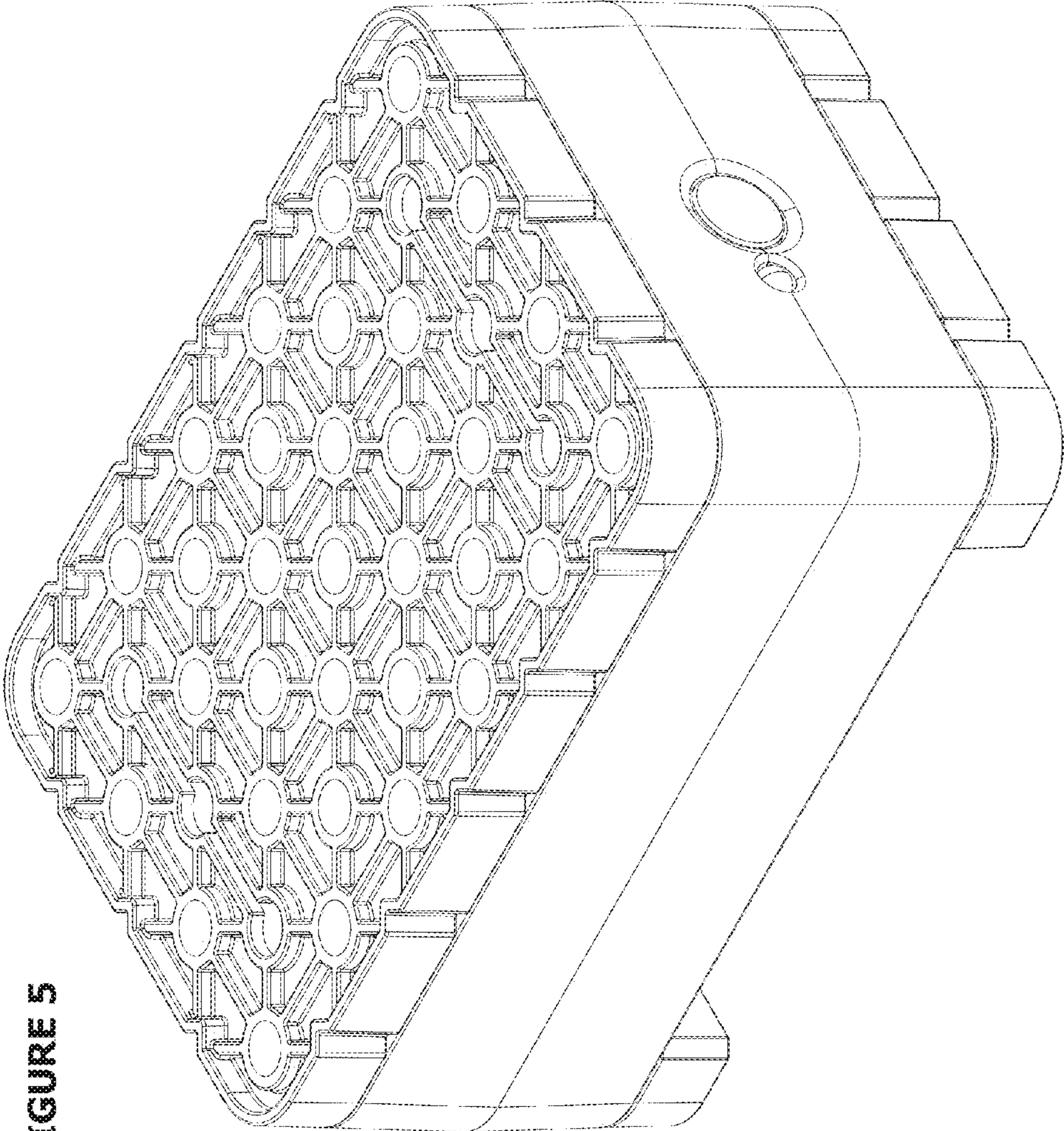


FIGURE 5

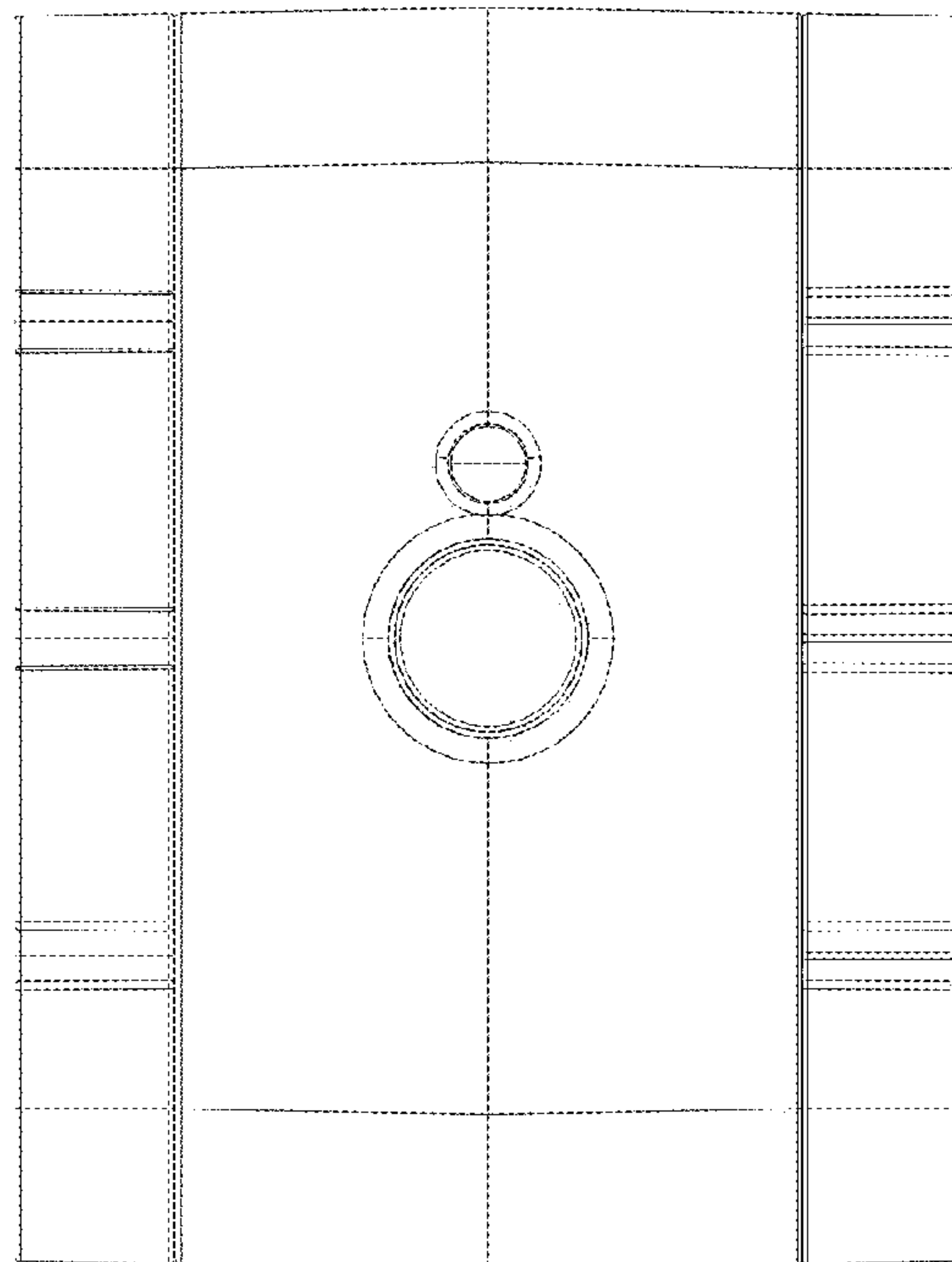


FIGURE 6



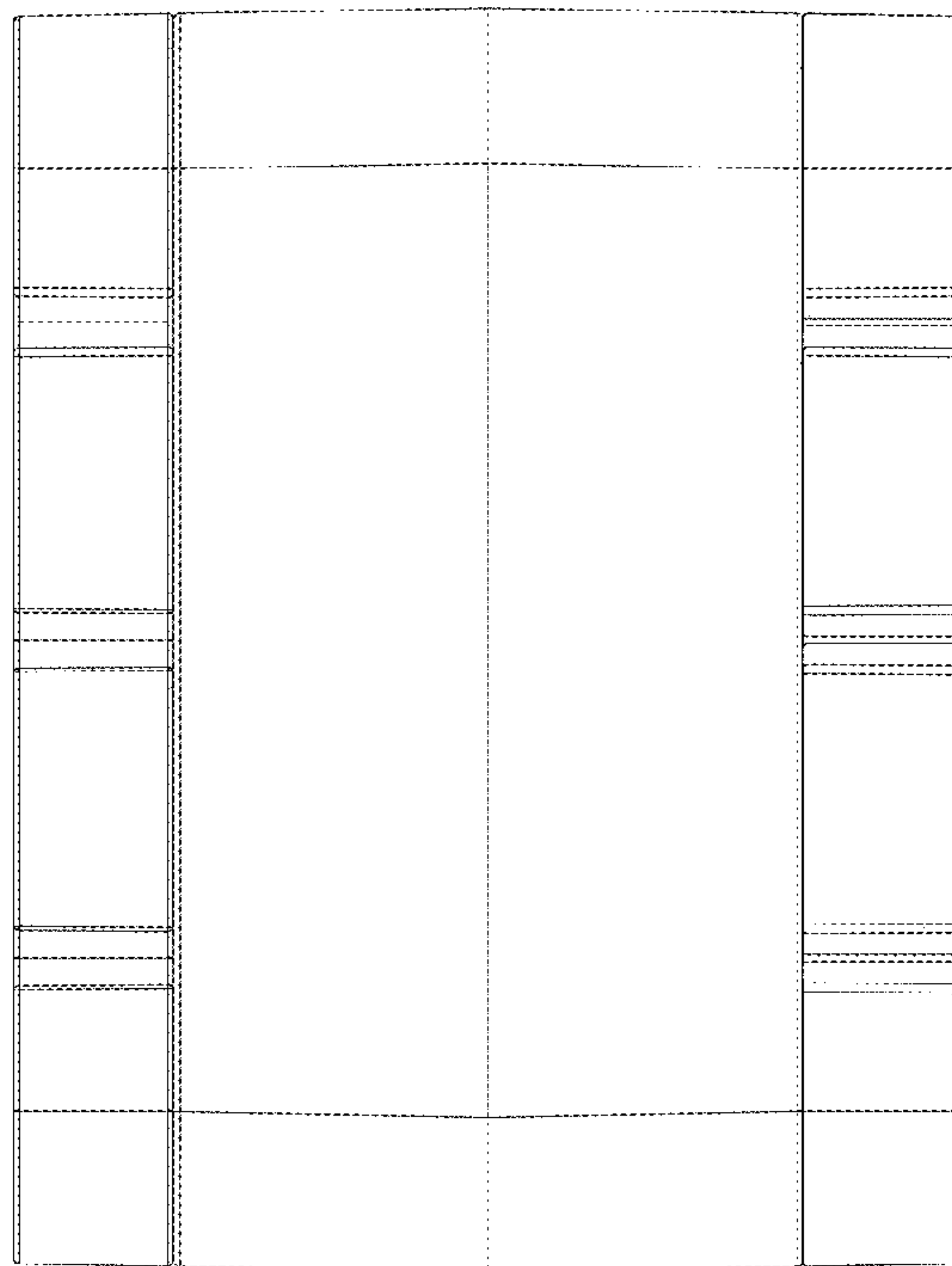


FIGURE 7

FIGURE 8

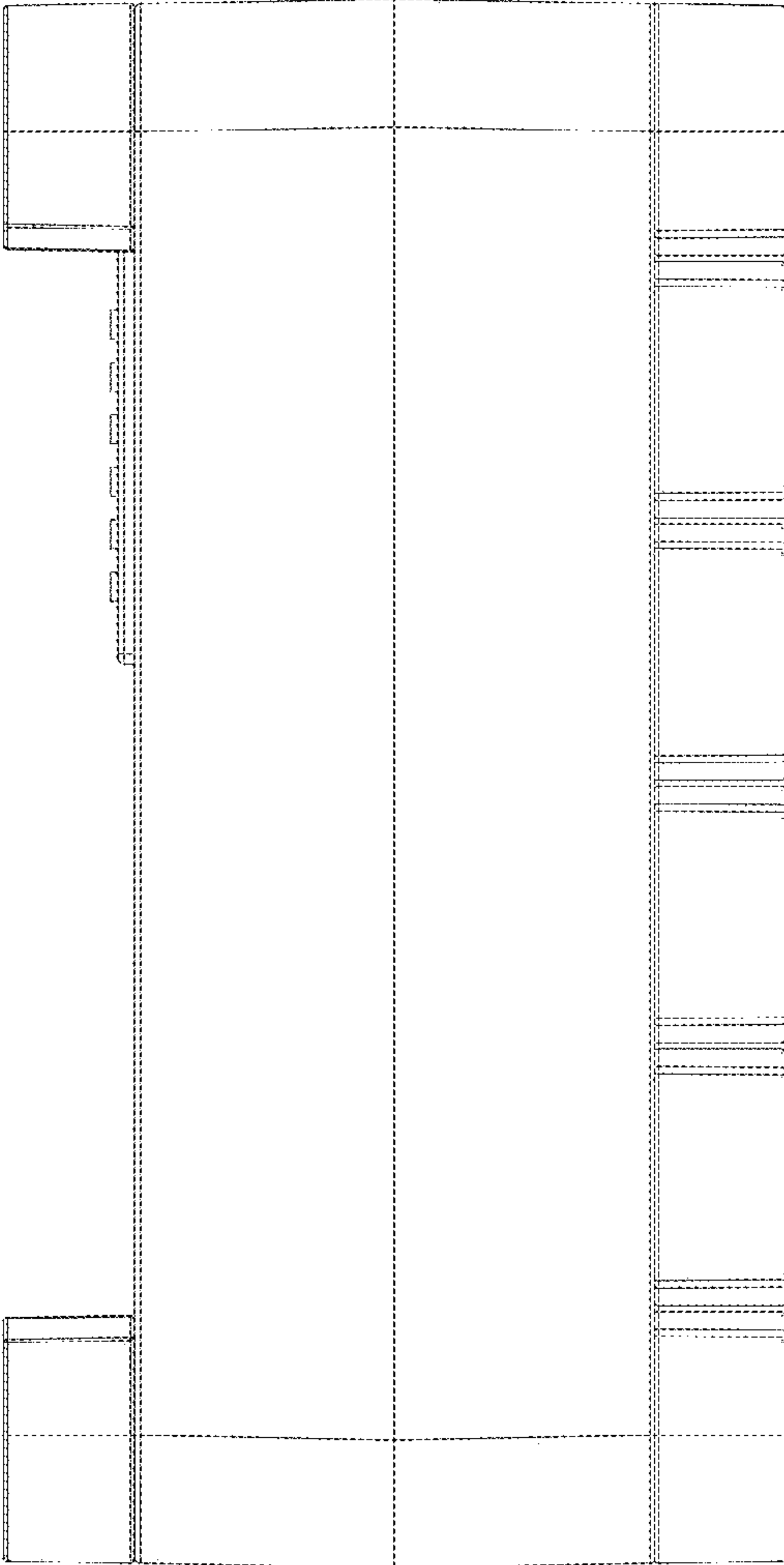


FIGURE 9

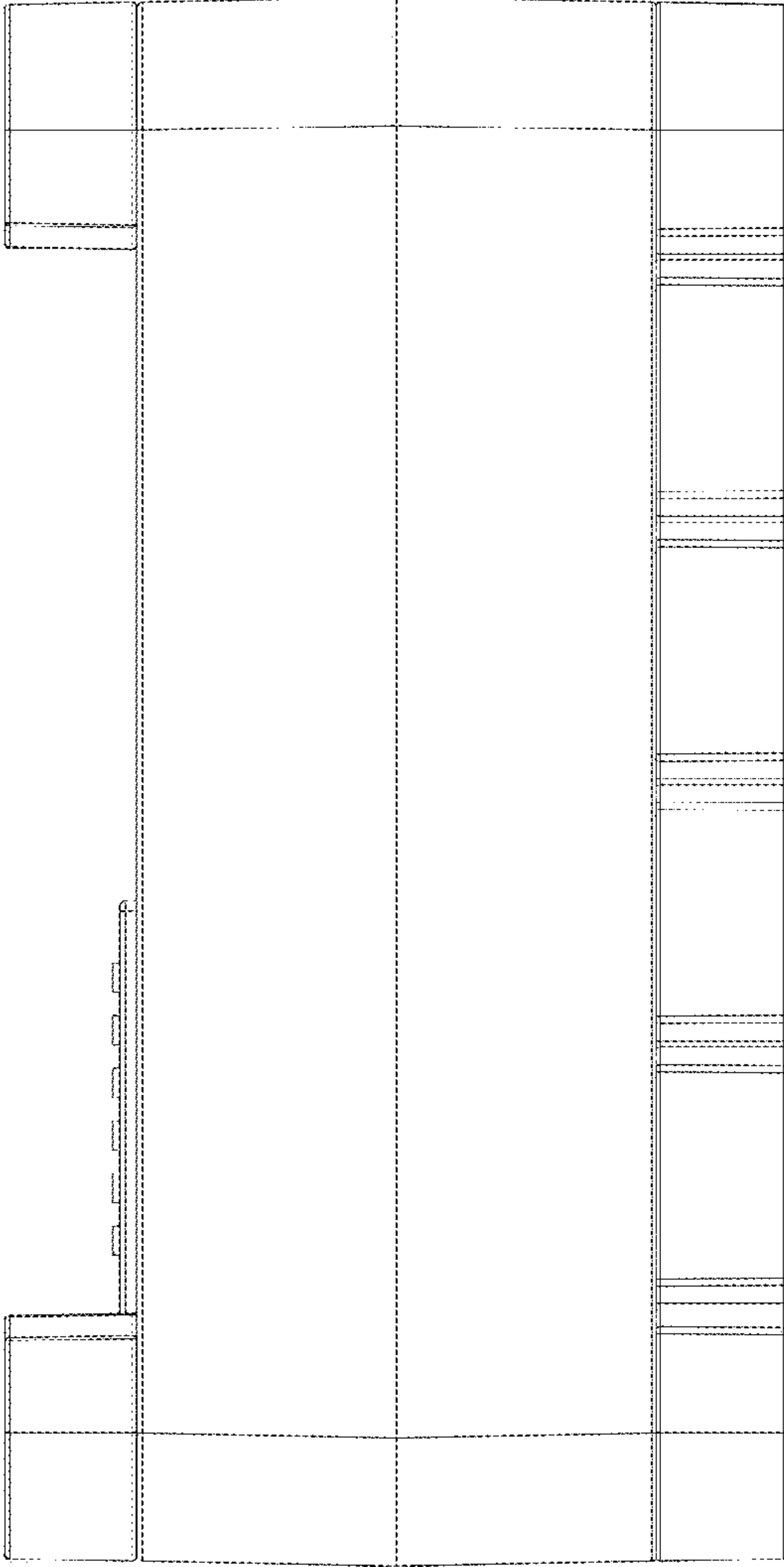
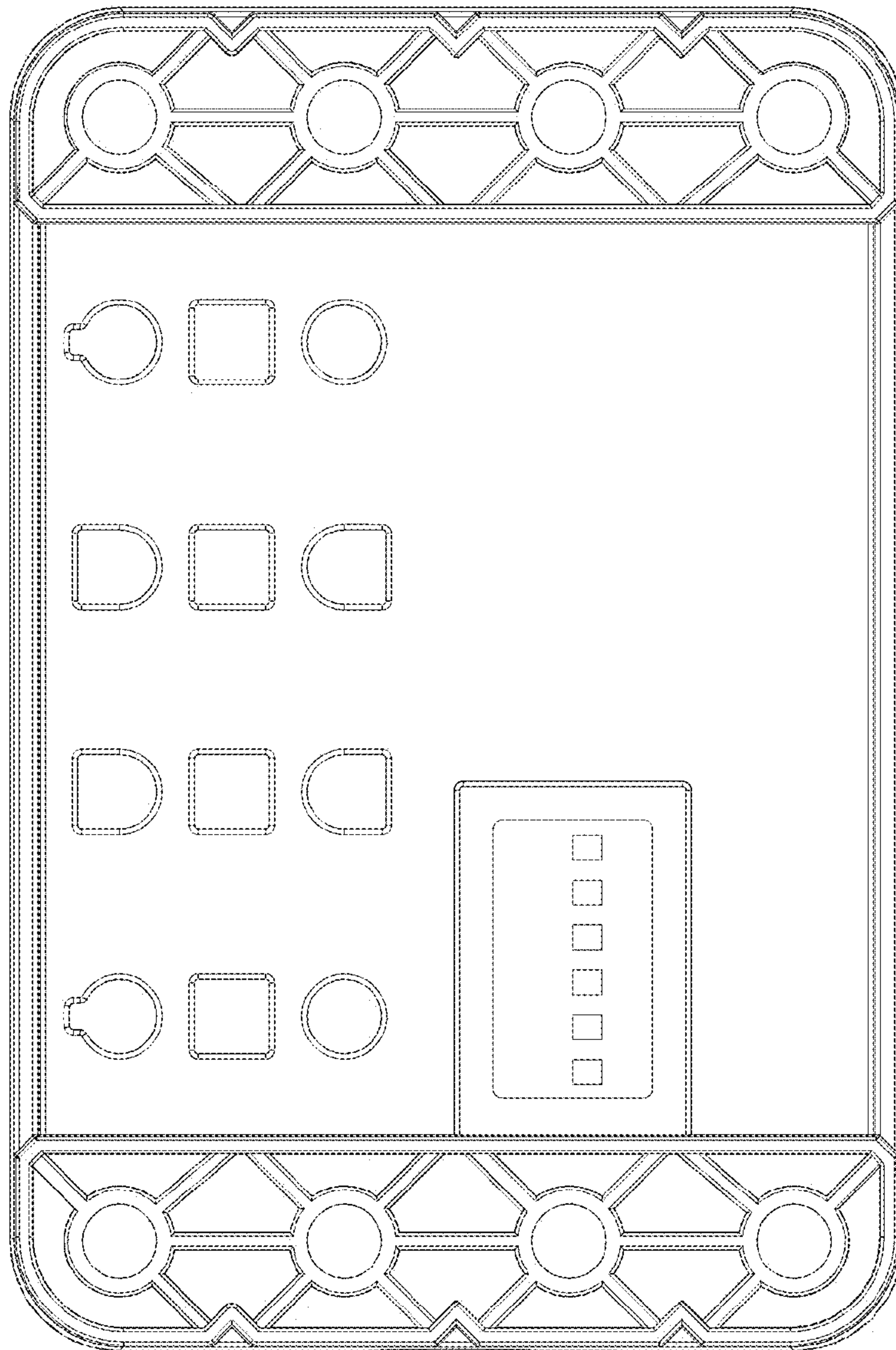




FIGURE 10



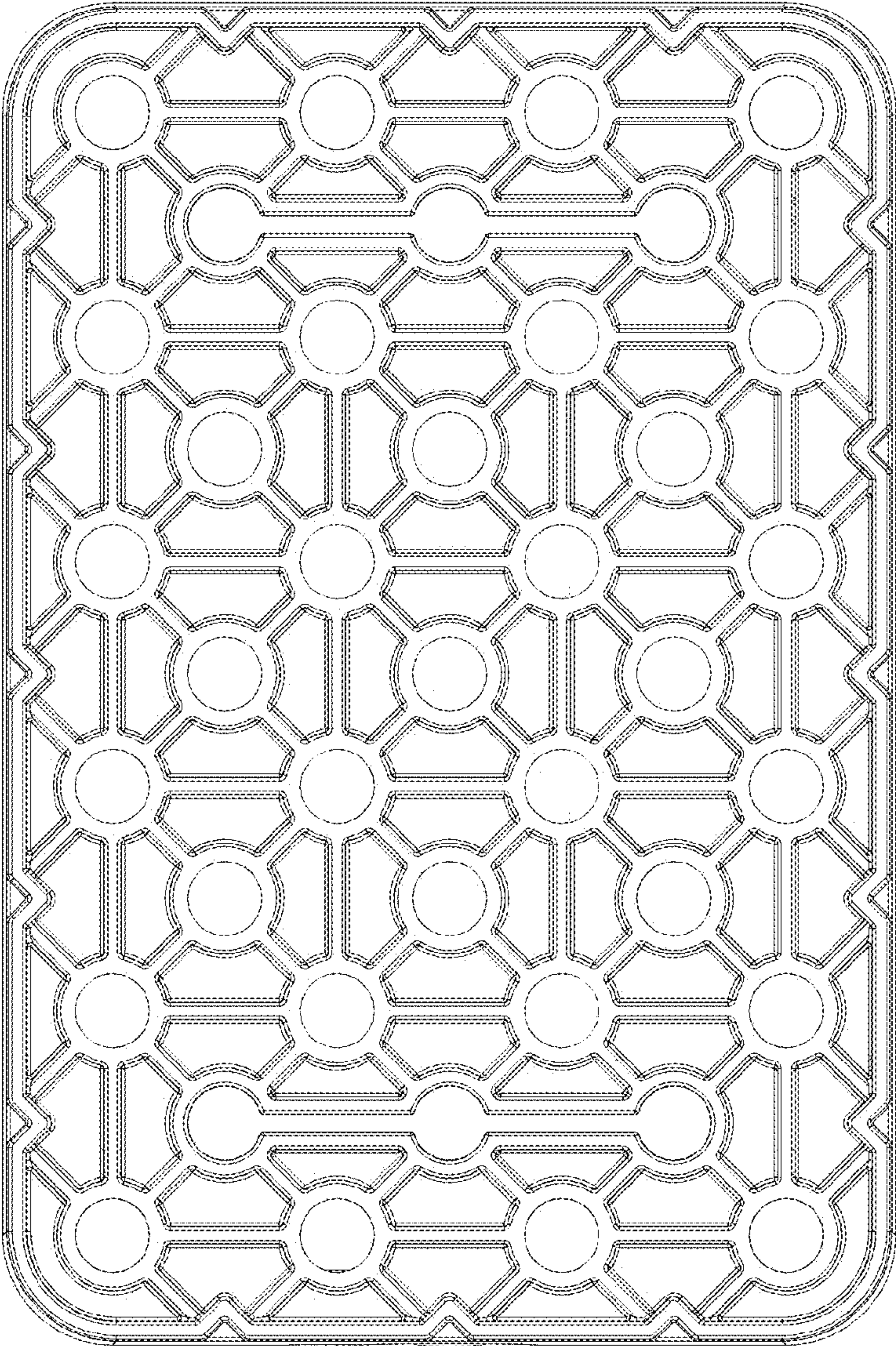


FIGURE 11