



US00D724027S

(12) **United States Design Patent**
Bitsch et al.

(10) **Patent No.:** **US D724,027 S**
(45) **Date of Patent:** **** Mar. 10, 2015**

(54) **WIND TURBINE NACELLE**

(56) **References Cited**

(71) Applicant: **Vestas Wind Systems A/S**, Aarhus N (DK)
(72) Inventors: **Michael Lundgaard Bitsch**, Langa (DK); **Frederik Rytter**, Aarhus N (DK)
(73) Assignee: **Vestas Wind Systems A/S**, Aarhus N. (DK)

U.S. PATENT DOCUMENTS

D271,303 S * 11/1983 Ovelmen D15/1
D273,579 S * 4/1984 Martin et al. D12/345
5,354,175 A * 10/1994 Coleman et al. 416/9
7,918,632 B2 * 4/2011 Mogensen et al. 410/44
D640,630 S * 6/2011 Schutz D13/115

(**) Term: **14 Years**

* cited by examiner

Primary Examiner — Derrick Holland

(21) Appl. No.: **29/435,129**

(74) *Attorney, Agent, or Firm* — Wood, Herron & Evans, LLP

(22) Filed: **Oct. 19, 2012**

(57) **CLAIM**

The ornamental design for a wind turbine nacelle, as shown and described.

(51) **LOC (10) Cl.** **13-01**

DESCRIPTION

(52) **U.S. Cl.**
USPC **D13/115**

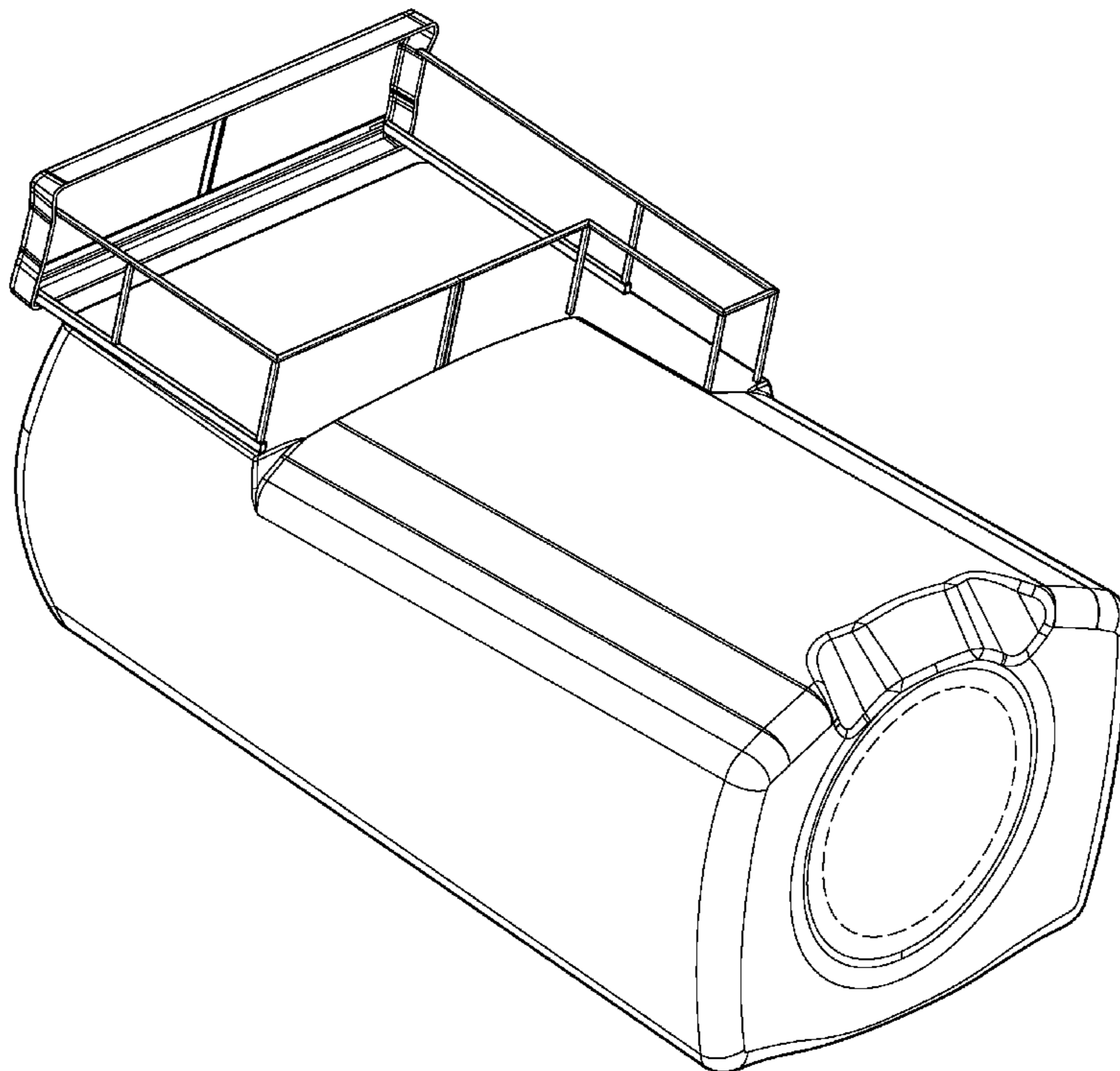
(58) **Field of Classification Search**

CPC F03D 1/001; F03D 9/00; F03D 11/00;
F03D 11/04; Y02E 10/722; Y02E 10/723;
Y02E 10/727; Y02E 10/728
USPC D13/115, 118, 122, 199; D12/319, 344,
D12/345; D15/1, 199; D21/458; 290/44, 52,
290/54, 55; 415/2.1, 4.2, 4.5, 7, 907, 916;
416/1, 7, 9, 16, 24, 31, 37, 38, 132 B,
416/132 R, 141, 142, 176, 177, 196 A, 243

FIG. 1 is a perspective view of a wind turbine nacelle showing our new design;
FIG. 2 is another perspective view thereof;
FIG. 3 is a front side view thereof;
FIG. 4 is a right side view thereof;
FIG. 5 is a rear side view thereof;
FIG. 6 is a left side view thereof;
FIG. 7 is a top plan view thereof; and,
FIG. 8 is a bottom plan view thereof; and,
FIG. 9 is another perspective view thereof.
The broken lines shown represent unclaimed subject matter and form no part of the claimed design.

See application file for complete search history.

1 Claim, 9 Drawing Sheets



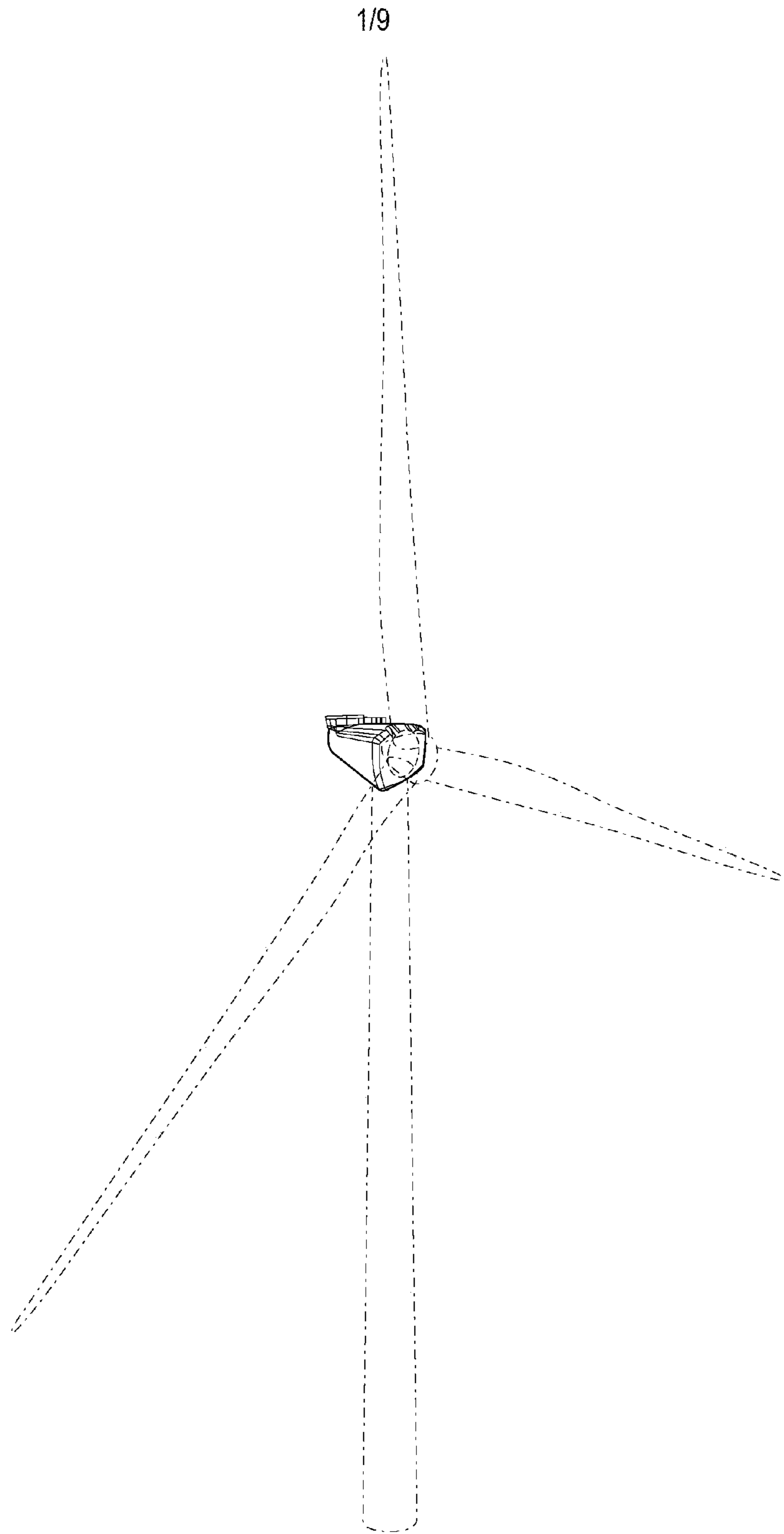


FIG. 1

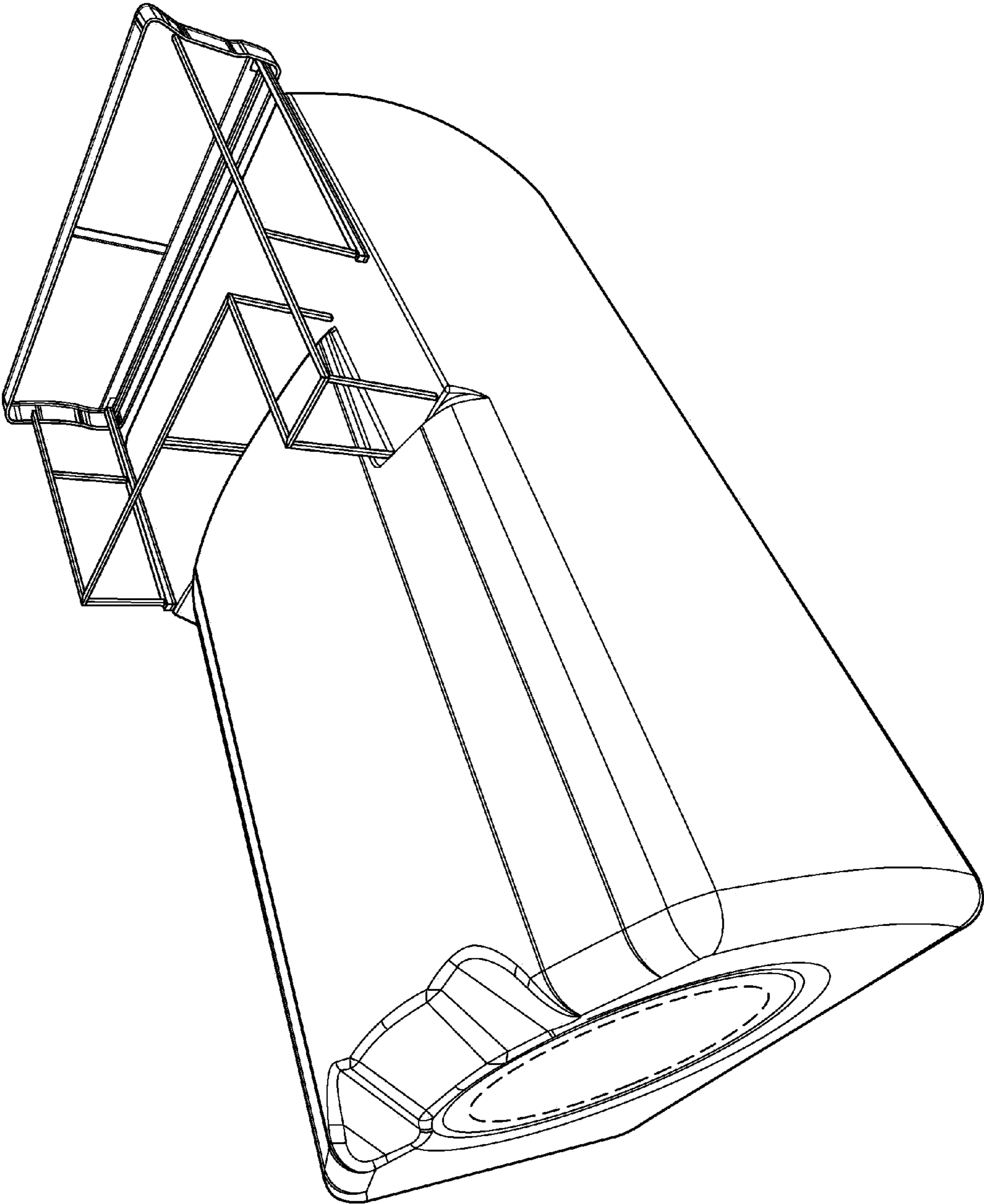


FIG. 2

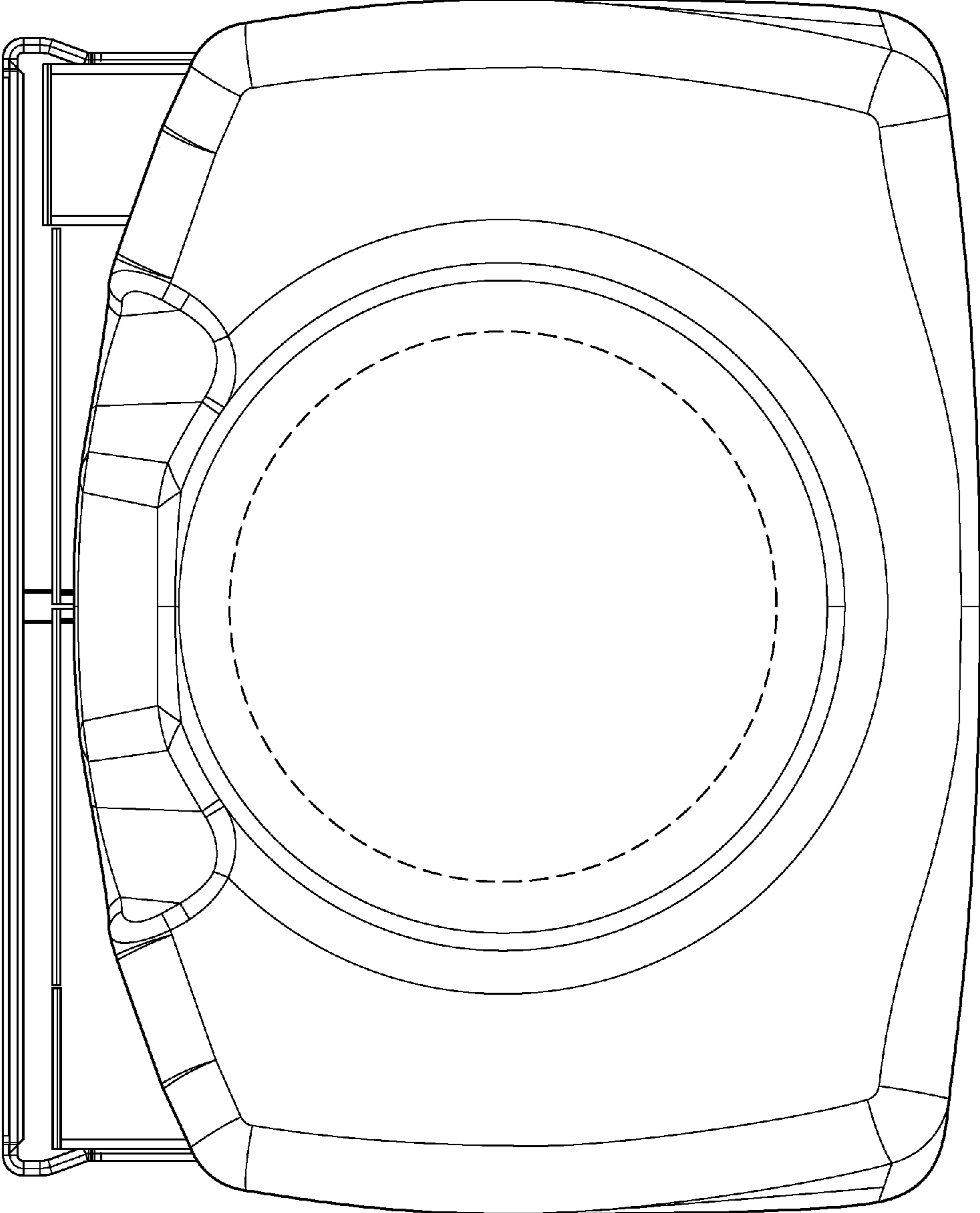


FIG. 3

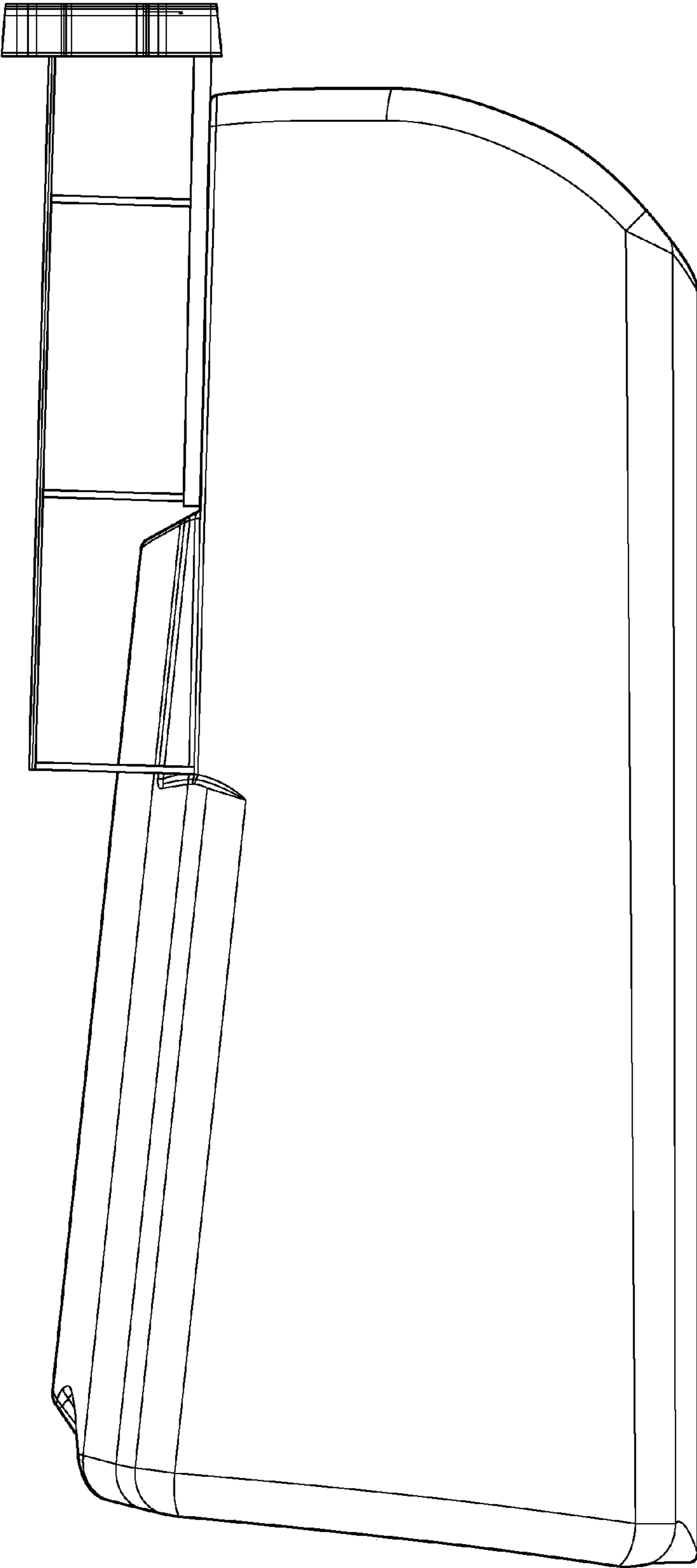


FIG. 4

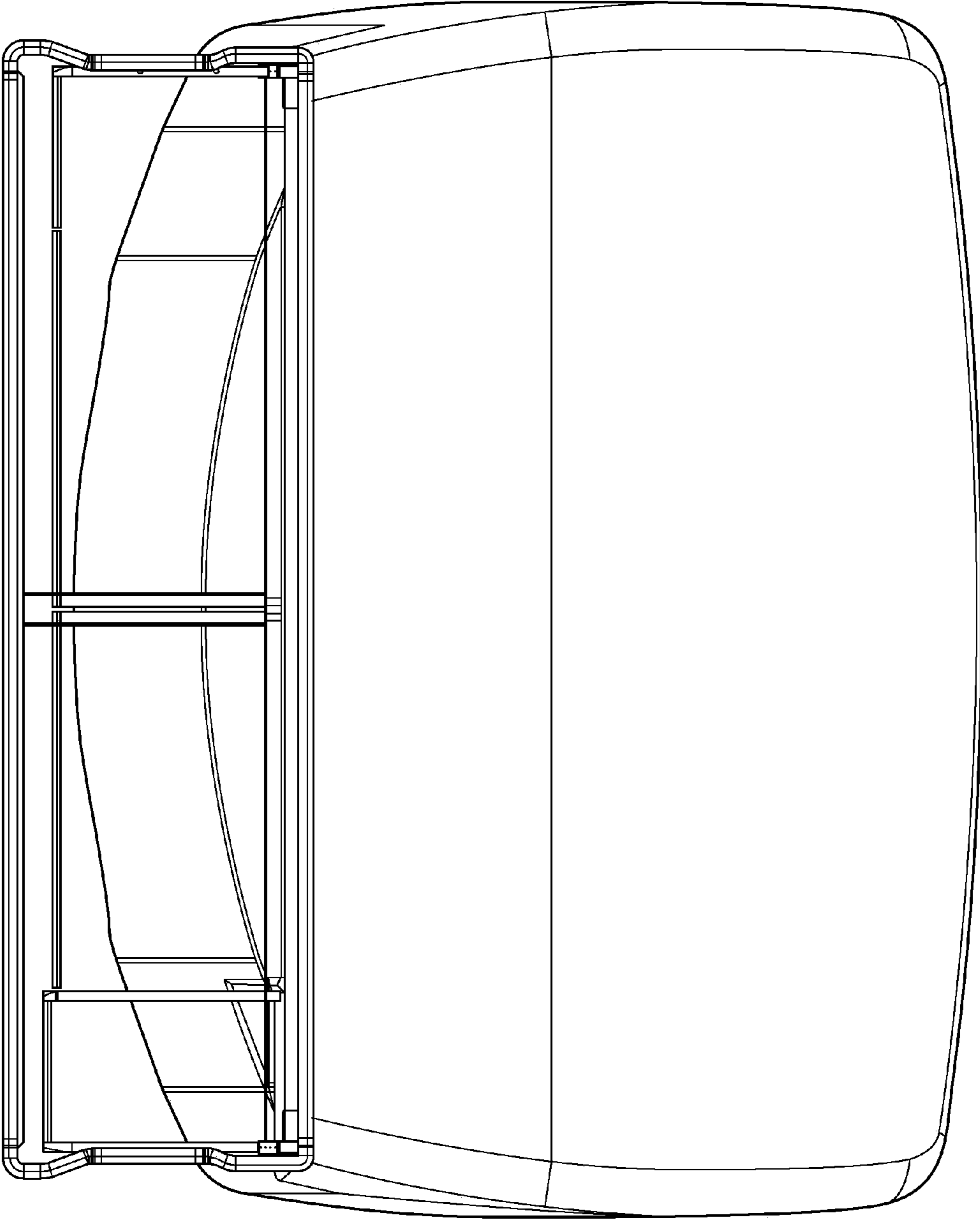


FIG. 5

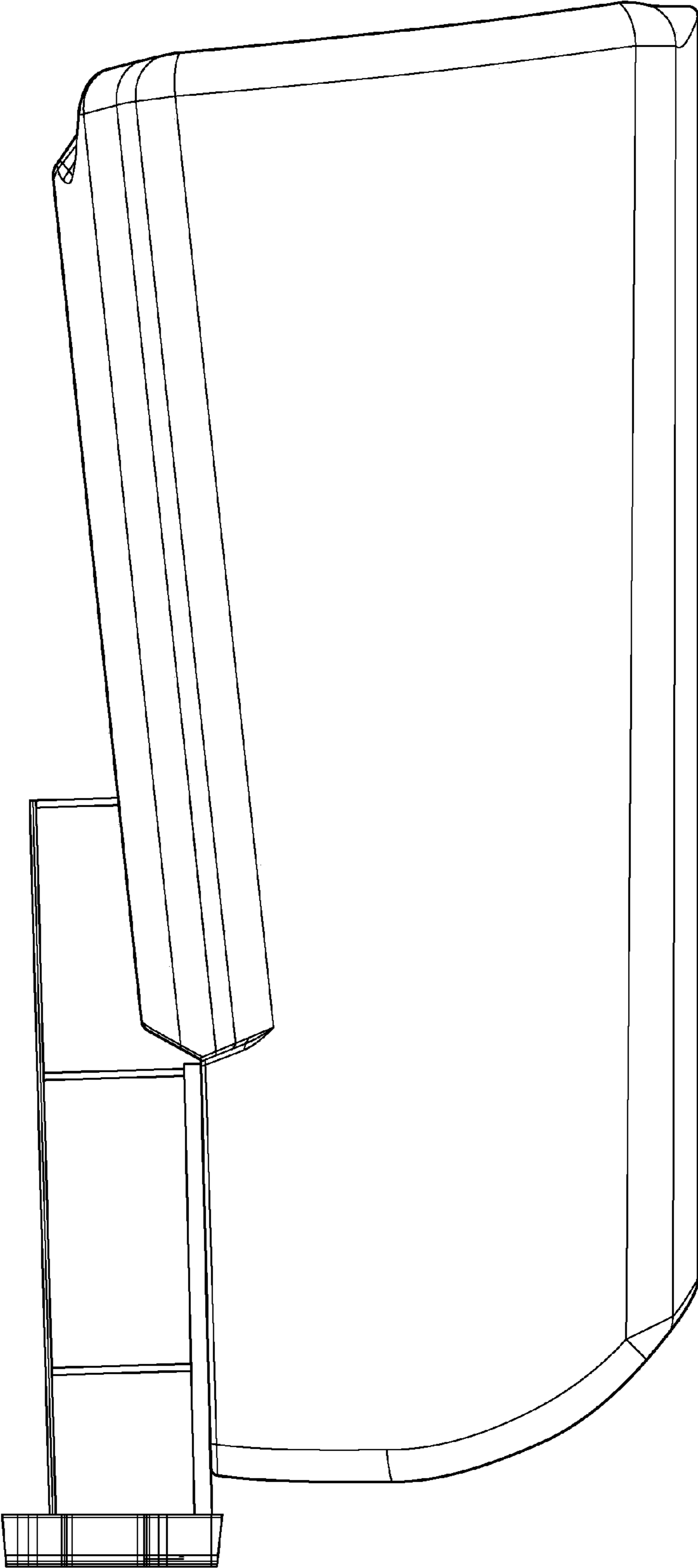


FIG. 6

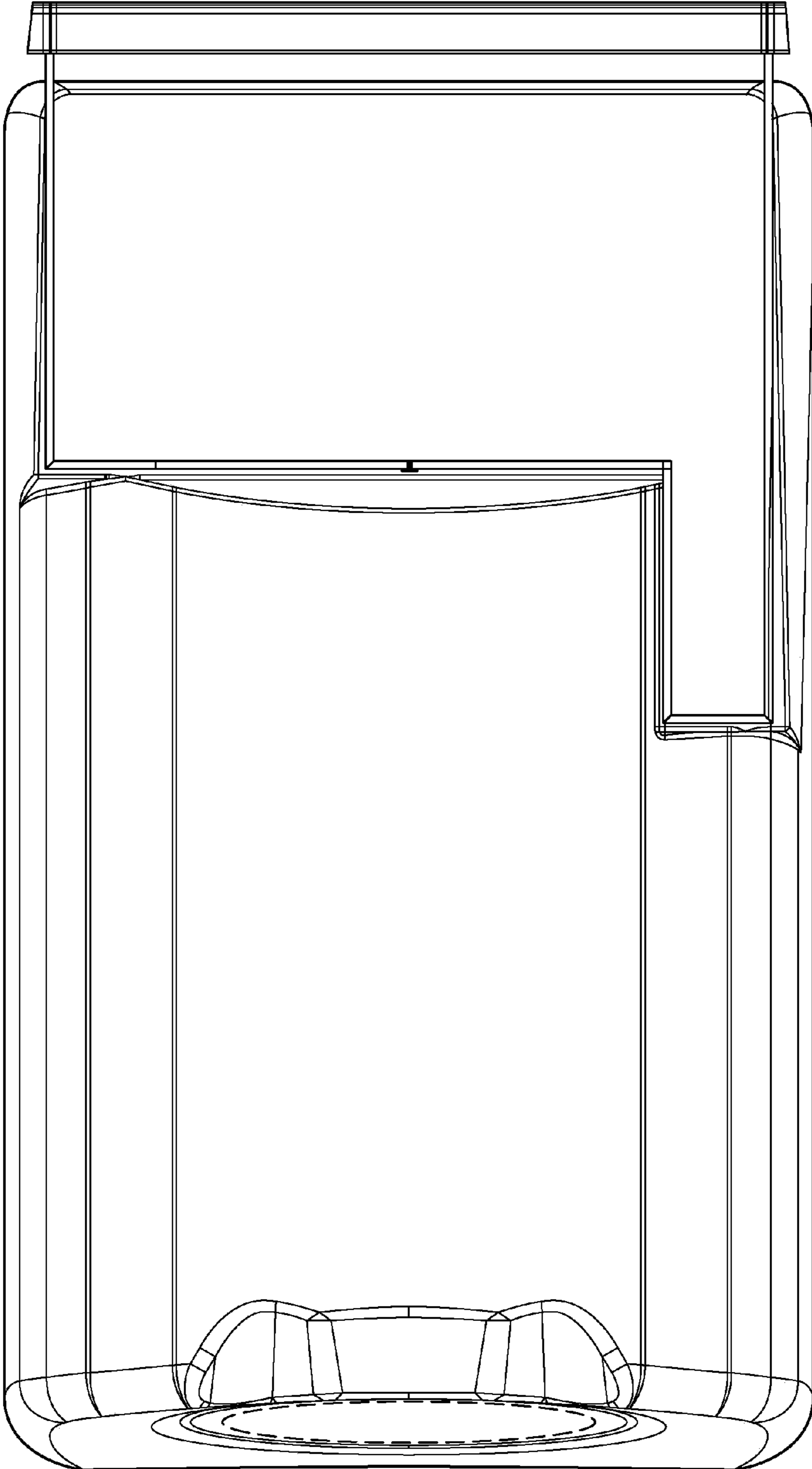


FIG. 7

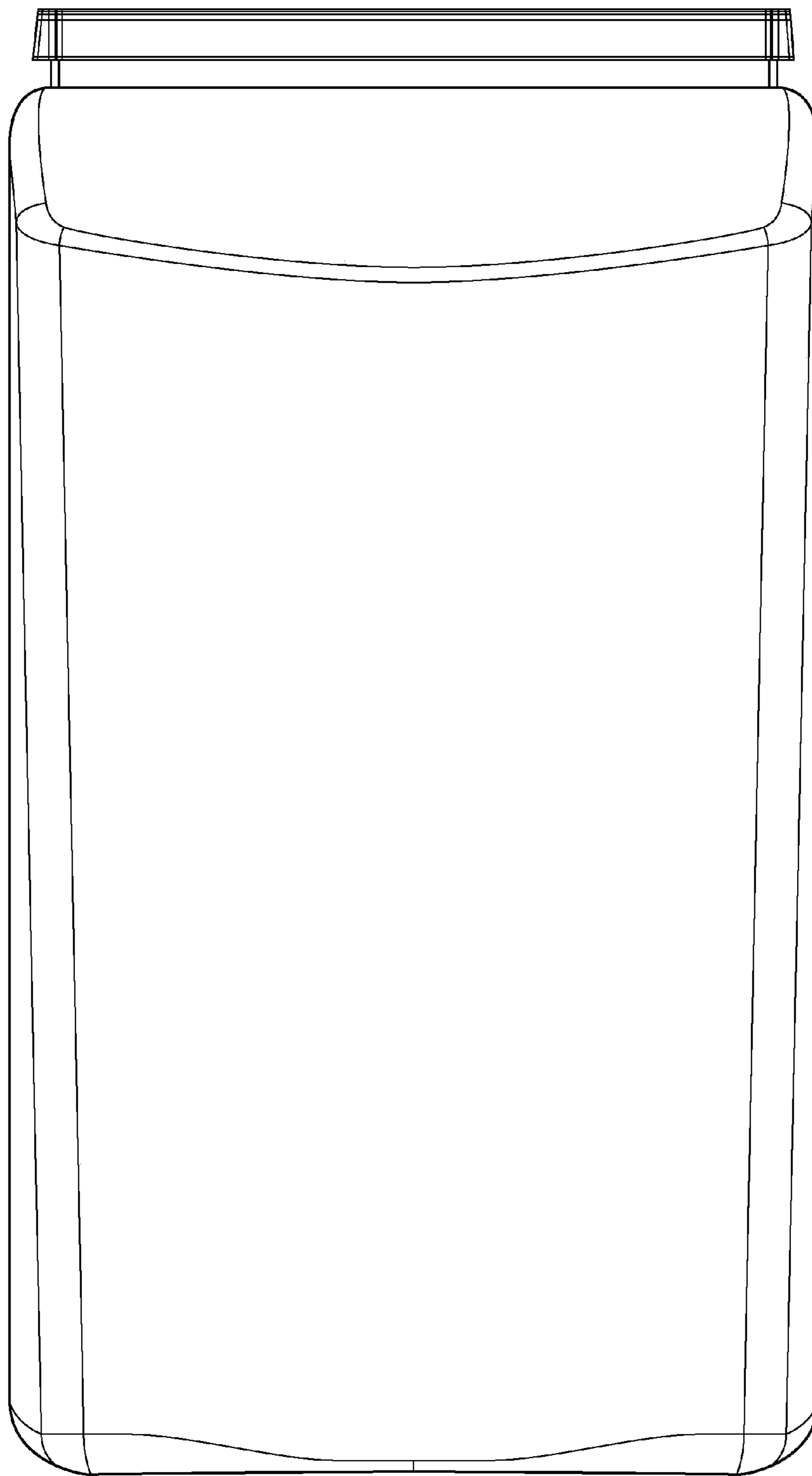


FIG. 8

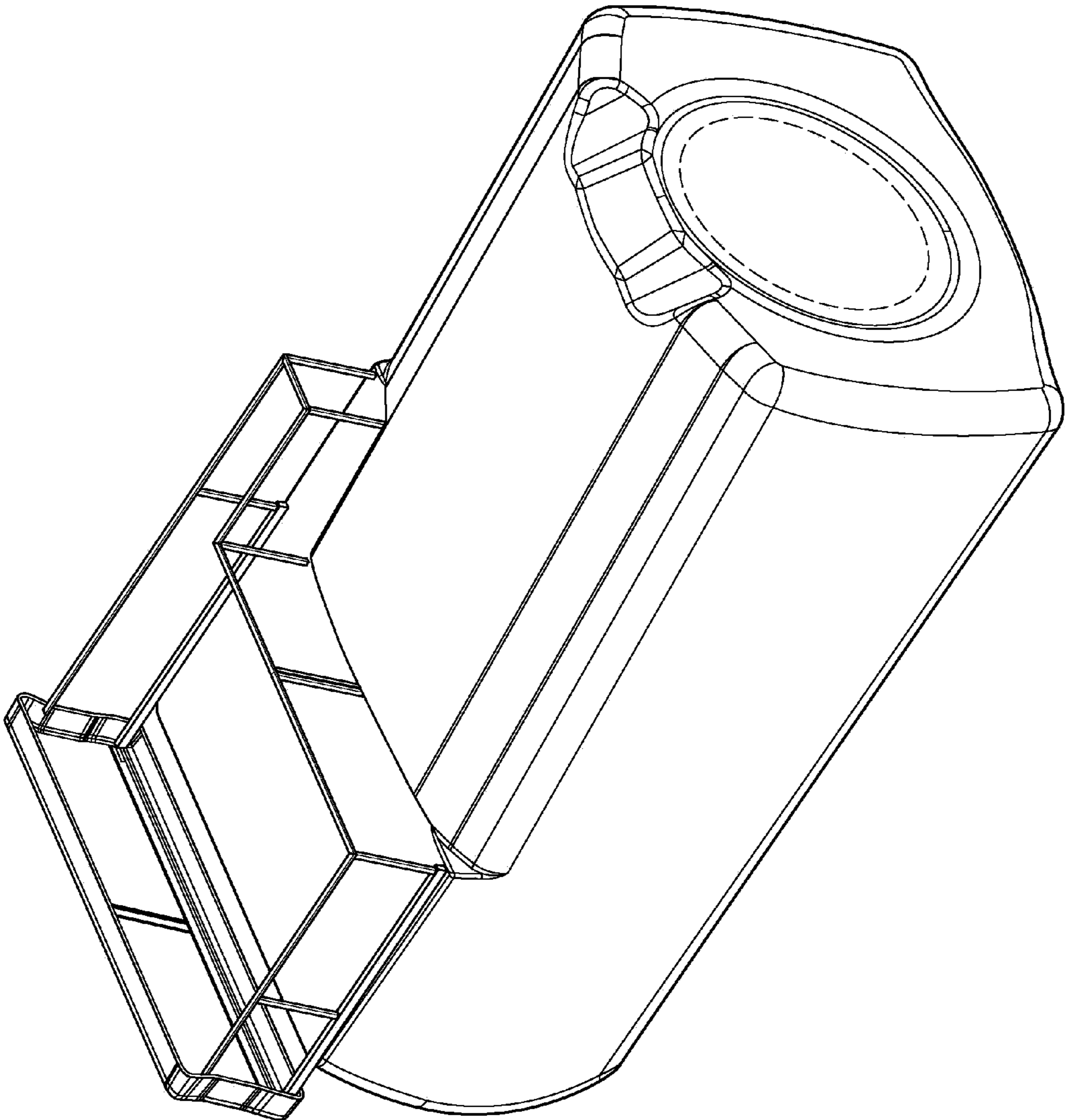


FIG. 9