



US00D724026S

(12) **United States Design Patent**
Intravatola

(10) **Patent No.:** **US D724,026 S**
(45) **Date of Patent:** **** Mar. 10, 2015**

(54) **HOUSING FOR A POWER SUPPLY AND CONTROLLER**

(71) Applicant: **Air Systems, Inc.**, Chesapeake, VA (US)

(72) Inventor: **Lawrence Shane Intravatola**, Virginia Beach, VA (US)

(73) Assignee: **Air Systems, Inc.**, Chesapeake, VA (US)

(**) Term: **14 Years**

(21) Appl. No.: **29/469,816**

(22) Filed: **Oct. 15, 2013**

(51) **LOC (10) Cl.** **13-02**

(52) **U.S. Cl.**
USPC **D13/110**

(58) **Field of Classification Search**
USPC D13/110, 101, 102, 103, 107, 108, 118, D13/119, 123, 184, 199; 307/62, 82, 109, 307/150, 151; 320/104, 107, 111, 112, 113, 320/115, 132, 134, 150; 361/600, 601, 623; 429/96, 97, 98, 99, 100, 163, 170, 176
See application file for complete search history.

(56) **References Cited**

U.S. PATENT DOCUMENTS

1,521,610	A	1/1925	Finesilver
2,285,868	A	6/1942	Muller
2,531,215	A	11/1950	Harmon
3,315,621	A	4/1967	Szymer
3,415,476	A	12/1968	McDermott
3,812,847	A	5/1974	Moore et al.
4,181,929	A	1/1980	Barber et al.

(Continued)

FOREIGN PATENT DOCUMENTS

CN 1066110 11/1992
CN 200980118376.X 6/2012

(Continued)

OTHER PUBLICATIONS

The State Intellectual Property Office of the People's Republic of China, The First Office Action, Application No. 201080034761.9, Jul. 2, 2013 & Reply to The First Office Action of Jul. 2, 2013.

(Continued)

Primary Examiner — Derrick Holland

(74) *Attorney, Agent, or Firm* — Daniel B Schein

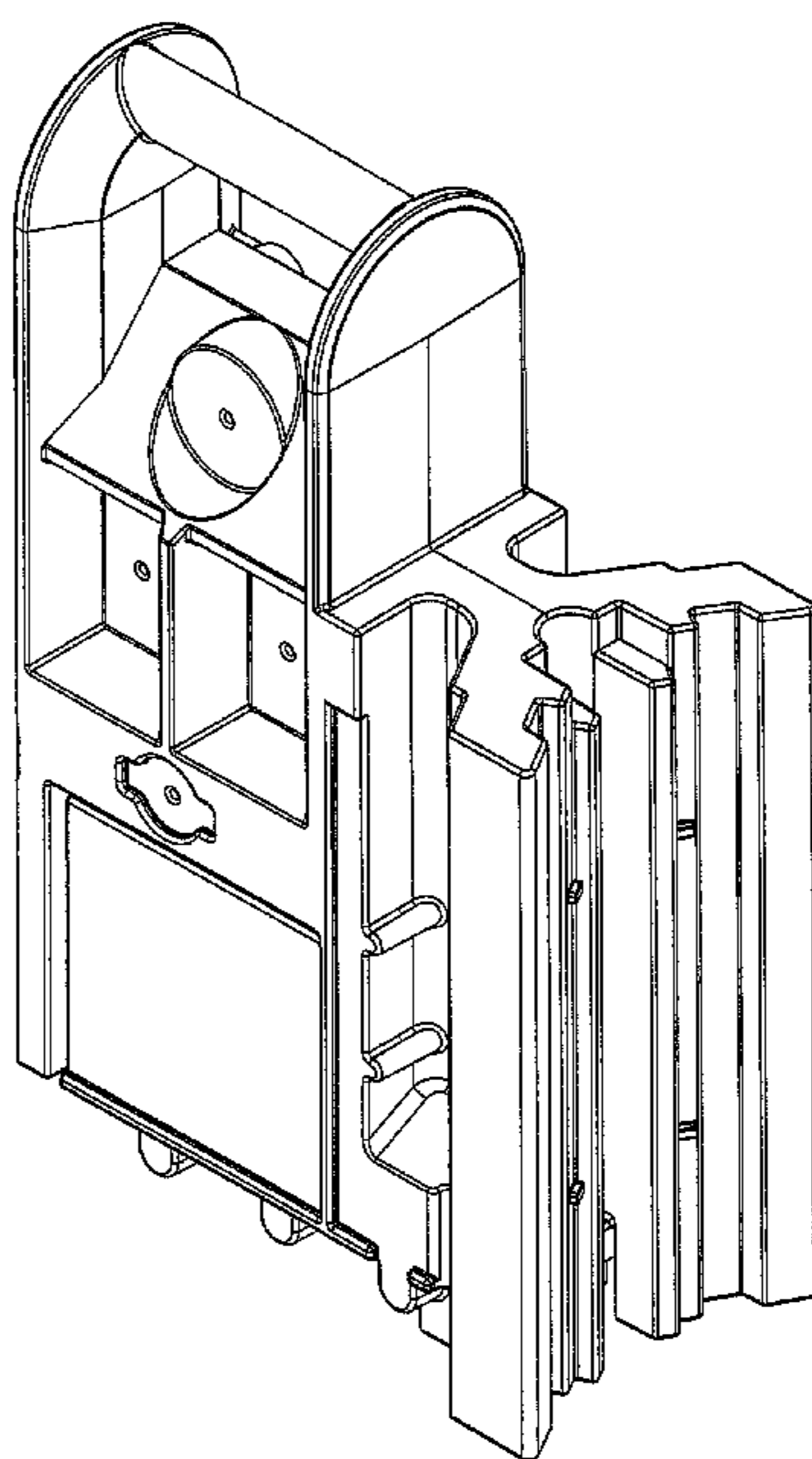
(57) **CLAIM**

The ornamental design for a housing for a power supply and controller, as shown and described.

DESCRIPTION

FIG. 1 is a front elevation view of a housing for a power supply and controller showing my new design; FIG. 2 is a left side elevation view thereof; FIG. 3 is a right side elevation view thereof; FIG. 4 is a rear elevation view thereof; FIG. 5 is a top plan view thereof; FIG. 6 is a bottom plan view thereof; FIG. 7 is a front and left side perspective view thereof; FIG. 8 is a front and right side perspective view thereof; FIG. 9 is a rear and left side perspective view thereof; FIG. 10 is a rear and right side perspective view thereof; FIG. 11 is a front and bottom side perspective view thereof; and, FIG. 12 is a rear and bottom side perspective view thereof. The broken lines shown represent unclaimed subject matter and form no part of the claimed design.

1 Claim, 12 Drawing Sheets



(56)

References Cited

U.S. PATENT DOCUMENTS

4,220,981 A 9/1980 Koether
 4,771,293 A 9/1988 Williams et al.
 4,790,416 A 12/1988 Baker
 4,815,757 A 3/1989 Hamilton
 4,830,579 A 5/1989 Cheng
 5,012,394 A 4/1991 Woodward
 D344,709 S * 3/1994 Cooper D13/110
 D345,137 S * 3/1994 Thomas D13/110
 5,400,019 A 3/1995 Riscoe, Jr.
 D356,996 S * 4/1995 Henderson et al. D13/110
 5,459,648 A 10/1995 Courtney
 5,531,419 A 7/1996 Gustafsson et al.
 5,808,450 A 9/1998 Chula et al.
 D400,509 S * 11/1998 Brunelle D13/162
 5,833,352 A 11/1998 Goodwin
 D409,138 S * 5/1999 Gammenthaler D13/110
 5,934,628 A 8/1999 Bosnakovic
 5,964,524 A 10/1999 Qian
 D456,353 S * 4/2002 Shown et al. D13/110
 6,585,428 B1 7/2003 Wesselink et al.
 6,659,620 B2 12/2003 Goto
 6,682,209 B2 1/2004 Drake et al.
 6,805,462 B1 10/2004 Smith et al.
 6,902,294 B2 6/2005 Wright
 6,926,428 B1 8/2005 Lee
 7,246,913 B2 7/2007 Ossolinski
 7,350,671 B2 4/2008 Mika et al.
 7,397,435 B2 7/2008 McEwan
 D577,668 S * 9/2008 Buck D13/110
 7,432,868 B2 10/2008 Webb et al.
 7,470,036 B2 12/2008 Deighton et al.
 7,484,858 B2 2/2009 Deighton et al.
 7,598,916 B2 10/2009 Inbal et al.
 7,607,630 B2 10/2009 Jung et al.
 7,628,271 B1 12/2009 Marton
 7,679,573 B2 3/2010 Shuster et al.
 7,870,937 B1 1/2011 Arnao
 8,068,062 B2 11/2011 Webb et al.
 8,075,208 B2 12/2011 Green
 8,172,438 B2 5/2012 Konop
 8,181,811 B1 5/2012 Blake
 8,200,150 B2 6/2012 Lopez et al.
 D667,787 S * 9/2012 Druker et al. D13/110
 8,362,963 B2 1/2013 Rakotoarisoa et al.
 D685,324 S * 7/2013 Deck et al. D13/110
 2001/0046258 A1 11/2001 Wise et al.
 2002/0063072 A1 5/2002 Pham

2003/0103357 A1 6/2003 Drake et al.
 2007/0159781 A1 7/2007 Zbikowski
 2008/0129543 A1 6/2008 Lee
 2009/0091940 A1 4/2009 Probasco
 2009/0284963 A1 11/2009 Intravatola

FOREIGN PATENT DOCUMENTS

DE 3825666 9/1989
 EP 09747498.5 10/2012
 JP 11-317110 11/1999
 JP 3138812 2/2001
 JP 2002-365717 12/2002
 KR 10-2010-7028107 8/2012
 TW 098115754 10/2011
 WO 03/098097 11/2003
 WO PCT/US2009/43829 5/2009

OTHER PUBLICATIONS

European Patent Office, Search Report, Application No. 10784134.8, Nov. 6, 2012 & Response to Search Report of Nov. 6, 2012.
 Office Action, Japanese Application No. 2012-513364, Jan. 7, 2013 & Response to Office Action of Jan. 7, 2013.
 Office Action, Japanese Application No. 2012-513364, Aug. 20, 2013 & Response to Office Action of Aug. 20, 2013.
 Canadian Intellectual Property Office, Examiner's Report, Application 2,764,435, Jul. 25, 2013 & Response to Examiner's Report of Jul. 25, 2013.
 European Patent Office, Search Report, Application No. 09747498.5, Nov. 9, 2012 & Response to Search Report of Nov. 9, 2012.
 Korean Intellectual Property Office, Notice to Submit Response, Application No. 10-2010-7028107, Aug. 22, 2012 & Reply to the notice to Submit Response of Aug. 22, 2012.
 Canadian Intellectual Property Office, Examiner's Report, Aug. 6, 2012, & Request for Reinstatement and Response to Examiner's Report of Aug. 6, 2012.
 Taiwanese Office Action, Patent Application No. 098115754, Oct. 27, 2011 & Reply to the Office Action of Oct. 27, 2010.
 The State Intellectual Property Office of the People's Republic of China, The First Office Action, Application No. 200980118376A, Jun. 4, 2012 & Reply to the First Office Action of Jun. 4, 2012.
 International Search Report, PCT/US09/43829, Aug. 27, 2009.
 The State Intellectual Property Office of the People's Republic of China, The Third Office Action, Application No. 201080034761.9, Jun. 30, 2014.

* cited by examiner

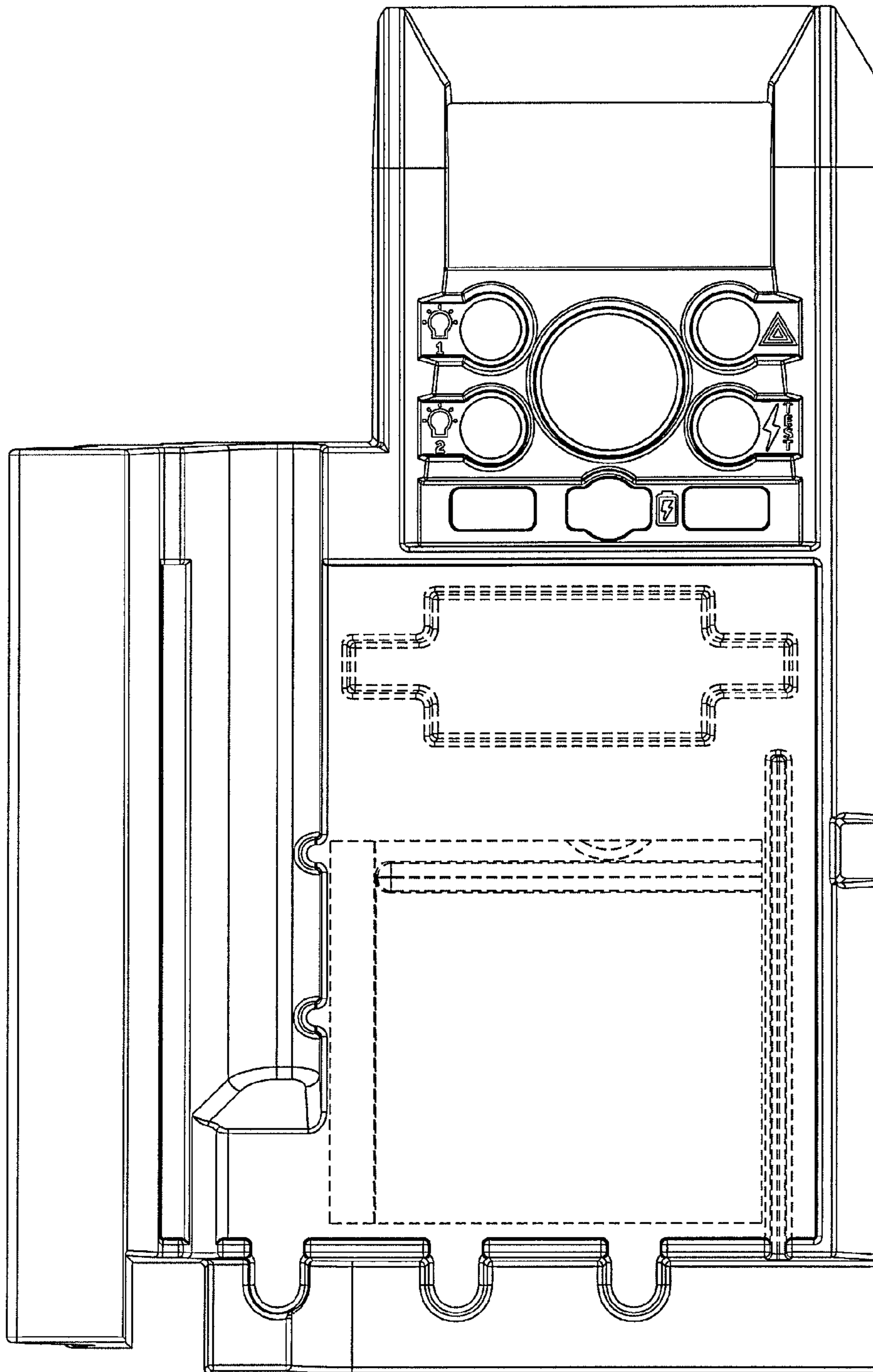


FIG. 1

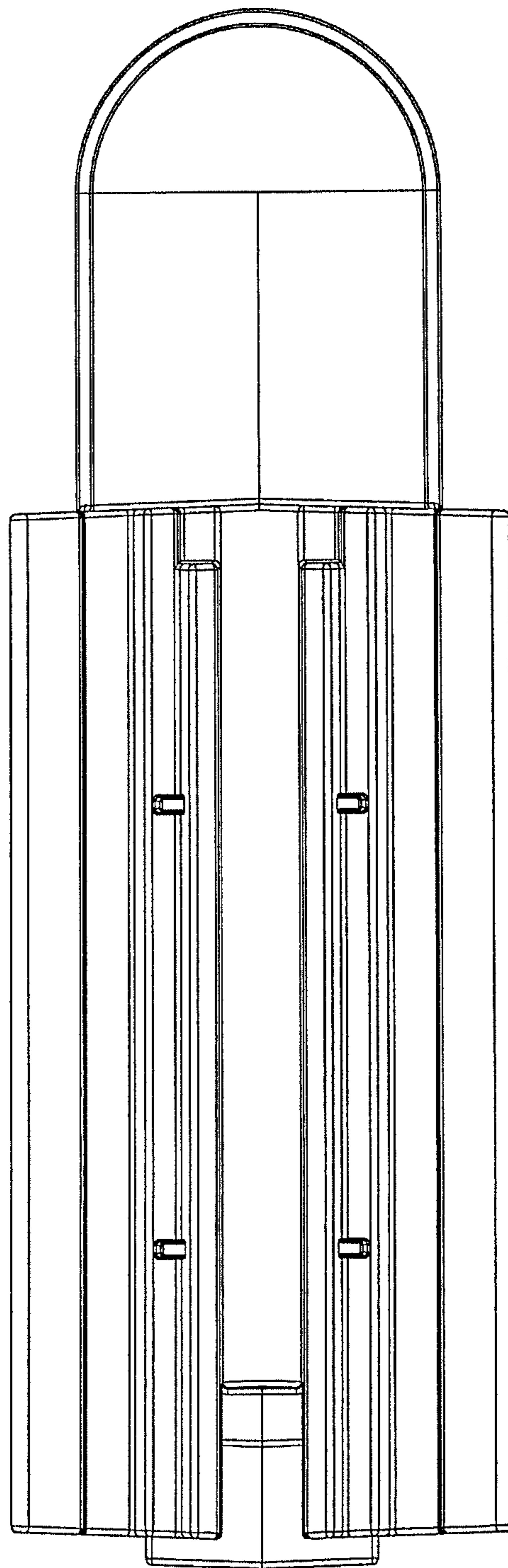


FIG. 2

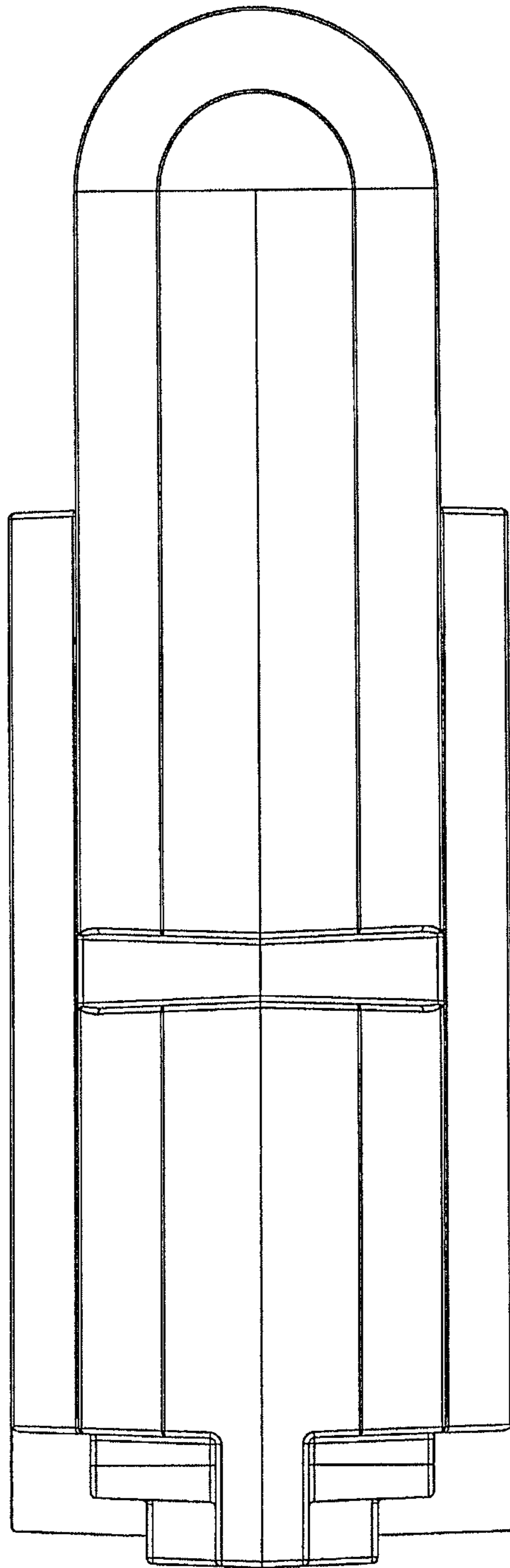


FIG. 3

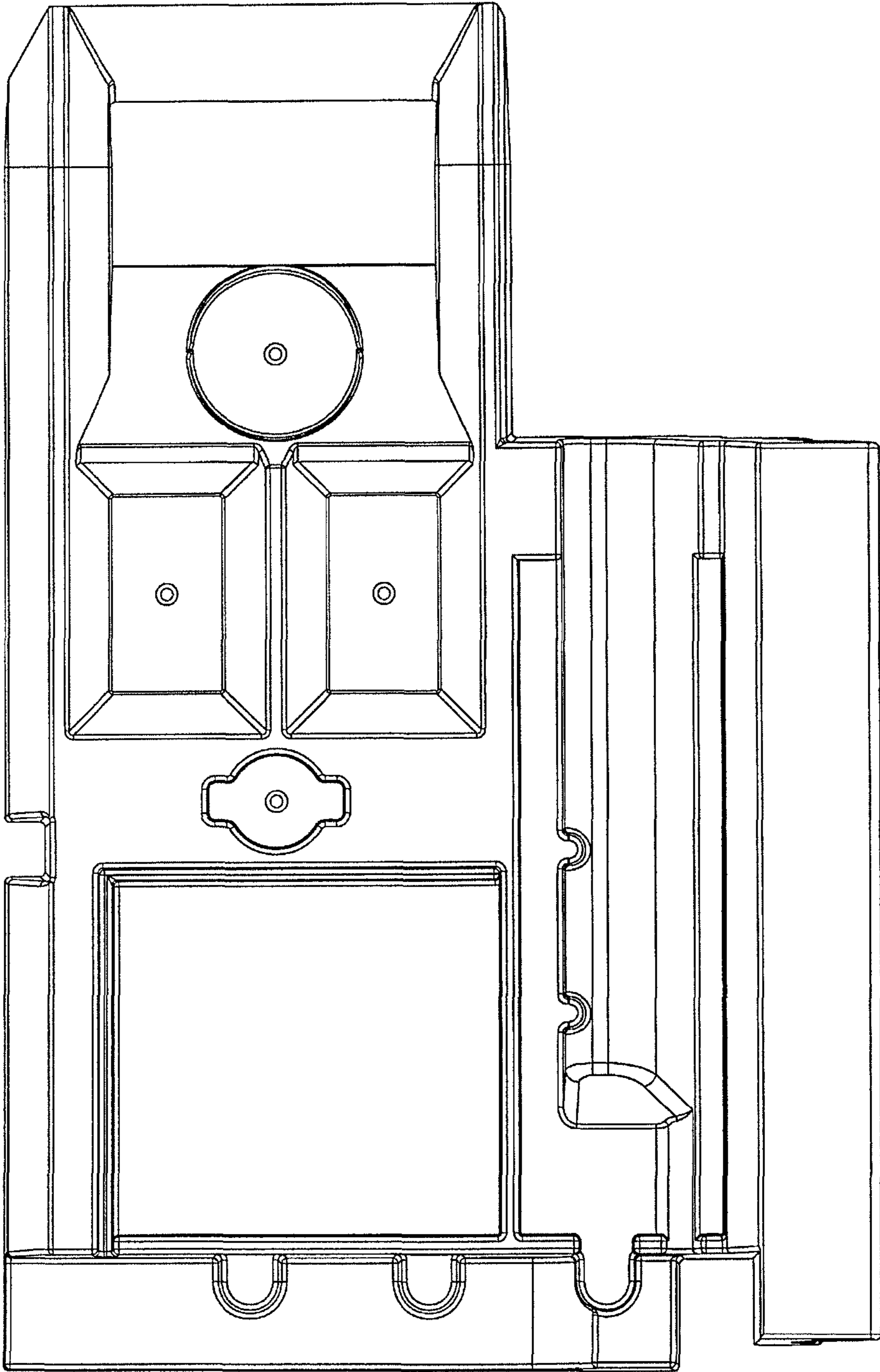


FIG. 4

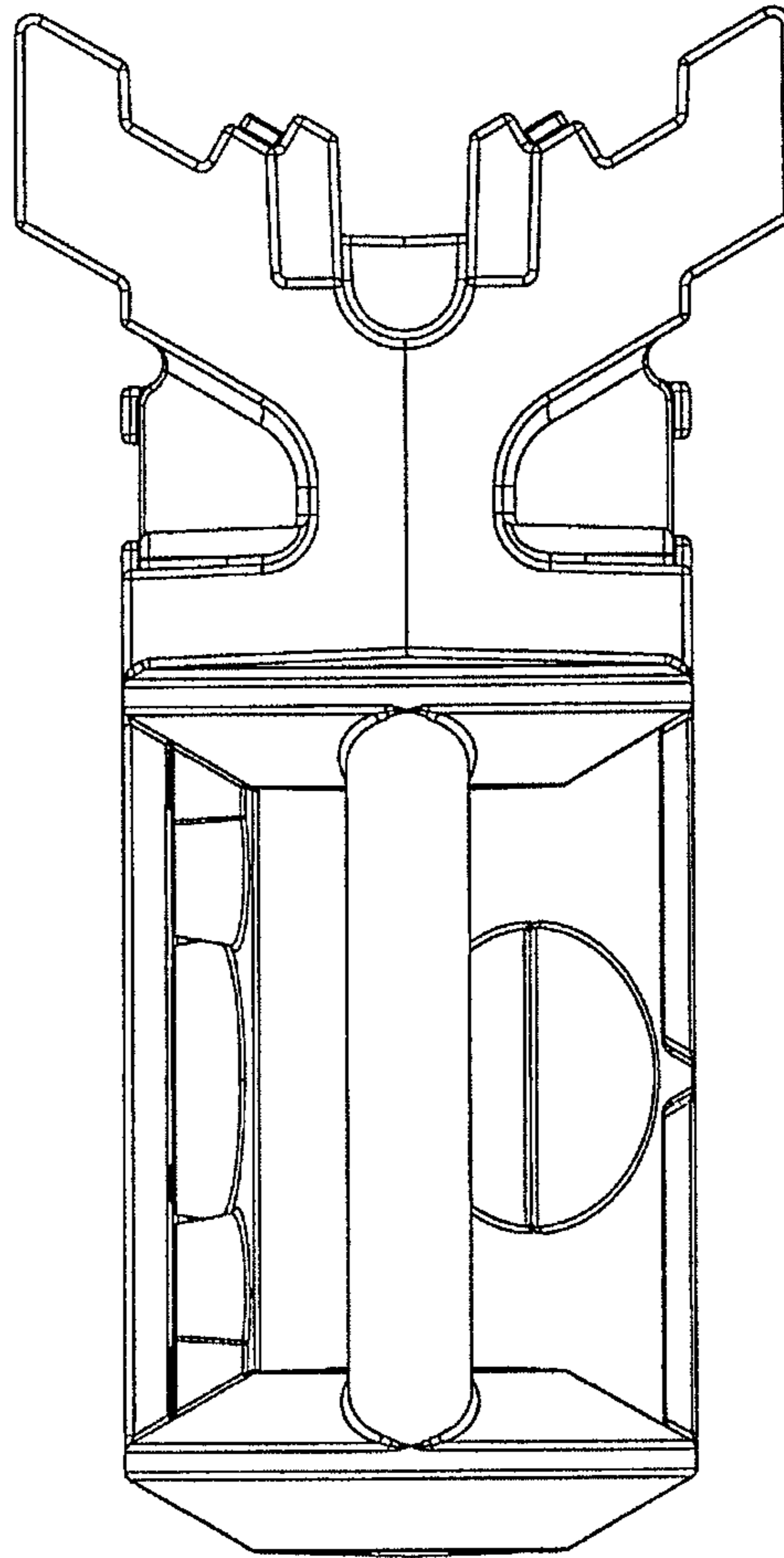


FIG. 5

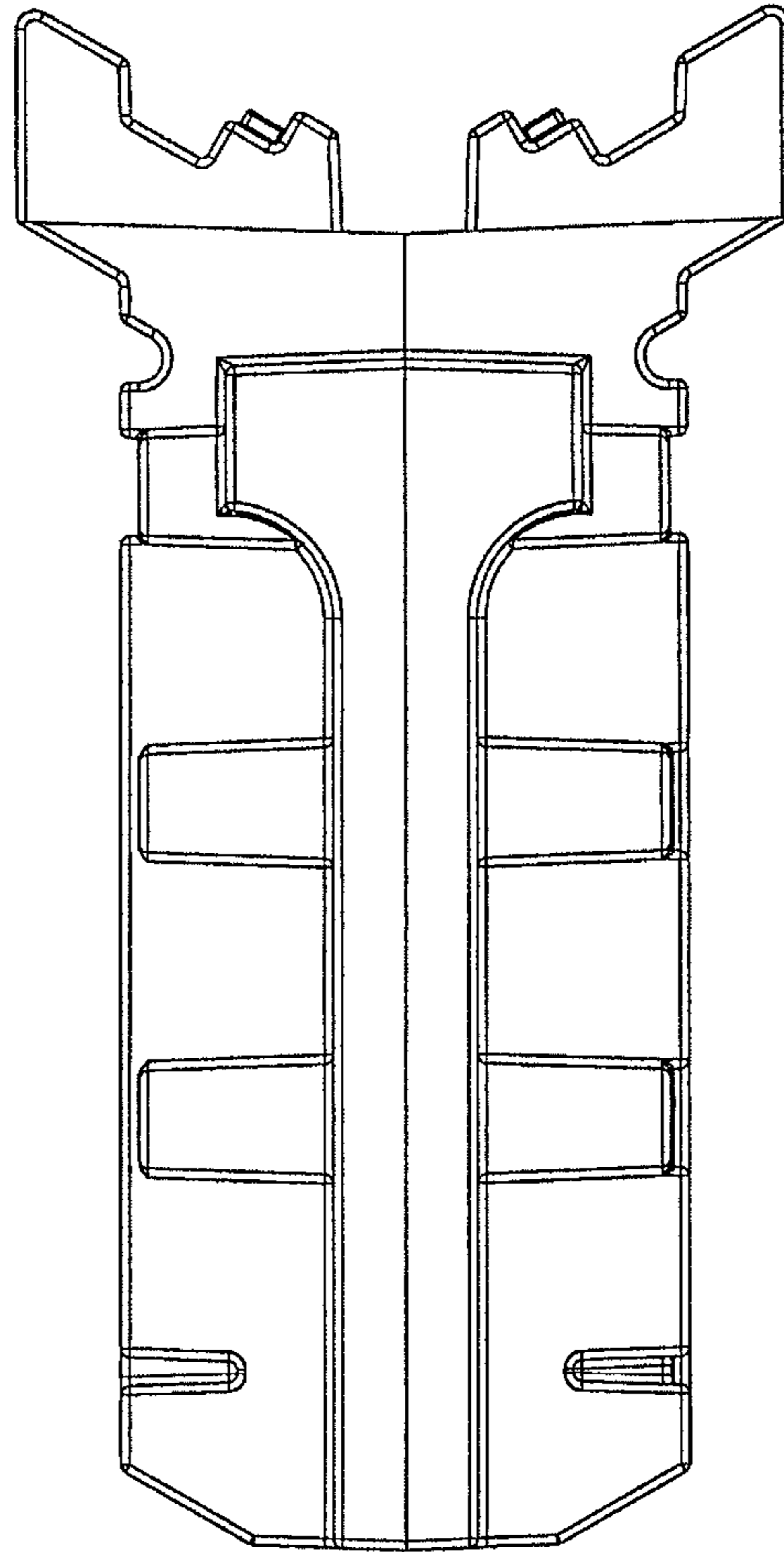


FIG. 6

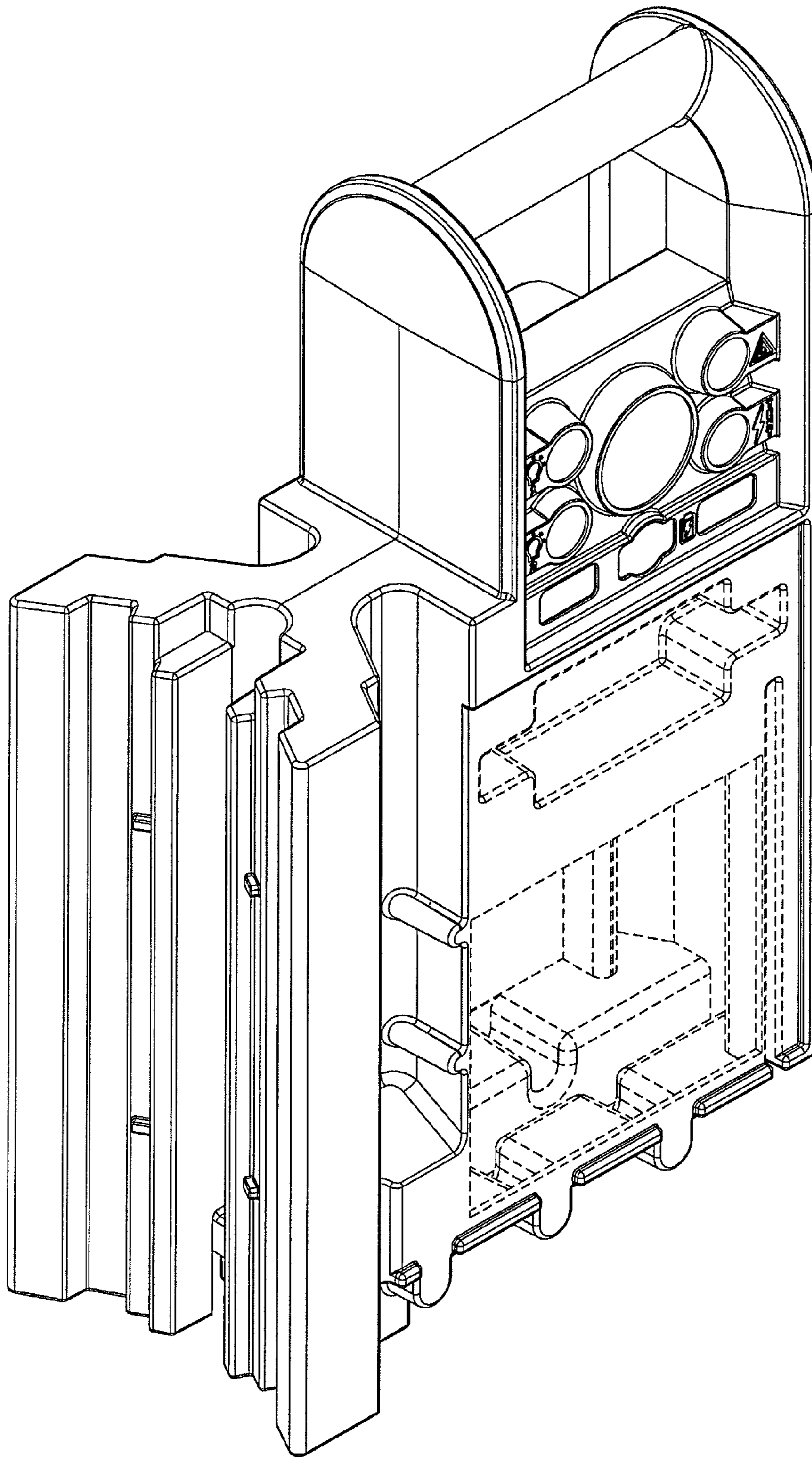


FIG. 7

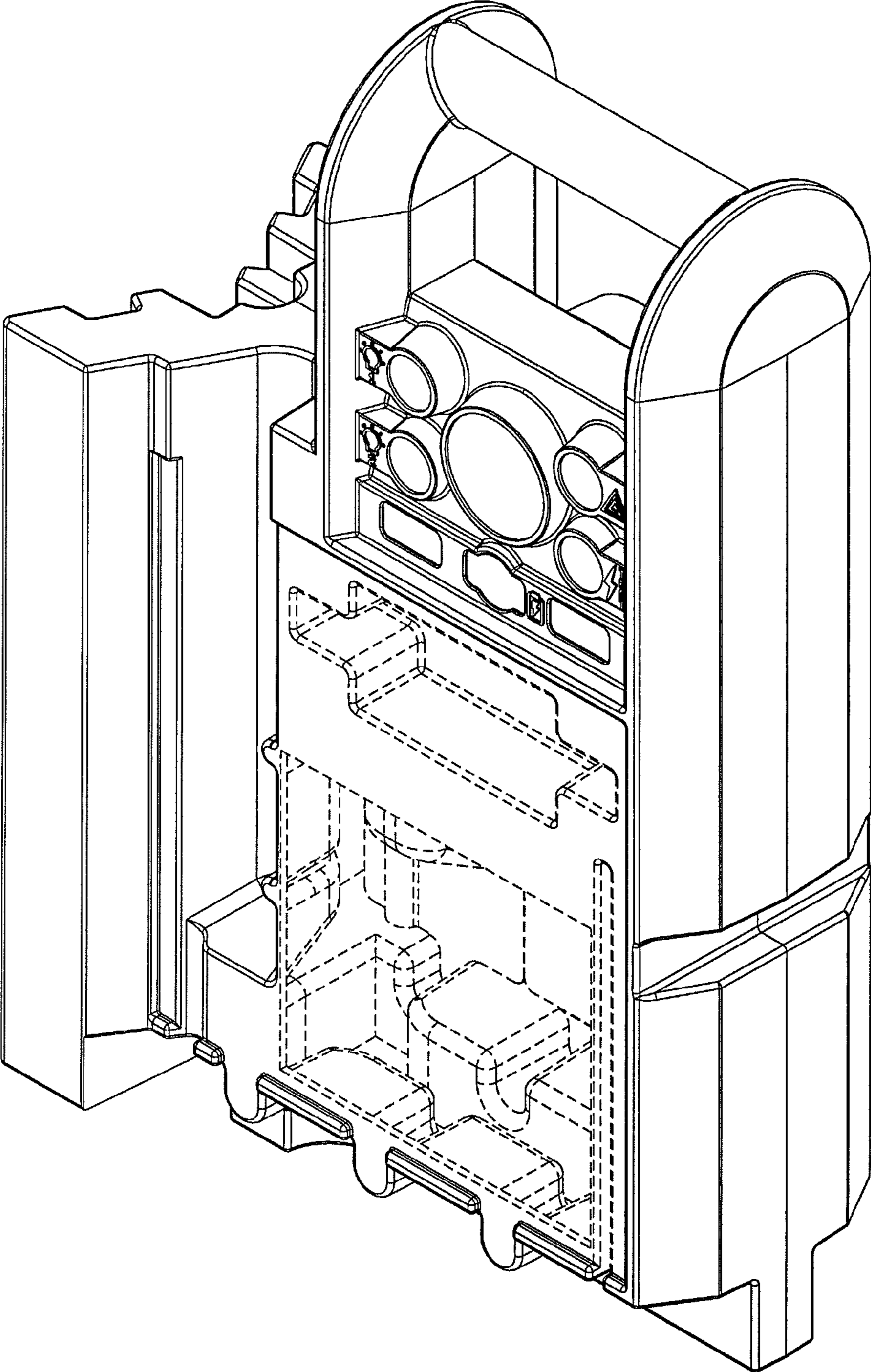


FIG. 8

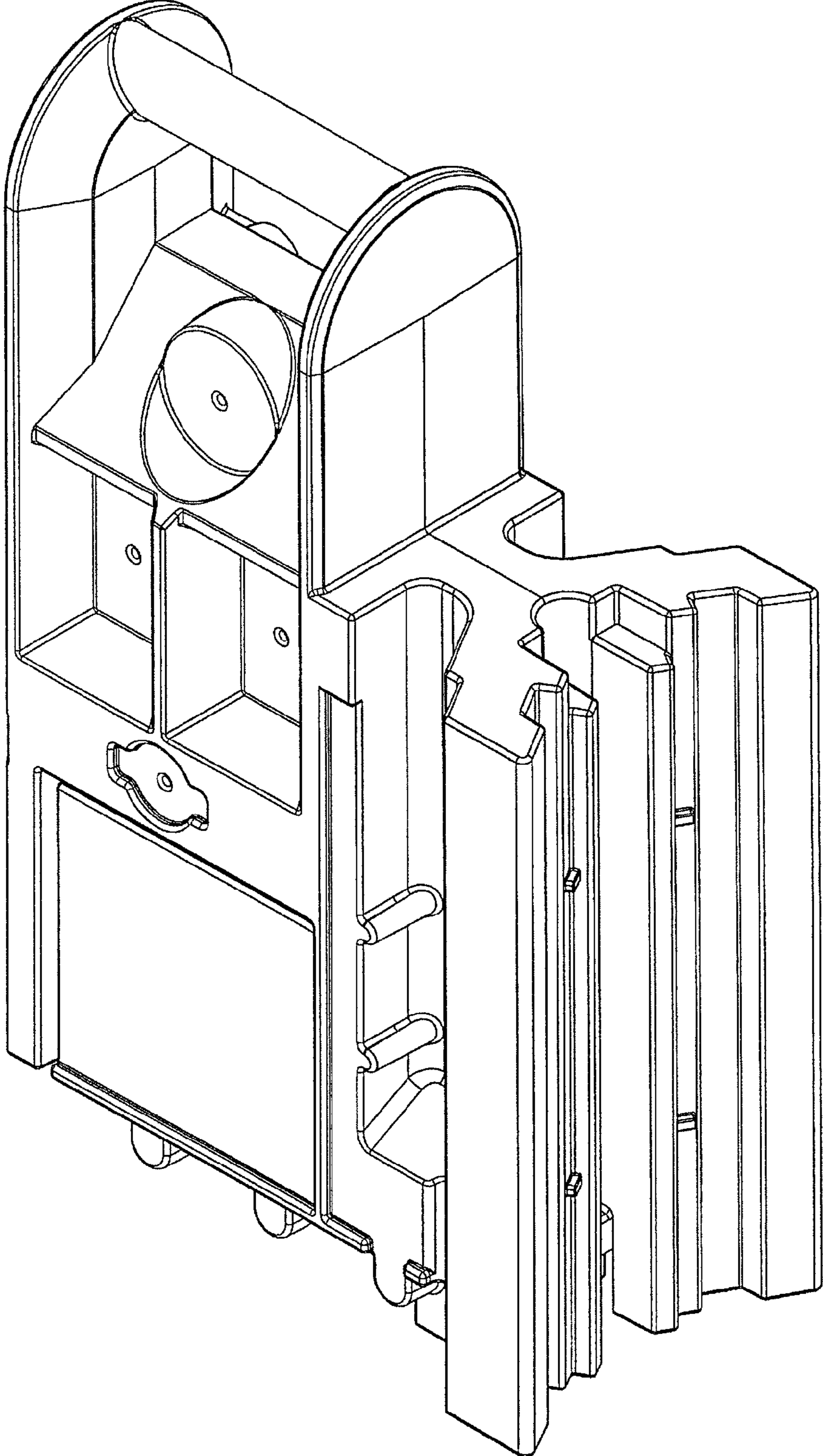


FIG. 9

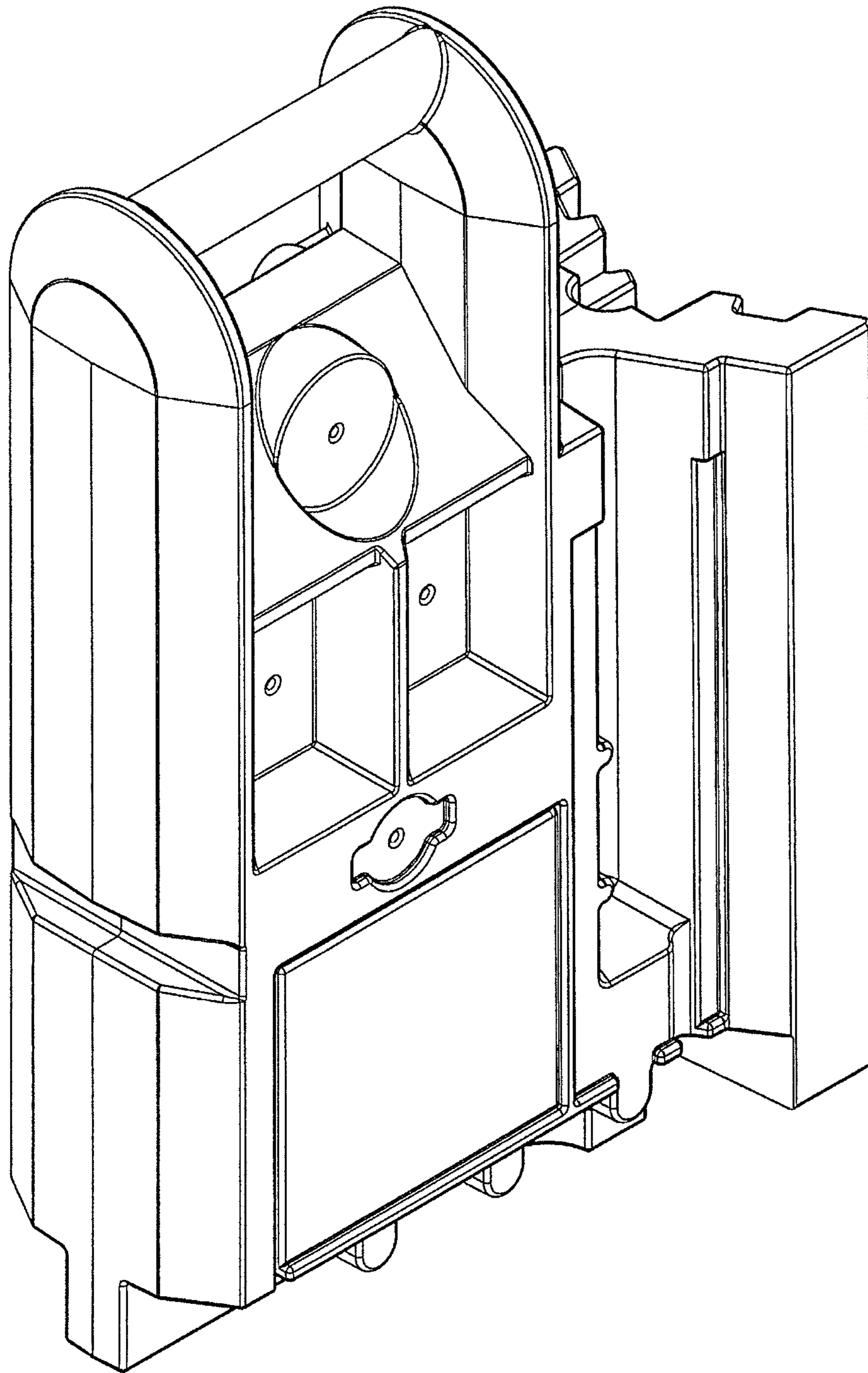


FIG. 10

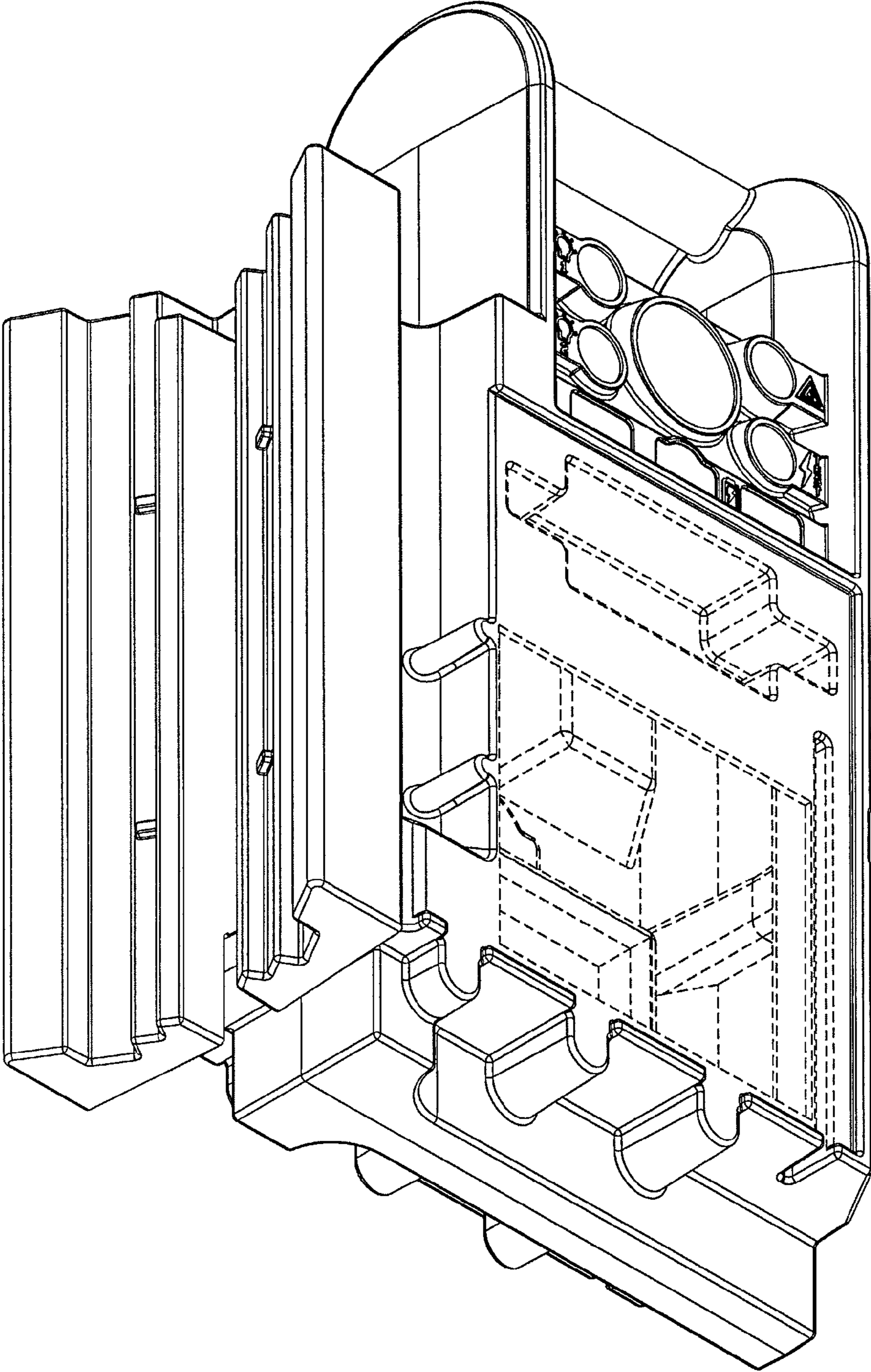


FIG. 11

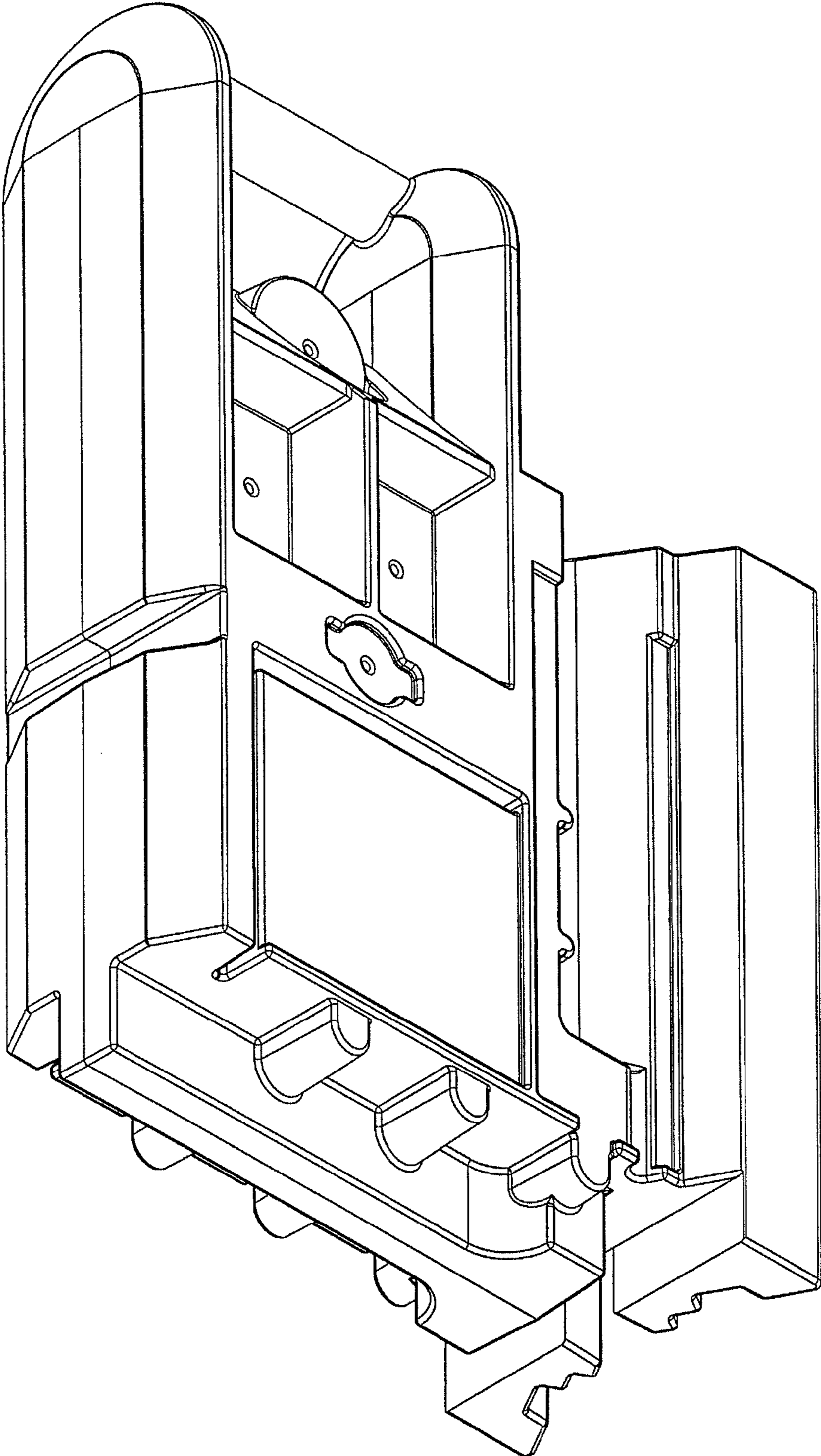


FIG. 12