



US00D724025S

(12) **United States Design Patent**
Peek et al.

(10) **Patent No.:** **US D724,025 S**
(45) **Date of Patent:** **** Mar. 10, 2015**

(54) **WIRELESS CHARGING DEVICE**

(71) Applicants: **Gregory A. Peek**, Northplains, OR (US);
Mark R. Francis, Portland, OR (US);
Frank W. Torrey, Chandler, AZ (US);
Ichiang Sun, Portland, OR (US);
Arthur Deitrich-Croy, Portland, OR (US)

(72) Inventors: **Gregory A. Peek**, Northplains, OR (US);
Mark R. Francis, Portland, OR (US);
Frank W. Torrey, Chandler, AZ (US);
Ichiang Sun, Portland, OR (US);
Arthur Deitrich-Croy, Portland, OR (US)

(73) Assignee: **Intel Corporation**, Santa Clara, CA (US)

(**) Term: **14 Years**

(21) Appl. No.: **29/477,905**

(22) Filed: **Dec. 28, 2013**

(51) **LOC (10) Cl.** **13-02**

(52) **U.S. Cl.**
USPC **D13/108**

(58) **Field of Classification Search**
USPC D13/107–110, 118–119, 184, 199;
D14/251, 253, 432, 434; 320/107–115,
320/128, 137–140
See application file for complete search history.

(56) **References Cited**

U.S. PATENT DOCUMENTS

D416,536 S *	11/1999	Ross et al.	D13/107
D469,439 S *	1/2003	Bradley	D14/434
D469,774 S *	2/2003	Bradley	D14/434
D489,322 S *	5/2004	Sawai et al.	D13/108
D568,327 S *	5/2008	Fitch et al.	D14/453

D568,808 S *	5/2008	Hamasaki	D13/108
D572,188 S *	7/2008	Prat-Pfister	D13/108
D588,141 S *	3/2009	Heggland et al.	D14/451
D588,985 S *	3/2009	O'Hern	D13/107
7,710,071 B2 *	5/2010	Elizalde Rodarte	320/115
D621,346 S *	8/2010	Navid	D13/108
D657,740 S *	4/2012	Prat-Pfister	D13/108
8,497,659 B2 *	7/2013	Navid	320/108
D691,947 S *	10/2013	Cole et al.	D13/108
D692,376 S *	10/2013	Palmer et al.	D13/108
2009/0102419 A1 *	4/2009	Gwon et al.	320/108

* cited by examiner

Primary Examiner — Rosemary K Tarcza
(74) *Attorney, Agent, or Firm* — Jordan IP Law, LLC

(57) **CLAIM**

The ornamental design for a wireless charging device, as shown and described in FIGS. 1-7.

DESCRIPTION

FIG. 1 is a front perspective view of a wireless charging device, in accordance with the embodiment;
FIG. 2 is a side view of the wireless charging device of FIG. 1;
FIG. 3 is a side view of the wireless charging device of FIG. 1;
FIG. 4 is a rear view of the wireless charging device of FIG. 1;
FIG. 5 is a front view of the wireless charging device of FIG. 1;
FIG. 6 is a top view of the wireless charging device of FIG. 1; and,
FIG. 7 is a bottom view of the wireless charging device of FIG. 1.
Broken lines of the FIGURES are illustrative and depict environment; therefore, they form no part of the claimed design. Additionally, in some embodiments, non-oblique line shading is meant to show contour of represented surfaces, not surface ornamentation.

1 Claim, 7 Drawing Sheets

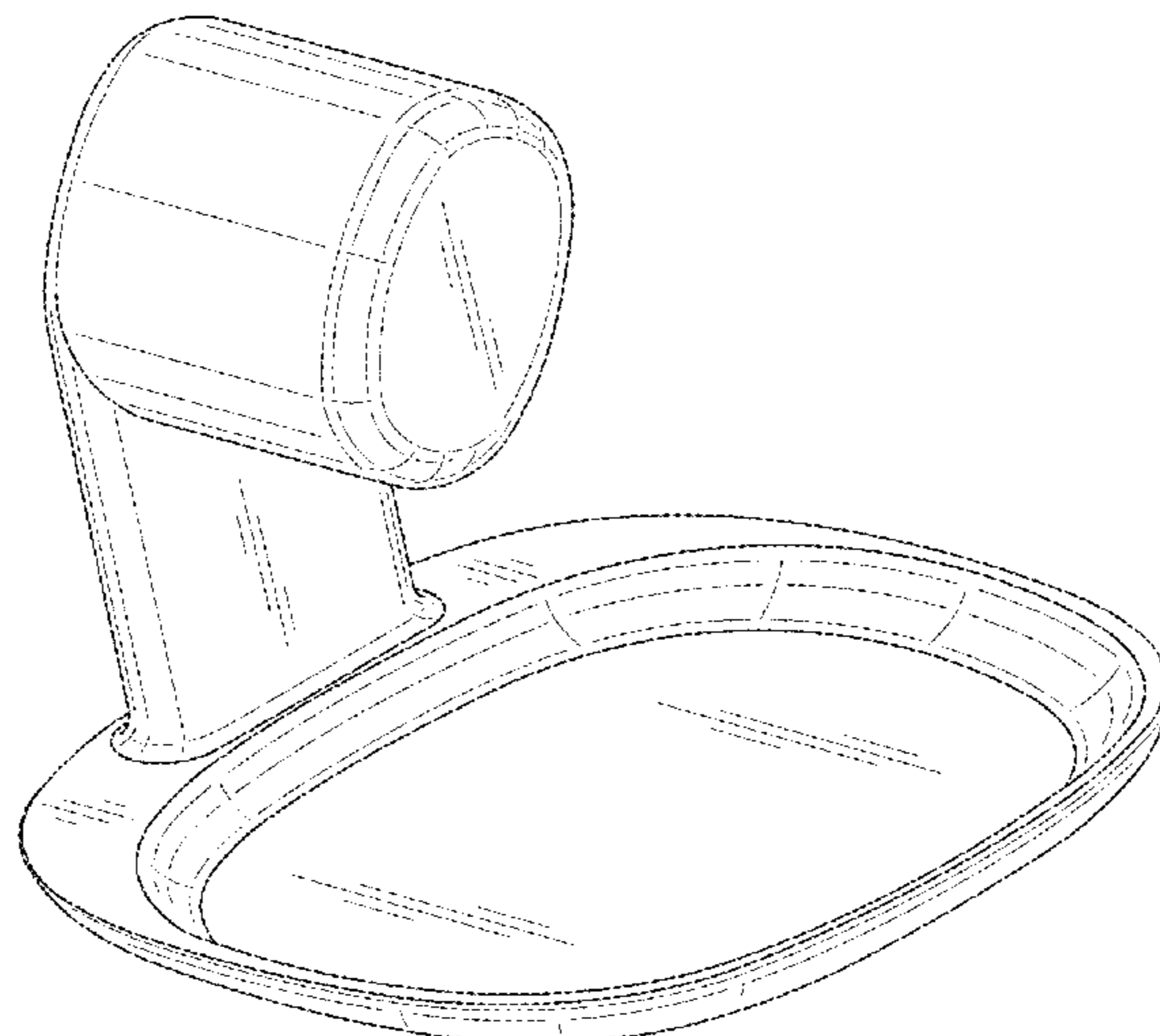


FIG. 1

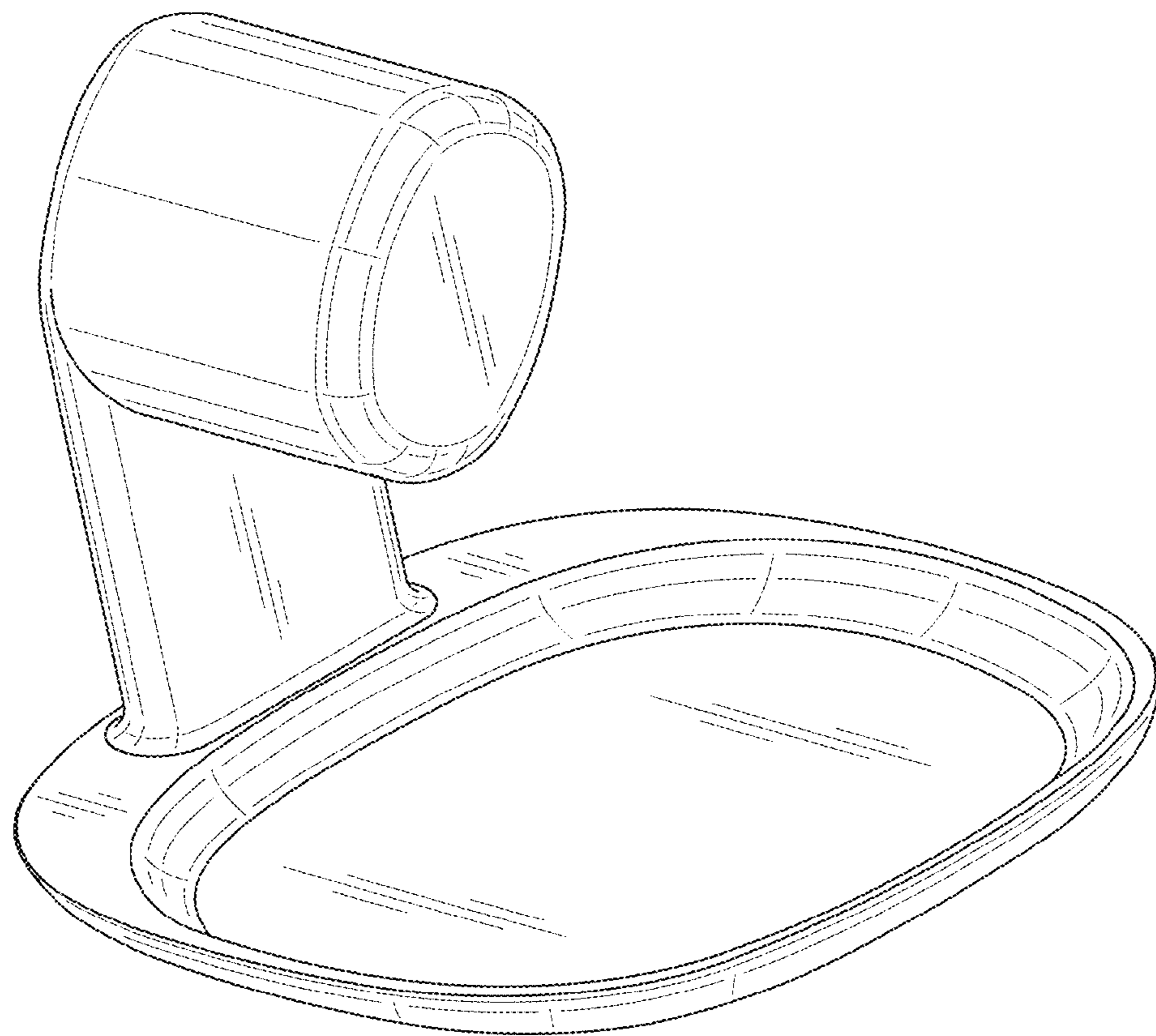


FIG.2

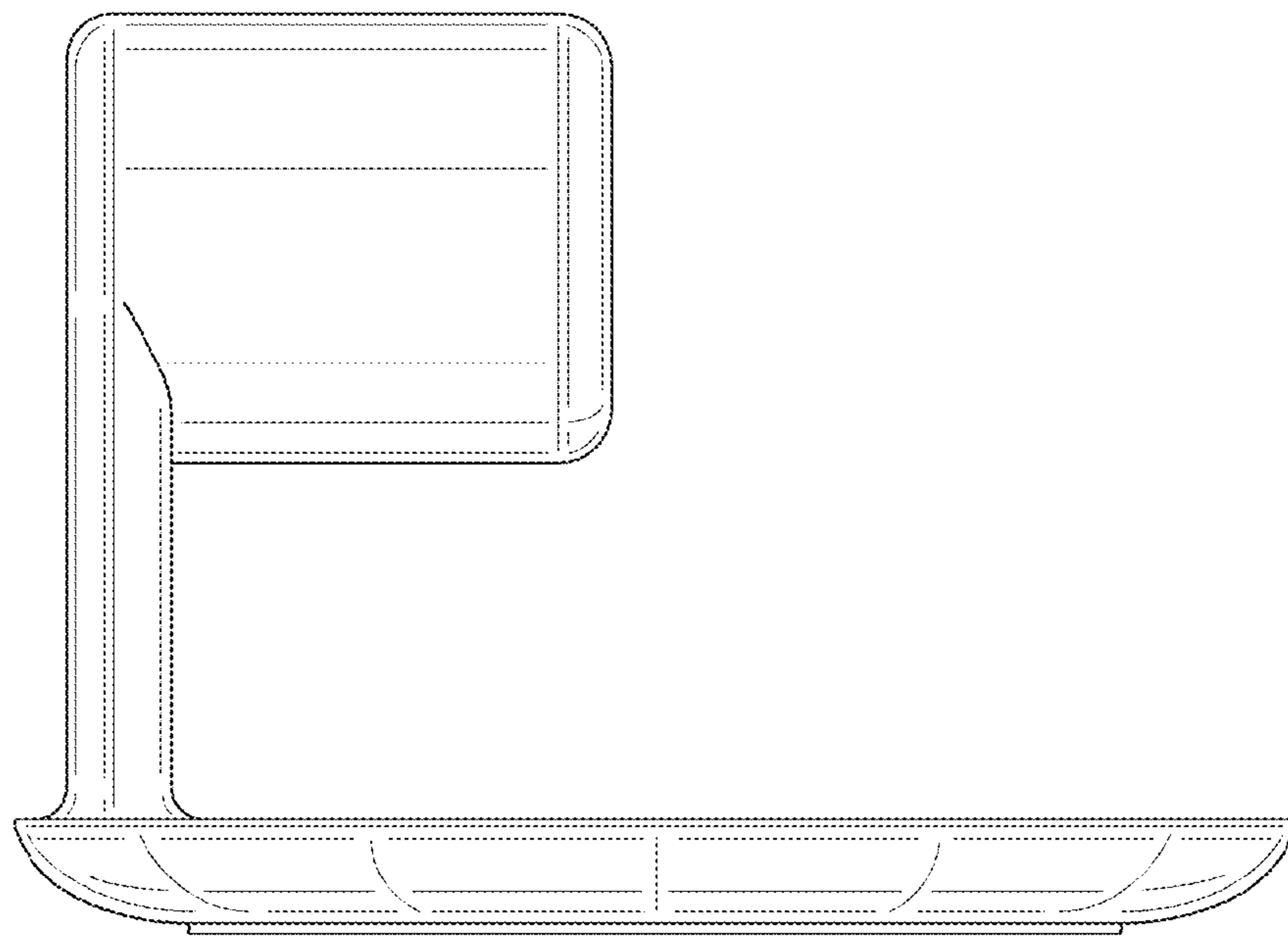


FIG.3

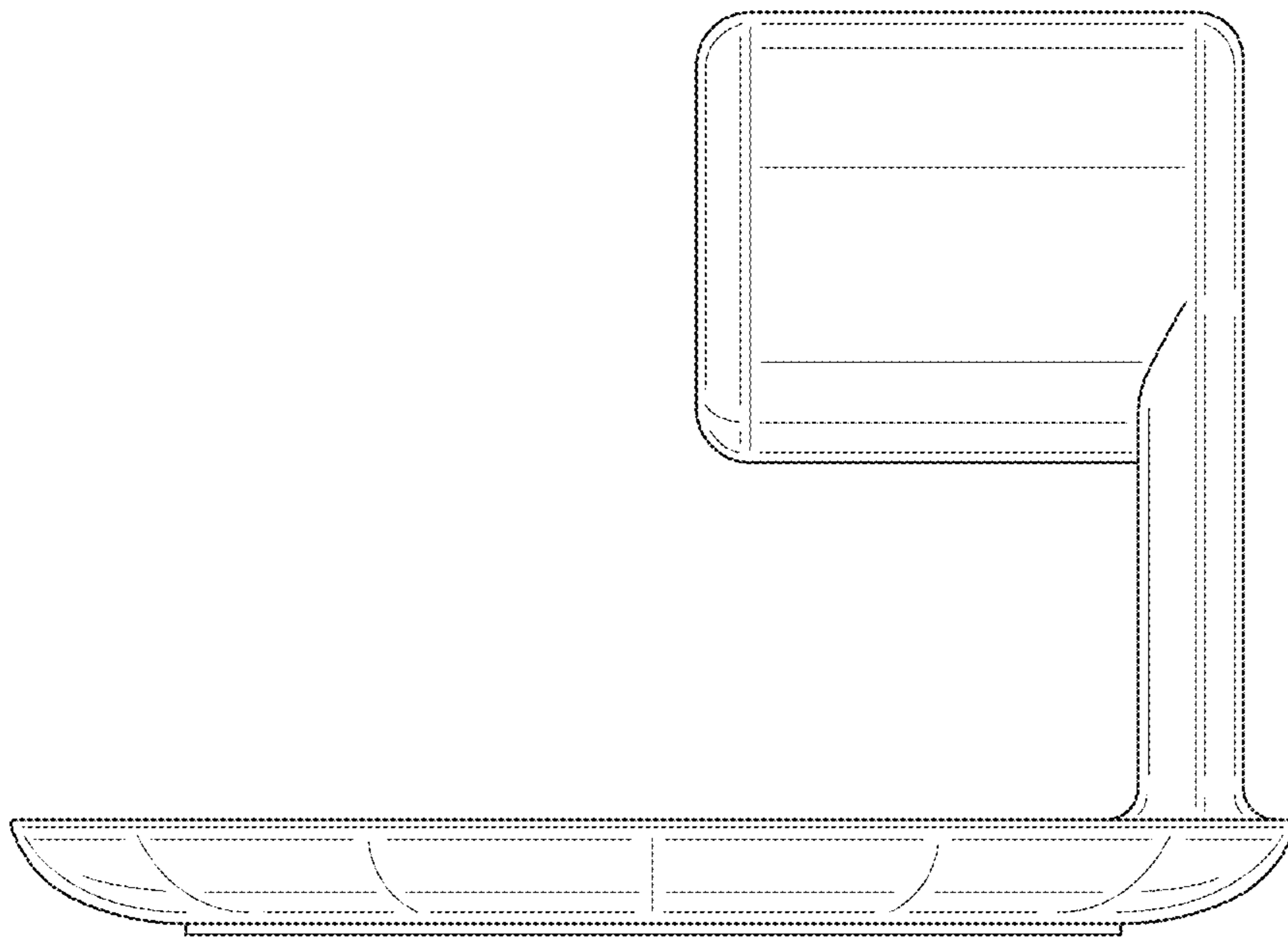


FIG.4

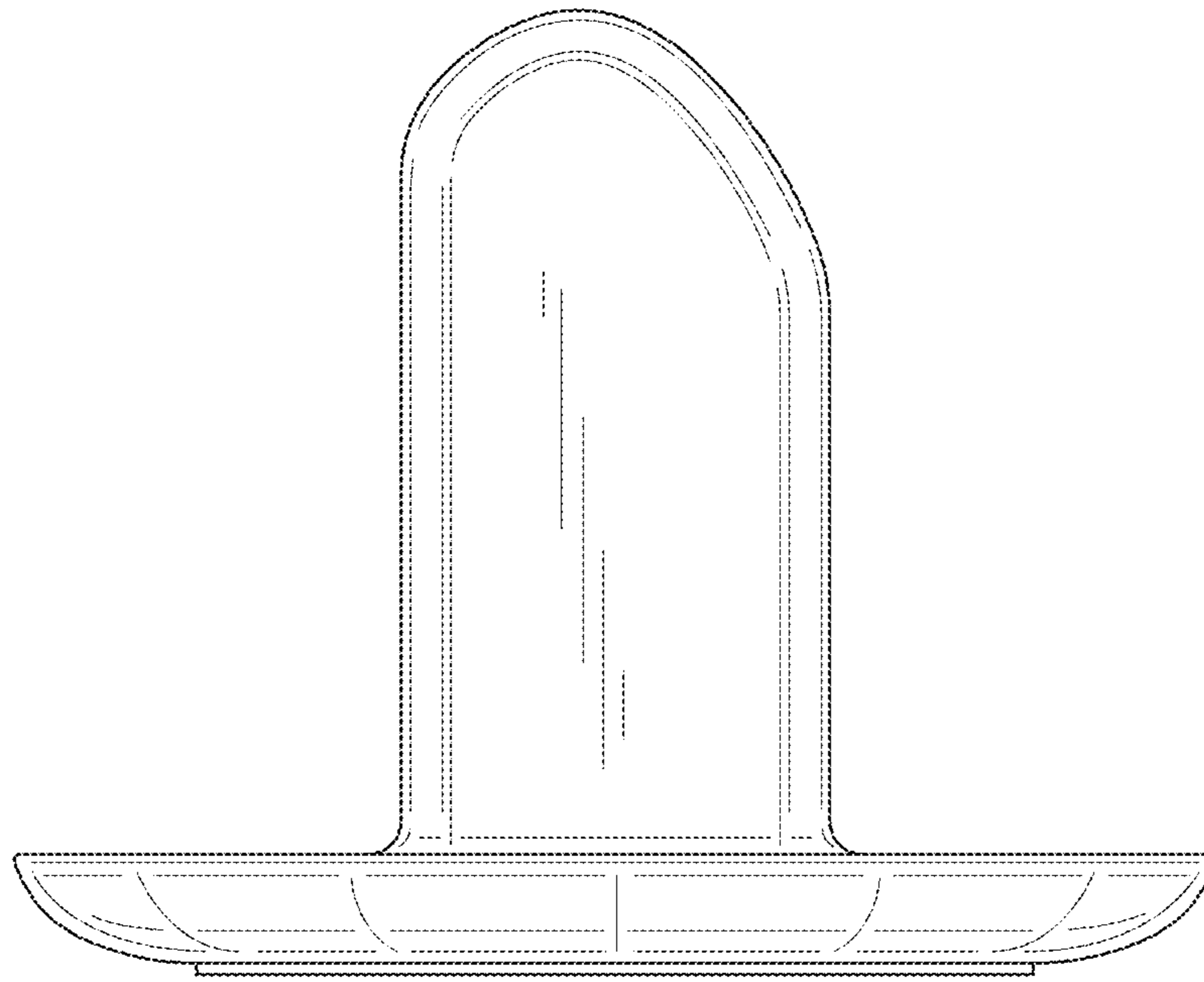


FIG.5

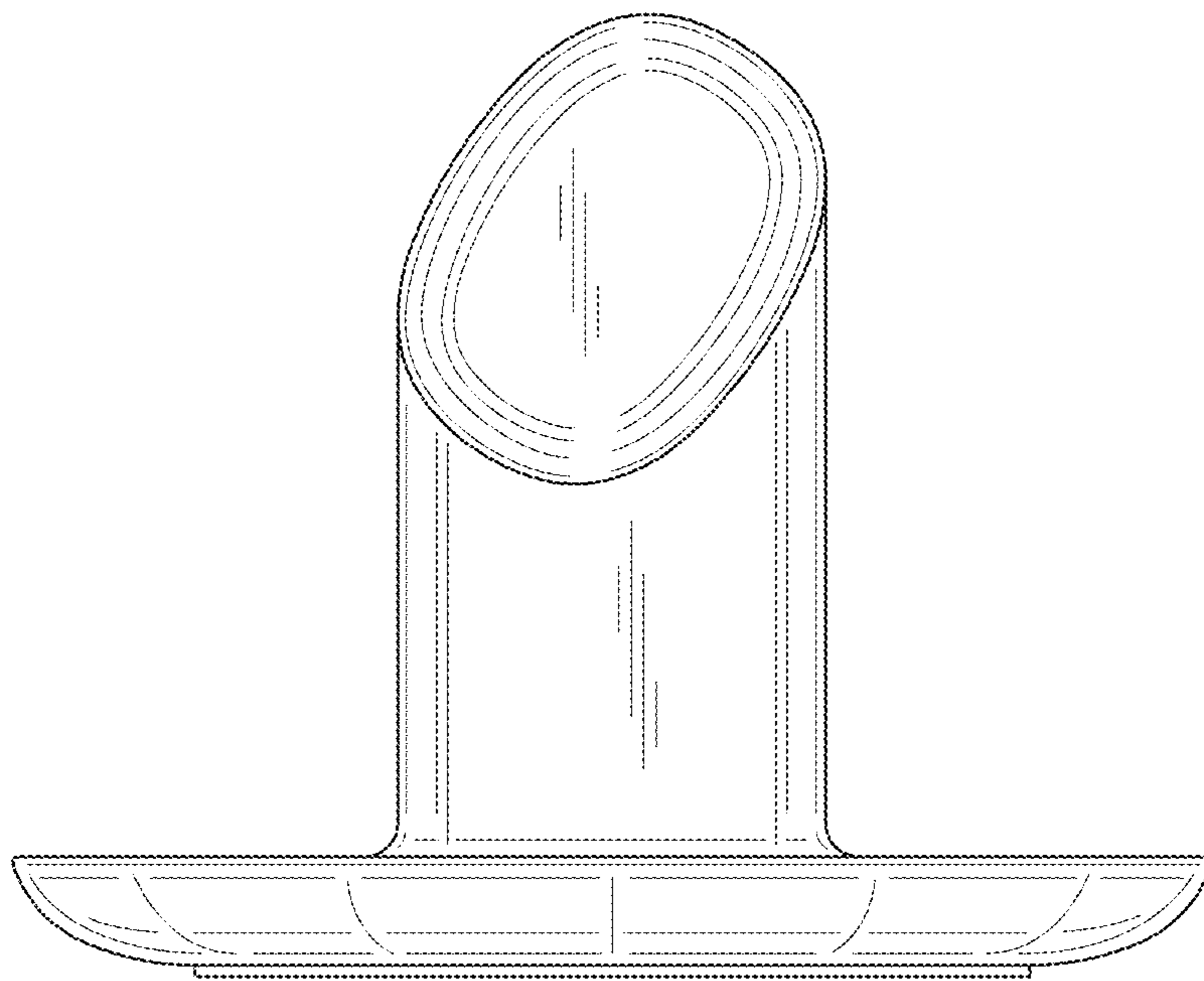


FIG.6

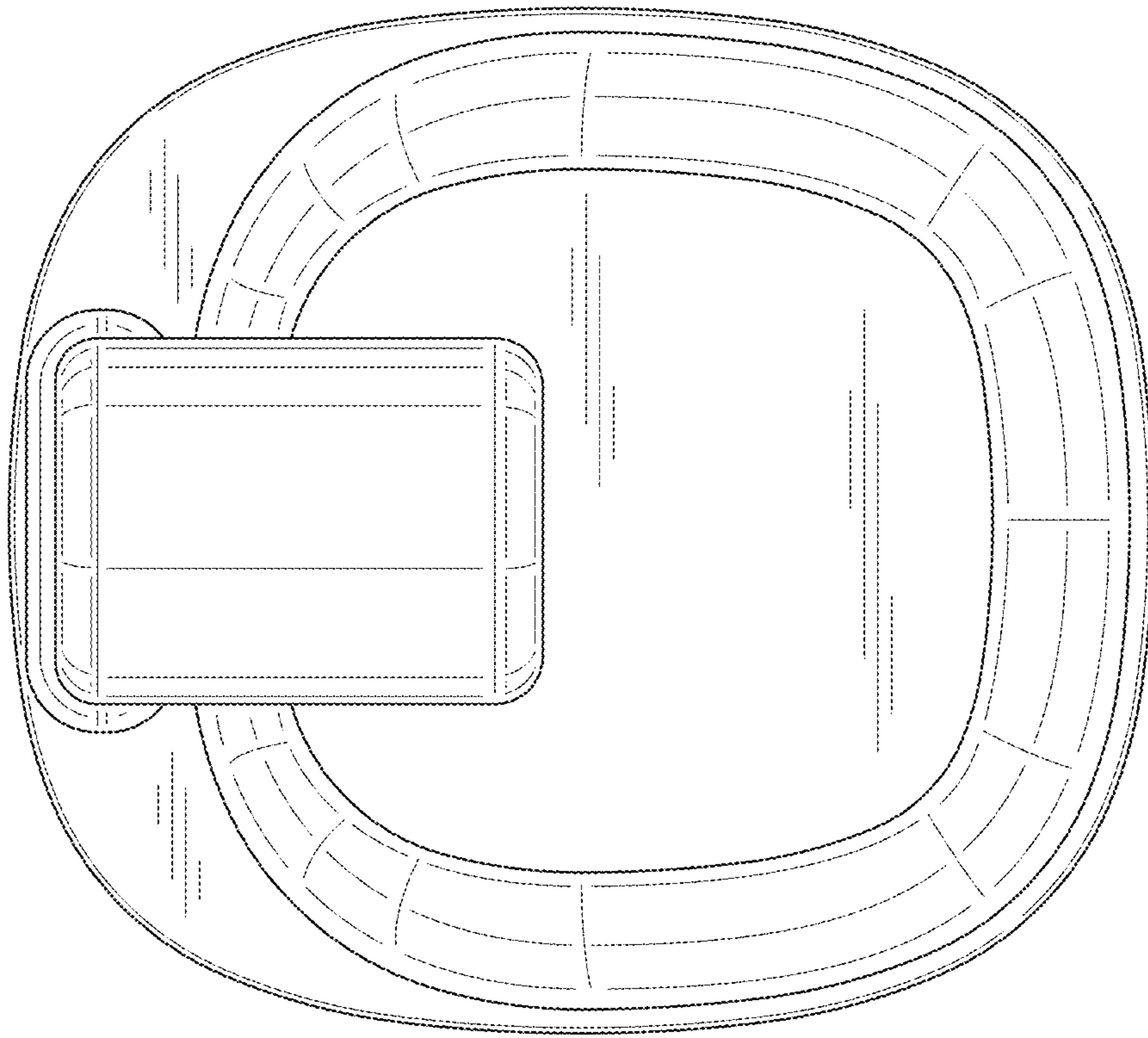
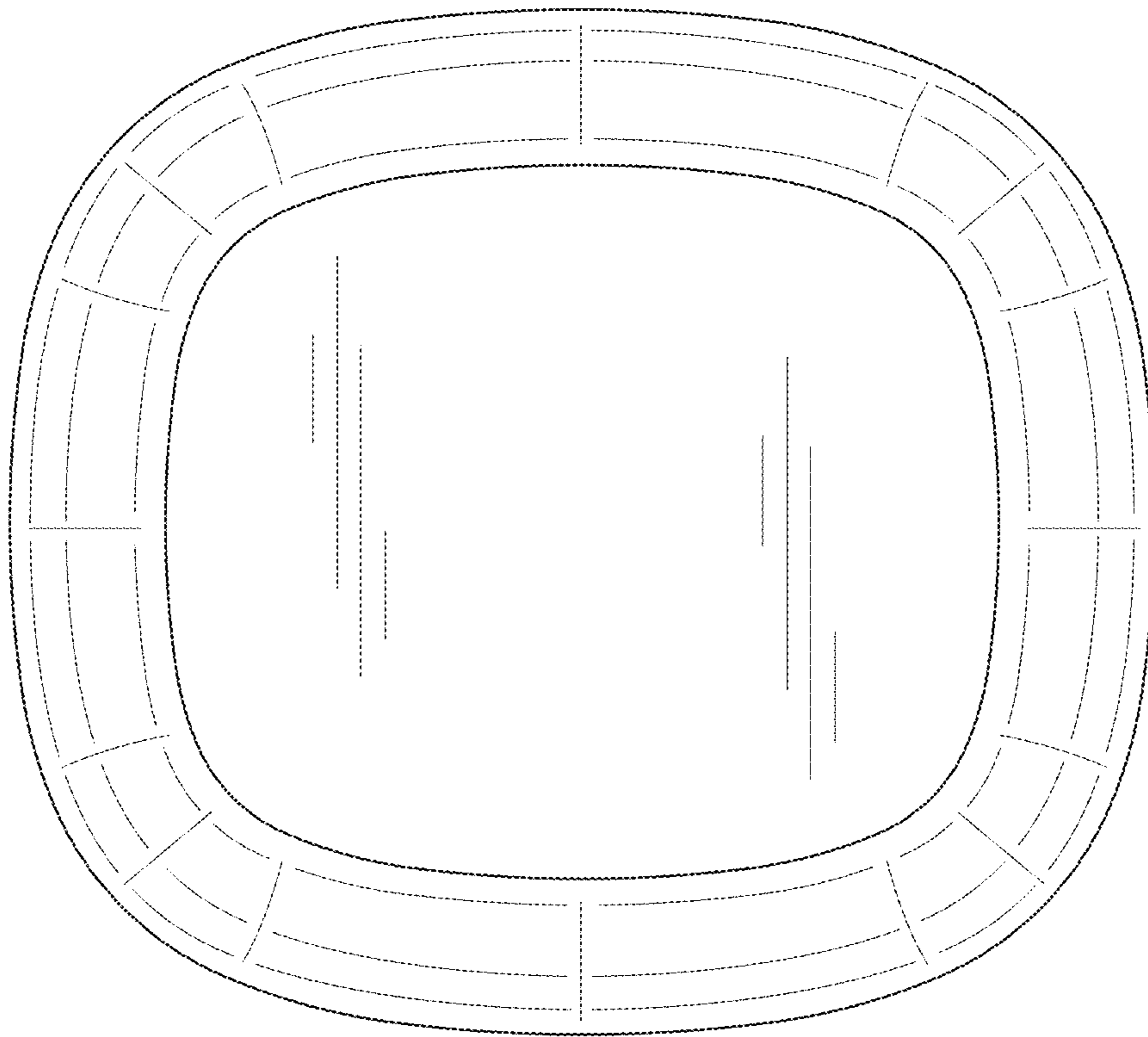


FIG.7



UNITED STATES PATENT AND TRADEMARK OFFICE
CERTIFICATE OF CORRECTION

PATENT NO. : D724,025 S
APPLICATION NO. : 29/477905
DATED : March 10, 2015
INVENTOR(S) : Gregory A. Peek et al.

Page 1 of 1

It is certified that error appears in the above-identified patent and that said Letters Patent is hereby corrected as shown below:

On the Title page, in the Applicants item (71), in line 3, delete “Frank W. Torrey” and insert --Torrey W. Frank --, therefor.

On the Title page, in the Inventors item (72), in line 3, delete “Frank W. Torrey” and insert -- Torrey W. Frank --, therefor.

Signed and Sealed this
Twenty-ninth Day of December, 2015



Michelle K. Lee
Director of the United States Patent and Trademark Office