



US00D724023S

(12) **United States Design Patent**  
**Huang**

(10) **Patent No.:** **US D724,023 S**  
(45) **Date of Patent:** **\*\* Mar. 10, 2015**

(54) **PORTABLE CHARGER**

(71) Applicant: **Congsheng Huang**, Fujian Province  
(CN)

(72) Inventor: **Congsheng Huang**, Fujian Province  
(CN)

(\*\*) Term: **14 Years**

(21) Appl. No.: **29/458,240**

(22) Filed: **Jun. 18, 2013**

(30) **Foreign Application Priority Data**

Dec. 31, 2012 (CN) ..... 2012 3 0665094

(51) **LOC (10) Cl.** ..... **13-02**

(52) **U.S. Cl.**  
USPC ..... **D13/107**

(58) **Field of Classification Search**  
USPC ..... D13/103, 107-110, 118-119, 184, 199;  
D14/251, 253, 432, 434; 320/107-115

See application file for complete search history.

(56) **References Cited**

U.S. PATENT DOCUMENTS

D530,717 S *	10/2006	Mori et al. ....	D14/434
D574,769 S *	8/2008	Fisher et al. ....	D13/108
D578,961 S *	10/2008	Fisher et al. ....	D13/108
D598,375 S *	8/2009	Nomi .....	D13/108
D609,636 S *	2/2010	Jensen .....	D13/108
D633,503 S *	3/2011	Bo et al. ....	D14/434
D637,951 S *	5/2011	Perez .....	D13/108
D667,411 S *	9/2012	Kim .....	D14/434

\* cited by examiner

*Primary Examiner* — Rosemary K Tarcza

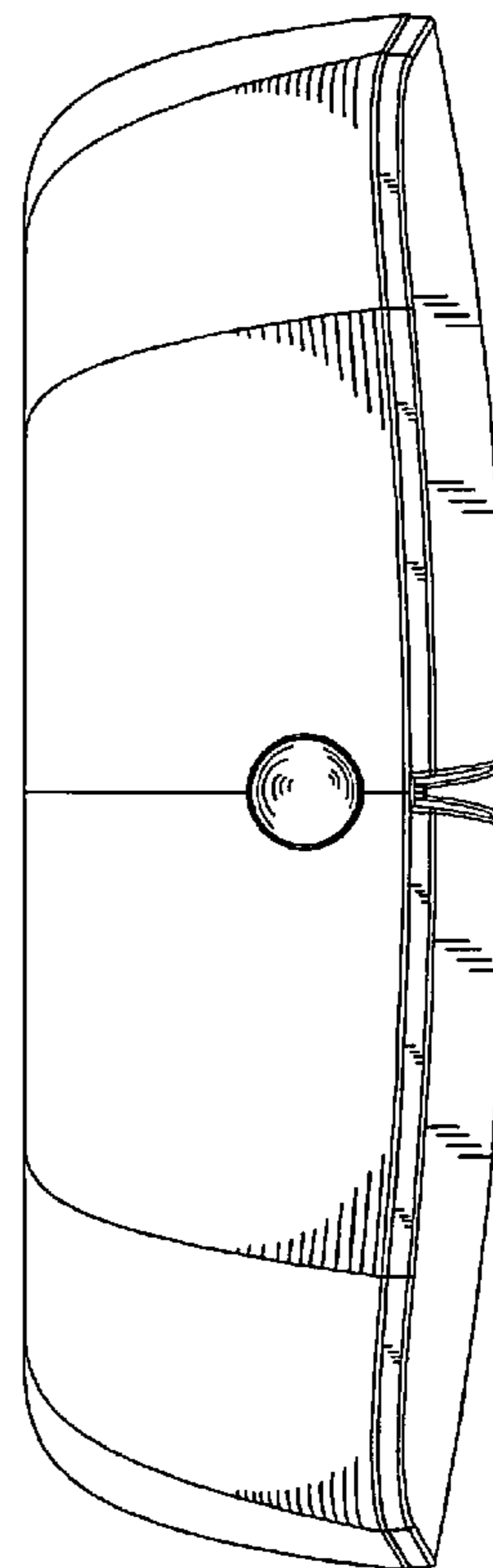
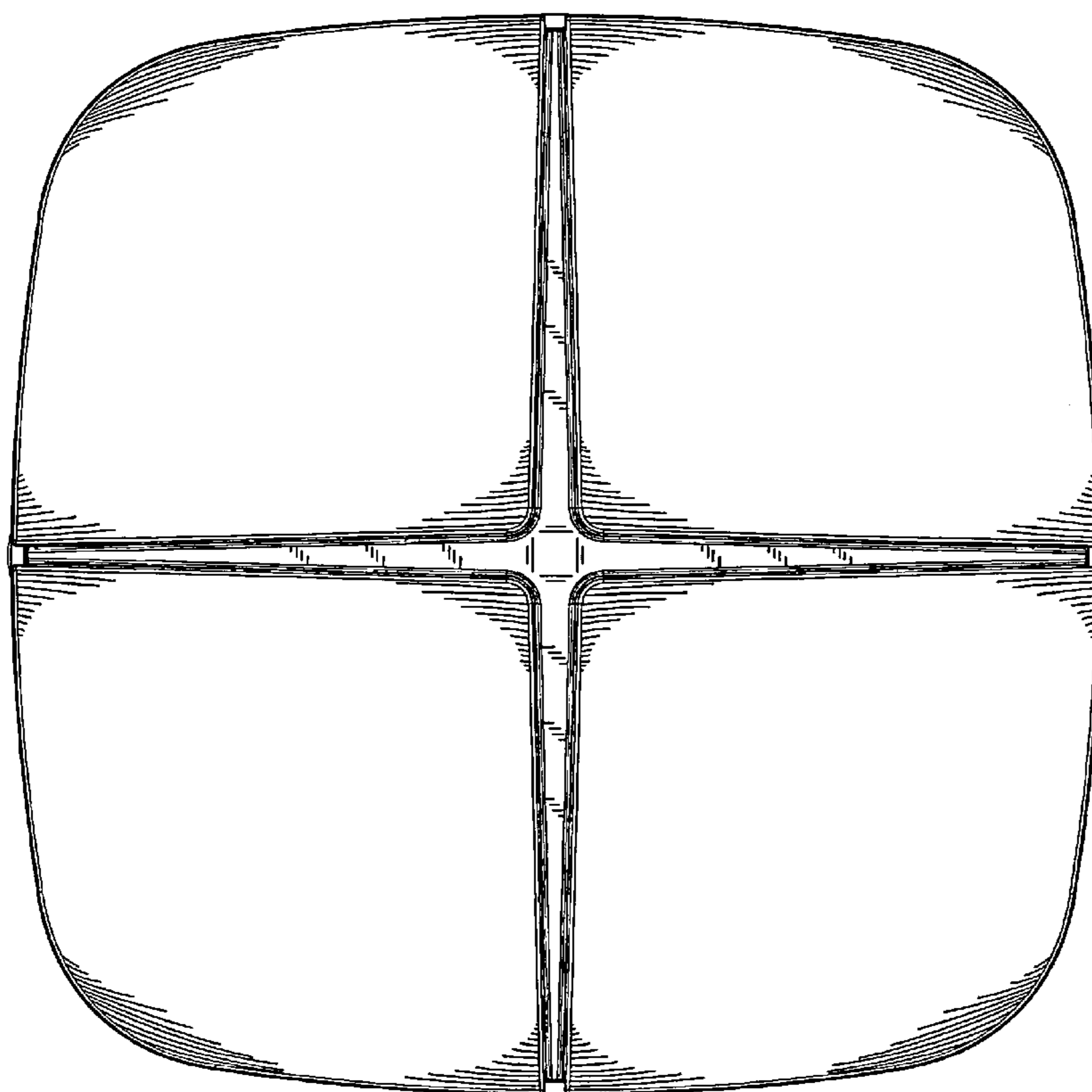
(57) **CLAIM**

The ornamental design for a portable charger, as shown and described.

**DESCRIPTION**

FIG. 1 is a front elevational view of a portable charger showing my new design;  
FIG. 2 is a rear elevational view thereof;  
FIG. 3 is a left side view thereof;  
FIG. 4 is a right side view thereof;  
FIG. 5 is a top plan view thereof; and,  
FIG. 6 is a bottom plan view thereof.  
The broken lines shown form no part of the claimed design.

**1 Claim, 4 Drawing Sheets**



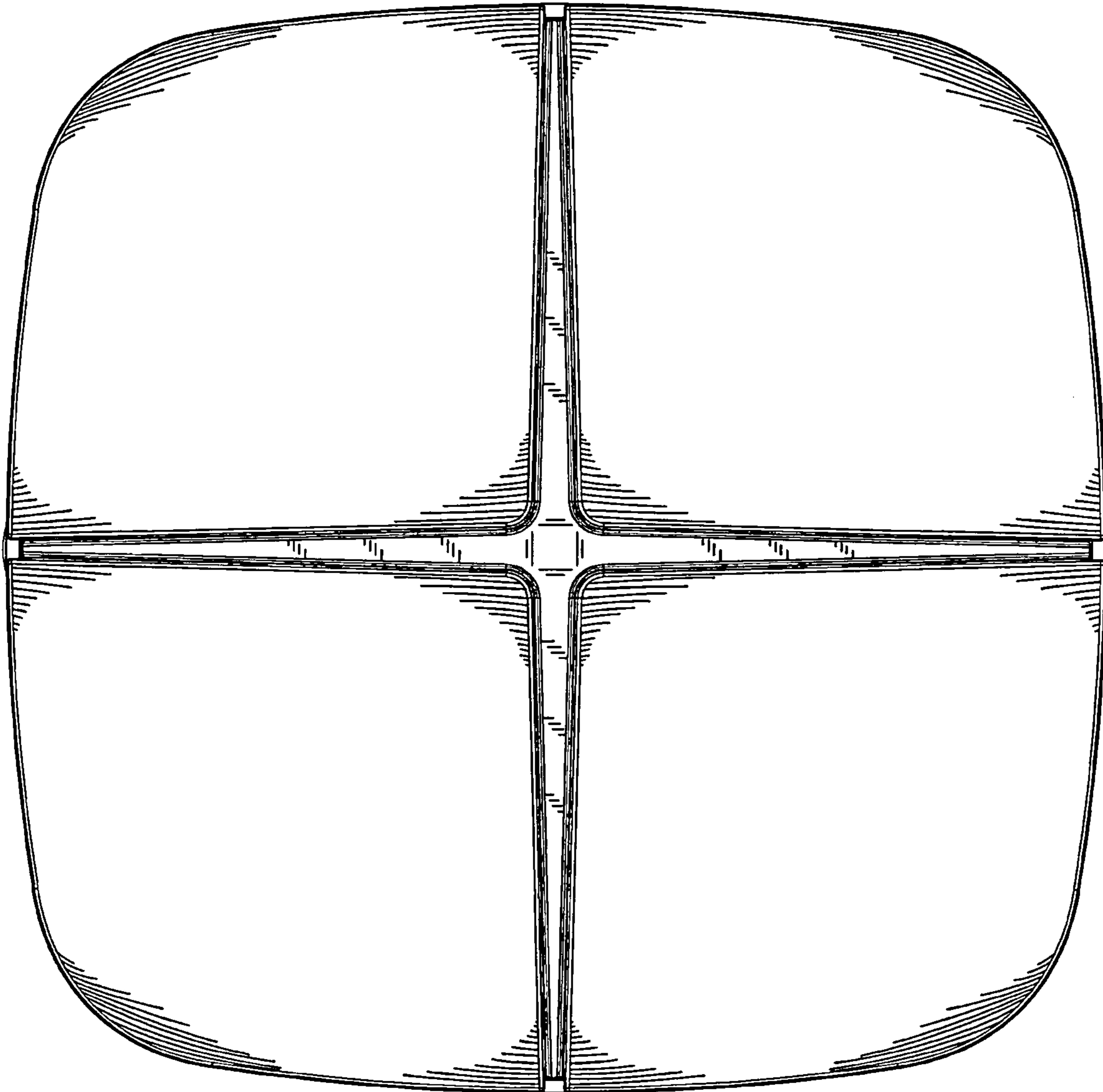


FIG. 1

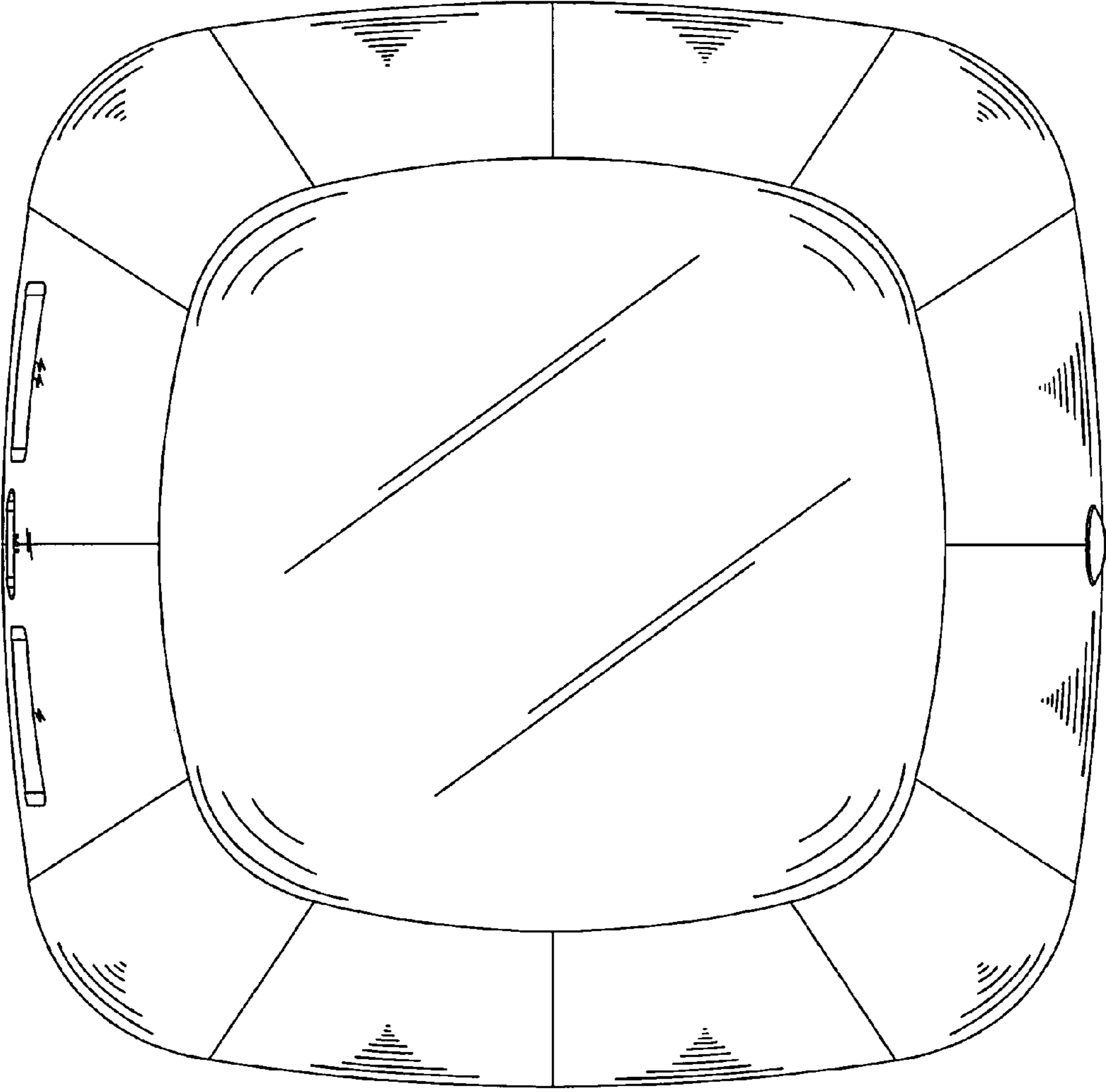


FIG. 2

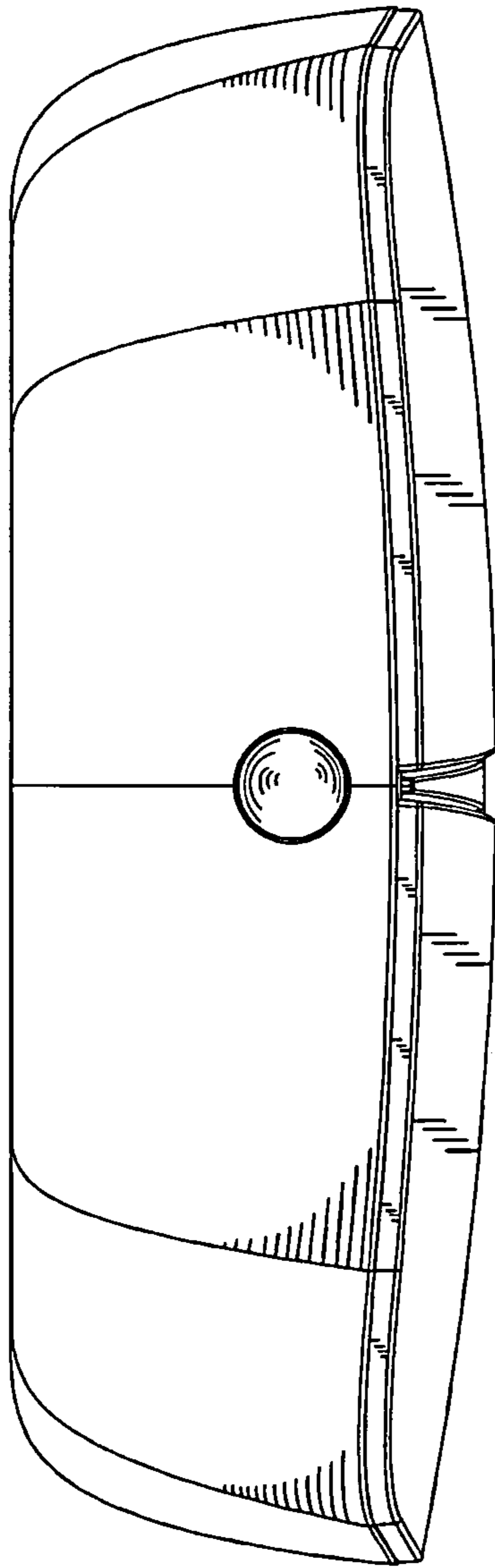


FIG. 3

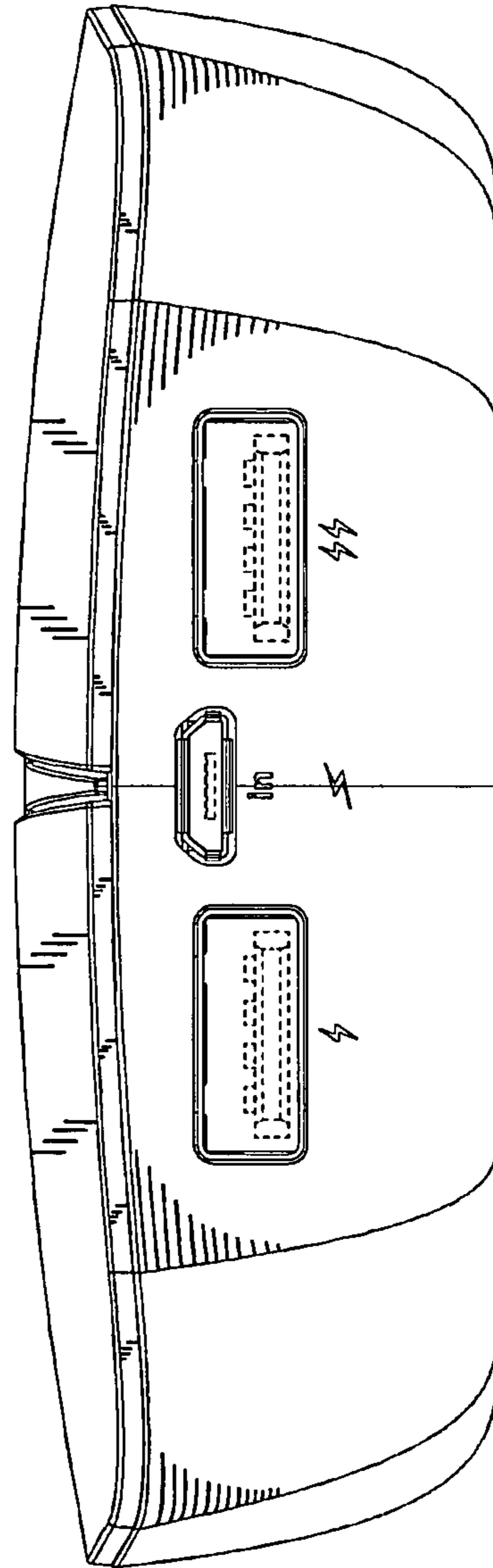


FIG. 4

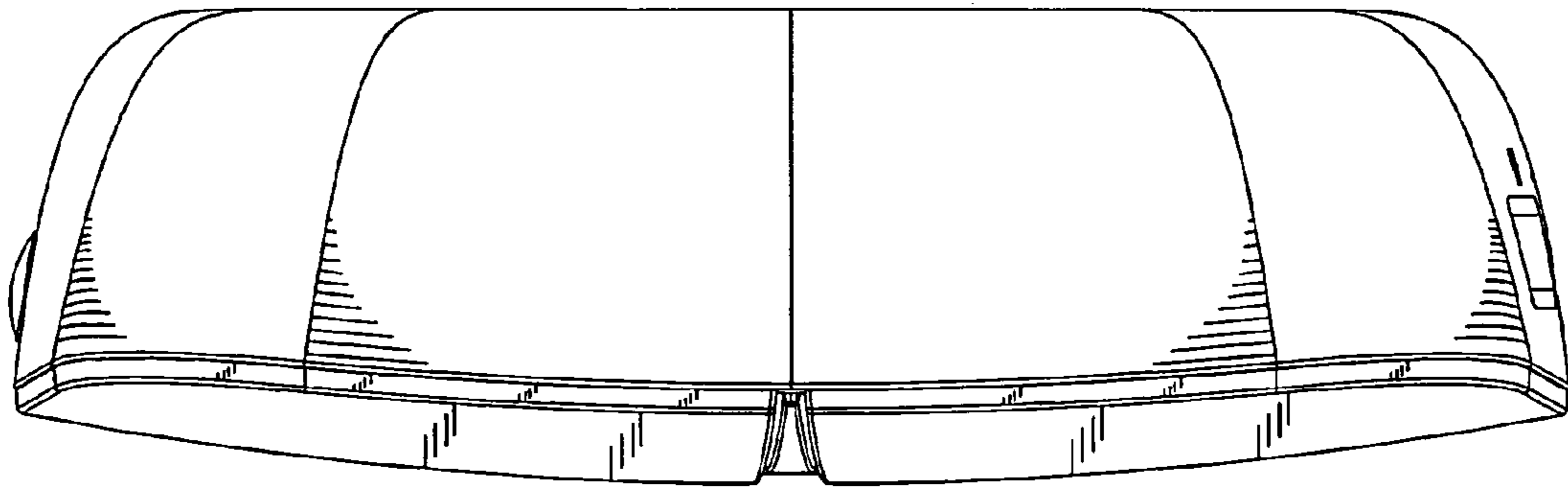


FIG. 5

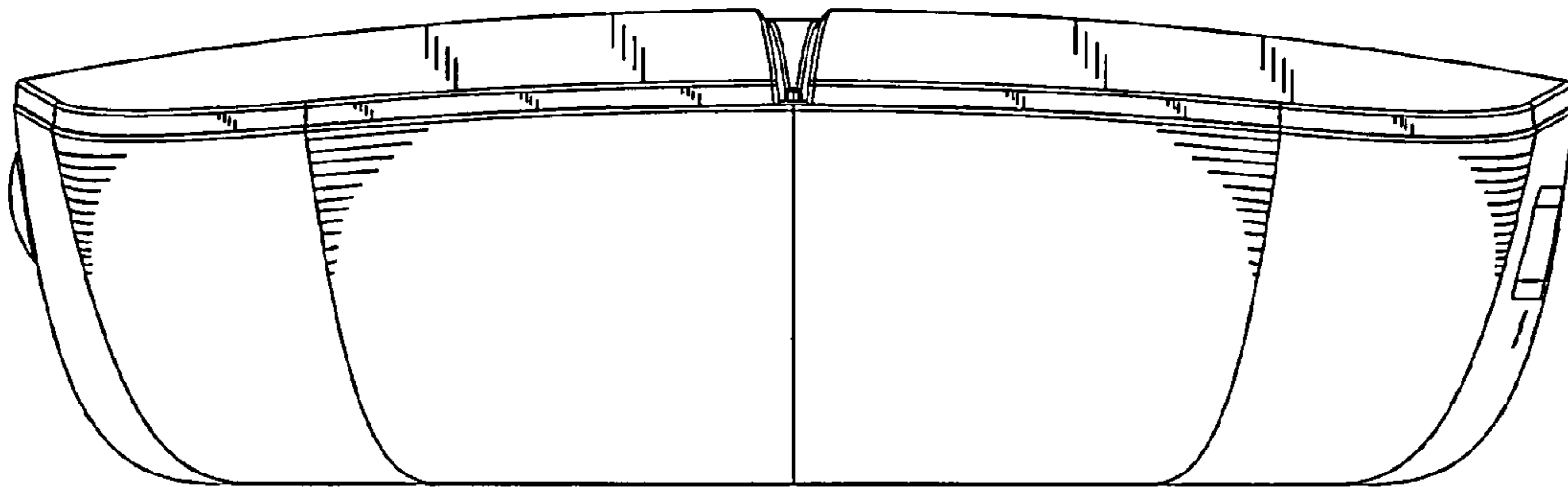


FIG. 6