



US00D724011S

(12) **United States Design Patent**
Keller

(10) **Patent No.:** **US D724,011 S**
(45) **Date of Patent:** **** Mar. 10, 2015**

(54) **SOLAR POWER UNIT**

(76) Inventor: **Alexander Freimark Keller**, Bryn Mawr, PA (US)

(**) Term: **14 Years**

(21) Appl. No.: **29/426,688**

(22) Filed: **Jul. 9, 2012**

(51) **LOC (10) Cl.** **13-02**

(52) **U.S. Cl.**
USPC **D13/102**

(58) **Field of Classification Search**
USPC D13/101, 102, 107, 184, 199; D25/55,
D25/57; 52/74, 77, 78; 126/569, 571, 577,
126/600, 603, 605, 606, 608, 704;
136/243–246, 251; 320/101
See application file for complete search history.

(56) **References Cited**

U.S. PATENT DOCUMENTS

D630,576 S *	1/2011	Plaisted et al.	D13/102
8,156,692 B2 *	4/2012	Saurey et al.	52/96
D671,885 S *	12/2012	Steinau	D13/102
D676,374 S *	2/2013	Chu	D13/102
D699,666 S *	2/2014	Moyal	D13/102
D701,827 S *	4/2014	Turk et al.	D13/102
D707,623 S *	6/2014	Marks	D13/102
D708,569 S *	7/2014	Beckerman et al.	D13/102
2012/0174913 A1 *	7/2012	Salzer	126/704

2013/0298968 A1 *	11/2013	Laitila et al.	136/251
2013/0312812 A1 *	11/2013	Meyer et al.	136/246
2014/0069485 A1 *	3/2014	Rawlings et al.	136/251
2014/0090707 A1 *	4/2014	Almogly et al.	136/259

* cited by examiner

Primary Examiner — Thomas Johannes

Assistant Examiner — Khawaja Anwar

(74) *Attorney, Agent, or Firm* — Nields, Lemack & Frame, LLC

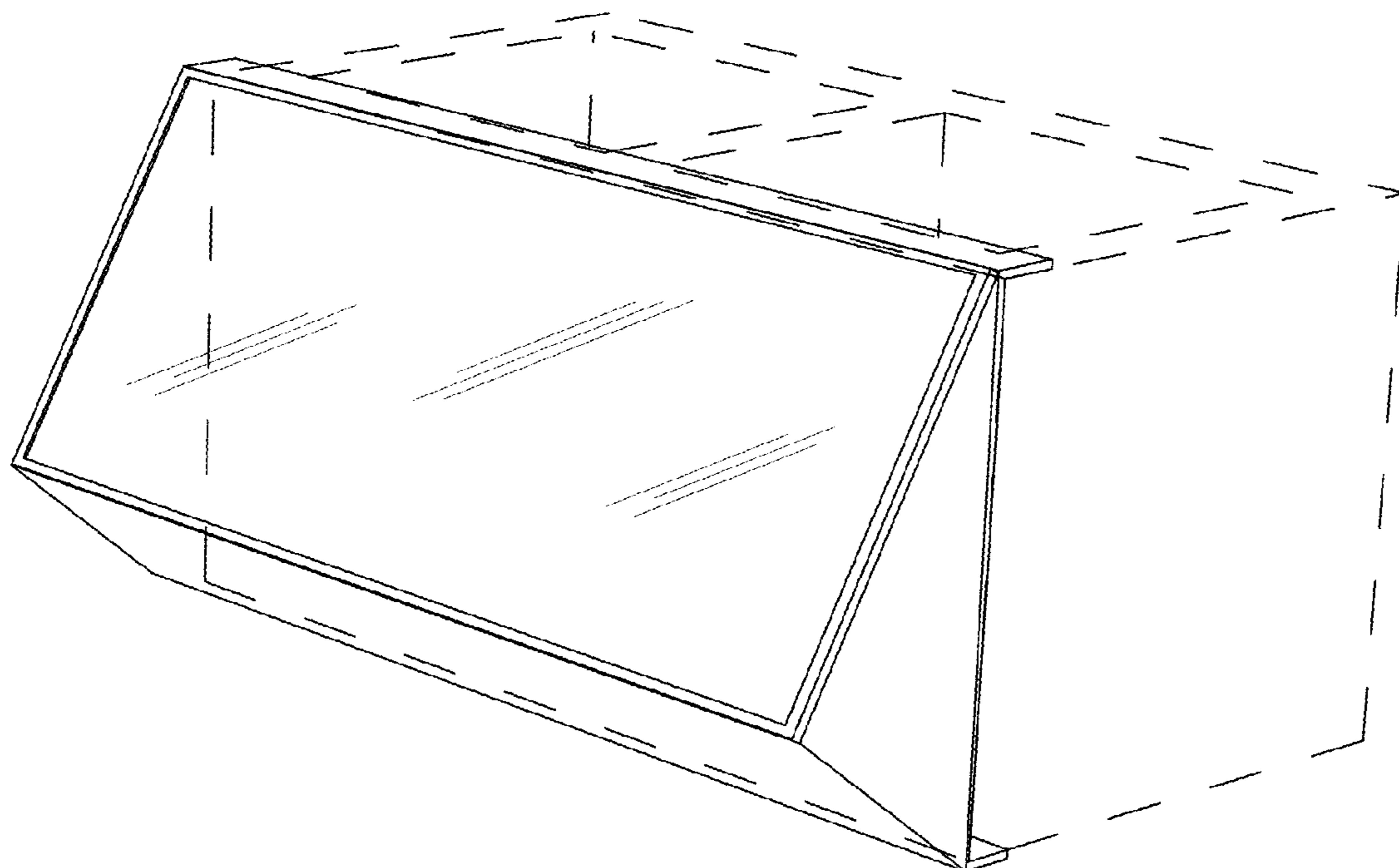
(57) **CLAIM**

The ornamental design for solar power unit, as shown and described.

DESCRIPTION

FIG. 1 is a perspective front view of a solar power unit showing my new design;
FIG. 2 is a perspective rear view thereof;
FIG. 3 is a front plan view thereof;
FIG. 4 is a back plan view thereof;
FIG. 5 is a top plan view thereof;
FIG. 6 is a bottom plan view thereof;
FIG. 7 is a right side view thereof; the left side view is a mirror image thereto; and,
FIG. 8 is a perspective front view thereof shown in use in an unclaimed environment.
The broken lines shown in FIGS. 1, 7 and 8 show unclaimed environment only and form no part of the claimed design.

1 Claim, 8 Drawing Sheets



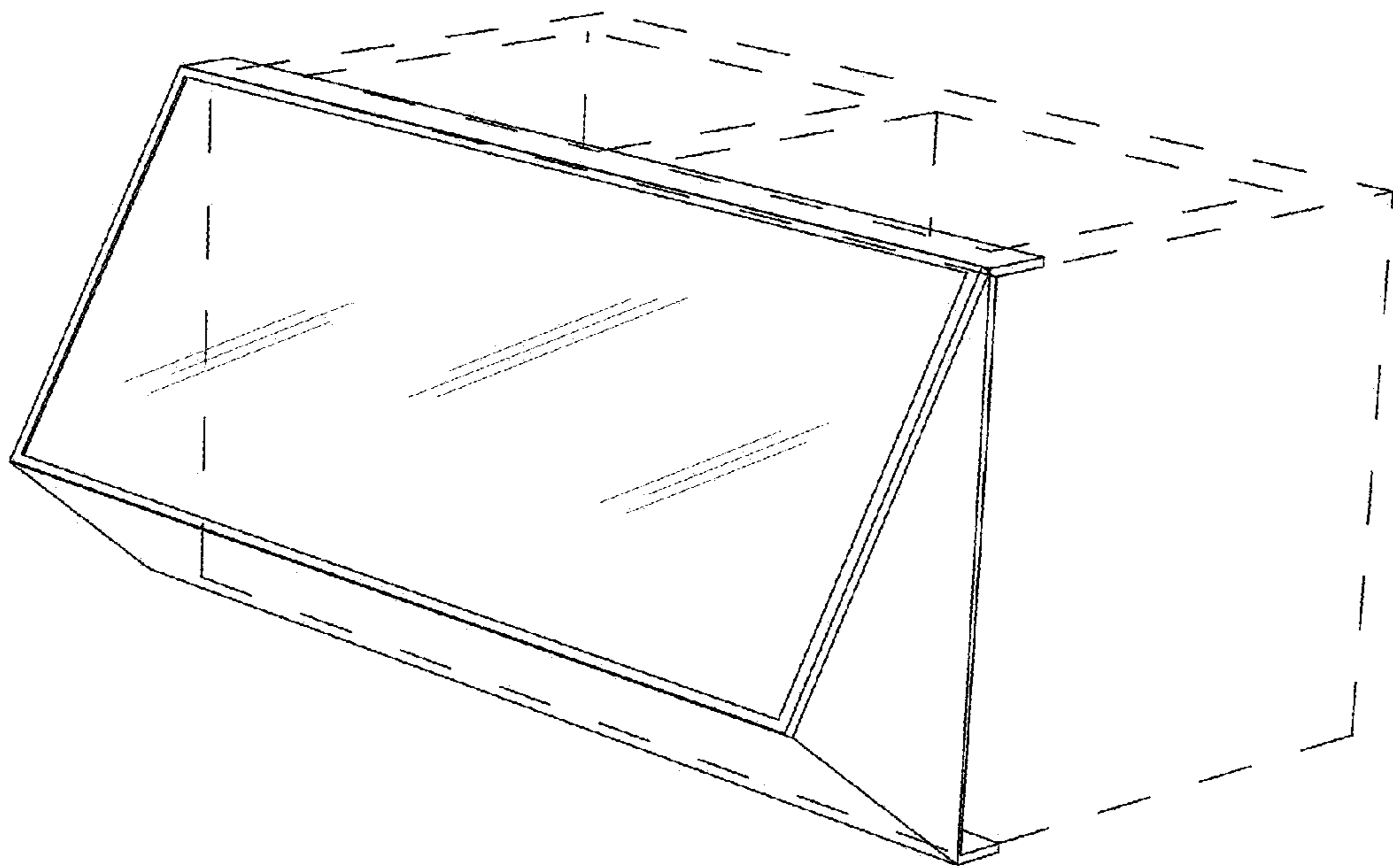


Fig. 1

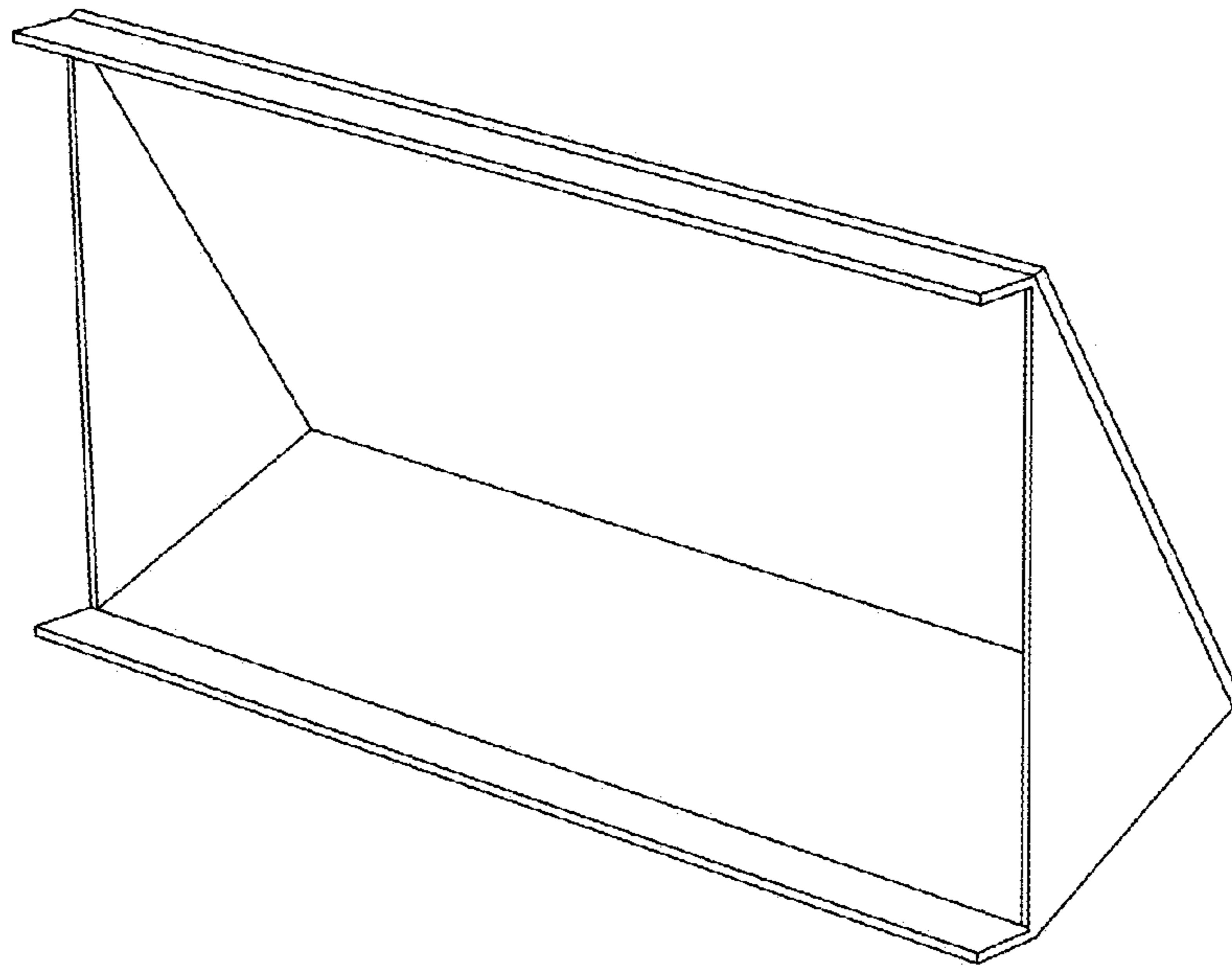


Fig. 2

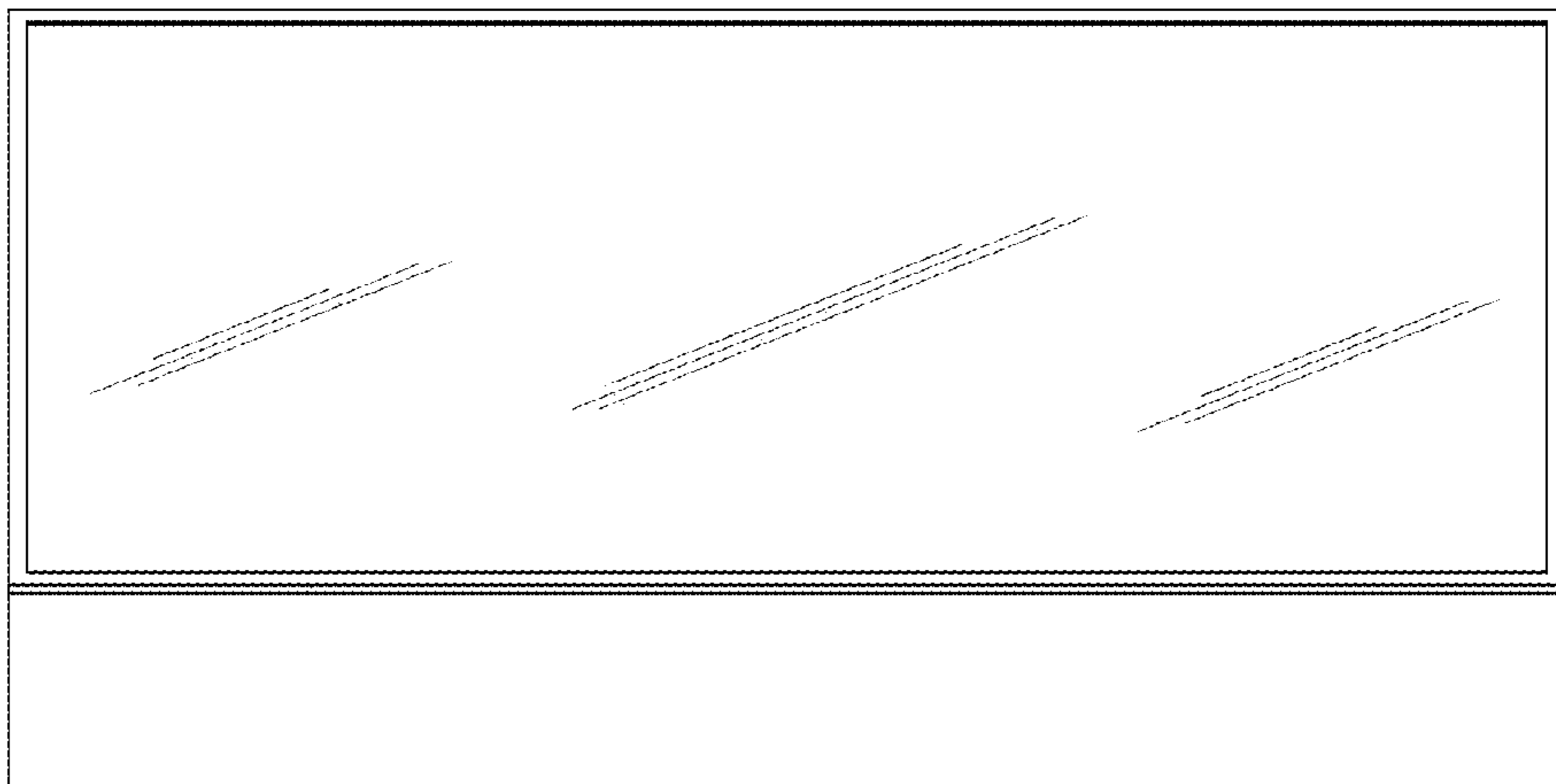


Fig. 3

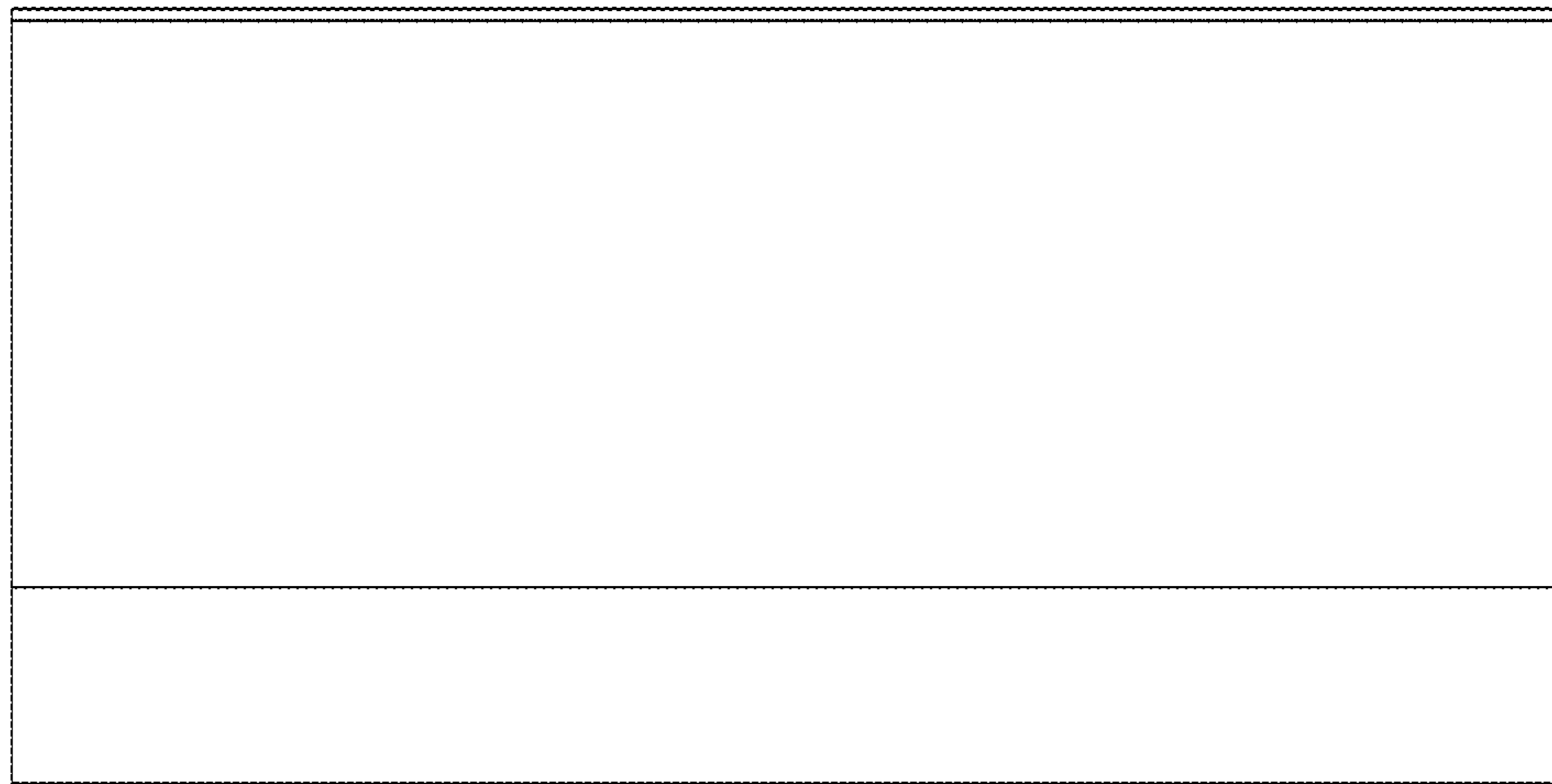


Fig. 4

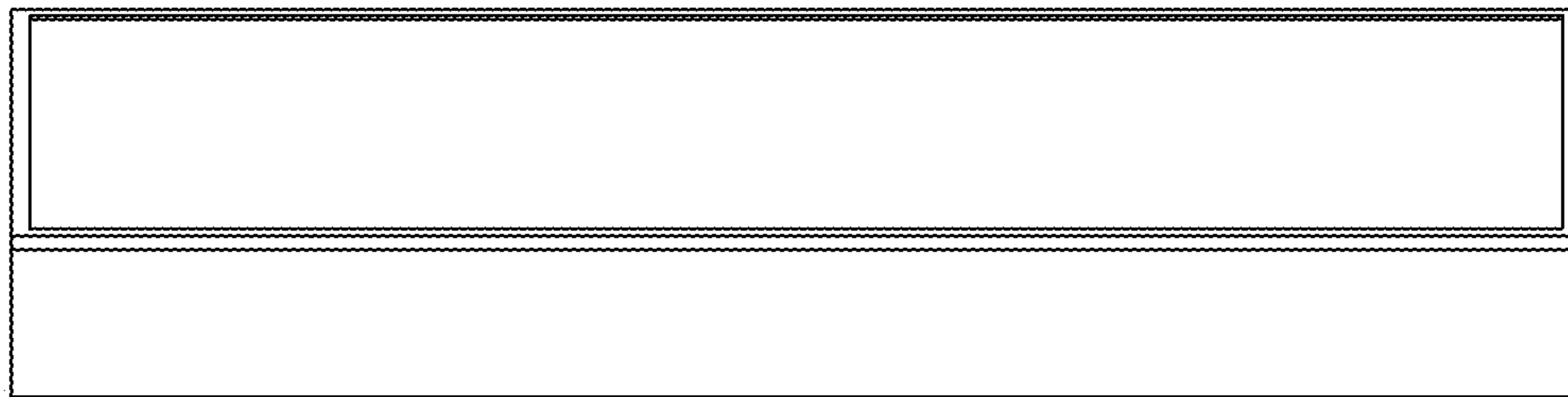


Fig. 5

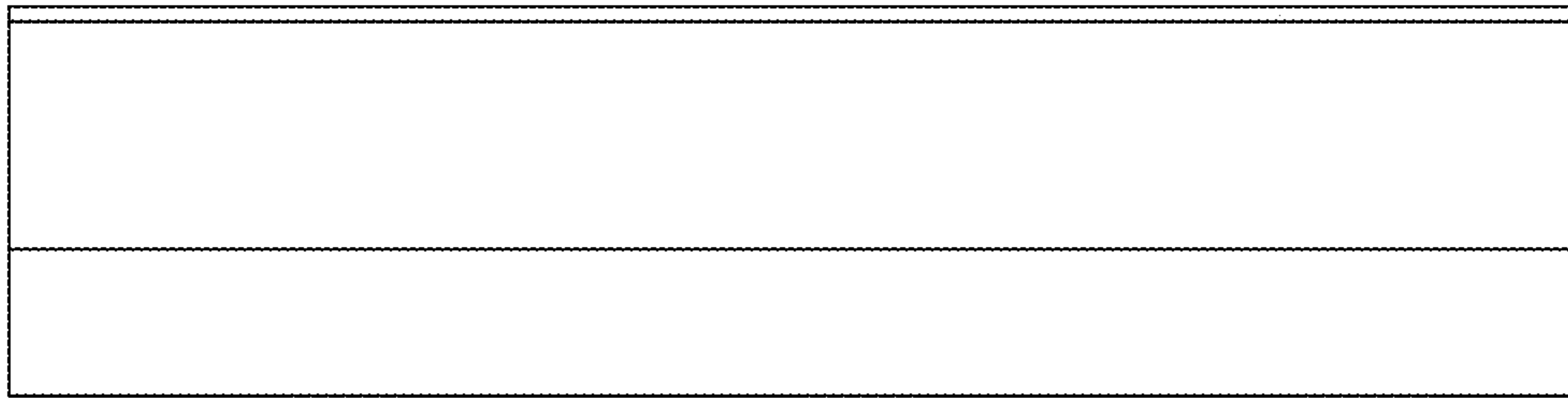


Fig. 6

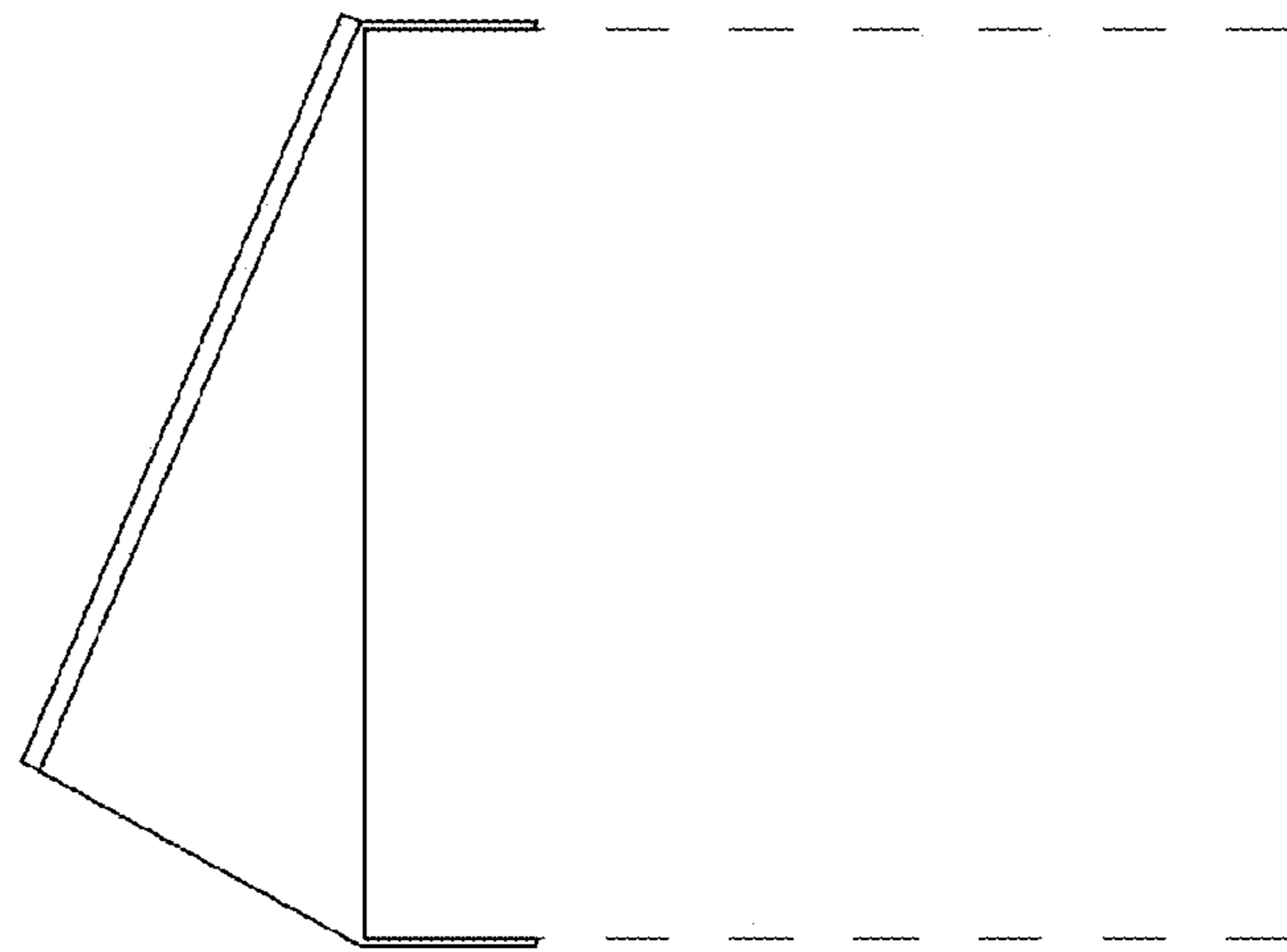


Fig. 7

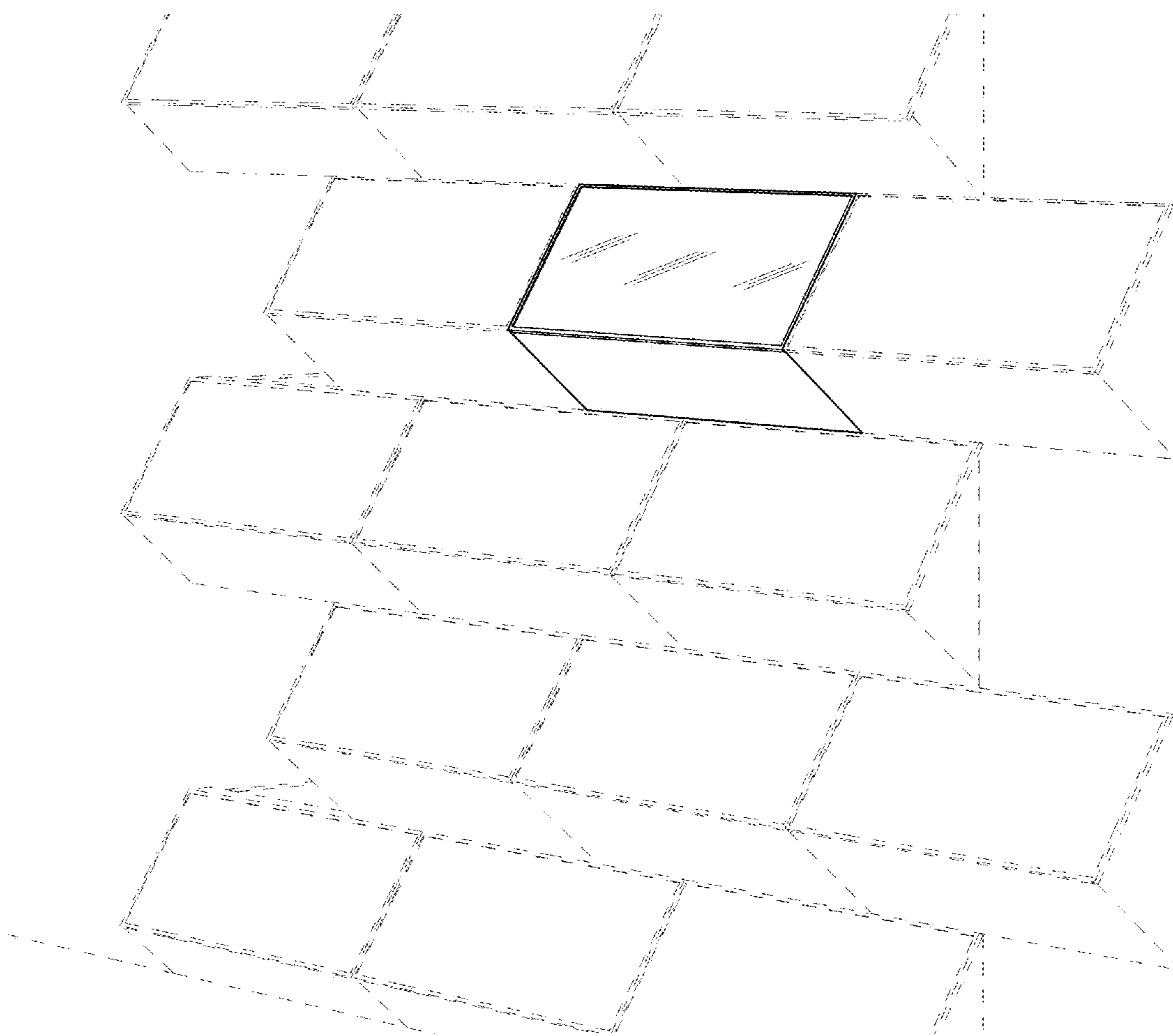


Fig. 8