



US00D724008S

(12) **United States Design Patent**
Mathonet et al.

(10) **Patent No.:** **US D724,008 S**

(45) **Date of Patent:** **** *Mar. 10, 2015**

- (54) **TIRE**
- (71) Applicant: **The Goodyear Tire & Rubber Company, Akron, OH (US)**
- (72) Inventors: **Vincent Benoit Mathonet, Harze (BE); Daniel Scheuren, Arlon (BE); Philippe Joseph Auguste Muller, Champlon (BE); Laurent Luigi Domenico Colantonio, Bastogne (BE); Julien Caroux, Mertzig (LU); Markus Johannes Gross, Mettlach (DE)**
- (73) Assignee: **The Goodyear Tire & Rubber Company, Akron, OH (US)**

D455,998 S	4/2002	Heinen et al.	D12/566
D471,151 S	3/2003	Otsuji	D12/559
D471,509 S	3/2003	Graas	D12/545
D512,682 S	12/2005	Krenz et al.	D12/564
D549,157 S	8/2007	Maus et al.	D12/544
D577,657 S	9/2008	Maus et al.	D12/544
D589,874 S	4/2009	Fontaine et al.	D12/564
D596,559 S	7/2009	Scheuren	D12/579
D599,731 S	9/2009	Scheuren	D12/566
D608,726 S *	1/2010	Tanaka	D12/566
D656,085 S	3/2012	Maus et al.	D12/544
D685,723 S *	7/2013	Shin et al.	D12/545

* cited by examiner

(*) Notice: This patent is subject to a terminal disclaimer.

(**) Term: **14 Years**

(21) Appl. No.: **29/457,154**

(22) Filed: **Jun. 7, 2013**

(51) **LOC (10) Cl.** **12-15**

(52) **U.S. Cl.**
USPC **D12/564**

(58) **Field of Classification Search**
USPC D12/533-567; 152/209.1-209.9
See application file for complete search history.

(56) **References Cited**

U.S. PATENT DOCUMENTS

D302,412 S	7/1989	Goergen et al.	D12/146
D322,237 S	12/1991	Nakatani	D12/147
D363,456 S *	10/1995	Graas et al.	D12/544
D370,196 S	5/1996	Graas et al.	D12/147
D385,519 S	10/1997	de Briey-Terlinden et al.	D12/147
D395,265 S	6/1998	Graas	D12/147
D399,798 S	10/1998	Grosskopf et al.	D12/147
D400,832 S	11/1998	Dixon et al.	D12/147
D441,696 S	5/2001	Fierro et al.	D12/147

Primary Examiner — George D Kirschbaum

(74) *Attorney, Agent, or Firm* — Richard B O'Planick

(57) **CLAIM**

The ornamental design for a tire, as shown and described.

DESCRIPTION

FIG. 1 is a perspective view of a tire showing our new design, it being understood that the pattern repeats uniformly throughout the circumference of the tread;

FIG. 2 is a front elevational view thereof;

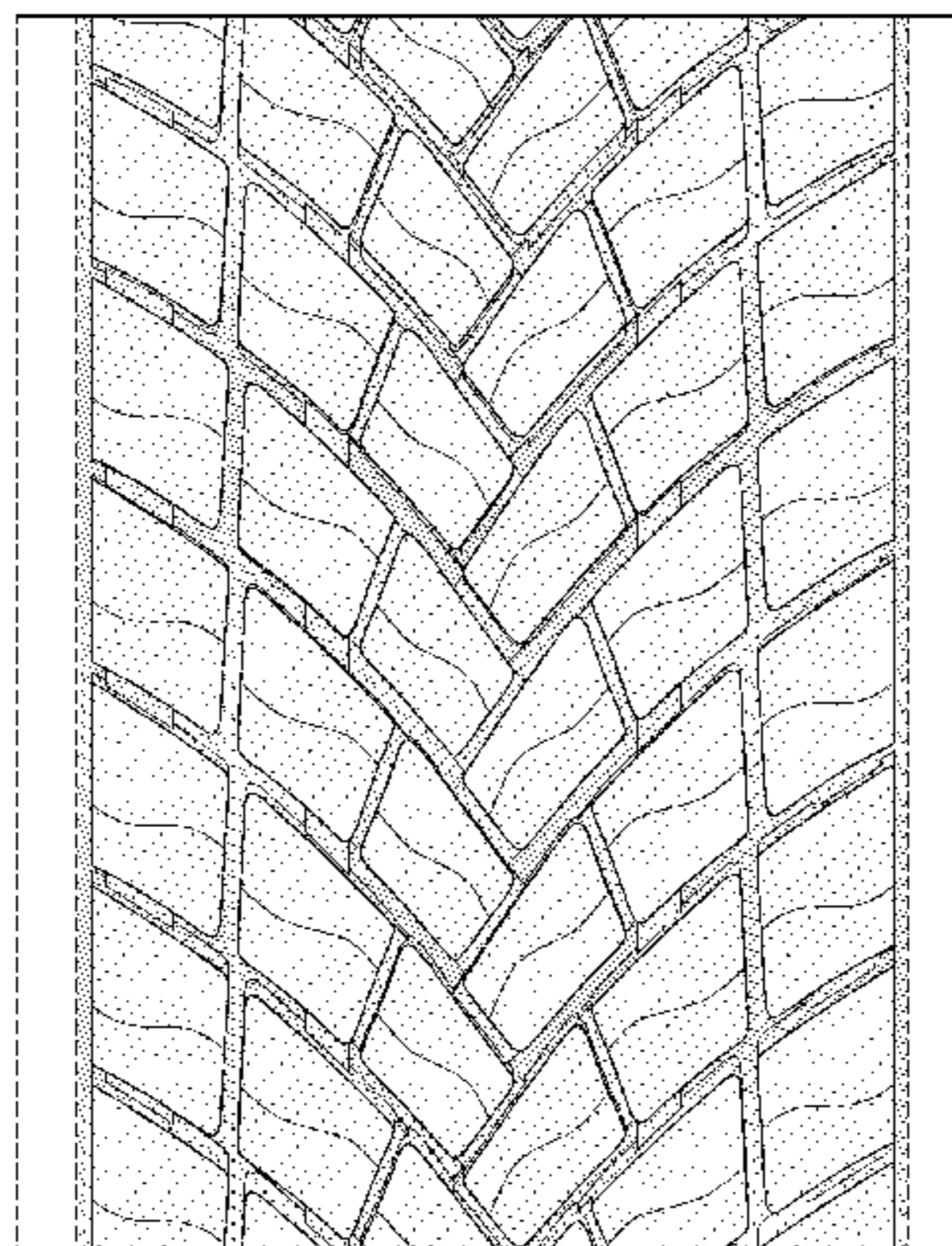
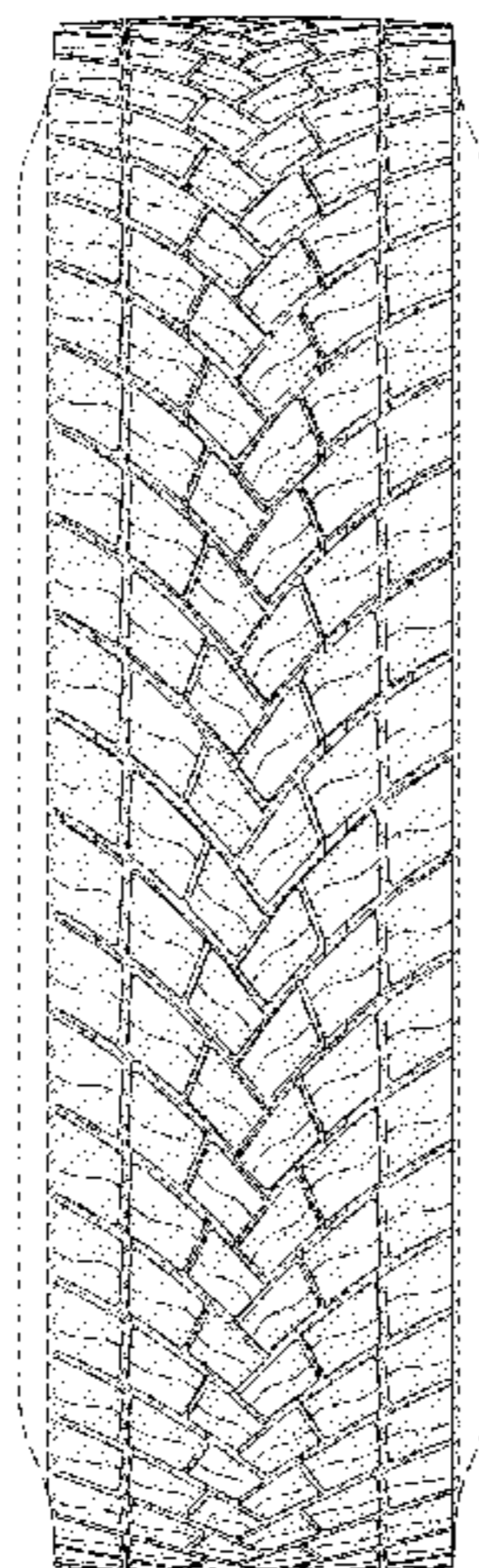
FIG. 3 is a right side elevational view thereof; the other side being a mirror image thereof;

FIG. 4 is an enlarged fragmentary front elevational view thereof;

FIG. 5 is a perspective view of a second embodiment of a tire showing our new design, it being understood that the pattern repeats uniformly throughout the circumference of the tread and that the opposite side view is a mirror image thereof; and, FIG. 6 is a front elevational view of a second embodiment, it being understood that an enlarged fragmentary view thereof would be substantially identical to that shown in FIG. 4, with the exception of the inclusion of the sidewall in solid lines.

In the drawings, the broken lines showing of the sidewall, inner bead and the peripheral boundary between the tire tread and the sidewall in FIGS. 1 through 4 depict environmental subject matter and form no part of the claimed design.

1 Claim, 6 Drawing Sheets



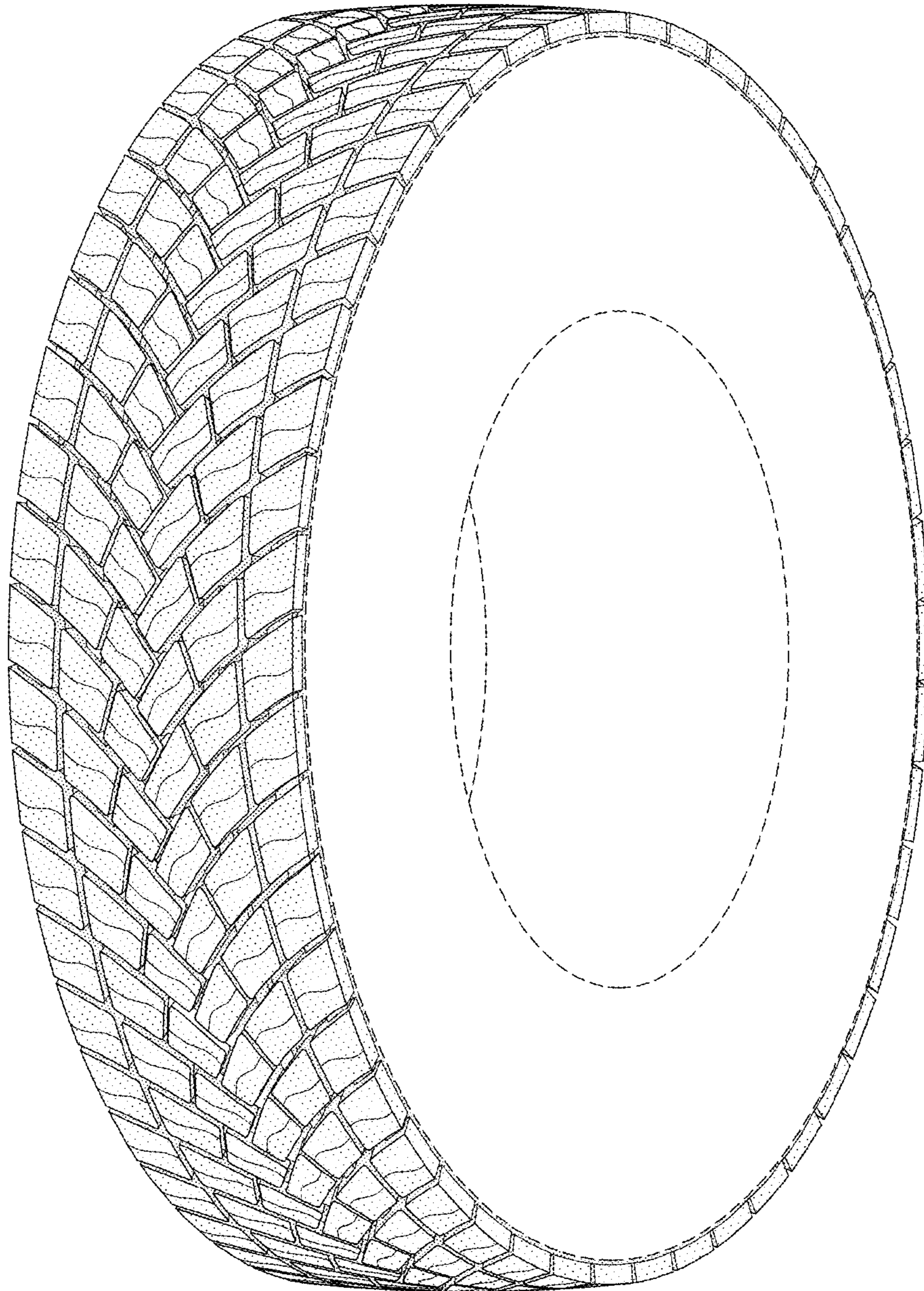


FIG-1

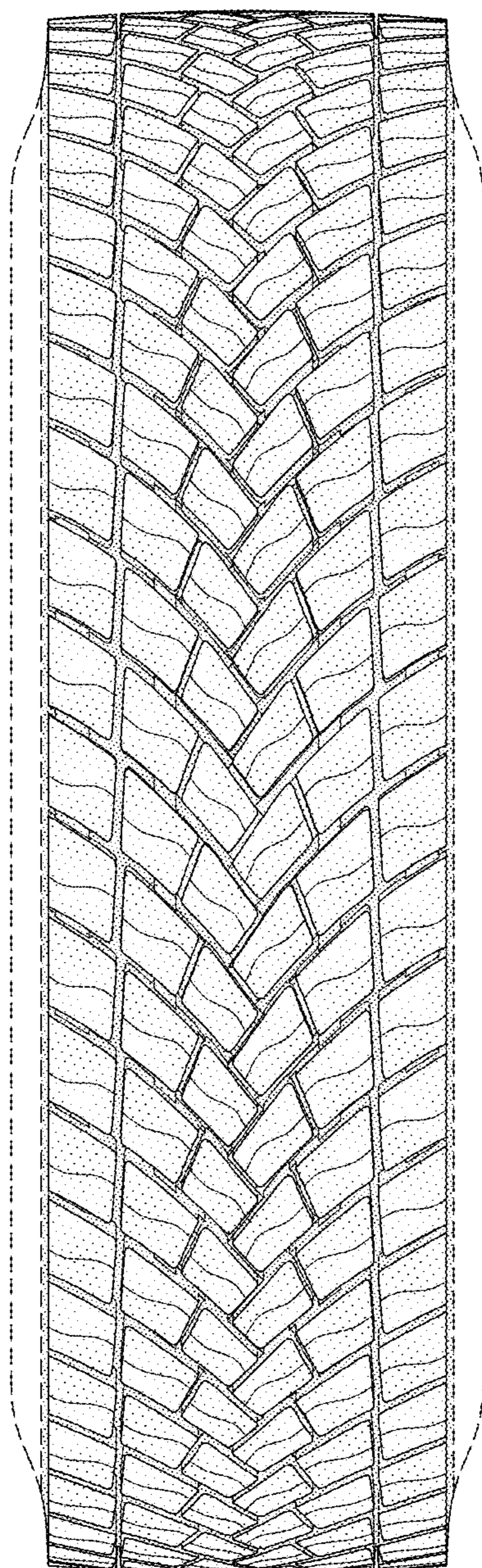


FIG-2

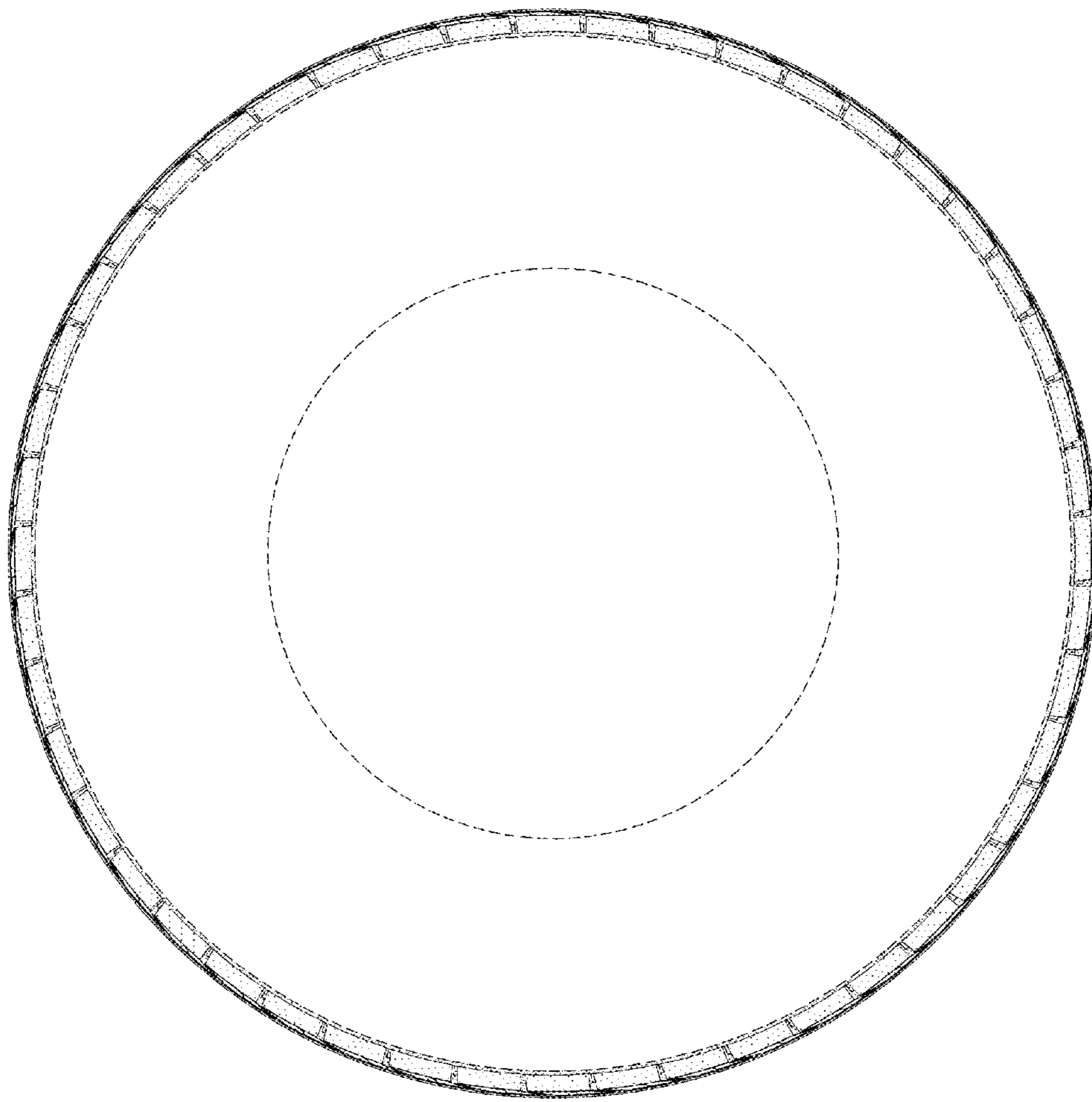


FIG-3

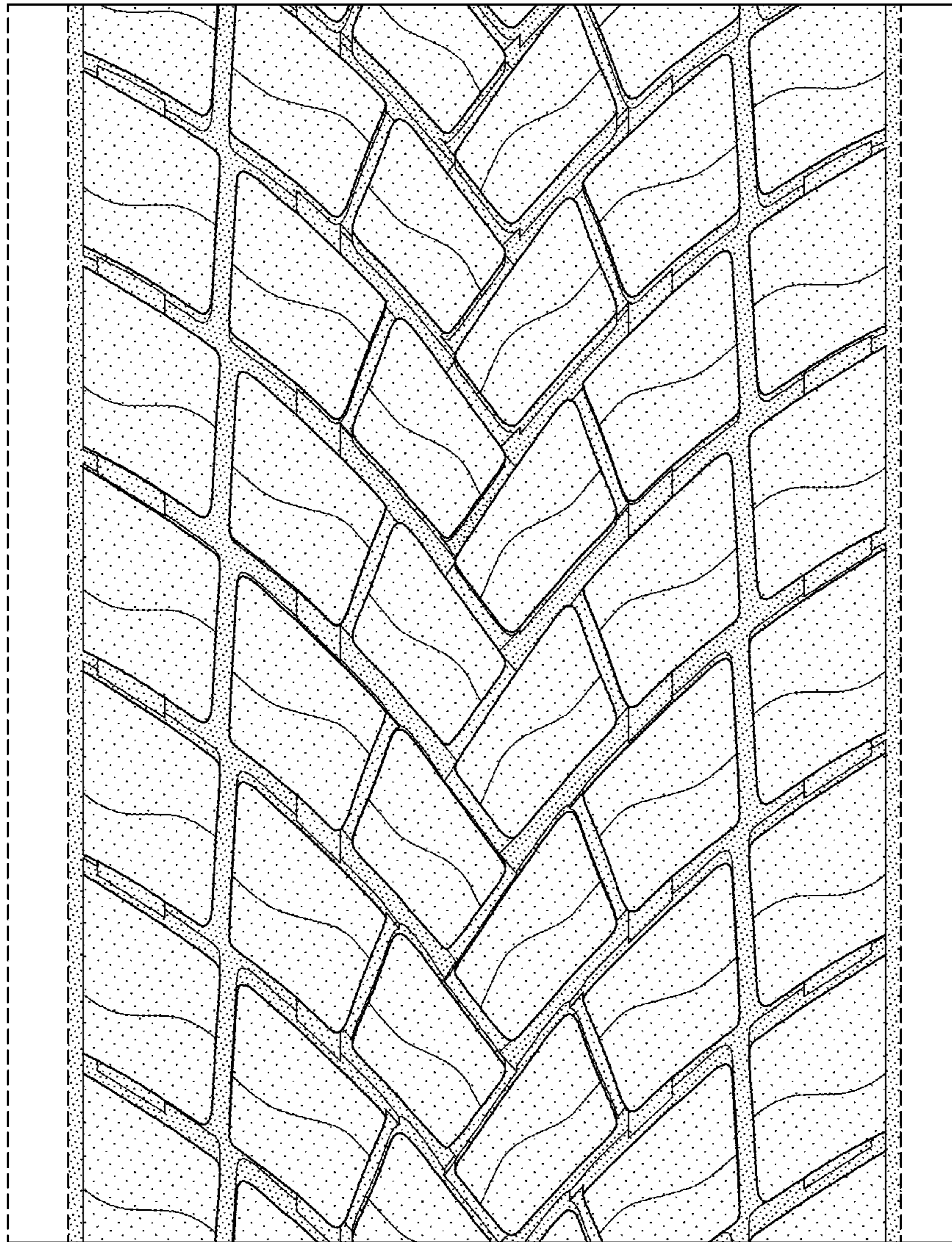


FIG-4

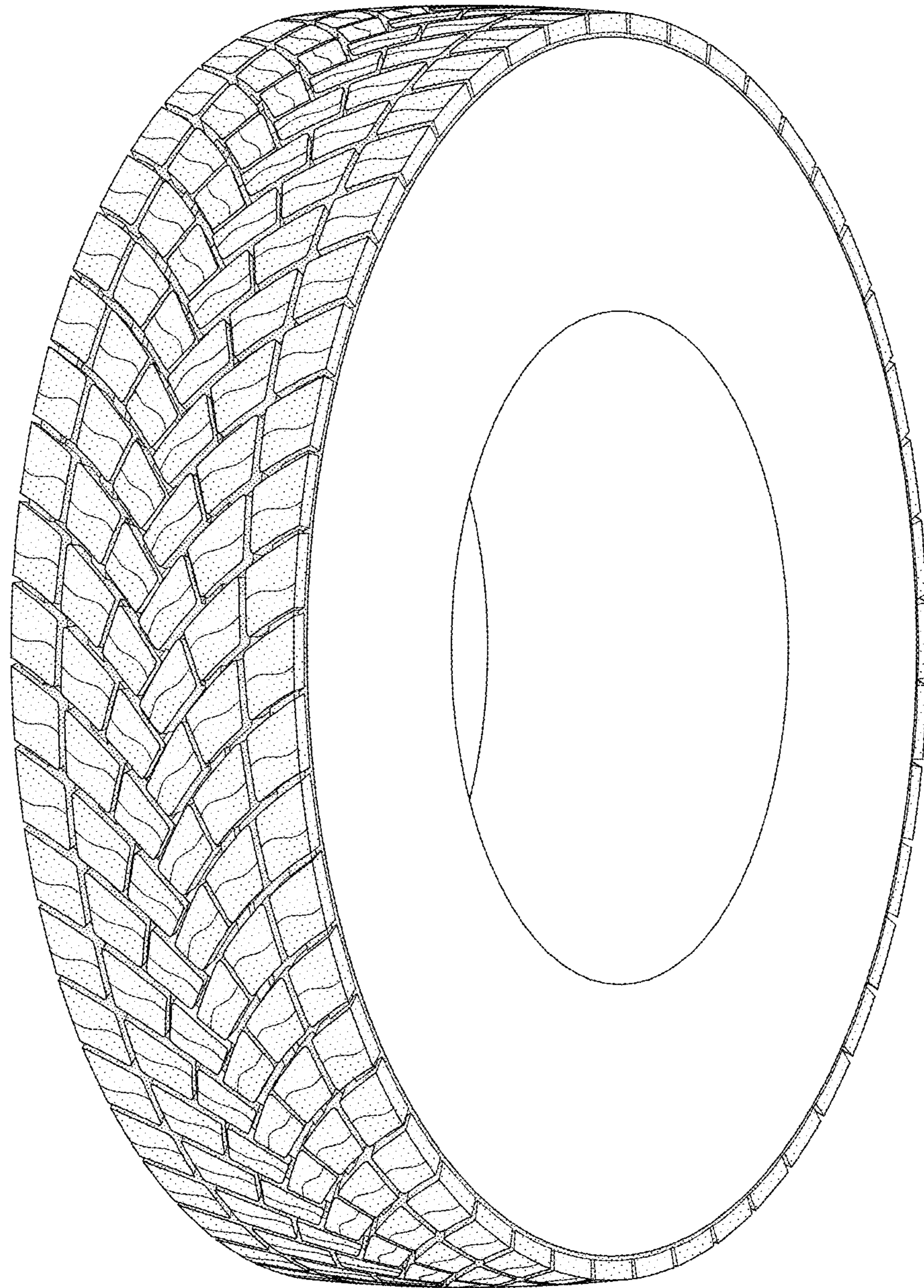


FIG-5

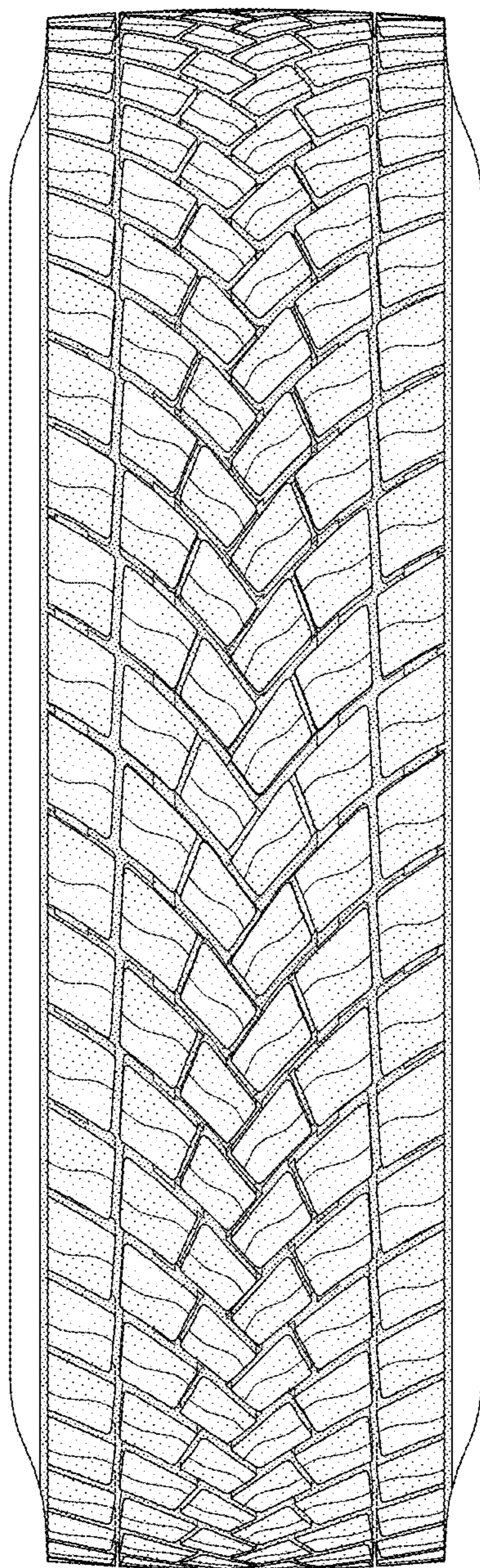


FIG-6