



US00D724004S

(12) **United States Design Patent**  
**McFarlin et al.**

(10) **Patent No.:** **US D724,004 S**  
(45) **Date of Patent:** **\*\* Mar. 10, 2015**

(54) **CONSOLE AND CUP HOLDER**

(71) Applicant: **Omix-Ada, Inc.**, Suwanee, GA (US)

(72) Inventors: **Reid McFarlin**, Suwanee, GA (US);  
**Alain Eboli**, Lawrenceville, GA (US)

(73) Assignee: **Omix-Ada, Inc.**, Suwanee, GA (US)

(\*\*) Term: **14 Years**

(21) Appl. No.: **29/465,176**

(22) Filed: **Aug. 26, 2013**

(51) **LOC (10) Cl.** ..... **12-16**

(52) **U.S. Cl.**  
USPC ..... **D12/419**

(58) **Field of Classification Search**  
USPC ..... D12/419, 416, 417, 418, 415, 420;  
D21/421; D7/619.1-625, 701;  
296/37.1, 37.8, 37.13-37.16, 36;  
22/539; 224/404; 297/411.26, 411.23  
See application file for complete search history.

(56) **References Cited**

**U.S. PATENT DOCUMENTS**

D425,012 S *	5/2000	Bergin	.....	D12/419
D472,871 S *	4/2003	Ramos et al.	.....	D12/419
D484,843 S *	1/2004	Wyszogrod	.....	D12/419
D485,529 S *	1/2004	Schoenberger	.....	D12/419
D495,878 S *	9/2004	Greene	.....	D3/274
D500,982 S *	1/2005	Smith	.....	D12/419
D501,118 S *	1/2005	Schrock	.....	D7/619.1

D529,933 S *	10/2006	Kuwae et al.	.....	D15/28
D541,209 S *	4/2007	Castator et al.	.....	D12/415
D591,560 S *	5/2009	Lackey et al.	.....	D7/553.8
D653,603 S *	2/2012	Stroud et al.	.....	D12/419

\* cited by examiner

*Primary Examiner* — Katrina A Betton

(74) *Attorney, Agent, or Firm* — Womble Carlyle Sandridge & Rice, LLP

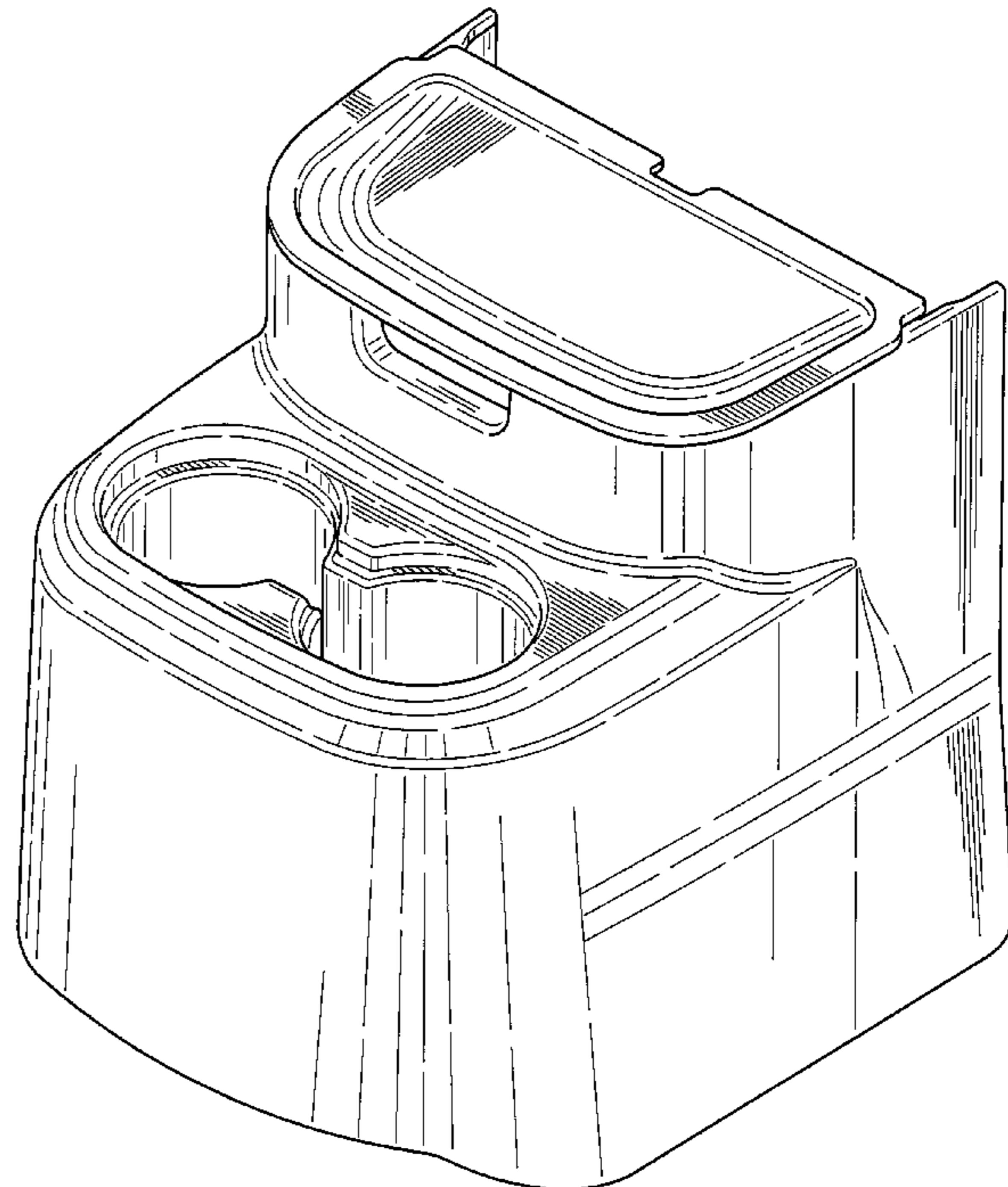
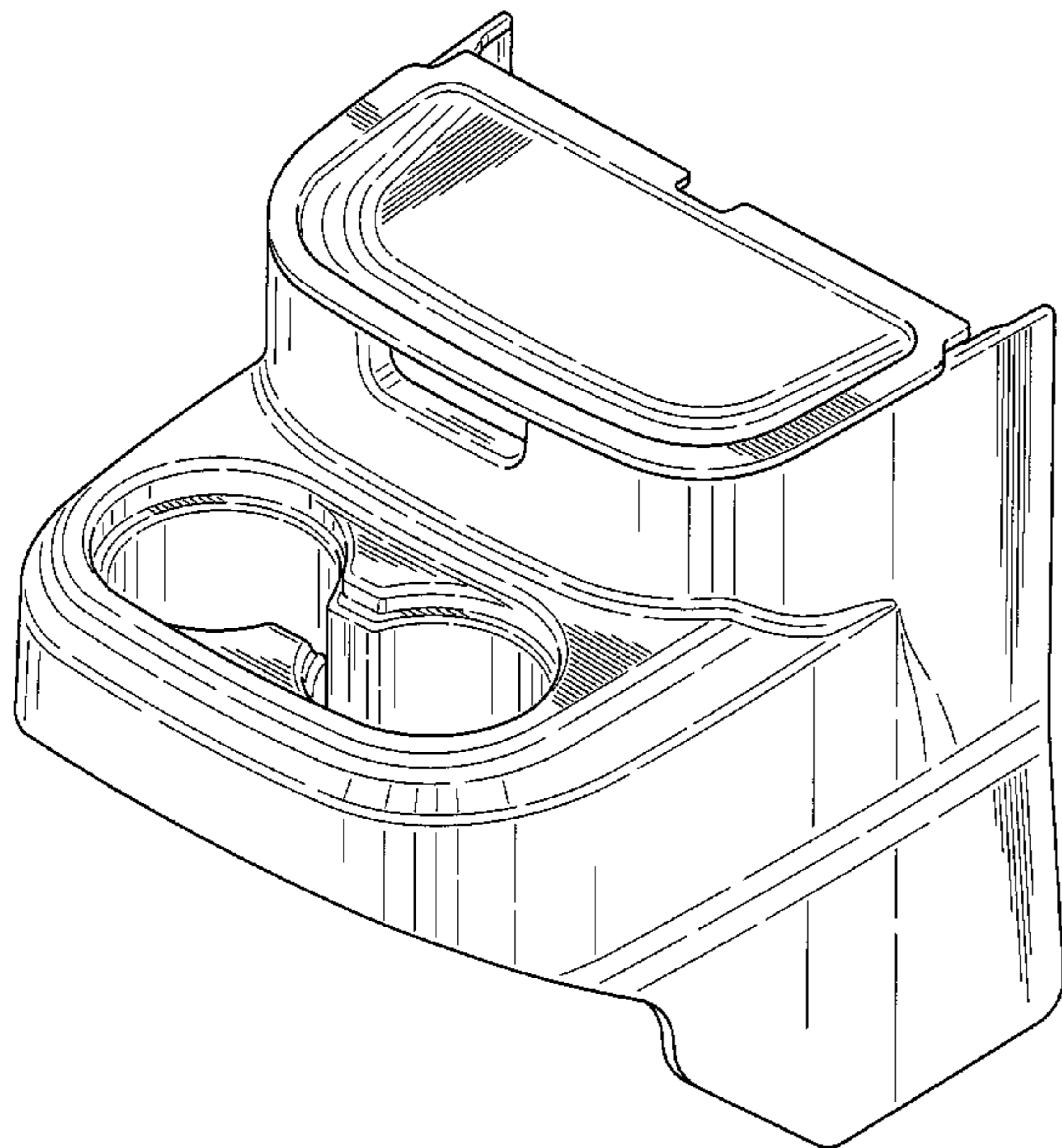
(57) **CLAIM**

The ornamental design for a console and cup holder, as shown and described.

**DESCRIPTION**

FIG. 1 is a top perspective view of a console and cup holder showing our new design in a first embodiment.  
 FIG. 2 is a bottom perspective thereof.  
 FIG. 3 is a front elevation view thereof.  
 FIG. 4 is a rear elevation view thereof.  
 FIG. 5 is a right side elevation view thereof, the left side elevation being a mirror image of the right side elevation.  
 FIG. 6 is a top plan view thereof.  
 FIG. 7 is a bottom plan view thereof.  
 FIG. 8 is a top perspective view of a console and cup holder showing our new design in a second embodiment.  
 FIG. 9 is a bottom perspective thereof.  
 FIG. 10 is a front elevation view thereof.  
 FIG. 11 is a rear elevation view thereof.  
 FIG. 12 is a right side elevation view thereof, the left side elevation being a mirror image of the right side elevation.  
 FIG. 13 is a top plan view thereof; and,  
 FIG. 14 is a bottom plan view thereof.

**1 Claim, 14 Drawing Sheets**



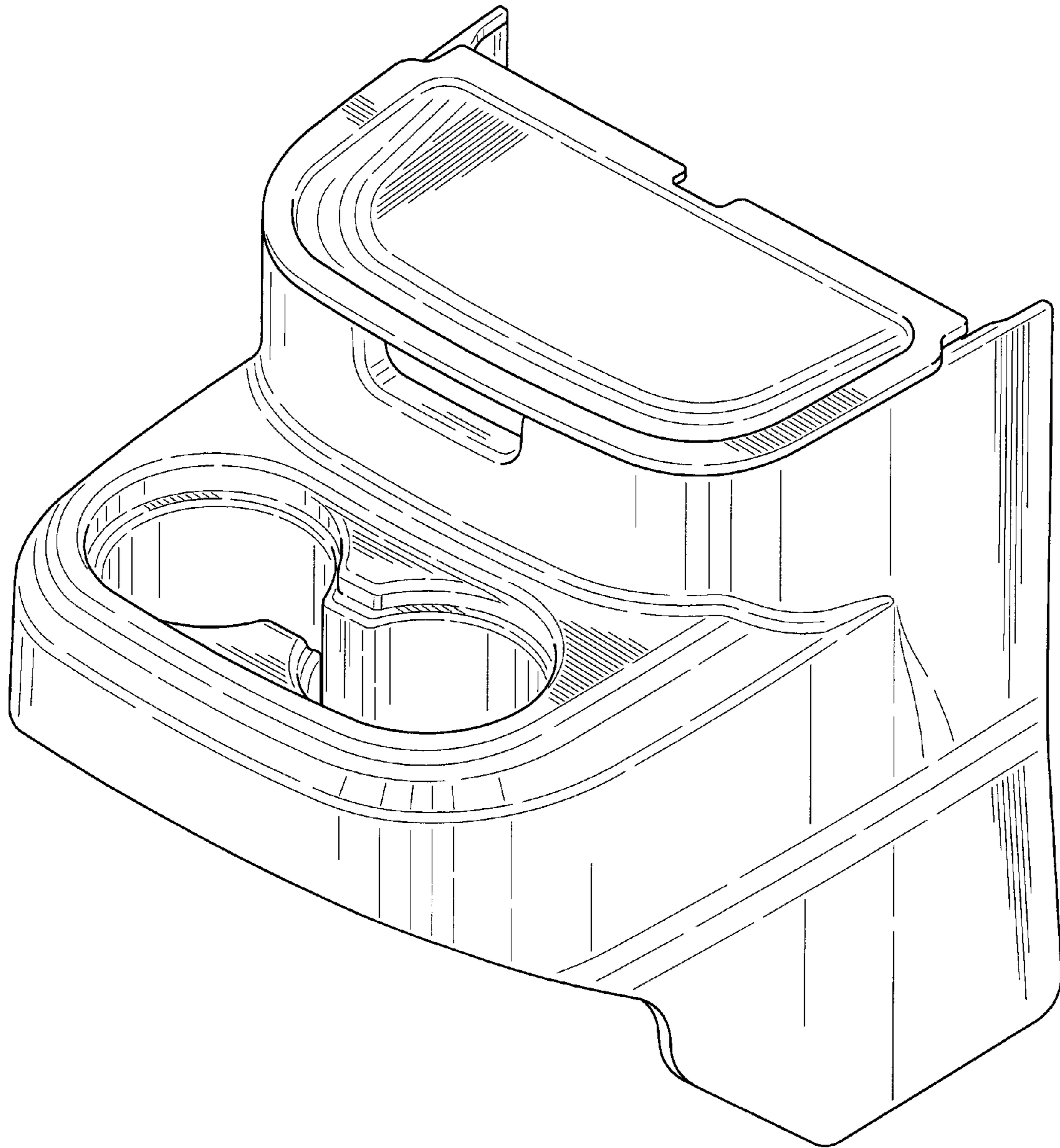


FIG. 1

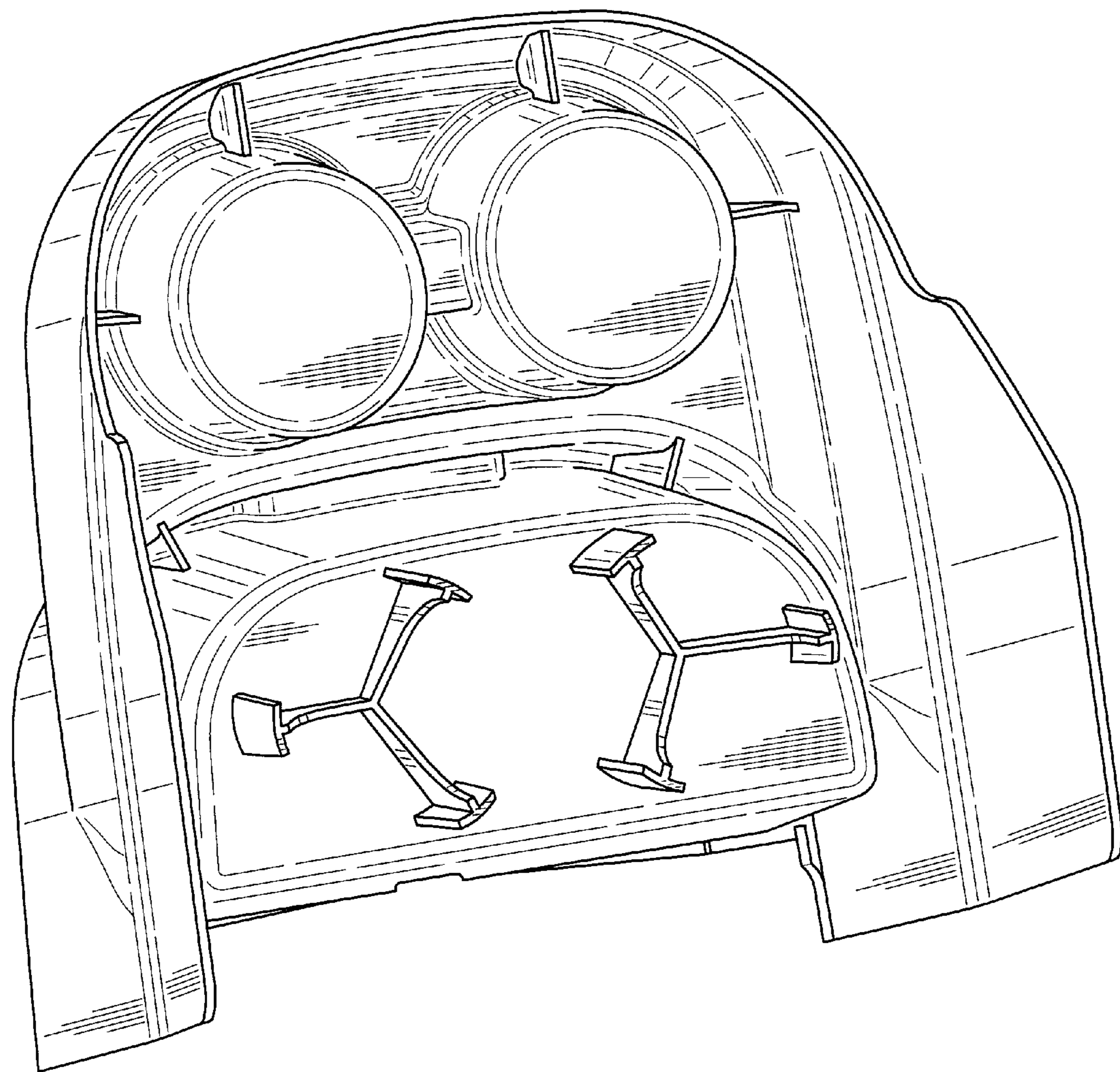


FIG. 2

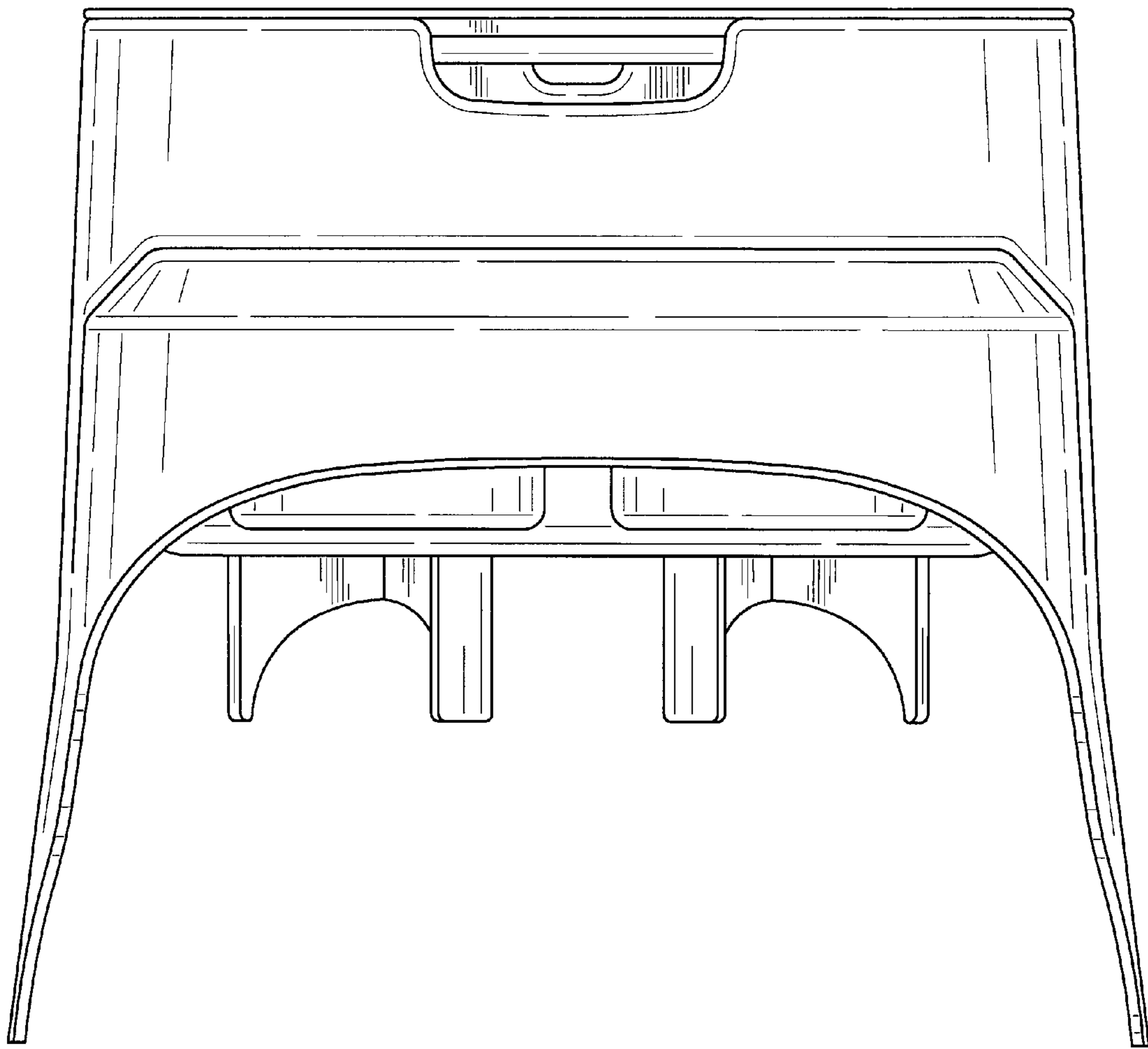


FIG. 3

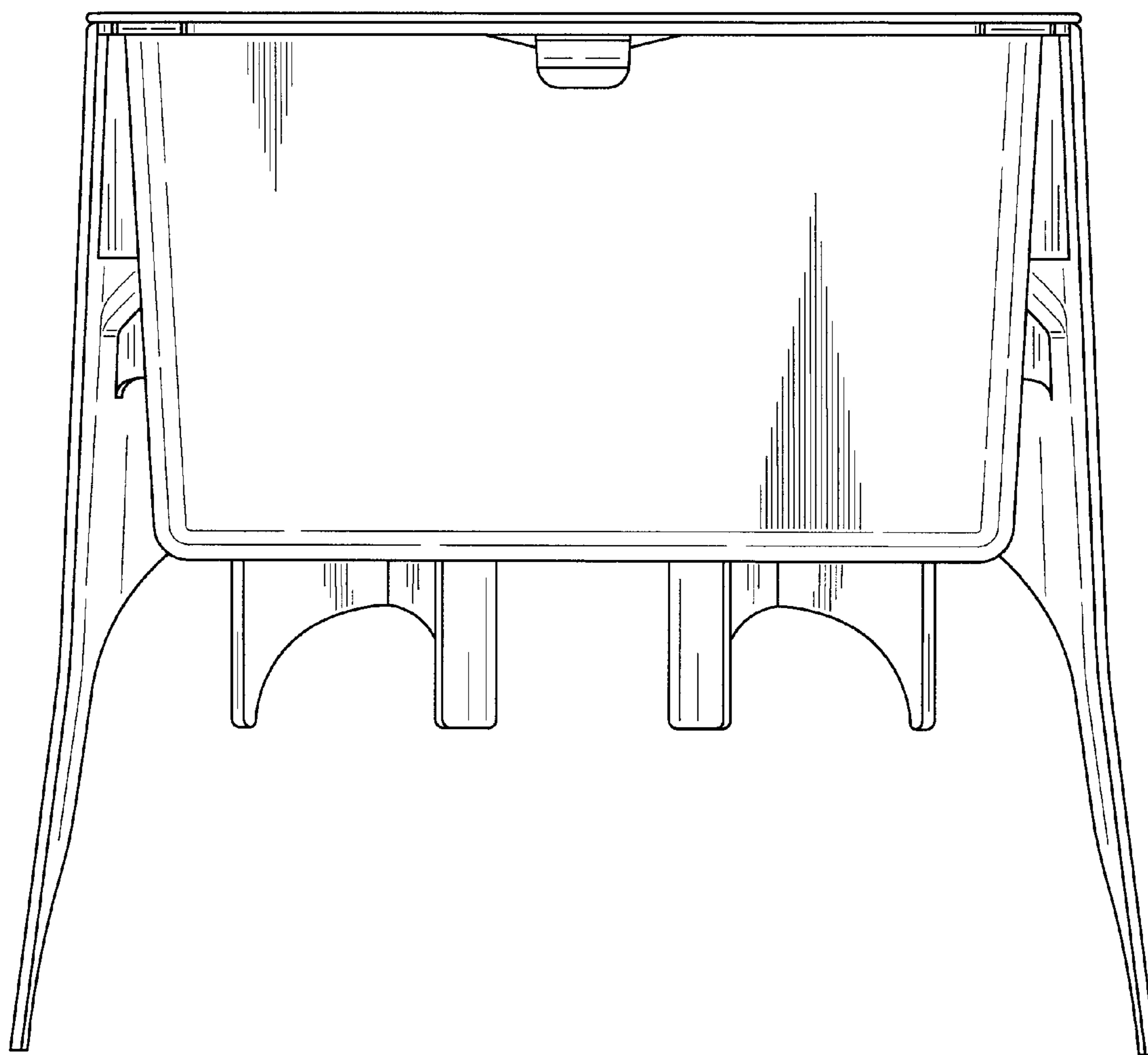


FIG. 4

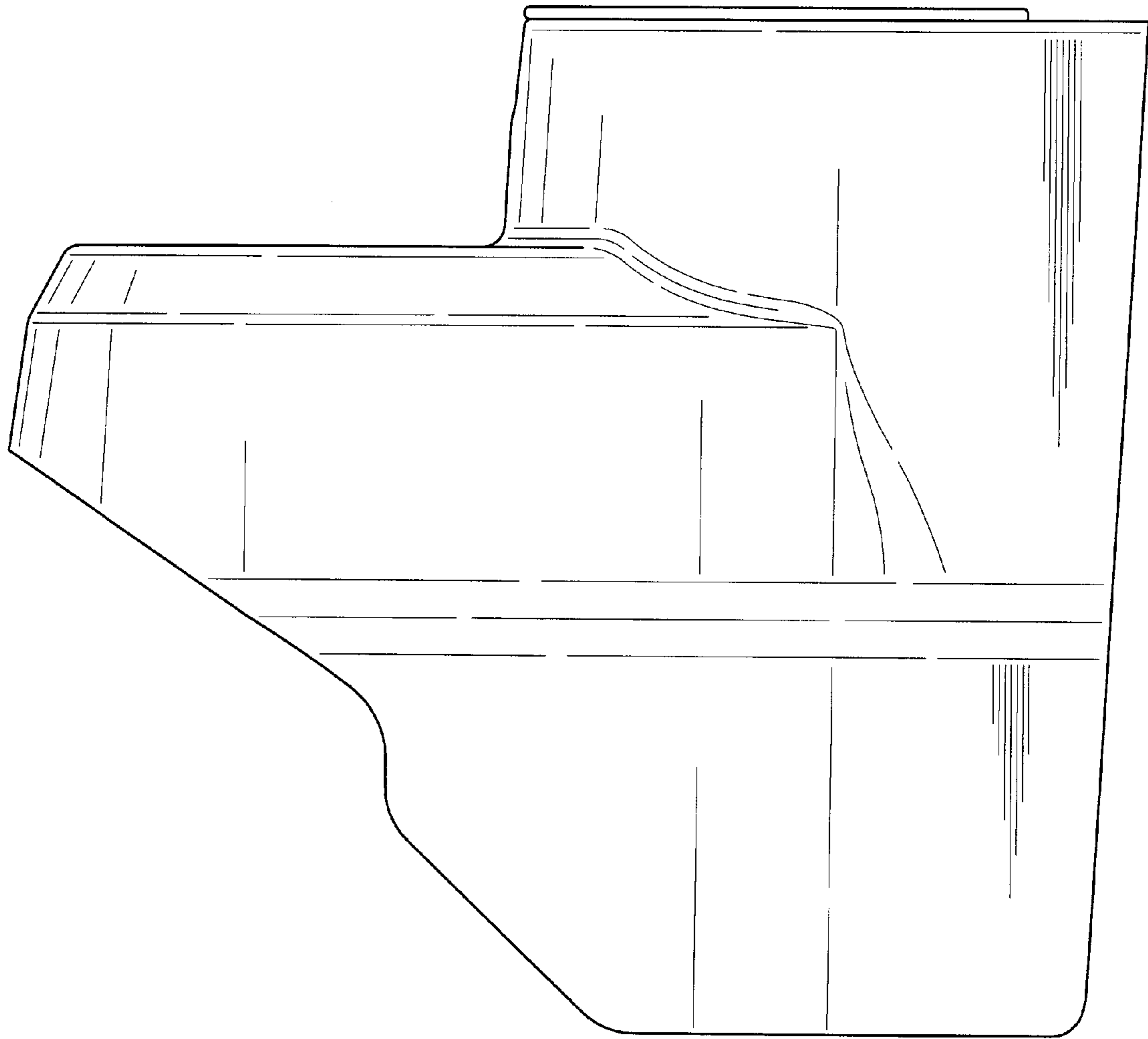


FIG. 5

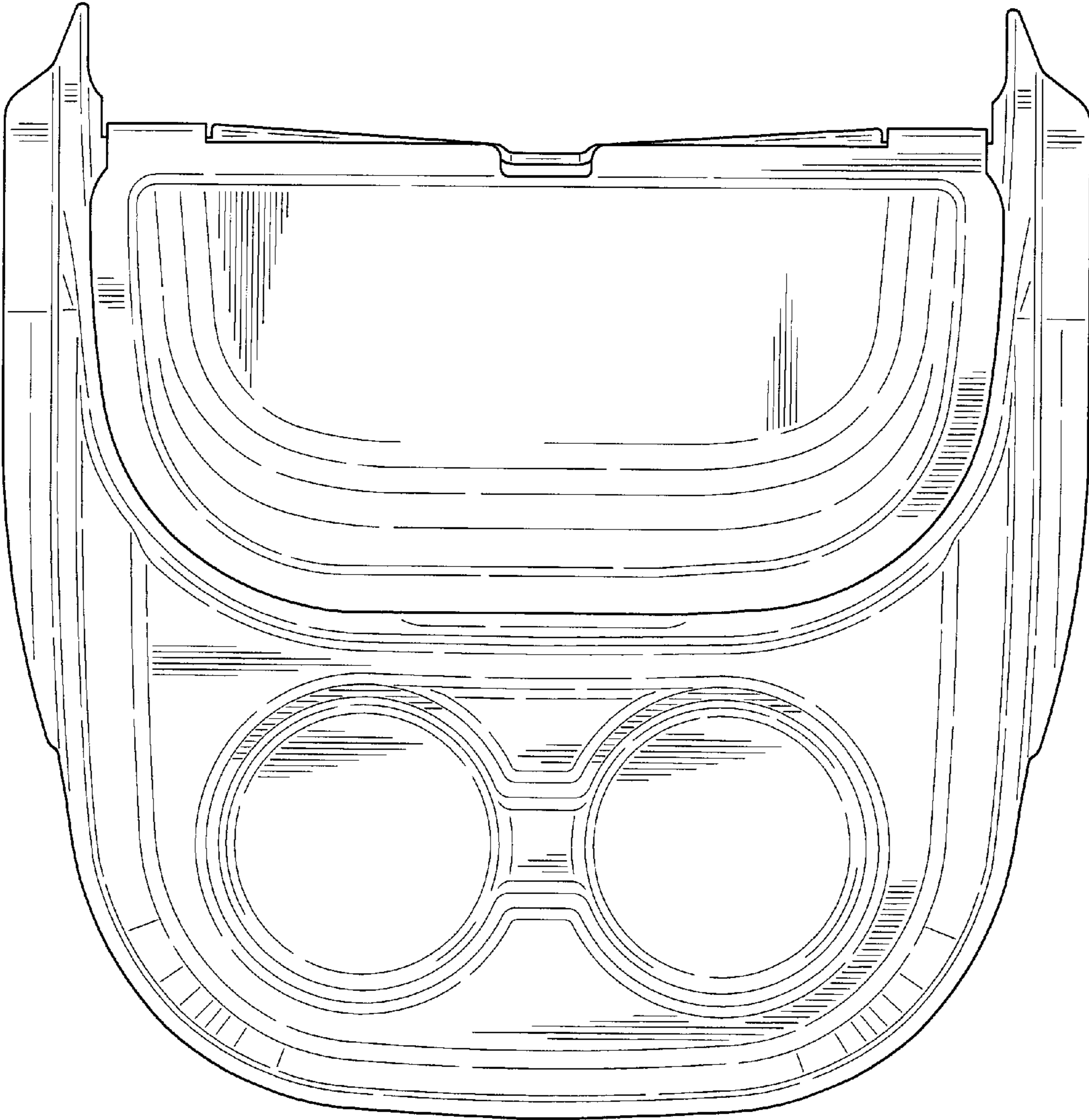


FIG. 6

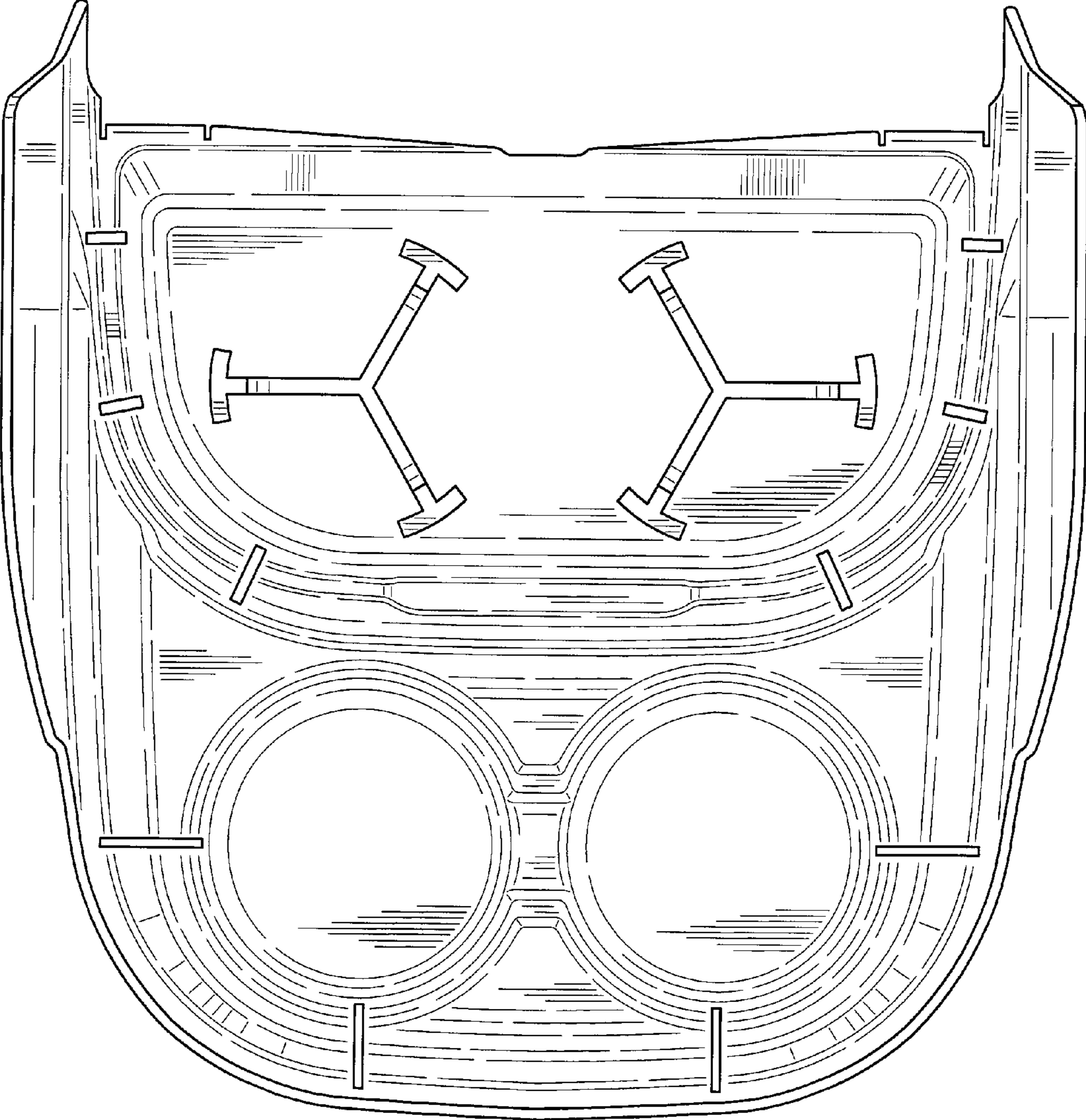


FIG. 7



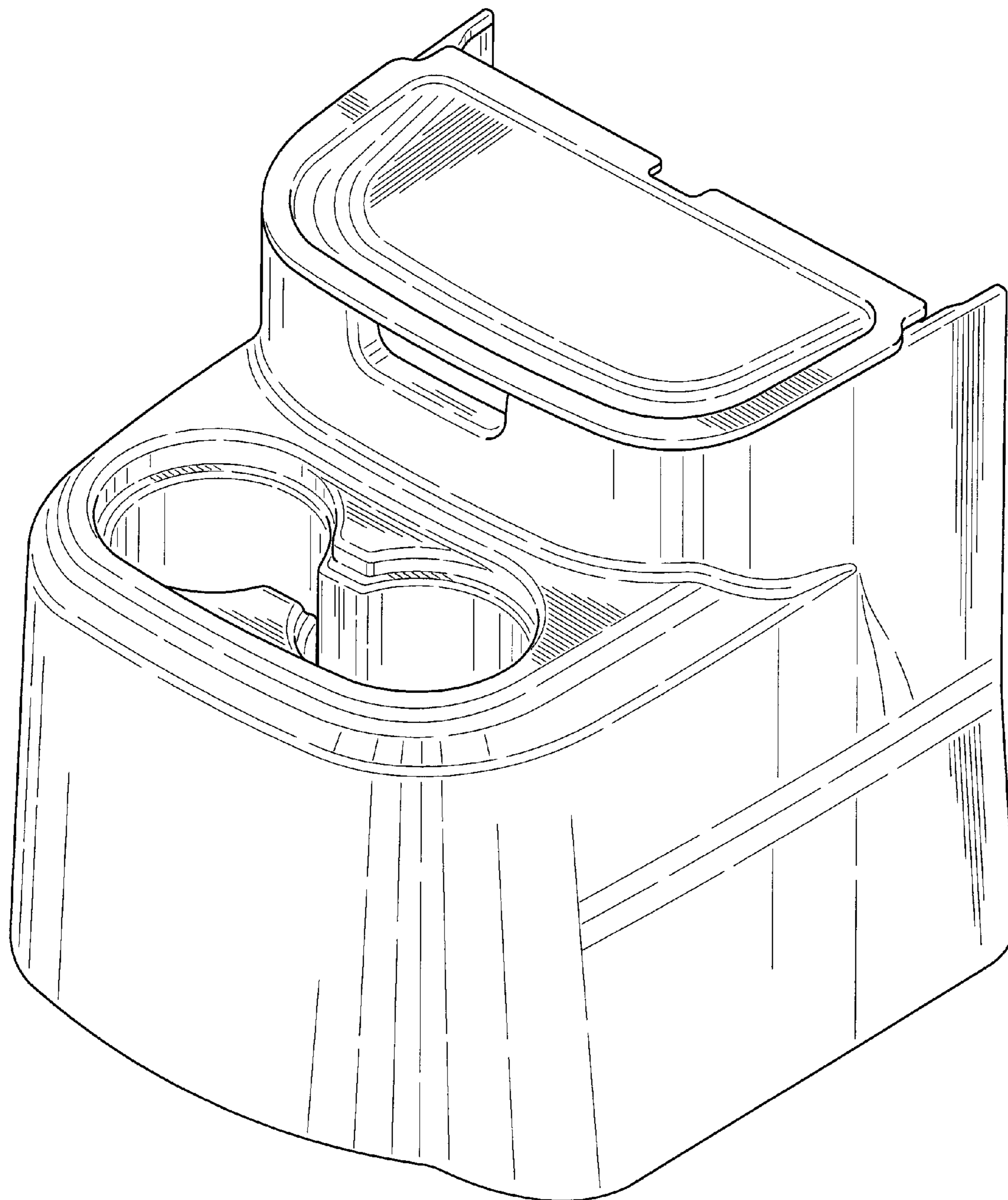


FIG. 8

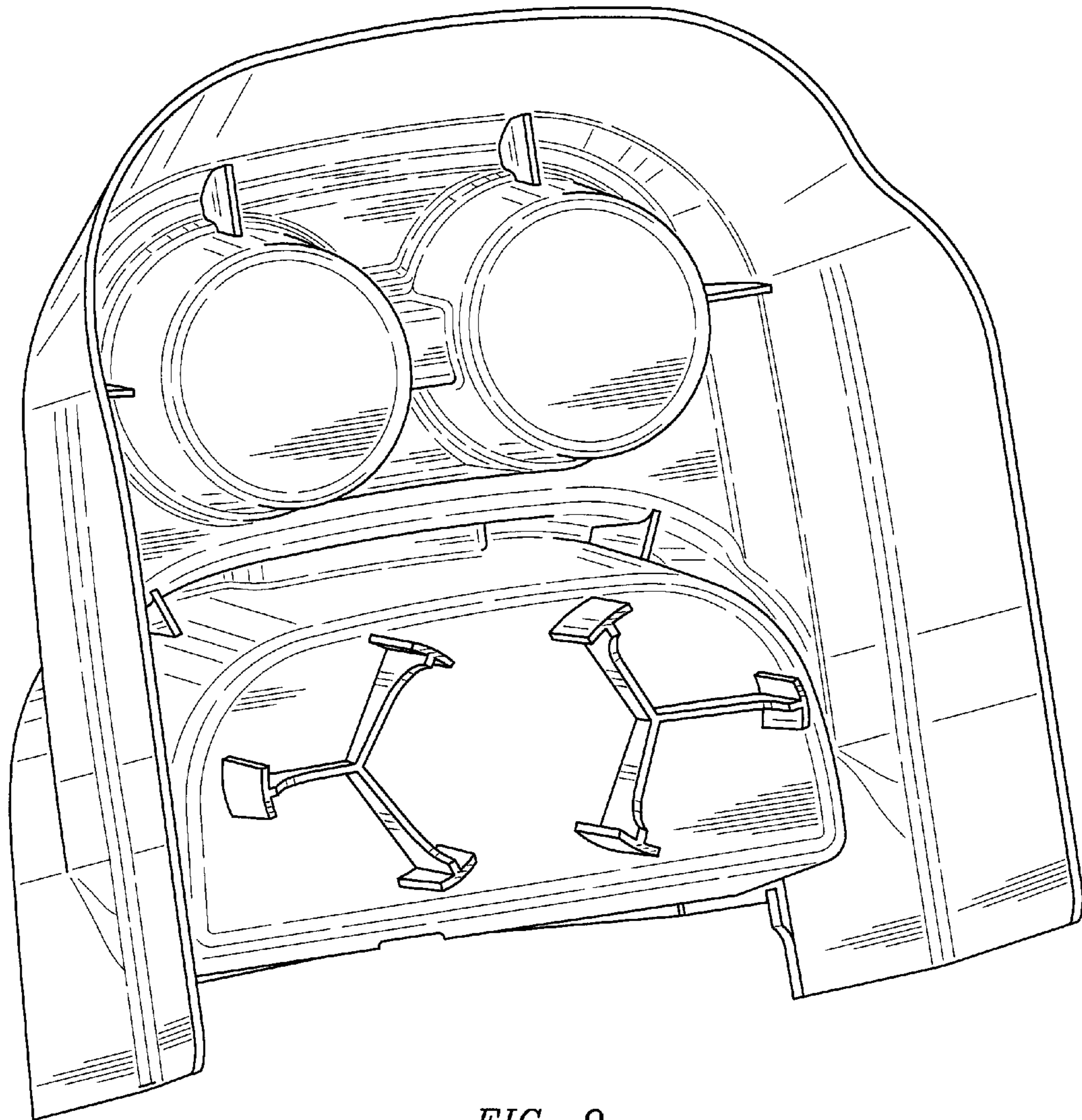


FIG. 9

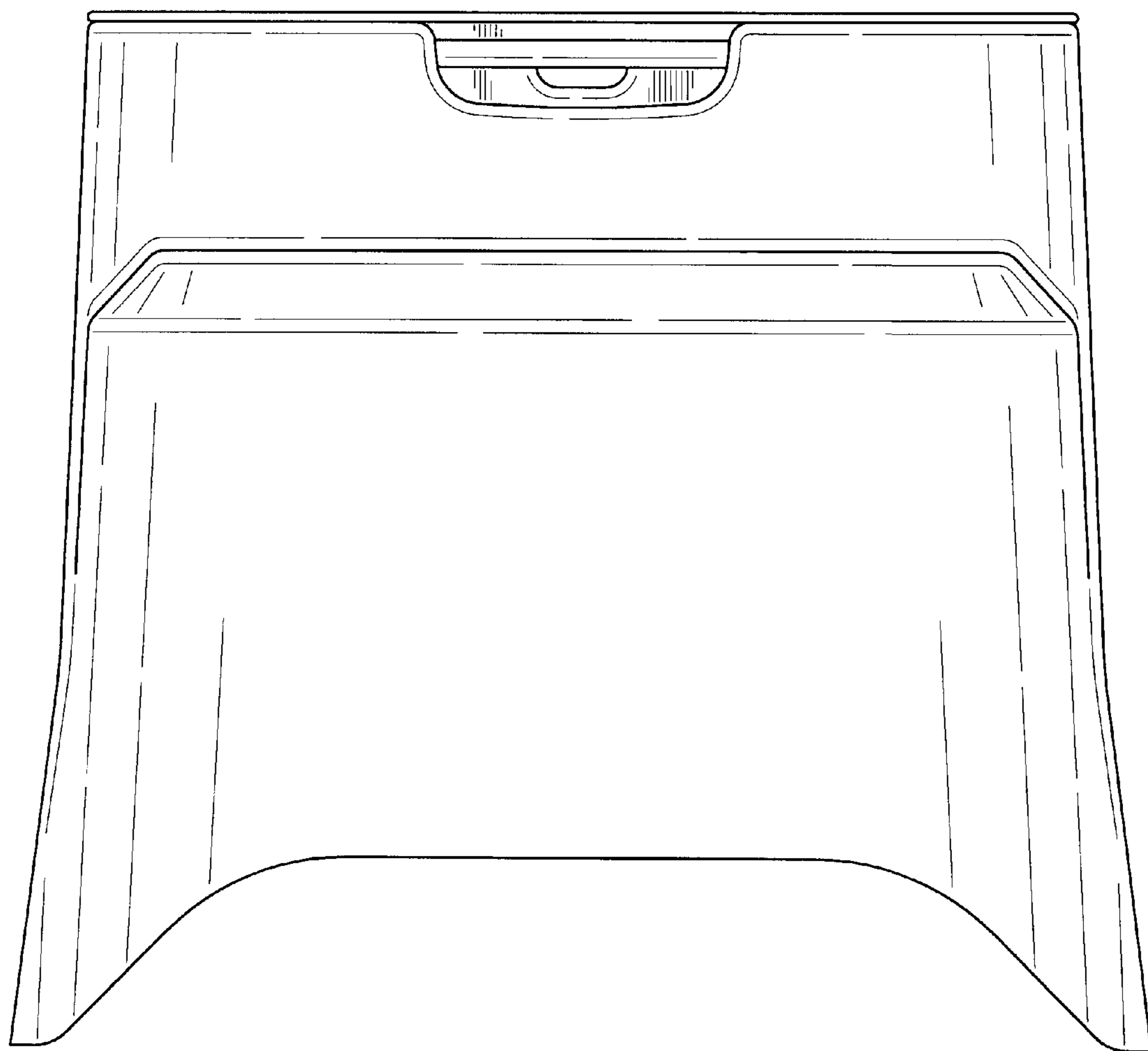


FIG. 10

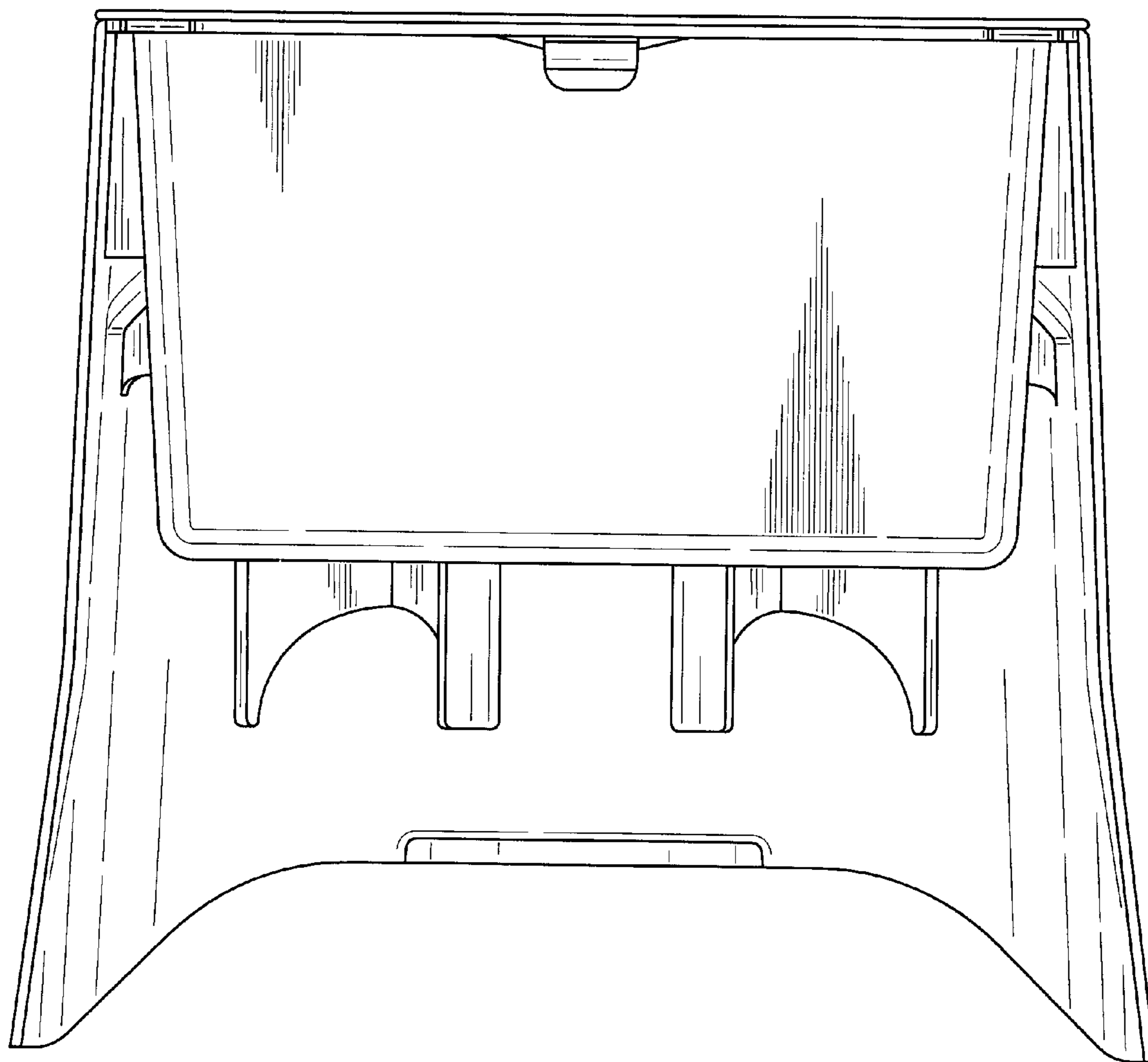


FIG. 11

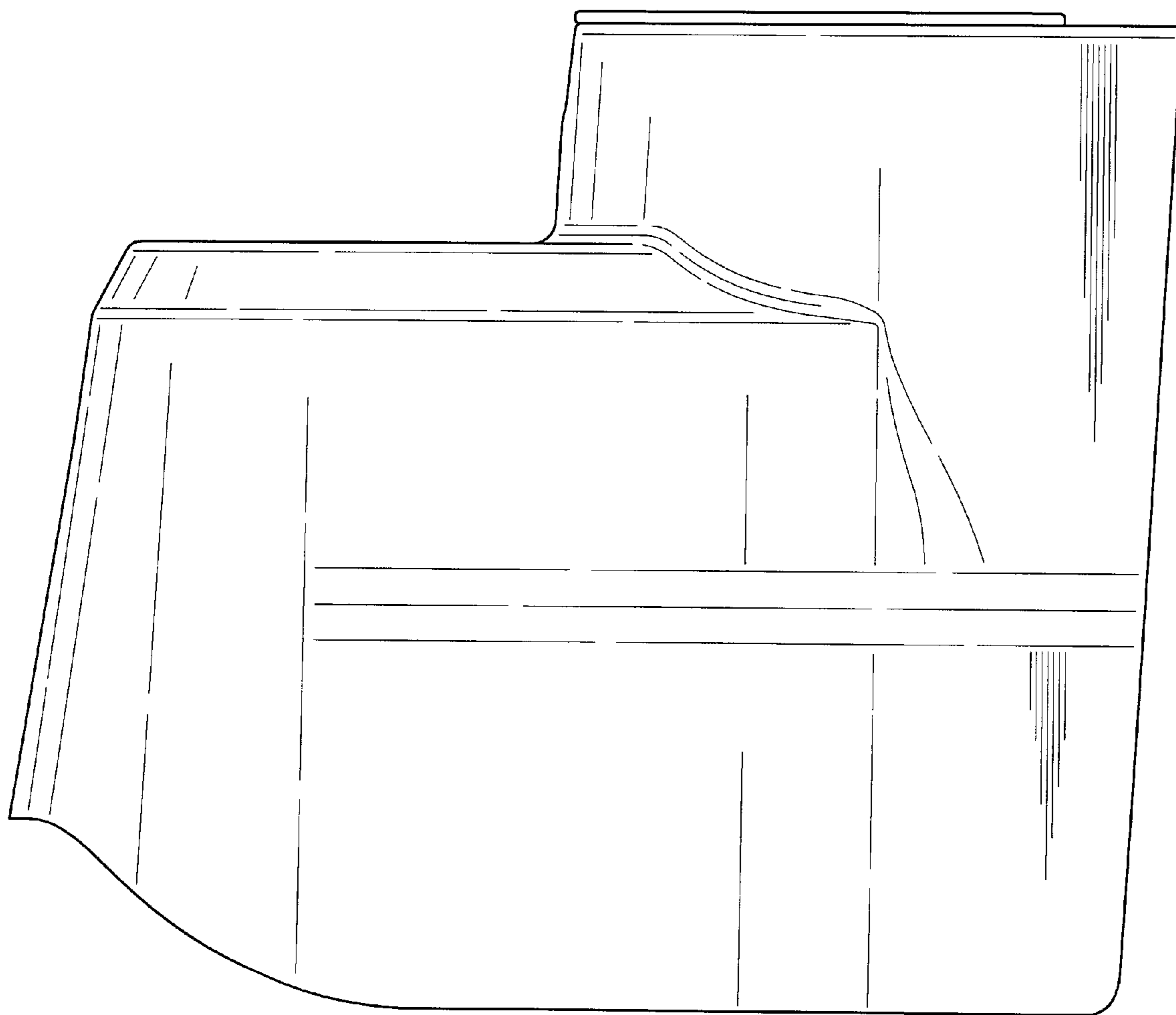


FIG. 12

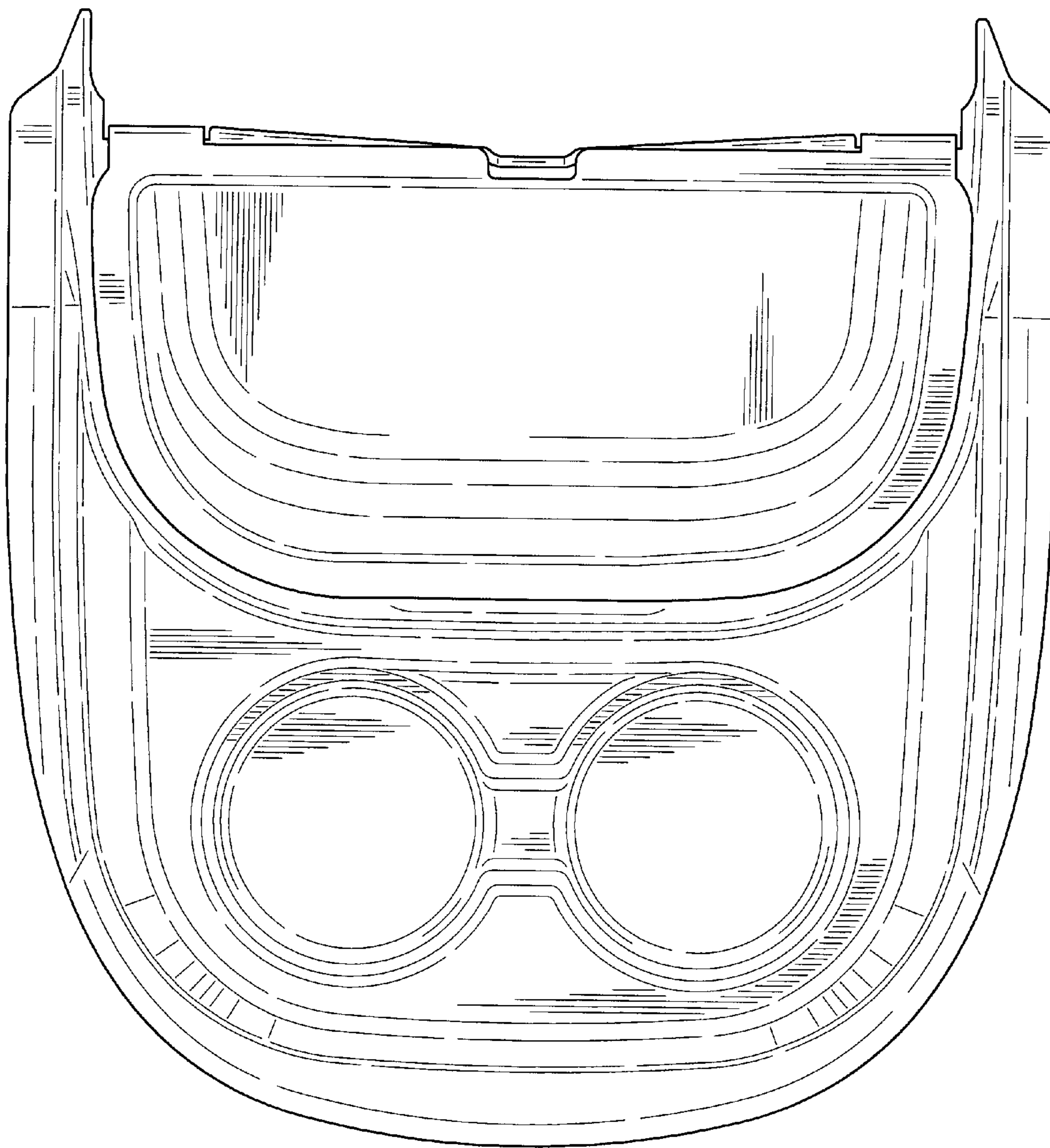


FIG. 13

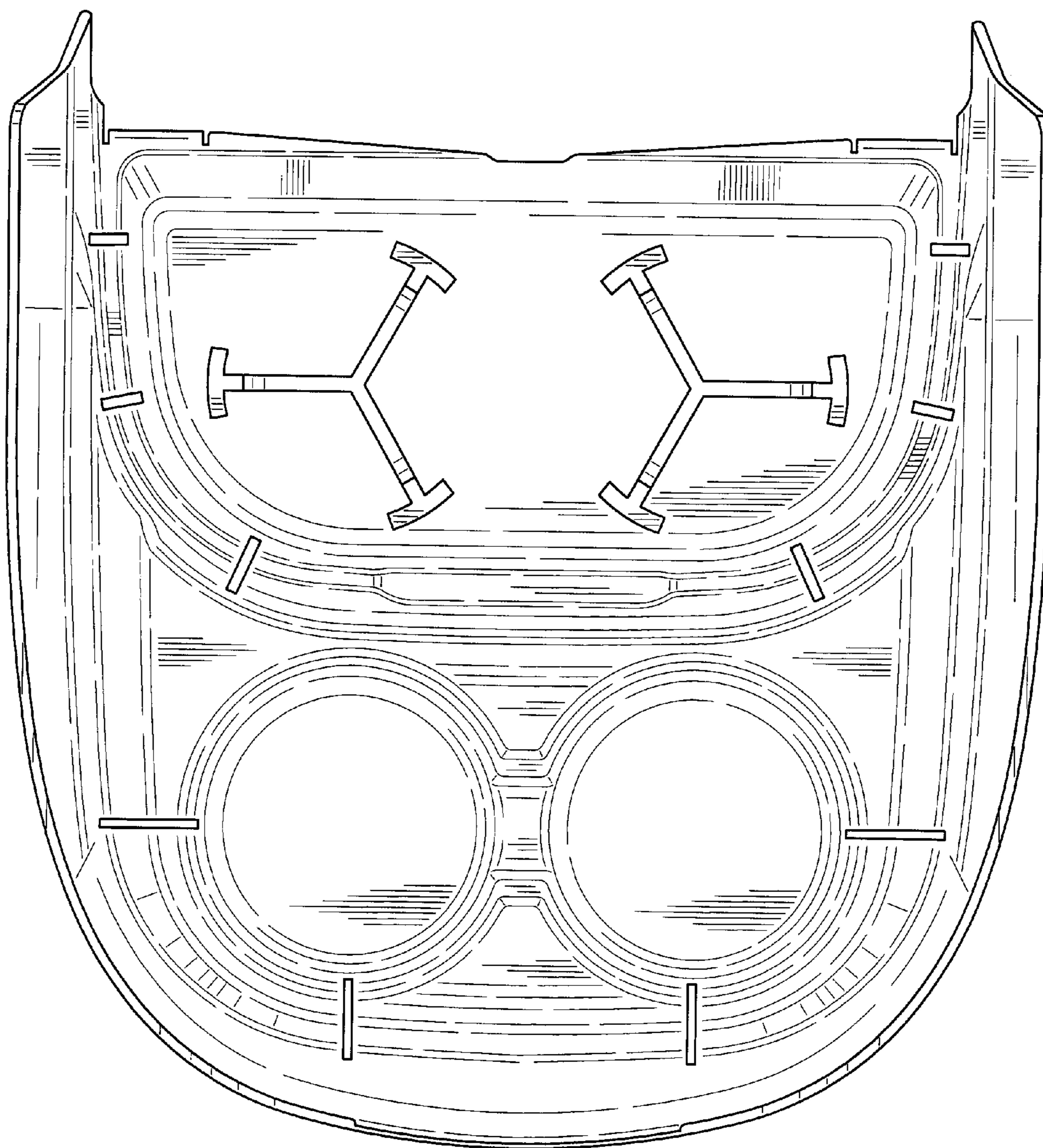


FIG. 14