



US00D724003S

(12) **United States Design Patent**
Fonseca et al.

(10) **Patent No.:** **US D724,003 S**
(45) **Date of Patent:** **** Mar. 10, 2015**

- (54) **VEHICLE OVERHEAD CONSOLE**
- (75) Inventors: **Andre Leal Fonseca**, Sao Paulo (BR);
Gabriel Clemente Brasil de Torres e Silva, Sao Caetano do Dul (BR)
- (73) Assignee: **GM Global Technology Operations LLC**, Detroit, MI (US)
- (**) Term: **14 Years**
- (21) Appl. No.: **29/406,044**
- (22) Filed: **Nov. 9, 2011**
- (51) **LOC (10) Cl.** **12-16**
- (52) **U.S. Cl.**
USPC **D12/418**
- (58) **Field of Classification Search**
USPC D12/415-419, 96, 400, 195, 345, 99,
D12/191, 106; 312/246; 296/37.1-37.8, 70,
296/24.1, 24.2, 24.3, 137.1, 97.1, 97.2,
296/97.4, 97.5, 97.6, 97.7, 97.8, 180, 1;
224/311, 539, 281, 118.1, 275;
D8/354; D14/451-452; 248/278.1,
248/274.1, 284.1; D9/423; D3/319;
160/370.21, 370.23, 370.22
See application file for complete search history.

- D580,345 S * 11/2008 Paxton et al. D12/418
- D592,585 S * 5/2009 Moburg et al. D12/418
- D612,795 S * 3/2010 Tirey et al. D12/418
- D613,234 S * 4/2010 Tirey et al. D12/418
- D670,231 S * 11/2012 Stimel, Jr. D12/418

* cited by examiner

Primary Examiner — Katrina A Betton

(74) *Attorney, Agent, or Firm* — Mickki D. Murray; Parks Wood LLC

(57) **CLAIM**

The ornamental design for a vehicle overhead console, as shown and described.

DESCRIPTION

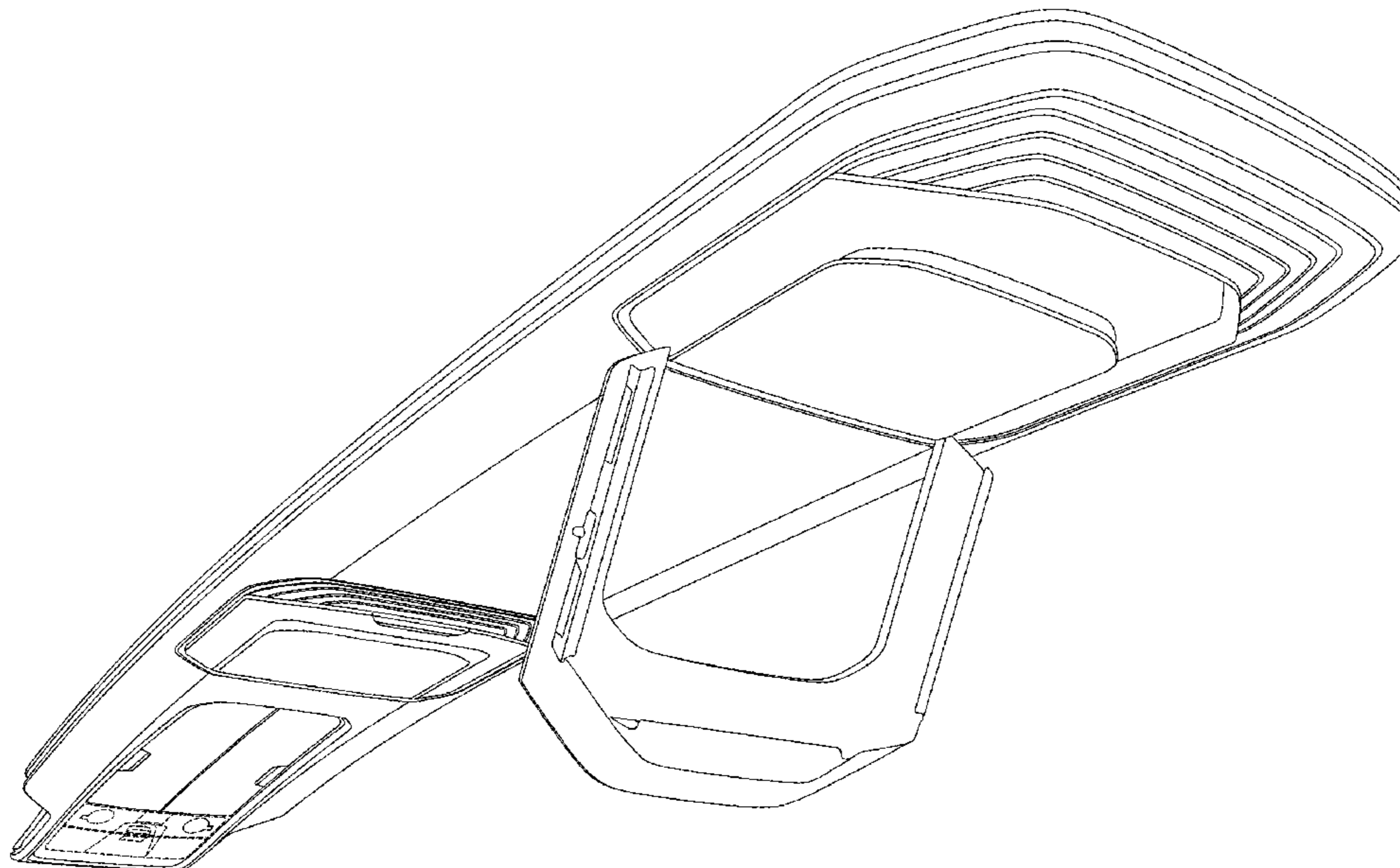
FIG. 1 is an upward-looking view of a vehicle overhead console;
 FIG. 2 is a close-up view of a front end portion called out in FIG. 1;
 FIG. 3 is an upward-looking perspective view, from a left-side and forward-facing vantage;
 FIG. 4 is the view of FIG. 4 showing a rear compartment cover in an open position;
 FIG. 5 is the view of FIG. 5 showing a storage item positioned adjacent an item-receiving area of the rear compartment cover;
 FIG. 6 is a left side view showing a front compartment cover and the rear compartment cover in open positions;
 FIG. 7 is a right side view of FIG. 6; and,
 FIG. 8 is the left side view, of FIG. 6, of the vehicle overhead console positioned in a vehicle.
 Lines shown by dashed lines are provided for context and form no part of the claimed design.

(56) **References Cited**

U.S. PATENT DOCUMENTS

- D413,856 S * 9/1999 Scribner D12/418
- 6,338,517 B1 * 1/2002 Canni et al. 296/37.8
- D502,440 S * 3/2005 MacWilliam et al. D12/418
- D539,212 S * 3/2007 Maezono et al. D12/418
- D575,724 S * 8/2008 Tsay et al. D12/418

1 Claim, 7 Drawing Sheets



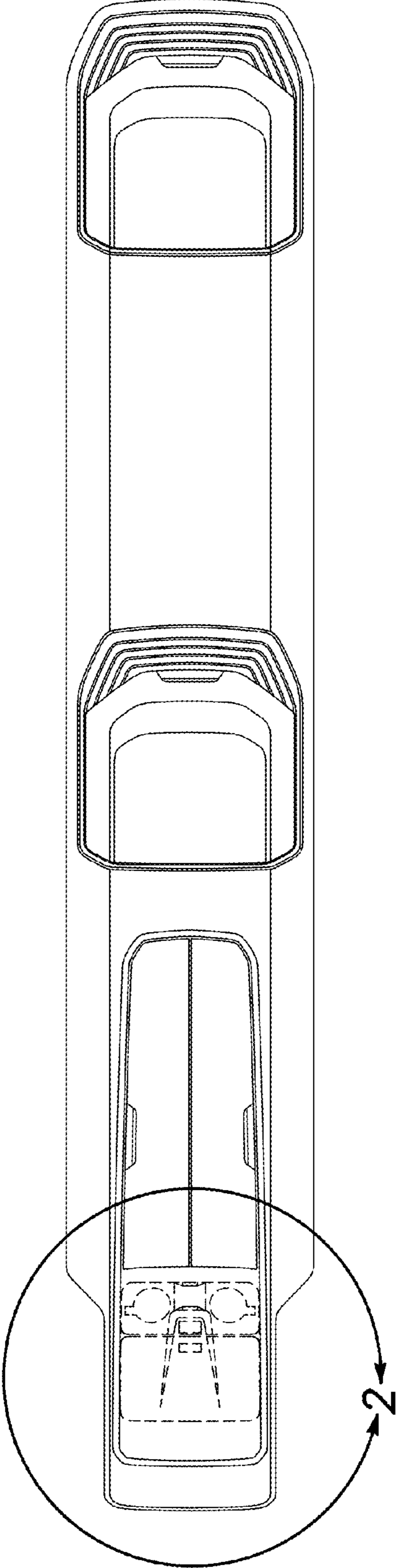


Fig-1

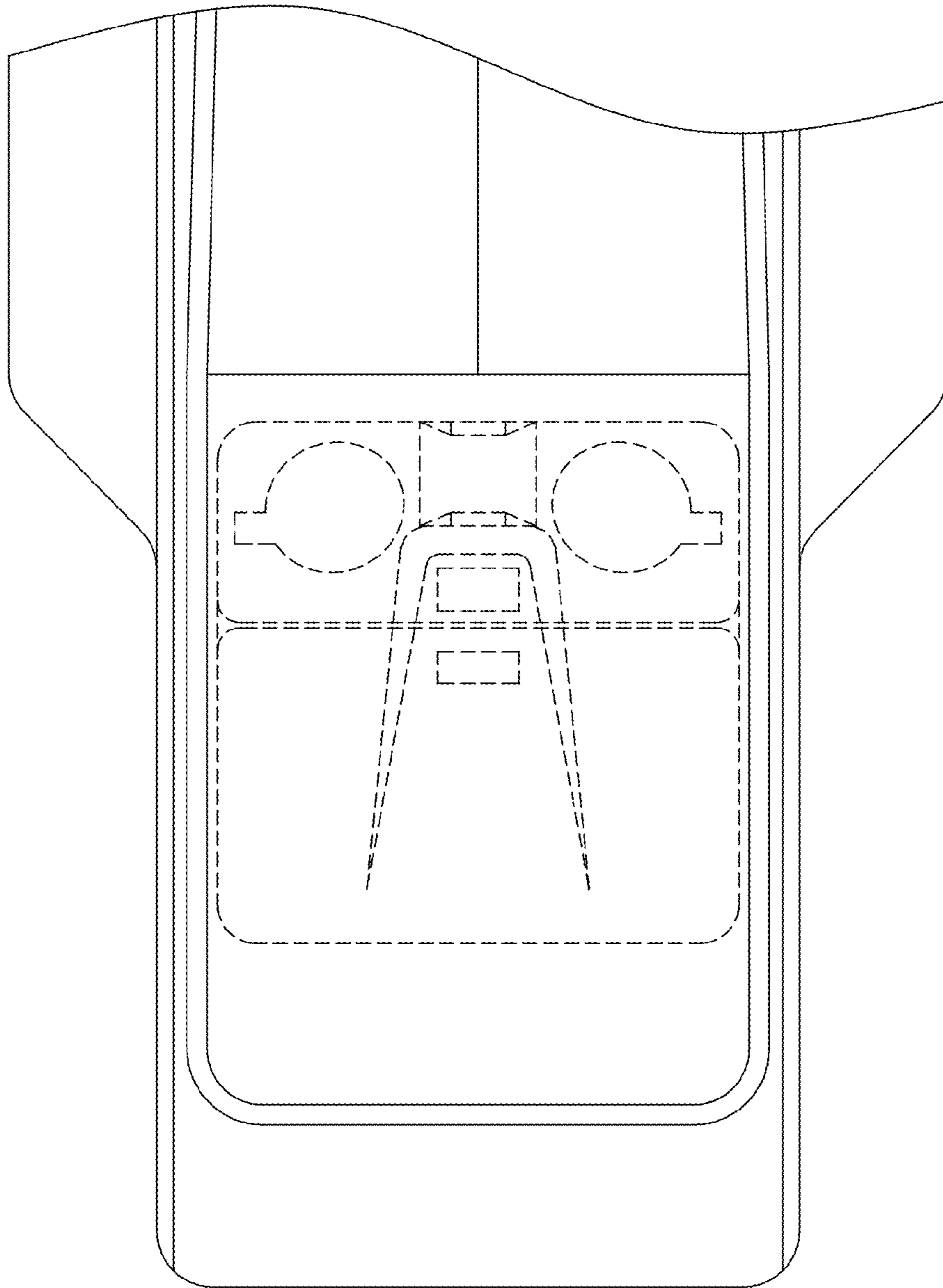


Fig-2

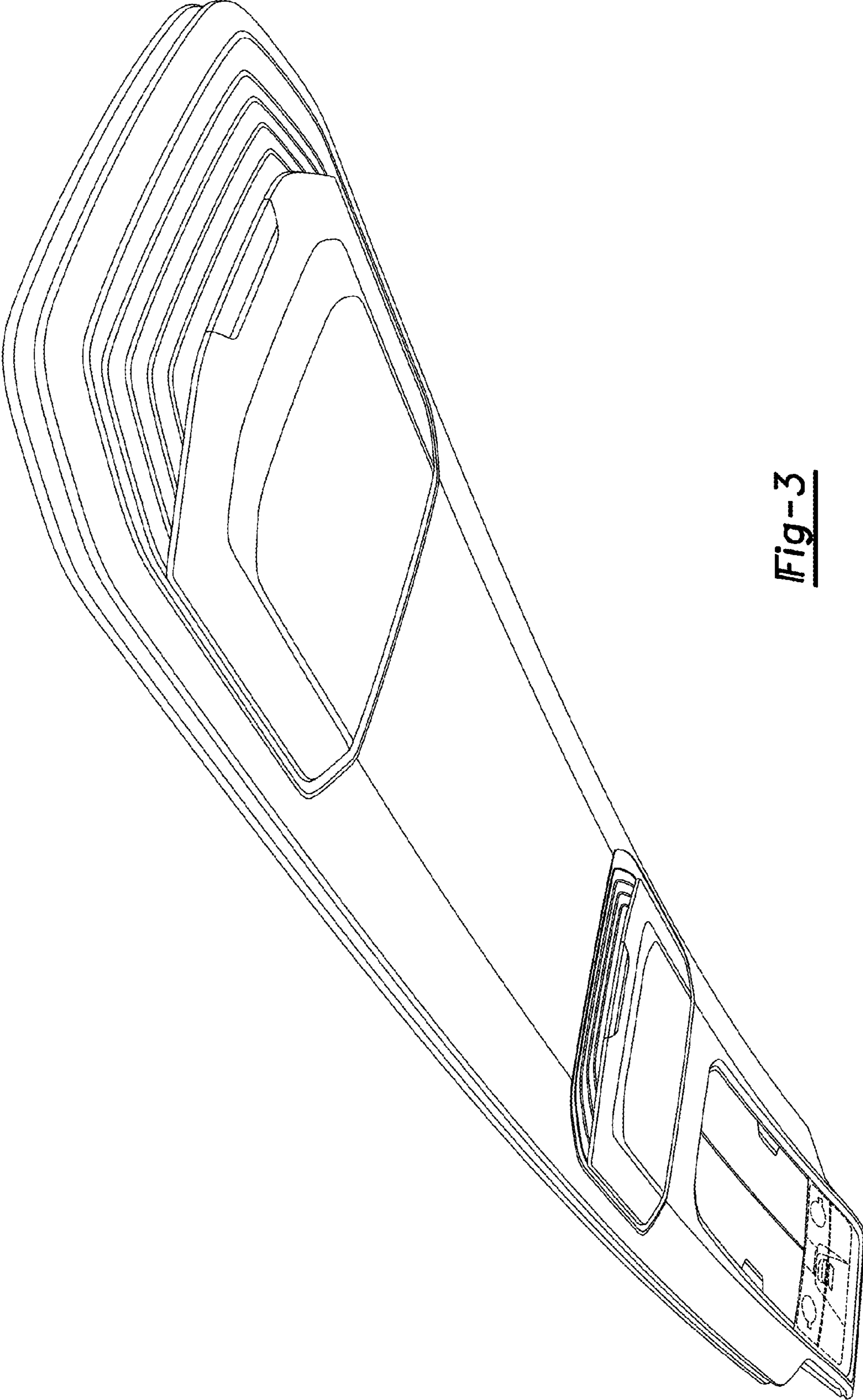


Fig-3

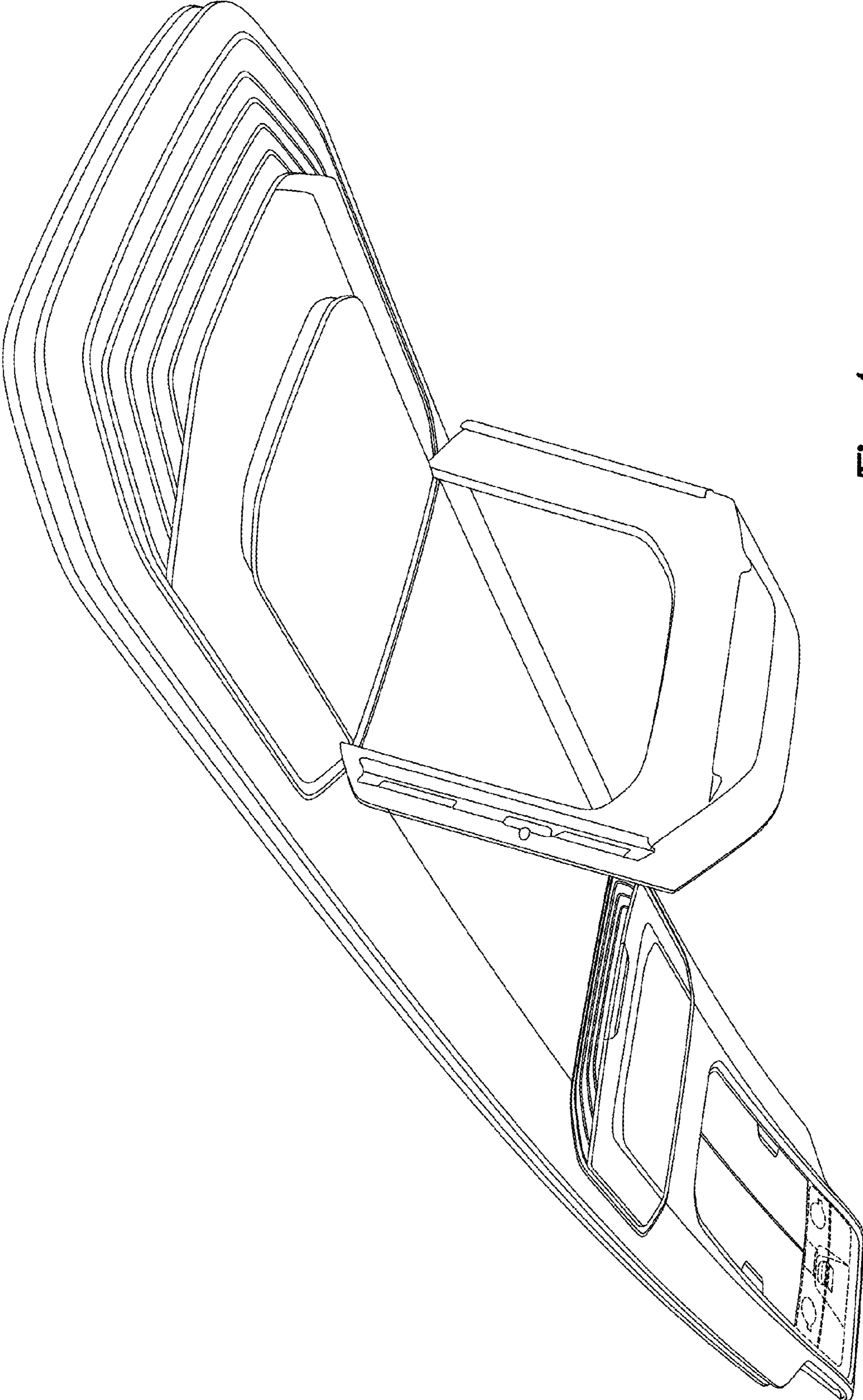


Fig-4

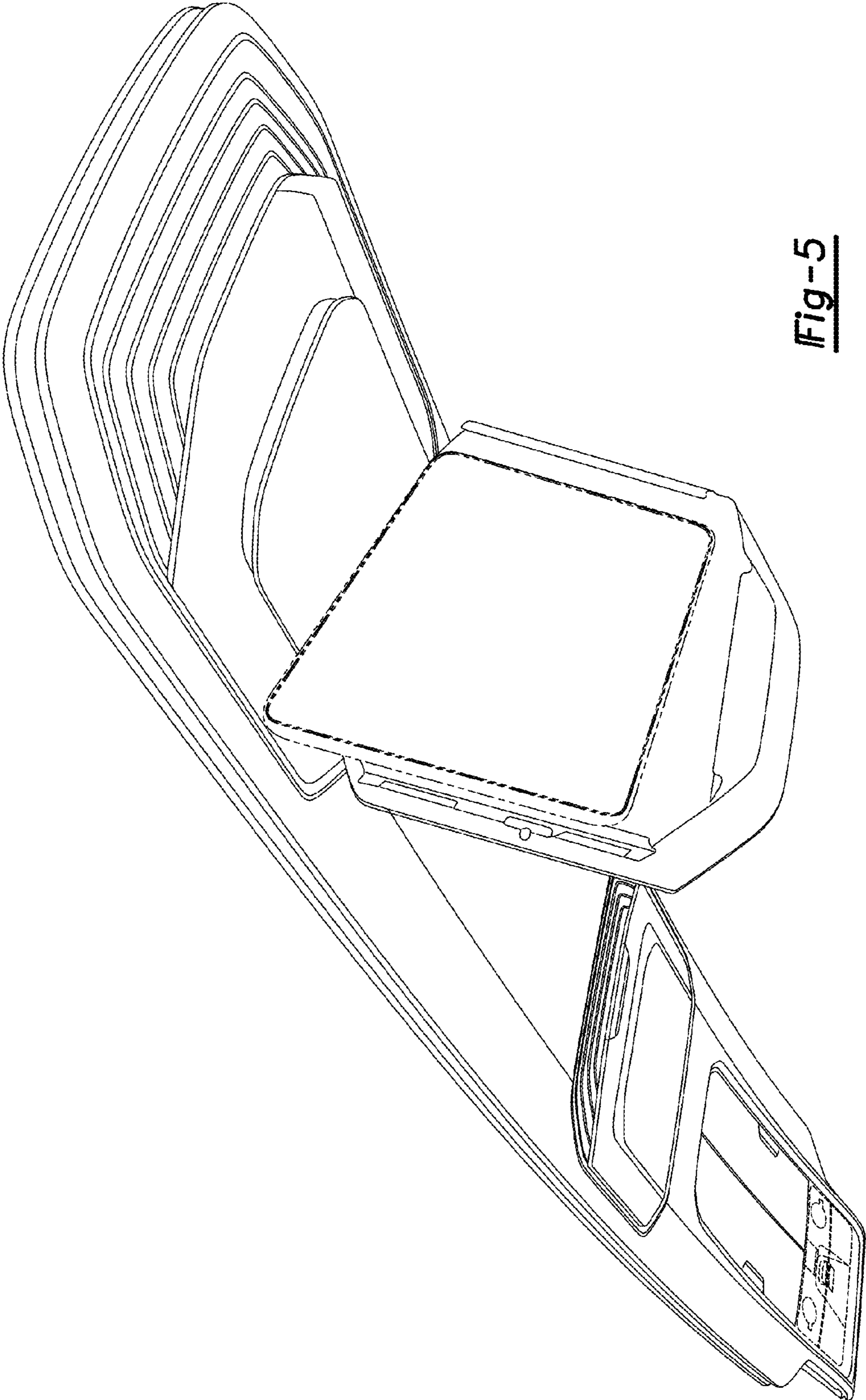


Fig-5

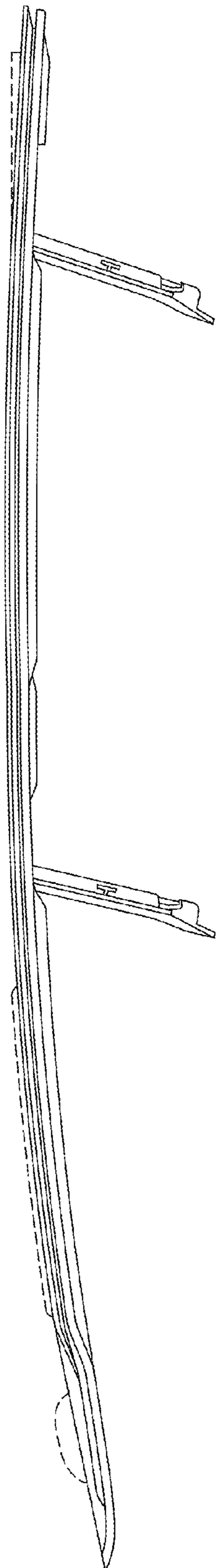


Fig-6

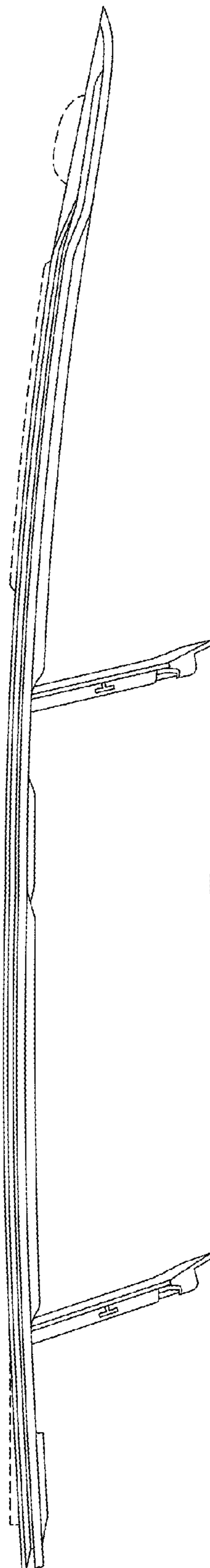


Fig-7

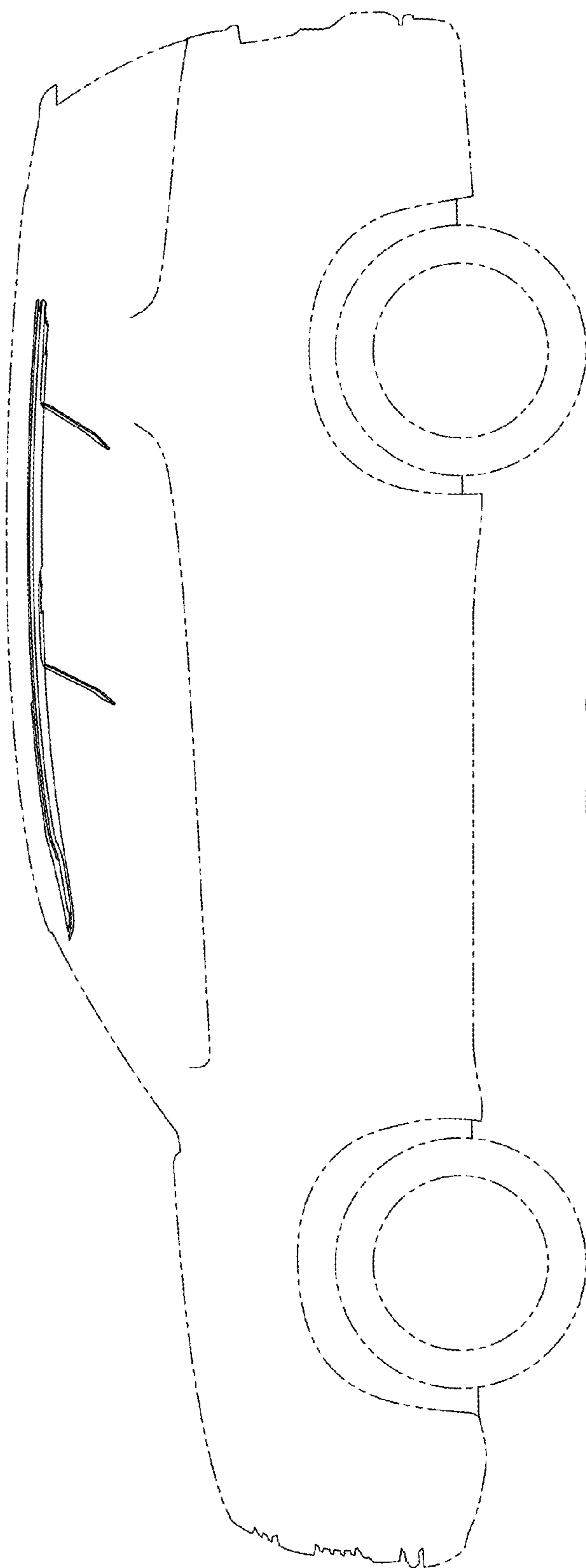


Fig-8