



US00D723999S

(12) **United States Design Patent**  
**van Oossanen et al.**

(10) **Patent No.:** **US D723,999 S**  
(45) **Date of Patent:** **\*\* Mar. 10, 2015**

(54) **BOAT**

(71) Applicant: **AnwigemA B.V.**, Roosendaal (NL)

(72) Inventors: **P. van Oossanen**, Wageningen (NL); **G. J. Bilkert**, Roosendaal (NL)

(\*\*) Term: **14 Years**

(21) Appl. No.: **29/445,459**

(22) Filed: **Feb. 12, 2013**

(30) **Foreign Application Priority Data**

Aug. 15, 2012 (EM) ..... 0020088096-0001

(51) **LOC (10) Cl.** ..... **12-06**

(52) **U.S. Cl.**  
USPC ..... **D12/300**

(58) **Field of Classification Search**  
USPC ..... 114/274, 271, 286, 291, 56.1, 39.24,  
114/280, 265, 123, 275, 61.32, 256, 61.12,  
114/39.28, 278, 290, 288, 289, 124, 90,  
114/283, 273; D12/304, 303, 309; 440/1,  
440/38, 87; 318/588; 60/221, 233  
See application file for complete search history.

(56) **References Cited**

**U.S. PATENT DOCUMENTS**

3,006,307 A \* 10/1961 Johnson ..... 114/278  
3,373,710 A \* 3/1968 Steinberg ..... 114/39.24  
4,095,549 A \* 6/1978 Williams ..... 114/283

4,100,877 A \* 7/1978 Scott et al. .... 440/1  
4,286,534 A \* 9/1981 Sanner ..... 114/39.28  
4,445,453 A \* 5/1984 Morgan, Jr. .... 114/290  
4,582,011 A \* 4/1986 Logan ..... 114/39.24  
4,981,099 A \* 1/1991 Holder ..... 114/274  
4,993,348 A \* 2/1991 Wald ..... 114/265  
D337,300 S \* 7/1993 Bielefeldt ..... D12/303  
5,622,133 A \* 4/1997 Sinitsyn et al. .... 114/272  
5,794,558 A \* 8/1998 Loui ..... 114/274  
7,243,607 B2 \* 7/2007 Chesney et al. .... 114/39.24  
2006/0150885 A1 \* 7/2006 Proto ..... 114/274  
2008/0098943 A1 \* 5/2008 Binger et al. .... 114/274  
2012/0255479 A1 \* 10/2012 Sahlin ..... 114/280  
2013/0213292 A1 \* 8/2013 Tojo ..... 114/274  
2014/0096710 A1 \* 4/2014 Keller ..... 114/274

\* cited by examiner

*Primary Examiner* — Eric Goodman

*Assistant Examiner* — Ryan Harvey

(74) *Attorney, Agent, or Firm* — Porzio, Bromberg & Newman, P.C.

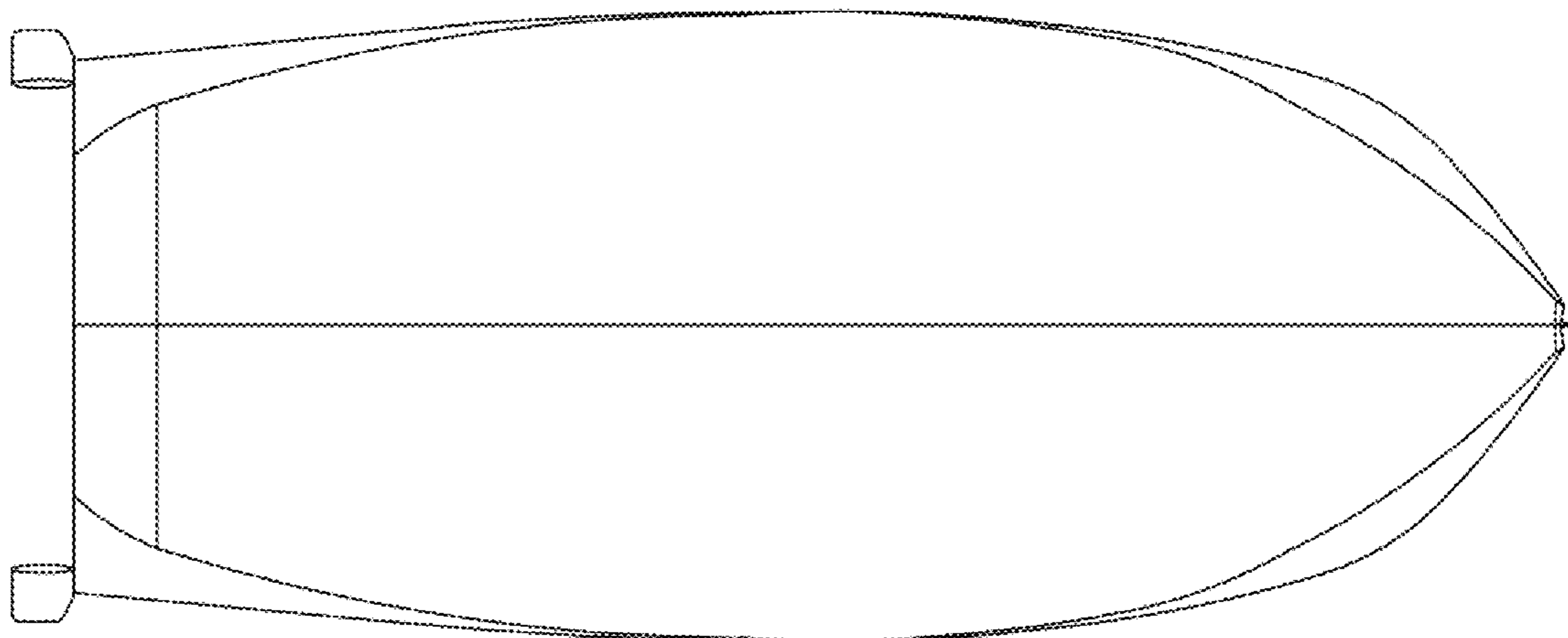
(57) **CLAIM**

The ornamental design for a boat, as shown and described.

**DESCRIPTION**

FIG. 1 is a top plan view of a boat, showing our new design;  
FIG. 2 is a right side elevational view thereof;  
FIG. 3 is a front elevational thereof;  
FIG. 4 is a bottom plan view thereof;  
FIG. 5 is a rear and side perspective view thereof; and,  
FIG. 6 is a rear elevational view thereof.

**1 Claim, 3 Drawing Sheets**



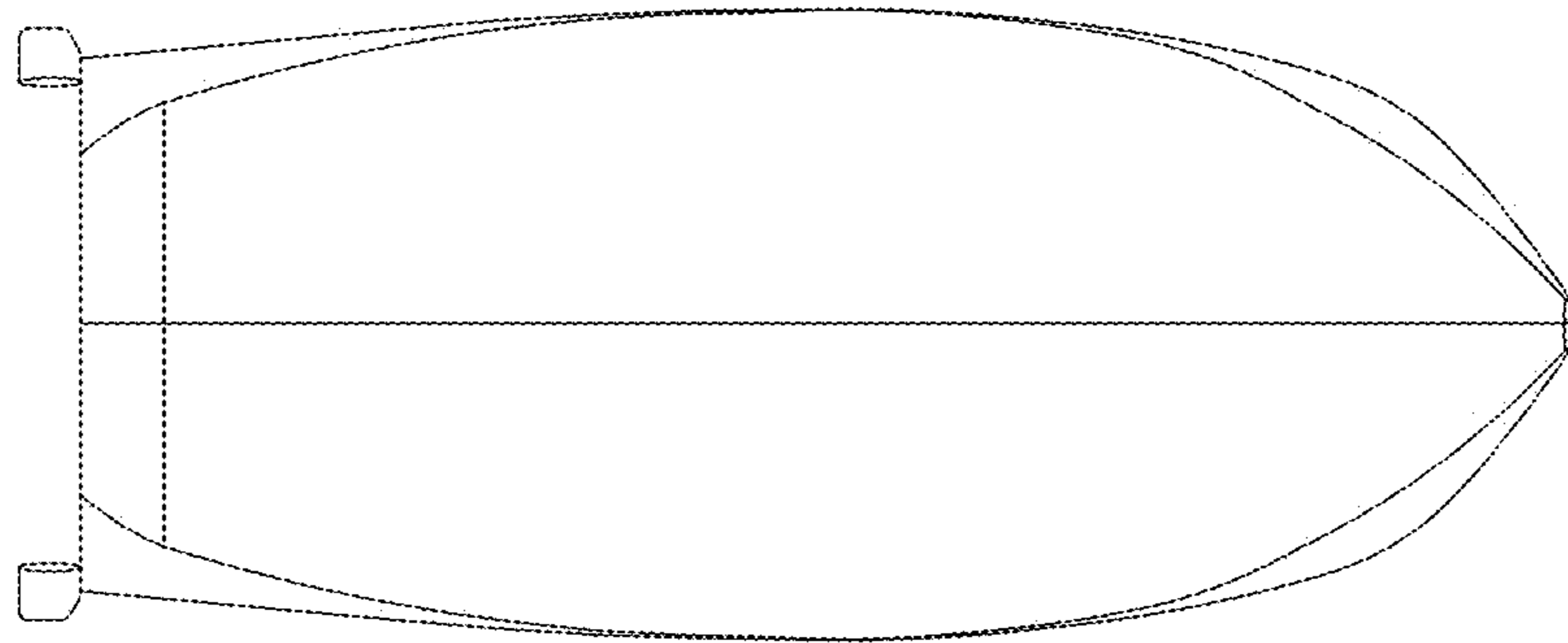


FIG. 1

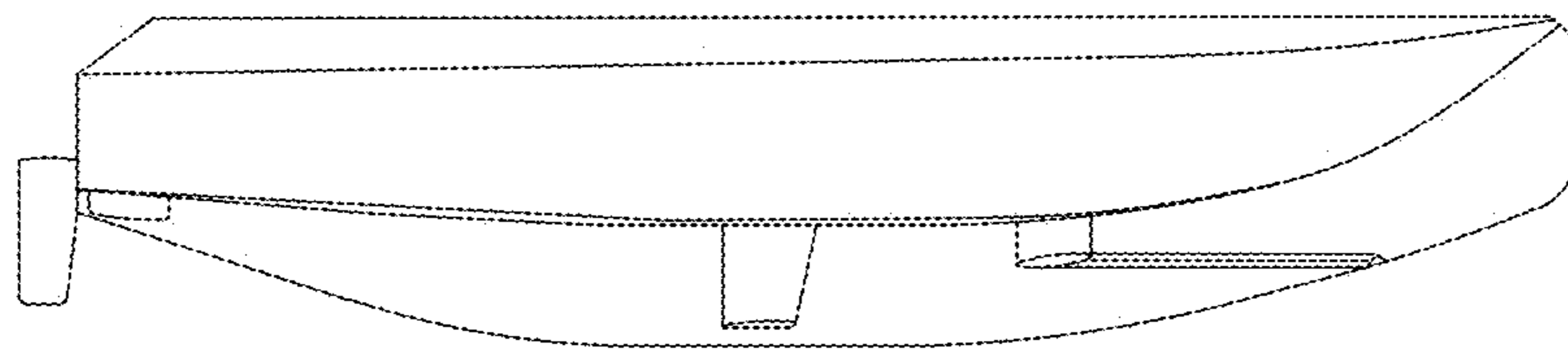
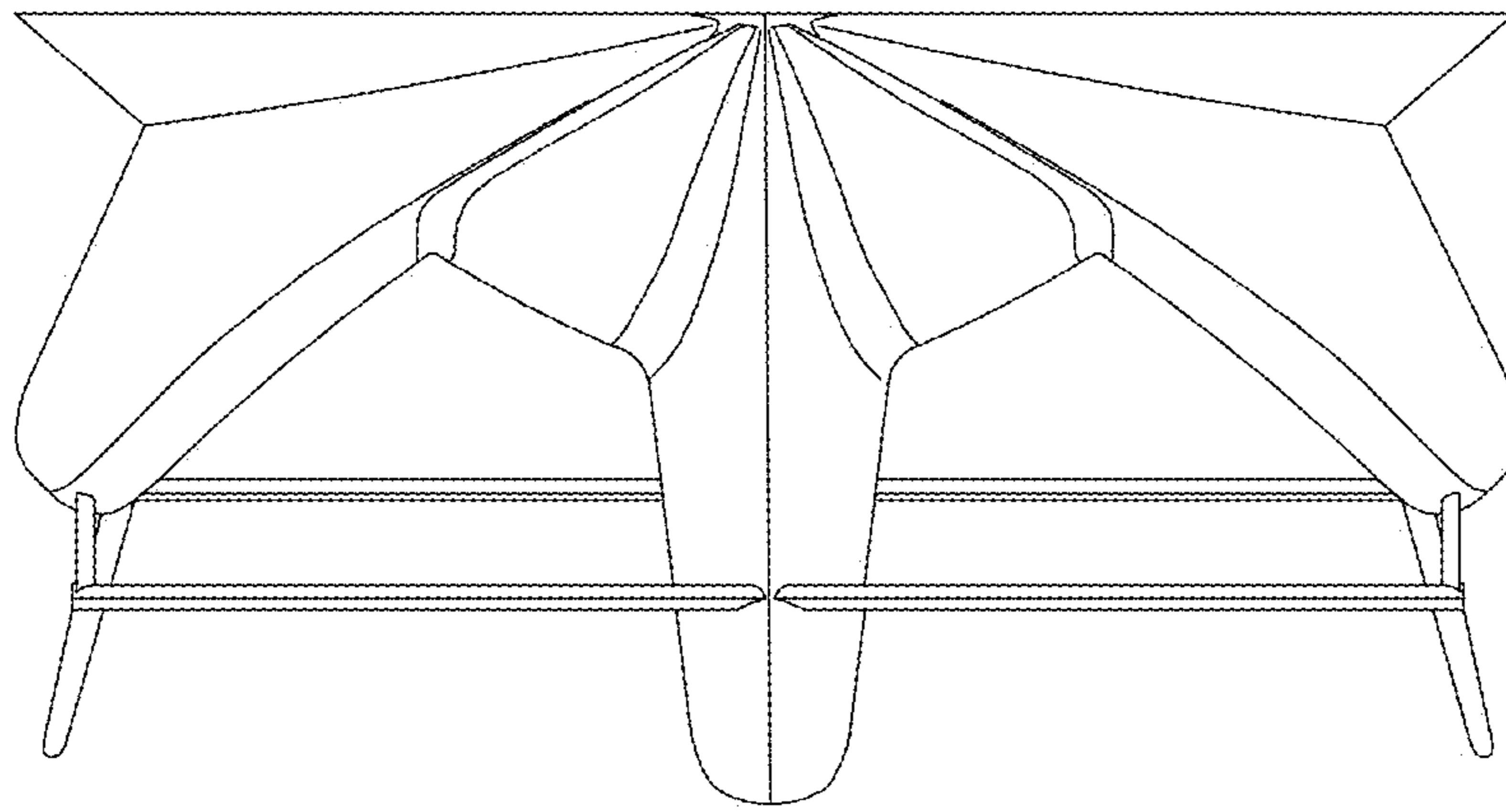
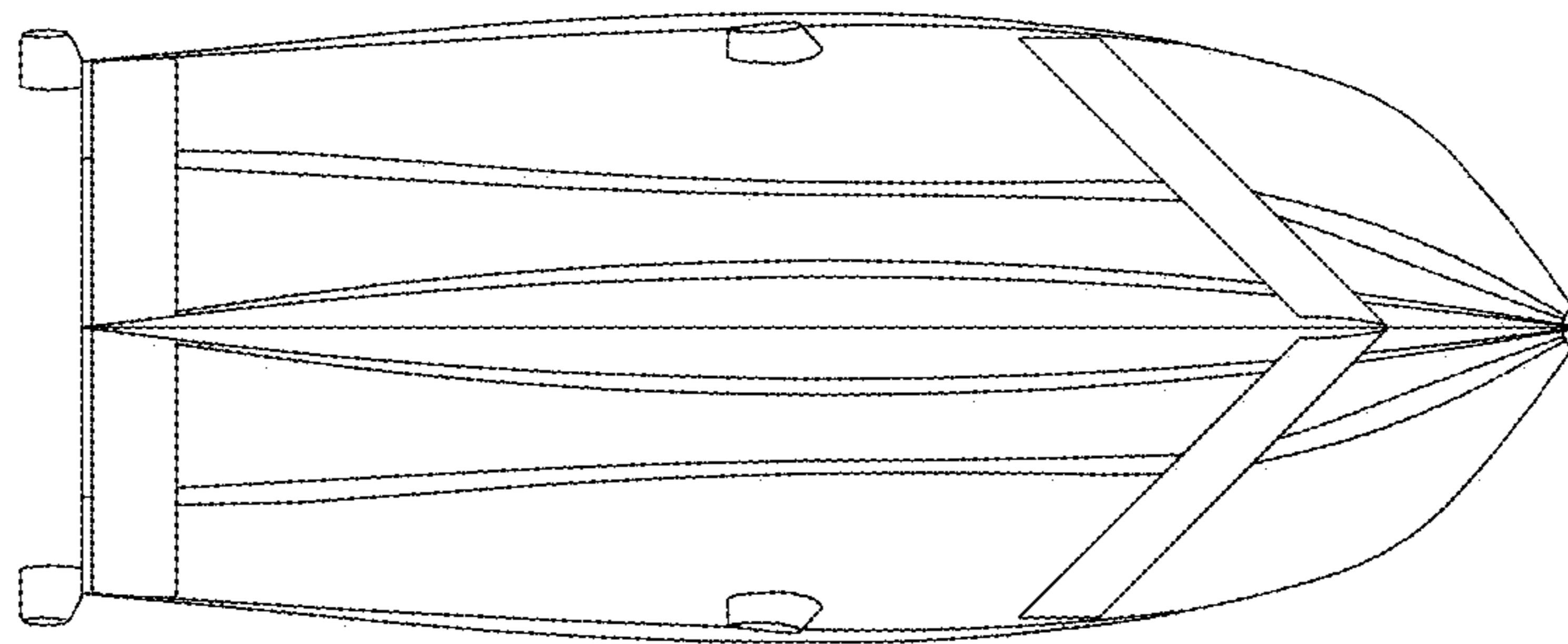


FIG. 2

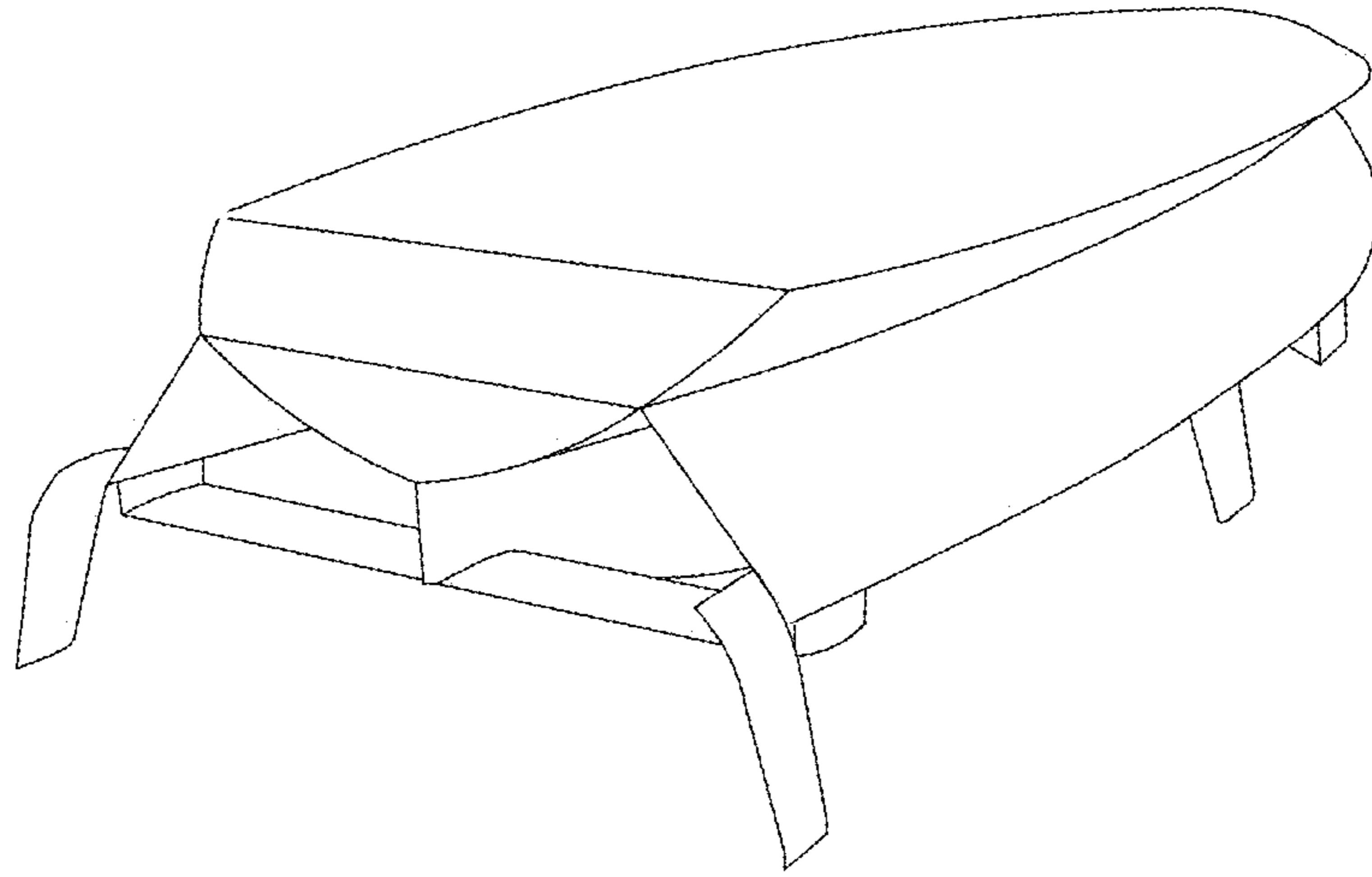
*Fig. 3*



*Fig. 4*



*Fig. 5*



*Fig. 6*

