

US00D723998S

(12) **United States Design Patent**  
**Hansen et al.**

(10) **Patent No.:** **US D723,998 S**  
(45) **Date of Patent:** **\*\* Mar. 10, 2015**

(54) **GAS STRUT SUPPORT**

(71) Applicants: **John Hansen**, Brush, CO (US); **Brandy Hansen**, Brush, CO (US)

(72) Inventors: **John Hansen**, Brush, CO (US); **Brandy Hansen**, Brush, CO (US)

(\*\*) Term: **14 Years**

(21) Appl. No.: **29/454,598**

(22) Filed: **May 12, 2013**

(51) **LOC (10) Cl.** ..... **12-06**

(52) **U.S. Cl.**  
USPC ..... **D12/223**; D8/349

(58) **Field of Classification Search**  
USPC ..... D12/1, 223, 169, 171; D8/349, 354,  
D8/363, 370; D15/31, 28; 49/57; 293/38,  
293/115, 144, 149, 148  
See application file for complete search history.

(56) **References Cited**

**U.S. PATENT DOCUMENTS**

D307,946 S *	5/1990	Snow	.....	D26/138
D391,148 S *	2/1998	Rosen	.....	D8/380
5,791,614 A *	8/1998	Sims	.....	248/230.7
D470,457 S *	2/2003	McCoy et al.	.....	D13/118
D599,272 S *	9/2009	Feder	.....	D12/223
7,735,810 B2 *	6/2010	Pope et al.	.....	267/64.12
D632,625 S *	2/2011	Tezak et al.	.....	D12/195
D659,513 S *	5/2012	Lin	.....	D8/349

D660,986 S *	5/2012	Meyer et al.	.....	D25/128
8,480,737 B2 *	7/2013	Hristov et al.	.....	623/10
2006/0243764 A1 *	11/2006	Chiang	.....	223/85
2014/0077049 A1 *	3/2014	Brandon	.....	248/288.11

\* cited by examiner

*Primary Examiner* — Sheryl Lane

(57) **CLAIM**

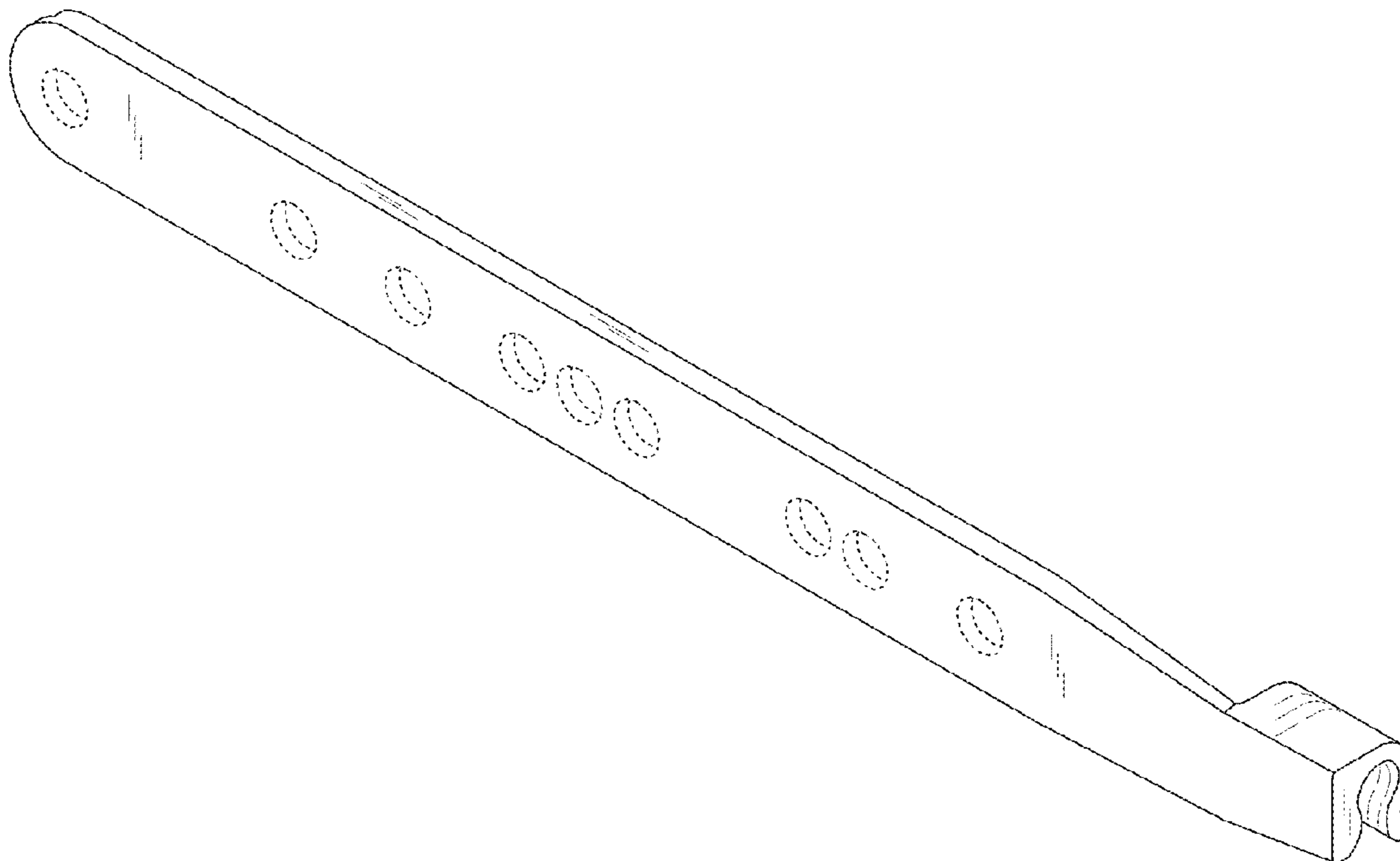
We claim the ornamental design for a gas strut support, as shown and described.

**DESCRIPTION**

FIG. 1 is front perspective view of a gas strut support; FIG. 2 is a rear perspective view of the gas strut support of FIG. 1; FIG. 3 is a left side view of the gas strut support of FIG. 1; FIG. 4 is a right side view of the gas strut support of FIG. 1; FIG. 5 is a rear view of the gas strut support of FIG. 1; FIG. 6 is a front view of the gas strut support of FIG. 1; FIG. 7 is a top view of the gas strut support of FIG. 1; FIG. 8 is a bottom view of the gas strut support of FIG. 1; FIG. 9 is an environmental perspective view of the gas strut support of FIG. 1; and, FIG. 10 is an environmental perspective view of the gas strut support of FIG. 1 in an alternate position.

The broken lines on the support represent portions of the article and form no part of the claimed design. The broken lines of the vehicle in FIGS. 9 and 10 represent environment and form no part of the claimed design.

**1 Claim, 7 Drawing Sheets**



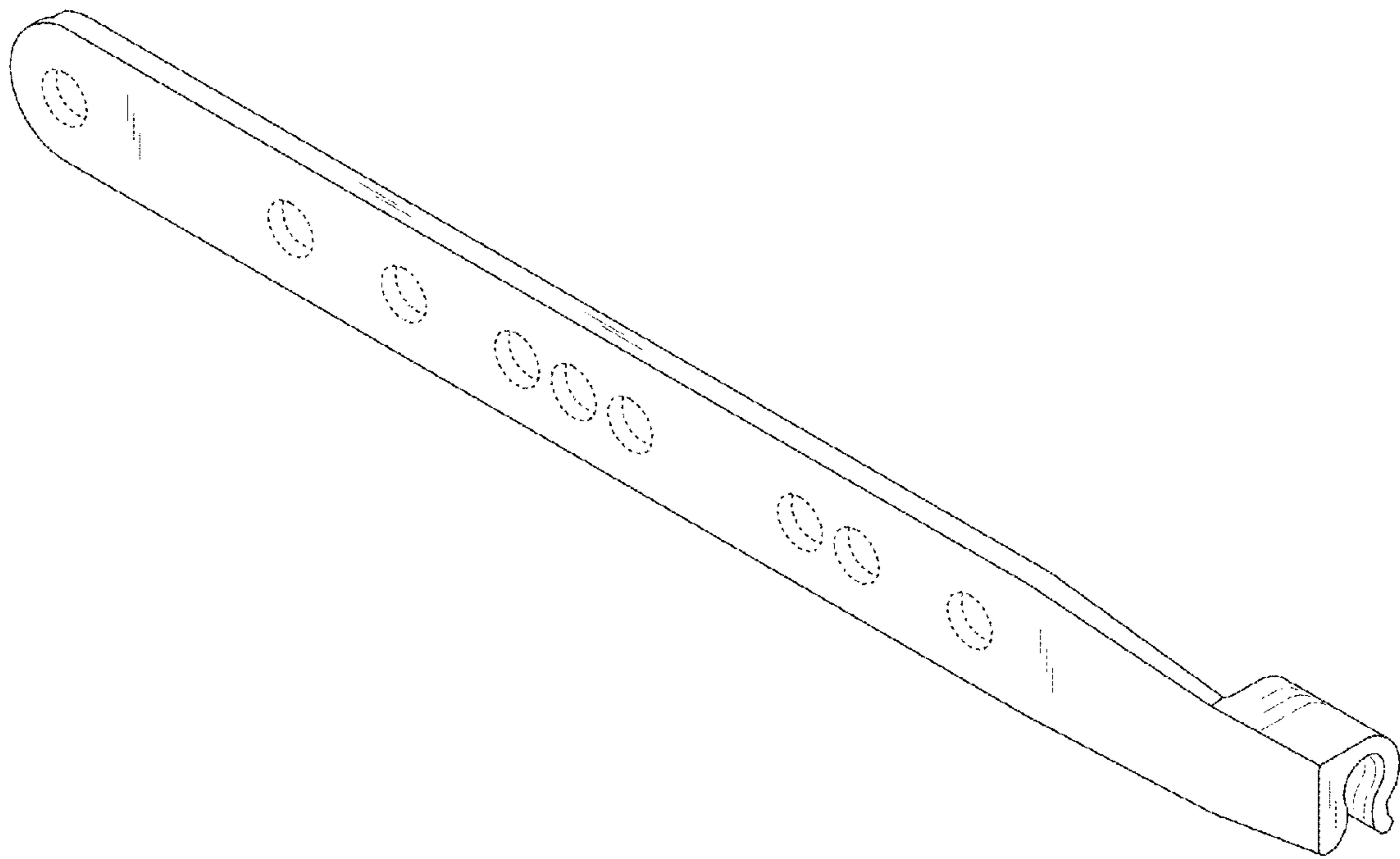


FIG. 1

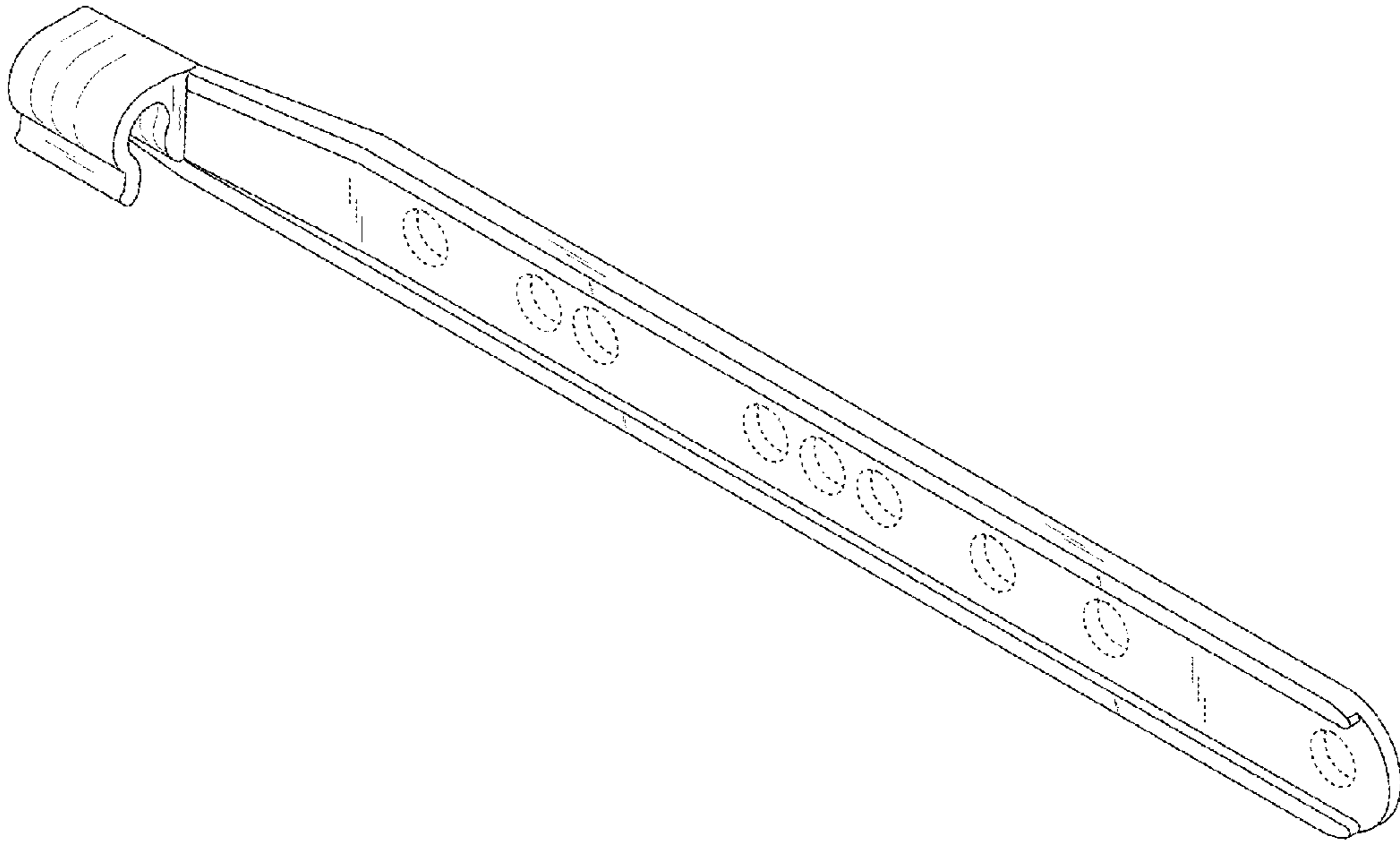


FIG. 2

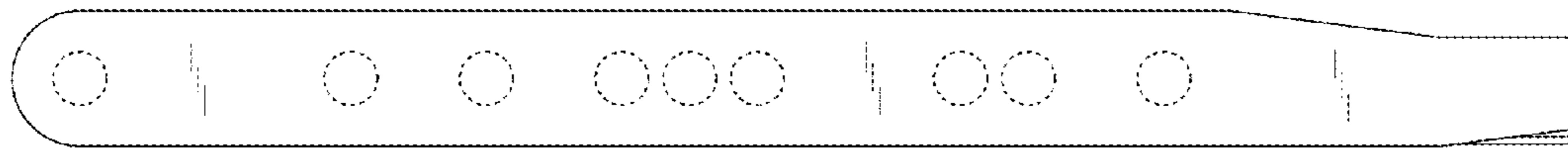


FIG. 3



FIG. 4

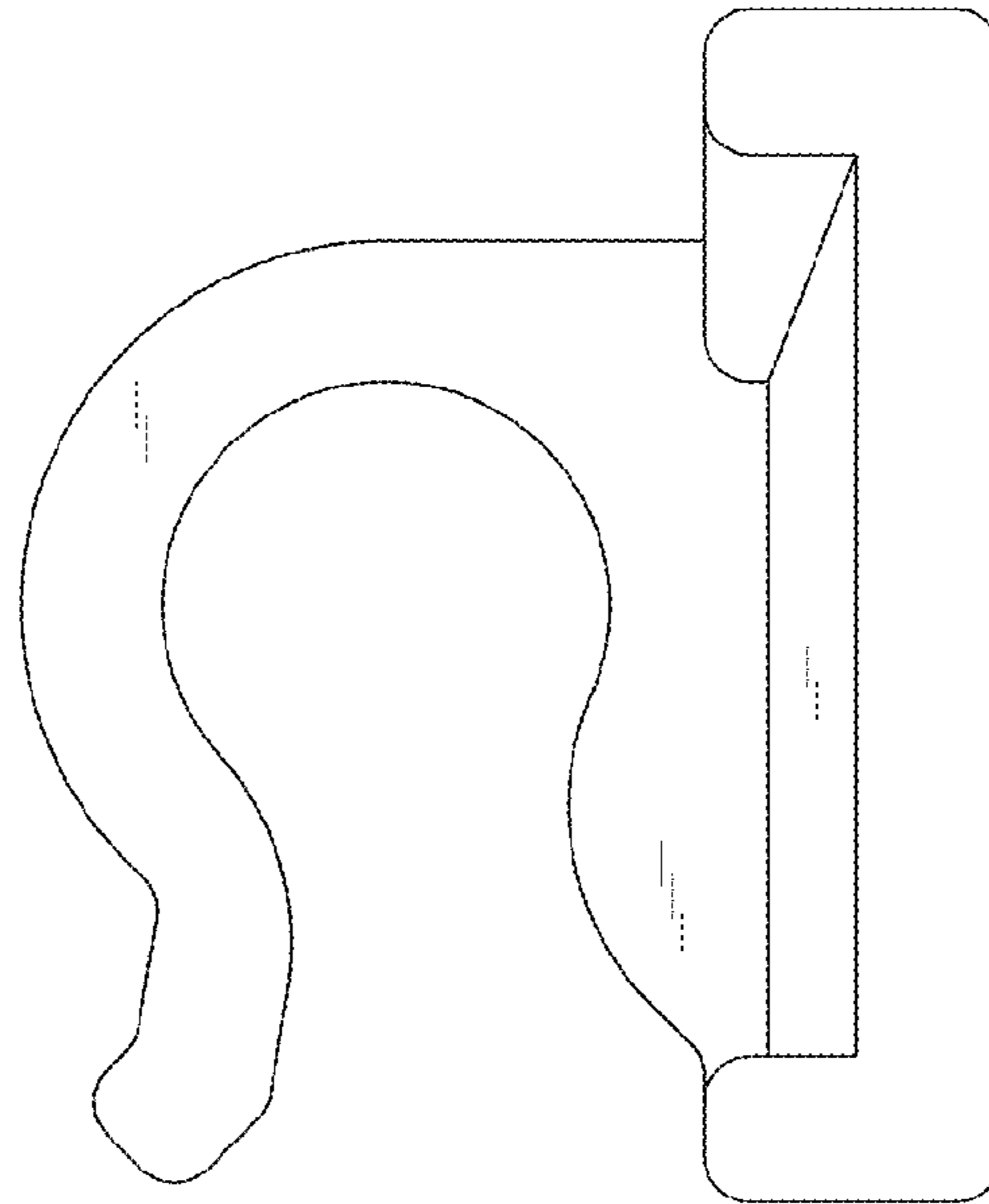


FIG. 5

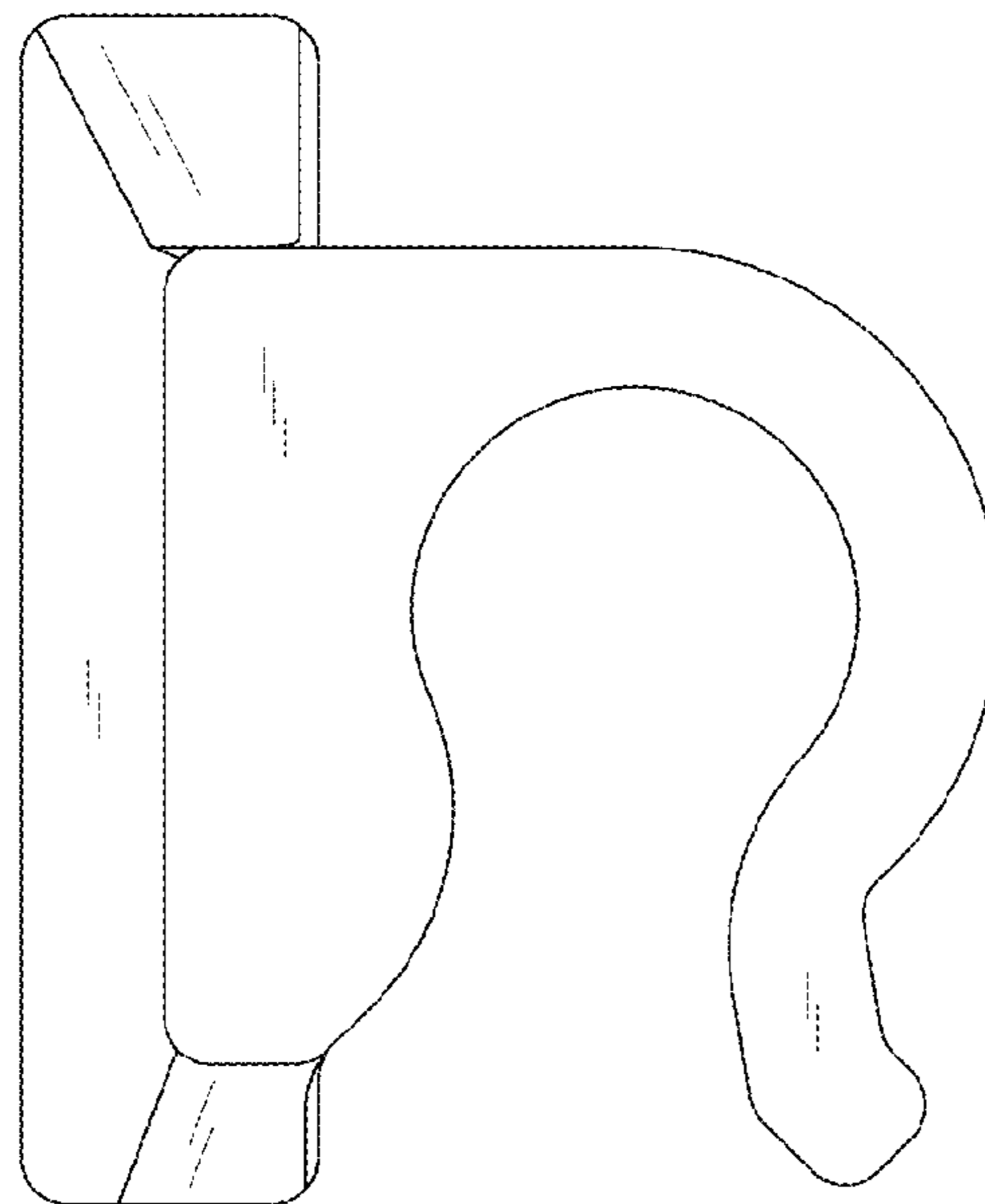


FIG. 6

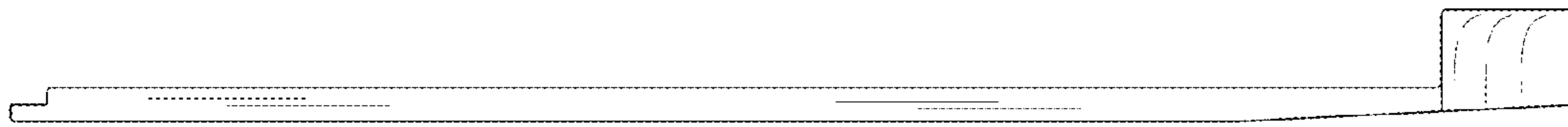


FIG. 7

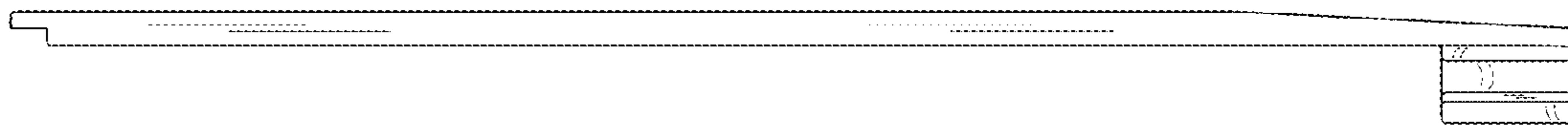


FIG. 8

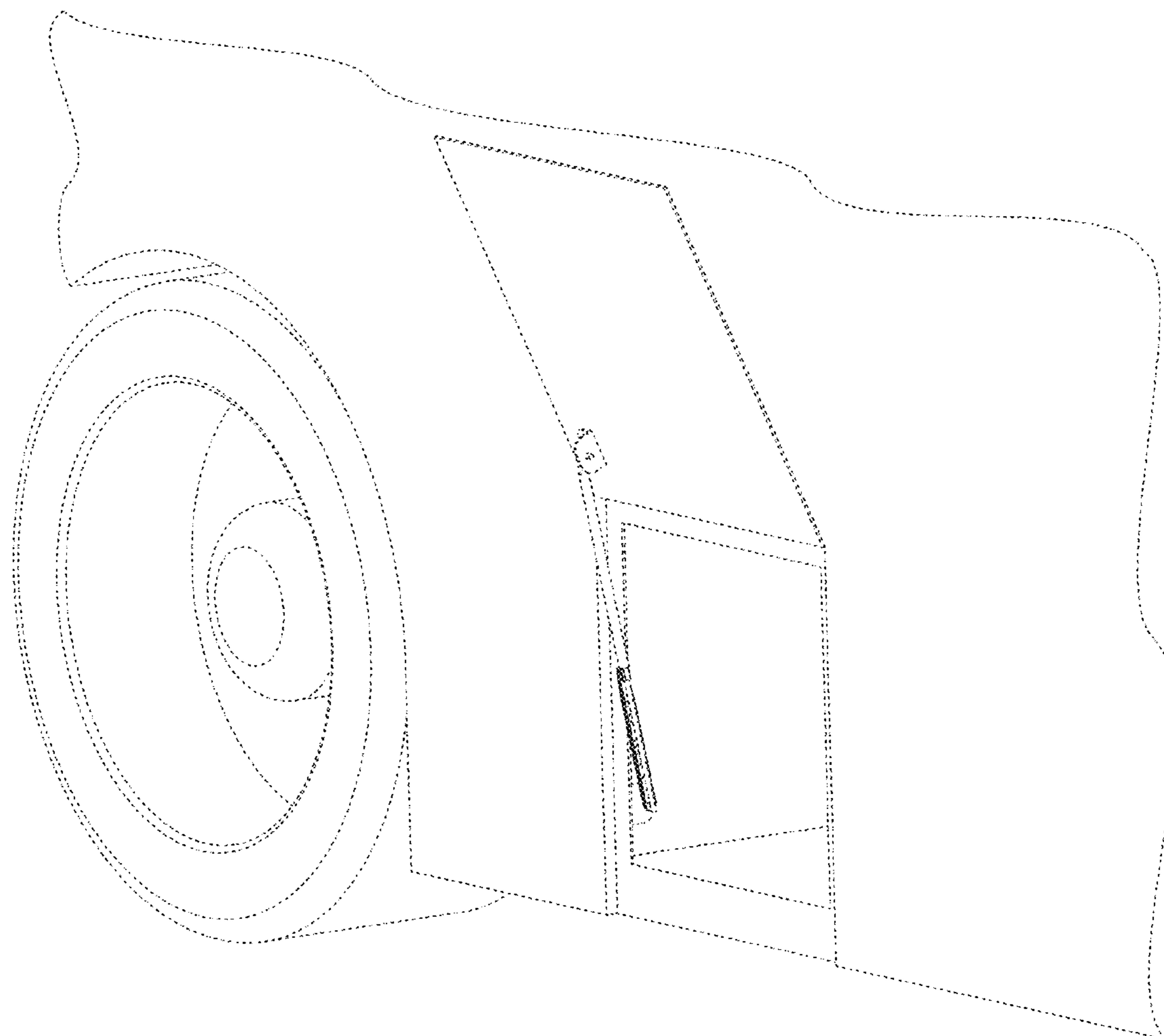


FIG. 9

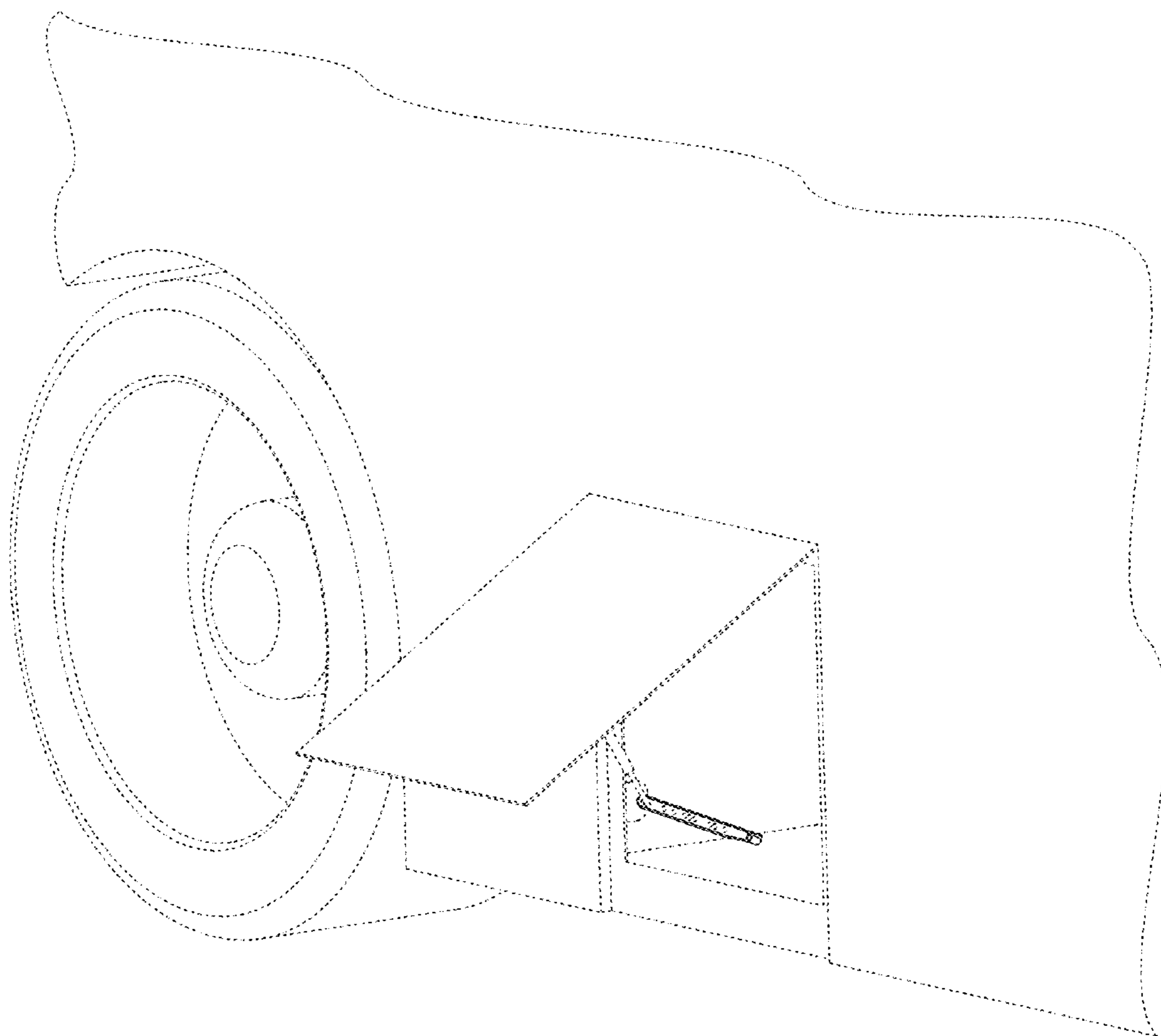


FIG. 10