



US00D723995S

(12) **United States Design Patent**
Zhao

(10) **Patent No.:** **US D723,995 S**
(45) **Date of Patent:** **** Mar. 10, 2015**

(54) **AUTOMOBILE WHEEL**

(71) Applicant: **Wah Hung Group Inc.**, Monterey Park, CA (US)

(72) Inventor: **John Zhao**, Monterey Park, CA (US)

(73) Assignee: **Wah Hung Group Inc.**, Monterey Park, CA (US)

(**) Term: **14 Years**

(21) Appl. No.: **29/506,020**

(22) Filed: **Oct. 12, 2014**

(51) **LOC (10) Cl.** **12-16**

(52) **U.S. Cl.**
USPC **D12/211**

(58) **Field of Classification Search**
CPC B60B 7/00; B60B 7/02; B60B 7/04;
B60B 7/01; B60B 7/06; B60B 3/02; B60B
3/04; B60B 3/06; B60B 3/10; B60B 1/00;
B60B 1/08; B60B 1/10; B60B 1/12
USPC D12/204-213
See application file for complete search history.

(56) **References Cited**

U.S. PATENT DOCUMENTS

D373,562 S * 9/1996 Cole D12/211
D388,045 S * 12/1997 Sakagami et al. D12/209
D436,569 S * 1/2001 Brown et al. D12/209

D498,196 S * 11/2004 Johnson D12/211
D511,488 S * 11/2005 Hou et al. D12/209
D513,219 S * 12/2005 Sinkwitz D12/209
D519,072 S * 4/2006 Komuro D12/209
D523,798 S * 6/2006 Szavits D12/209
D550,598 S * 9/2007 Schaefers D12/209
D568,224 S * 5/2008 Szavits D12/209
D623,109 S * 9/2010 Markefka D12/209
D623,999 S * 9/2010 Holstein et al. D12/211
D696,617 S * 12/2013 Mueller-Stolz D12/211

OTHER PUBLICATIONS

Search Results for IN/emie and IN/alfonso on uspto.gov on Dec. 21, 2014.

Search result of IN/john and TTL/wheel and IN/zhao on Dec. 19, 2014 on uspto.gov.

* cited by examiner

Primary Examiner — Stacia Cadmus

(74) *Attorney, Agent, or Firm* — Payam Moradian

(57) **CLAIM**

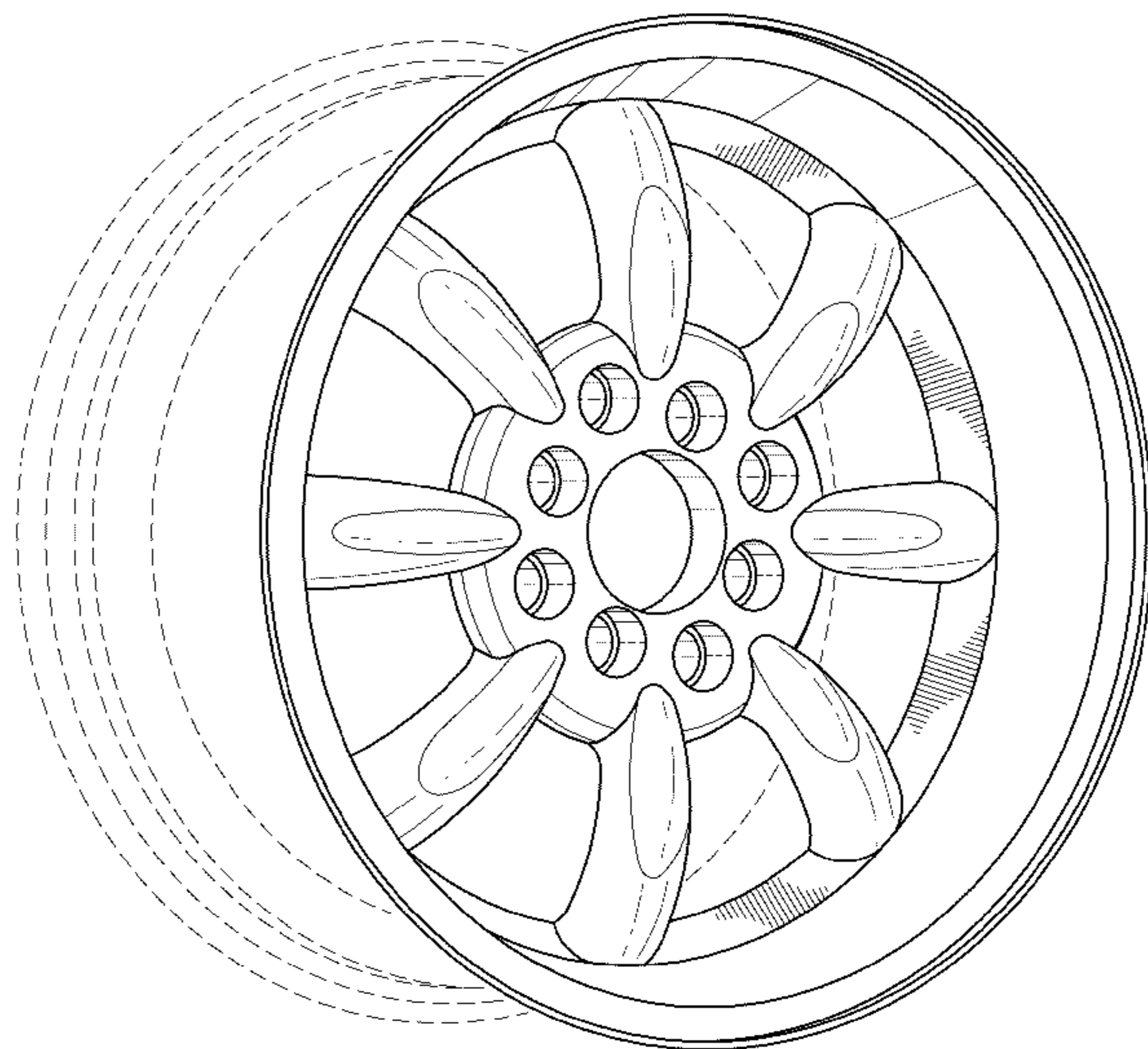
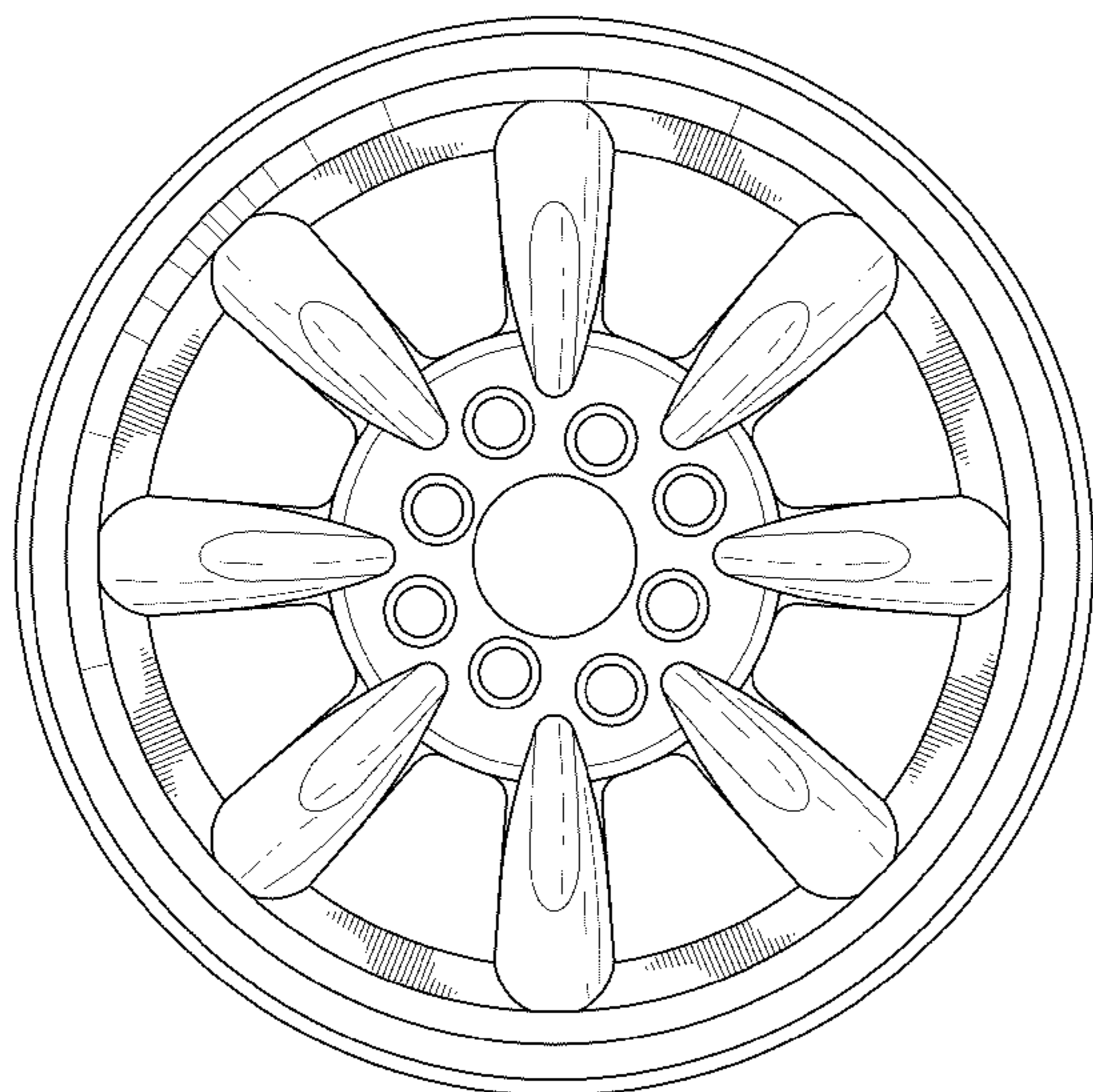
I claim the ornamental design for an automobile wheel, as shown and described.

DESCRIPTION

FIG. 1 is a front elevational view of an automobile wheel; and, FIG. 2 is a perspective view thereof.

The broken line showing of the rear portion of the wheel is included for the purpose of illustrating environment and forms no part of the claimed design.

1 Claim, 2 Drawing Sheets



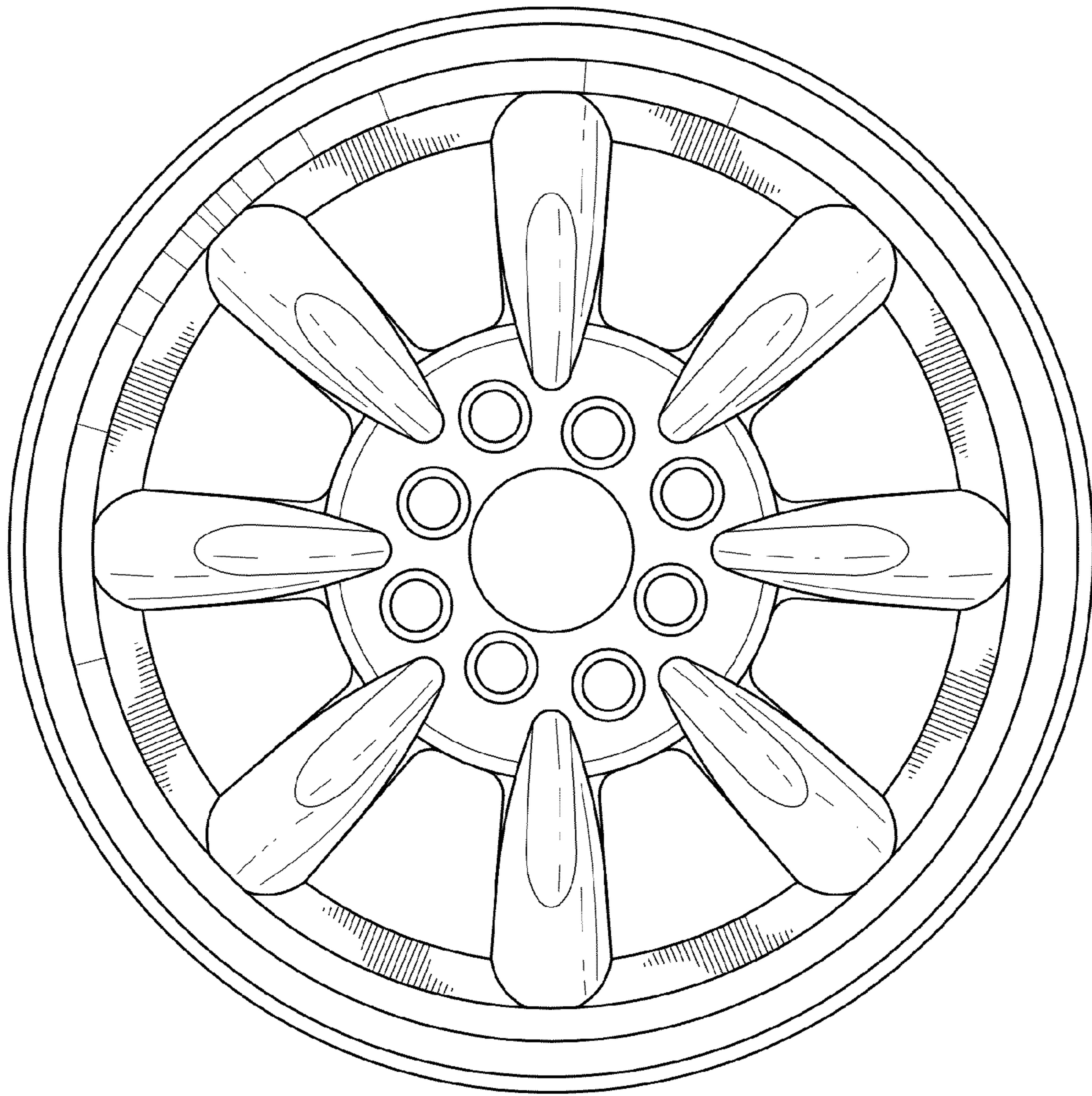


FIG. 1

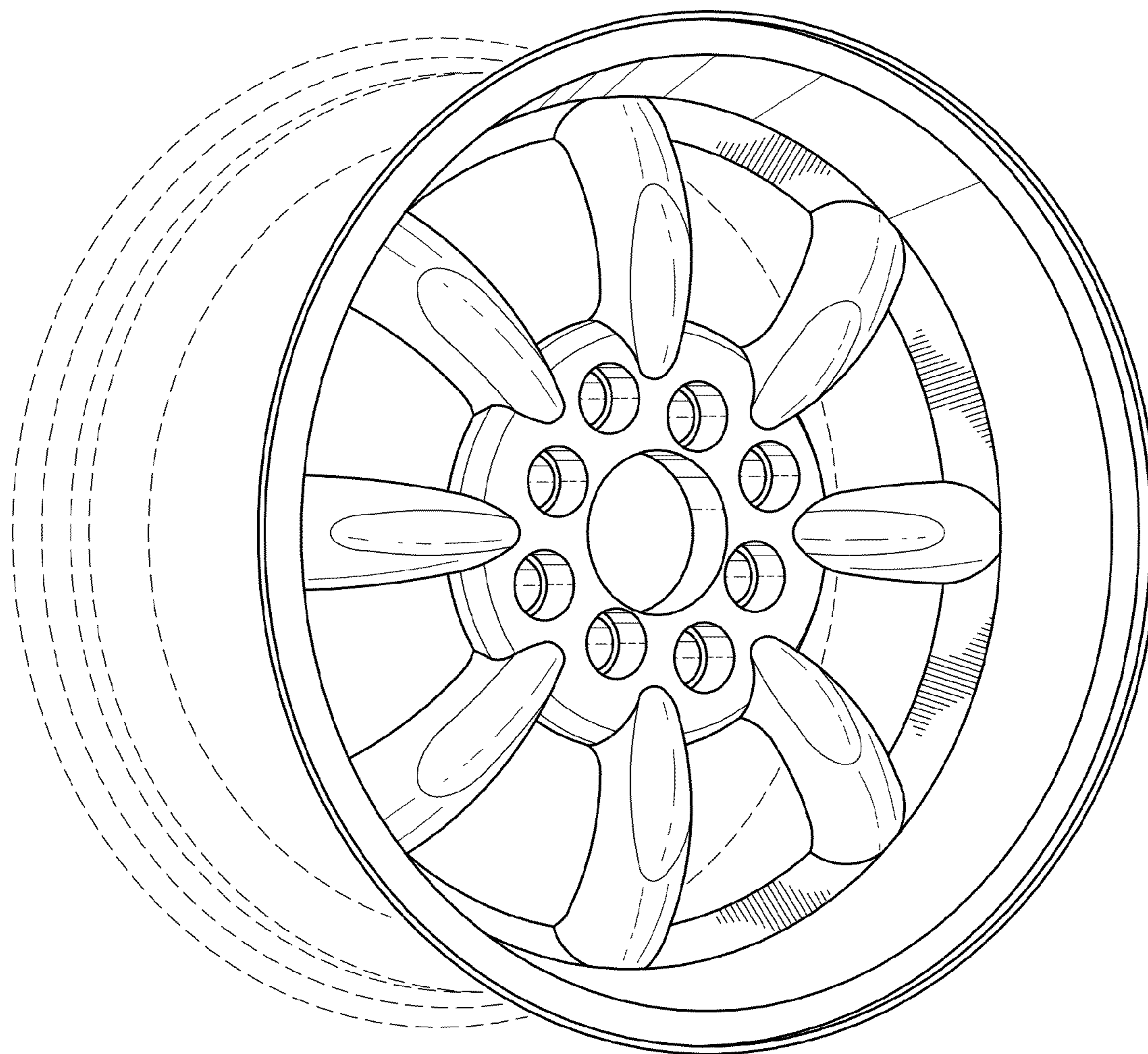


FIG. 2