



US00D723994S

(12) **United States Design Patent**
Chung

(10) **Patent No.:** **US D723,994 S**
(45) **Date of Patent:** **** Mar. 10, 2015**

(54) **WHEEL**

(71) Applicant: **Suny Chung**, Yorba Linda, CA (US)

(72) Inventor: **Suny Chung**, Yorba Linda, CA (US)

(73) Assignee: **Wheel Pros, LLC**, Greenwood Village, CO (US)

(**) Term: **14 Years**

(21) Appl. No.: **29/433,628**

(22) Filed: **Oct. 2, 2012**

(51) **LOC (10) Cl.** **12-16**

(52) **U.S. Cl.**
USPC **D12/211**

(58) **Field of Classification Search**
CPC B60B 7/00; B60B 7/02; B60B 7/04;
B60B 7/01; B60B 7/06; B60B 3/02; B60B
3/04; B60B 3/06; B60B 3/10; B60B 1/00;
B60B 1/08; B60B 1/10; B60B 1/12
USPC D12/204-213
See application file for complete search history.

(56) **References Cited**

U.S. PATENT DOCUMENTS

D459,691 S *	7/2002	Takechi	D12/211
D466,466 S *	12/2002	Laengerer	D12/211
D488,763 S *	4/2004	Takechi	D12/211
D501,440 S *	2/2005	Pfeiffer	D12/211
D508,006 S *	8/2005	Laengerer	D12/209
D524,219 S *	7/2006	Scheu	D12/211
D577,323 S *	9/2008	Chung	D12/211
D623,114 S *	9/2010	Geisler	D12/211

D629,734 S *	12/2010	Batchelor	D12/211
D638,769 S *	5/2011	Groom	D12/211
D656,450 S *	3/2012	Zhao	D12/211

* cited by examiner

Primary Examiner — Stacia Cadmus

(74) *Attorney, Agent, or Firm* — Garcia-Zamor IP Law; Ruy M. Garcia-Zamor

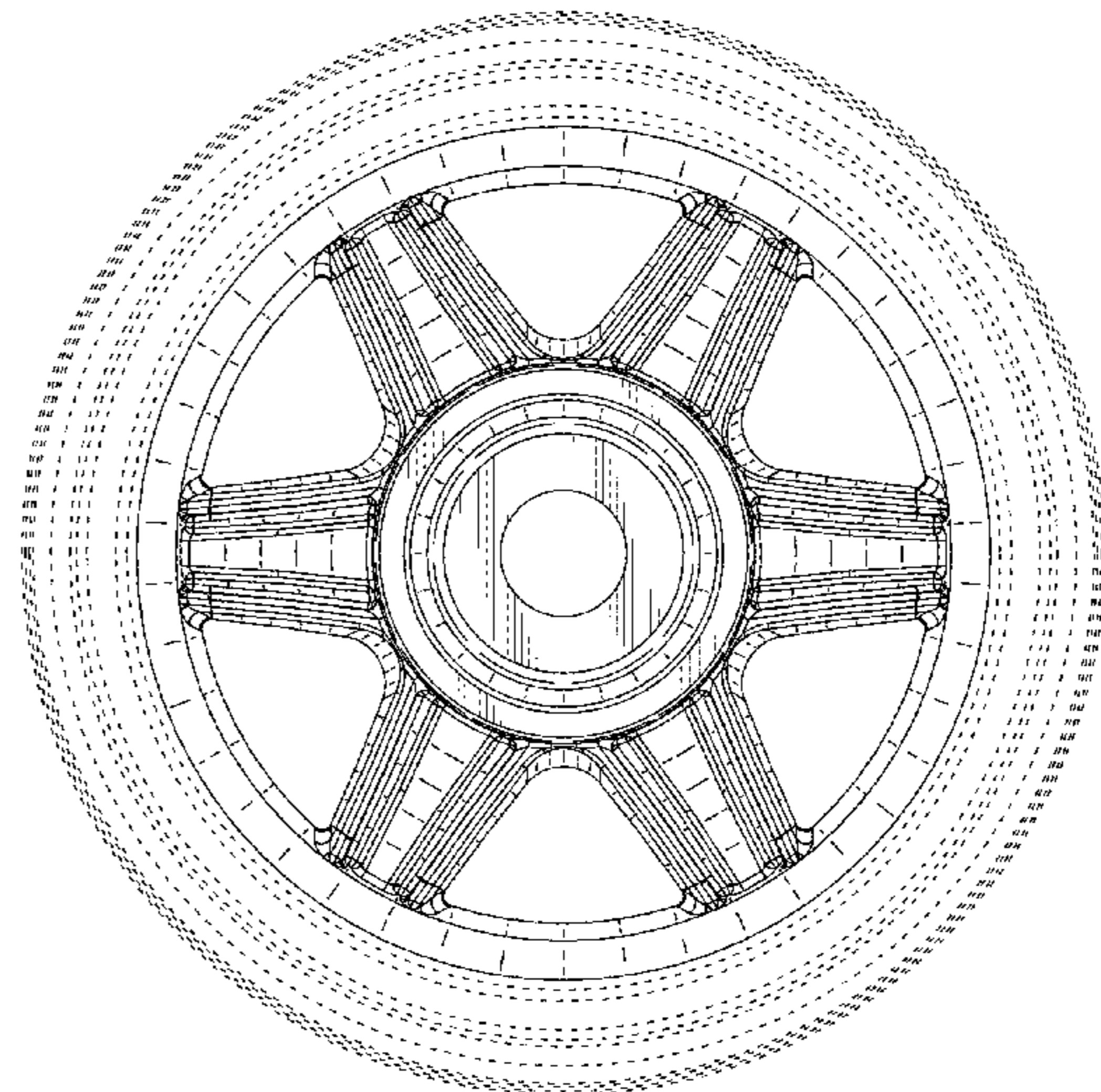
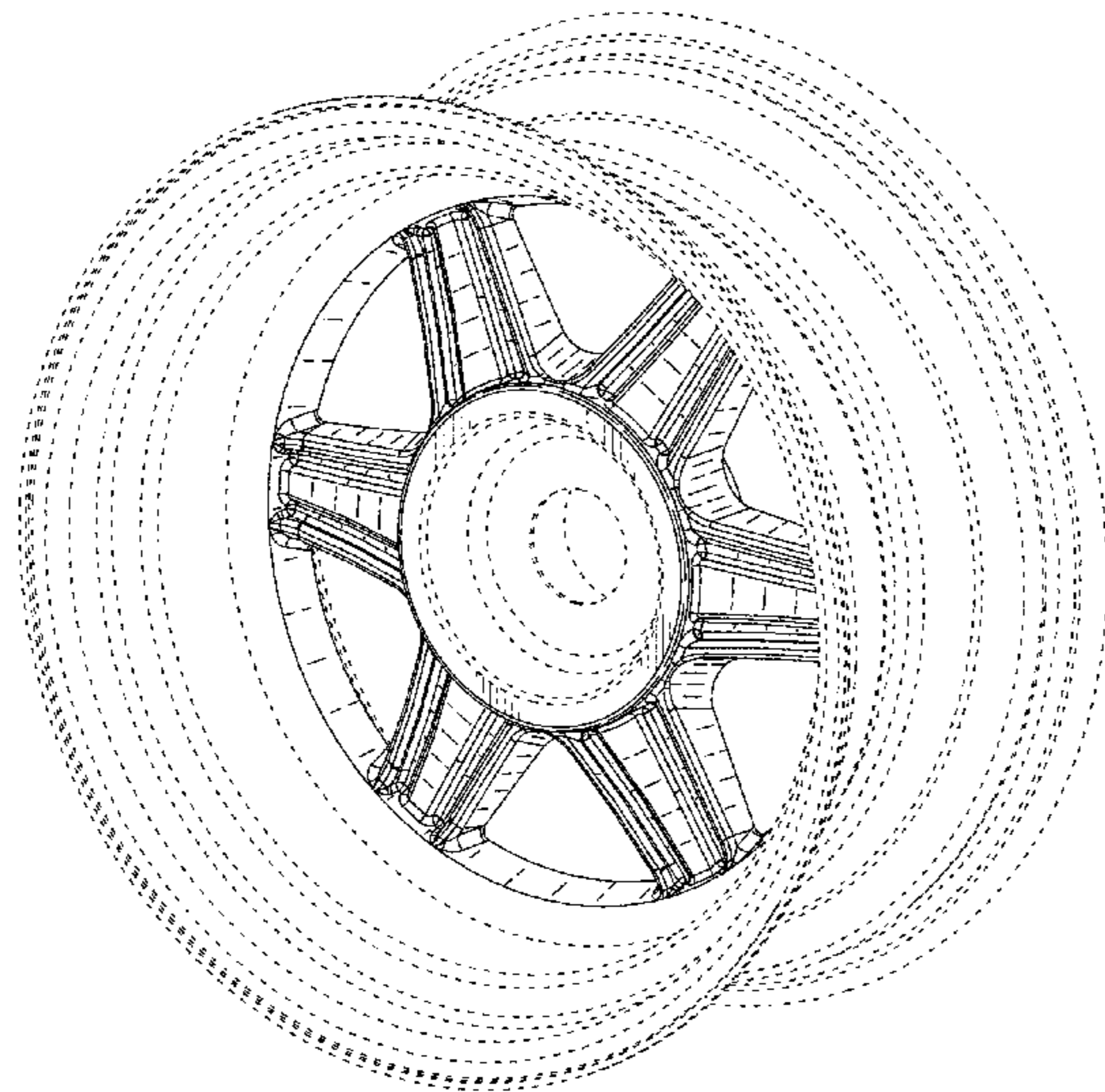
(57) **CLAIM**

The ornamental design for a wheel, as shown and described.

DESCRIPTION

FIG. 1 is a perspective view of a wheel according to a first preferred embodiment of my new design;
 FIG. 2 is a front elevational view of the wheel of FIG. 1;
 FIG. 3 is a left side elevational view of the wheel of FIG. 1, the right side elevational view of the wheel of FIG. 1 is a mirror image of FIG. 3;
 FIG. 4 is a top plan view of the wheel of FIG. 1;
 FIG. 5 is a bottom plan view of the wheel of FIG. 1;
 FIG. 6 is a rear elevational view of the wheel of FIG. 1;
 FIG. 7 is a perspective view of a wheel according to a second preferred embodiment of my new design;
 FIG. 8 is a front elevational view of the wheel of FIG. 7;
 FIG. 9 is a left side elevational view of the wheel of FIG. 7, the right side elevational view of the wheel of FIG. 7 is a mirror image of FIG. 9;
 FIG. 10 is a top plan view of the wheel of FIG. 7;
 FIG. 11 is a bottom plan view of the wheel of FIG. 7; and,
 FIG. 12 is a rear elevational view of the wheel of FIG. 7.
 The broken lines in FIGS. 1-12 represent environment and are for illustrative purposes only and do not constitute part of the claimed design.

1 Claim, 10 Drawing Sheets



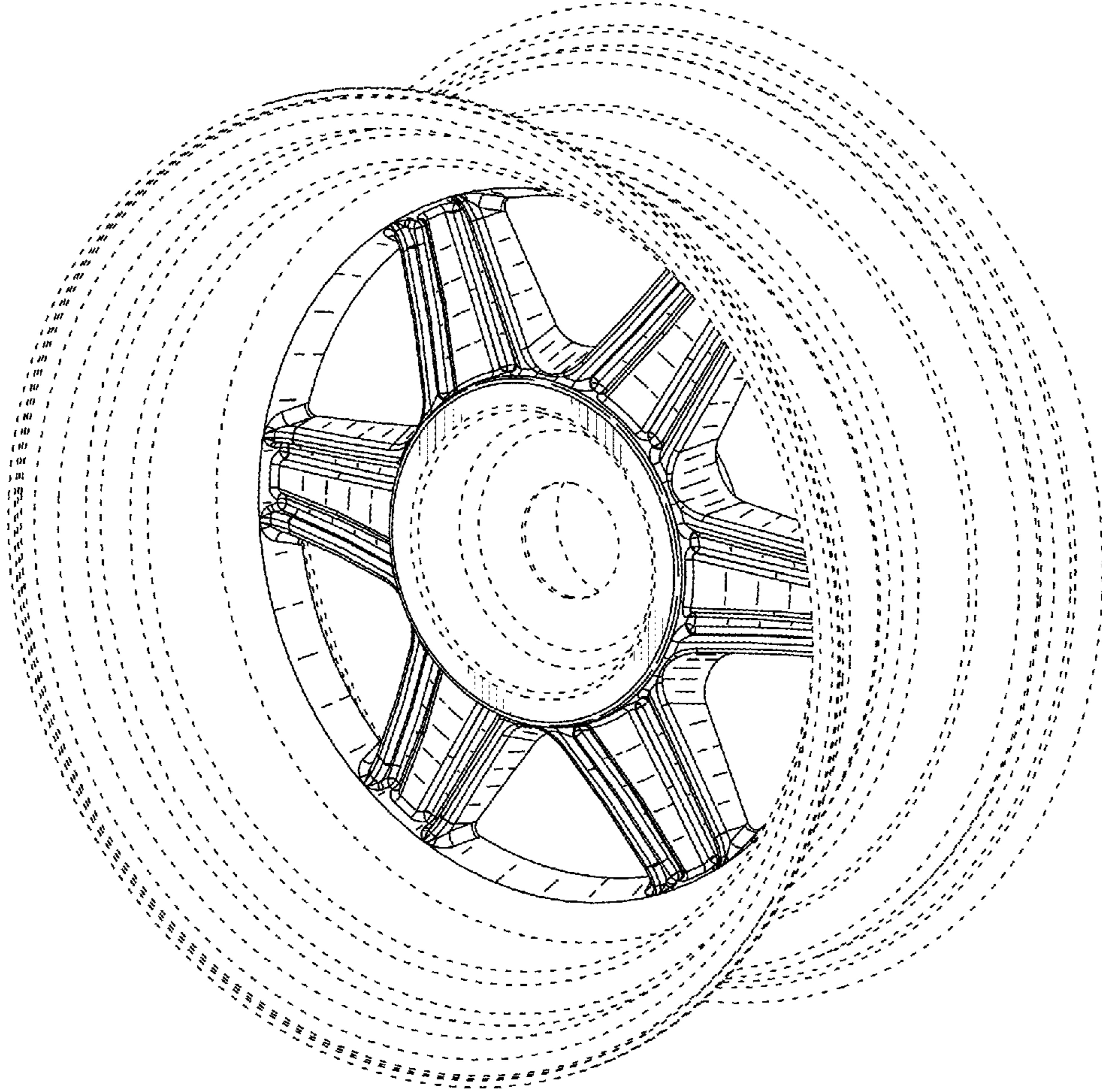


FIG. 1

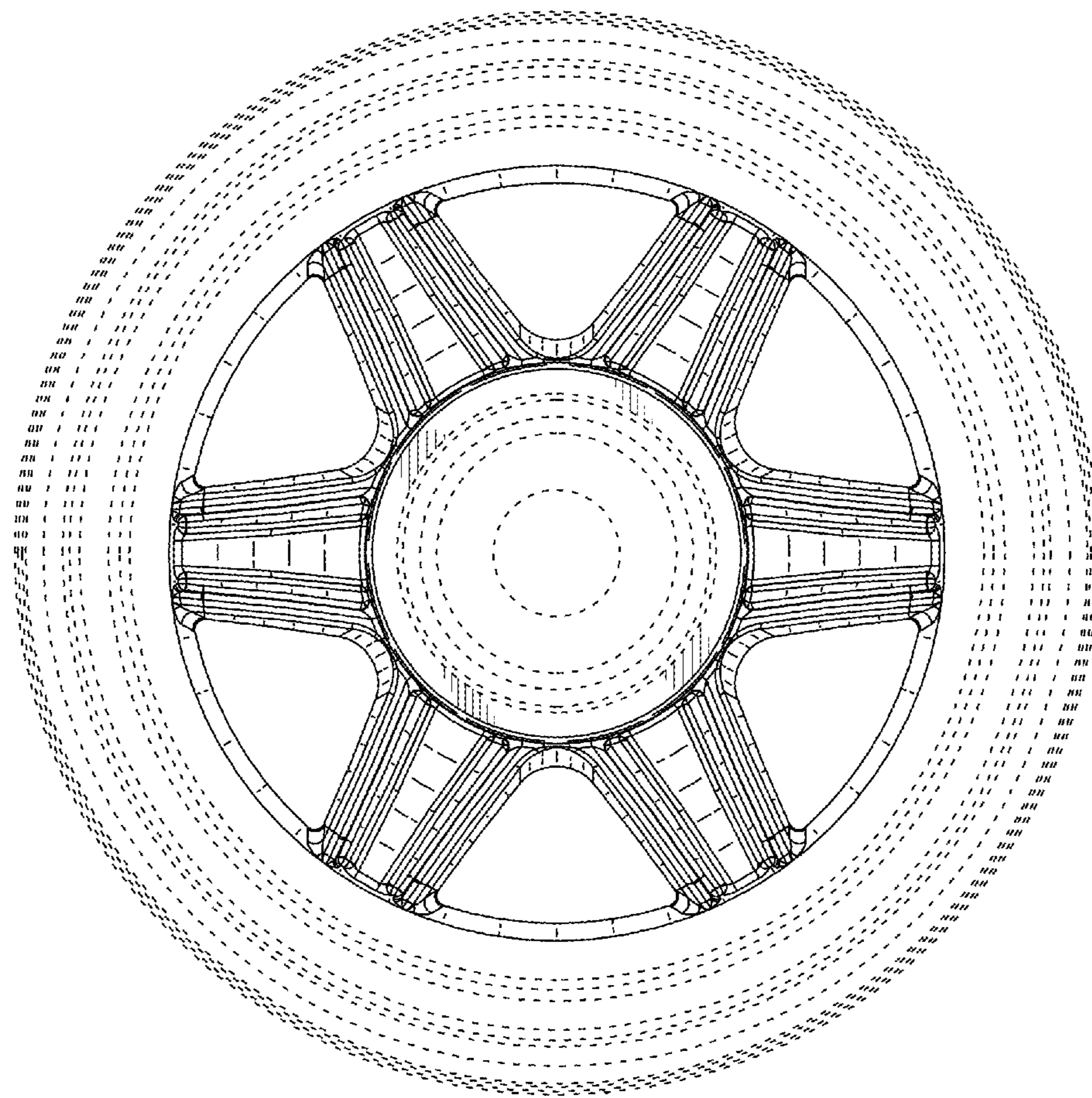


FIG. 2

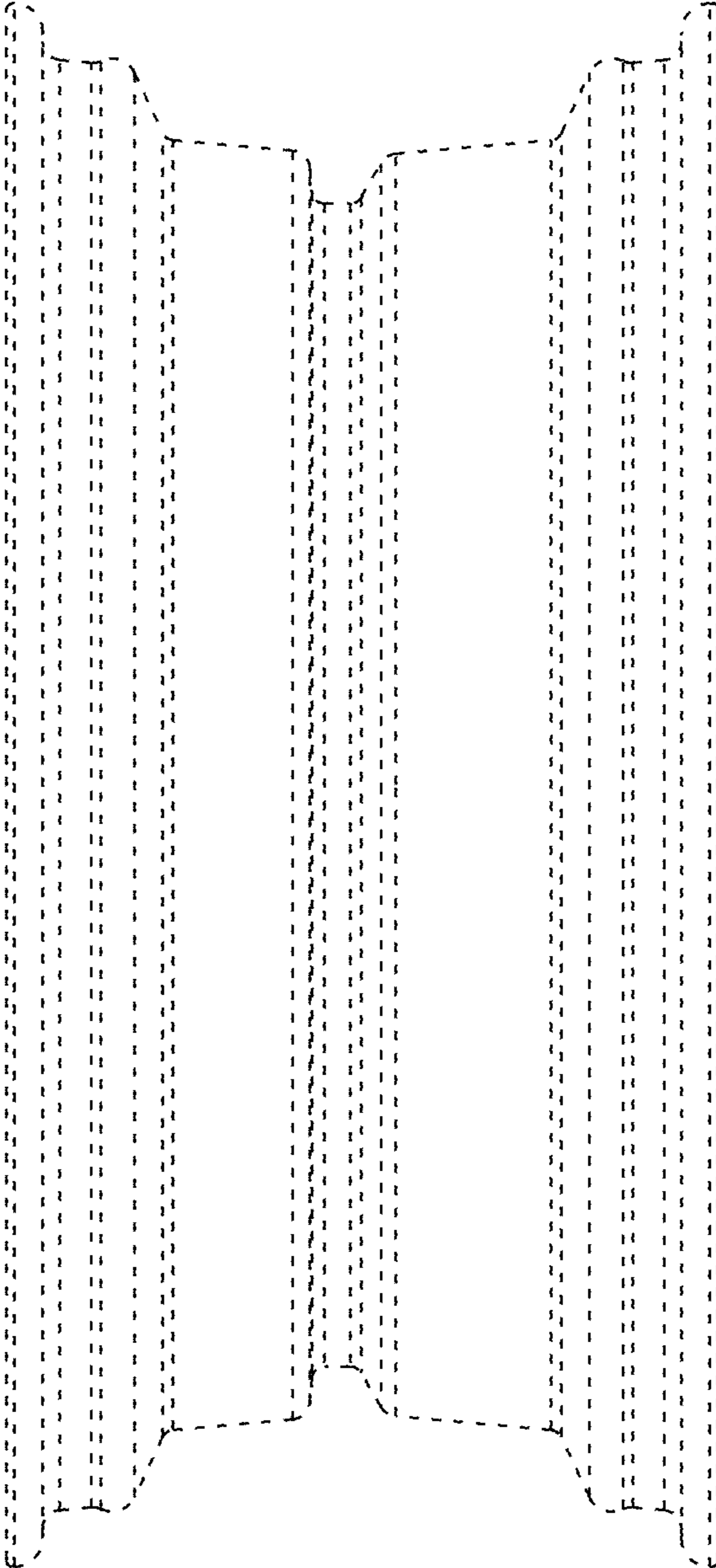


FIG. 3

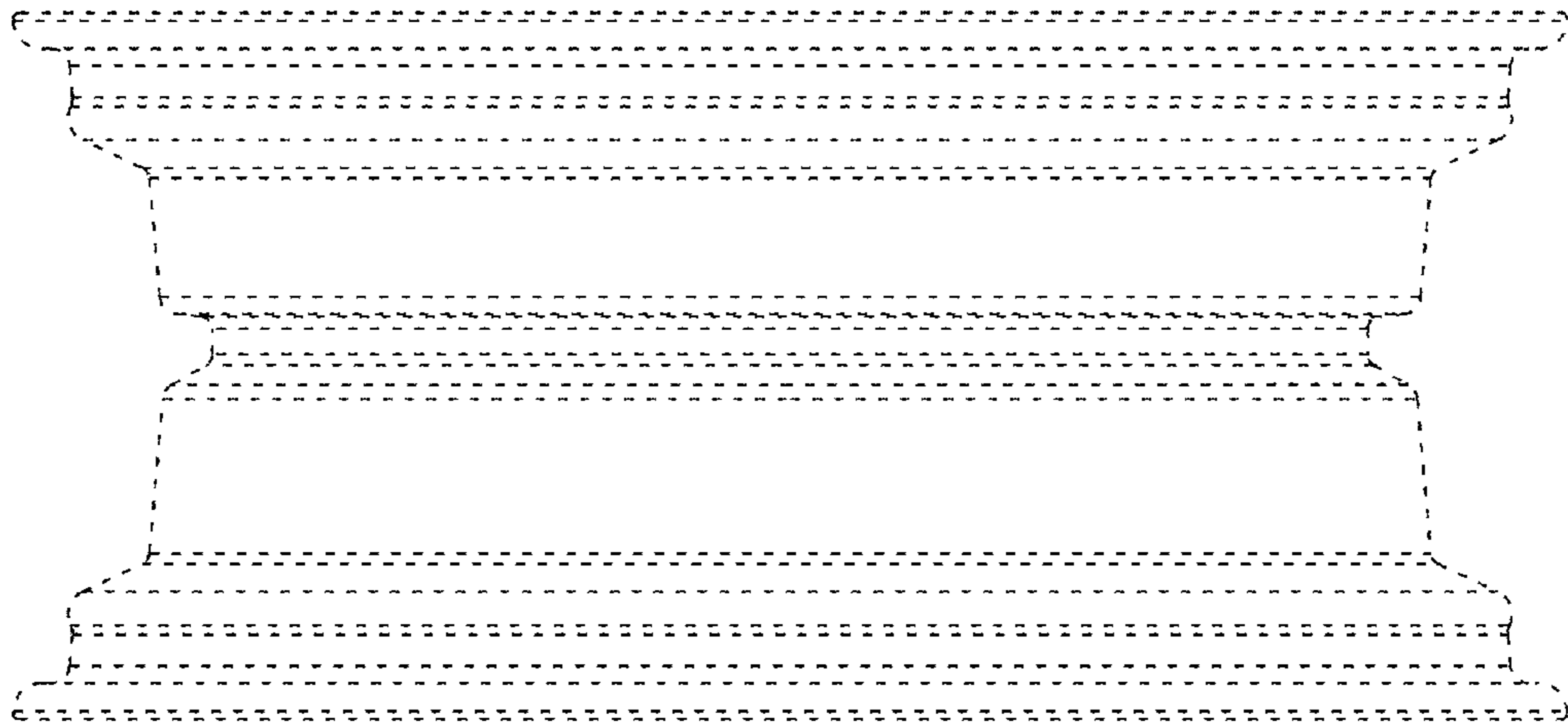


FIG. 4

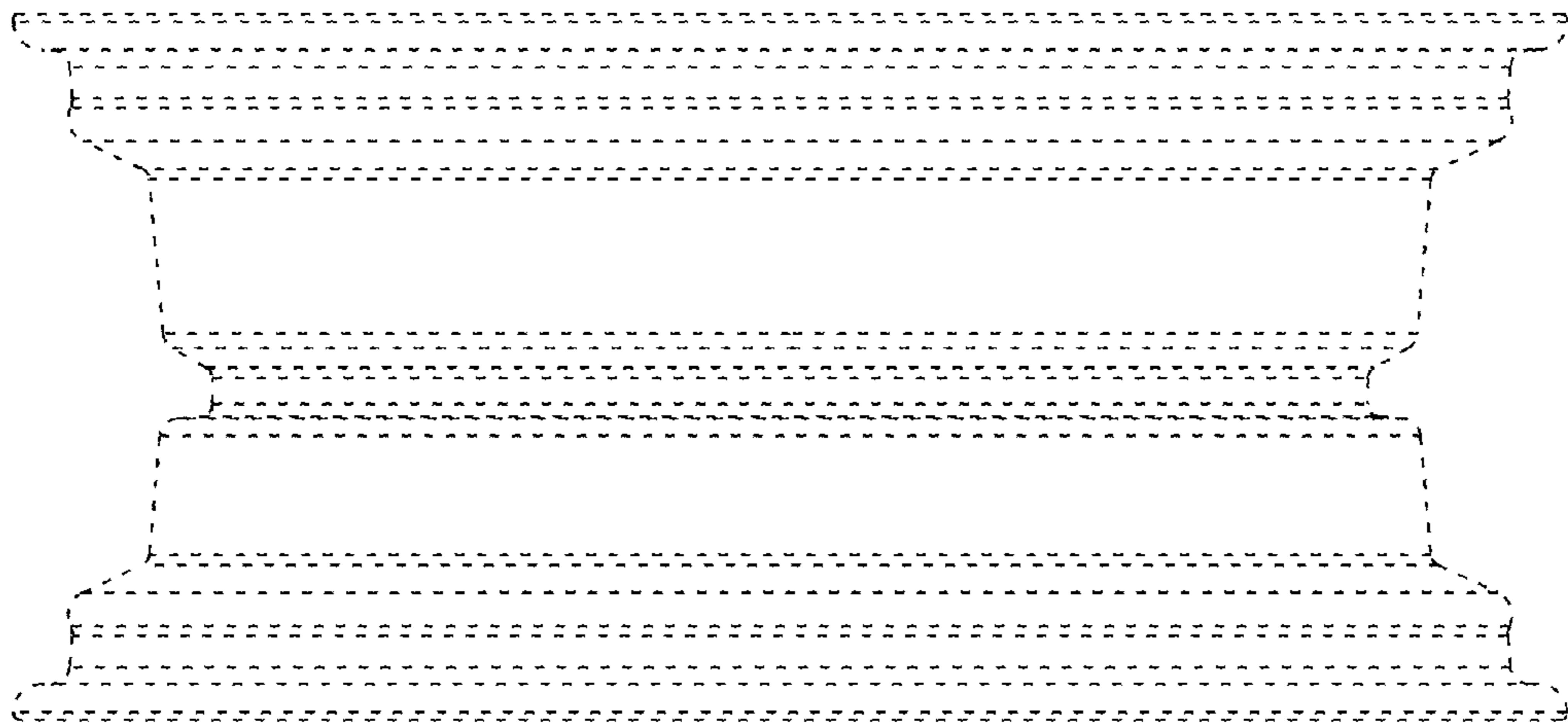


FIG. 5

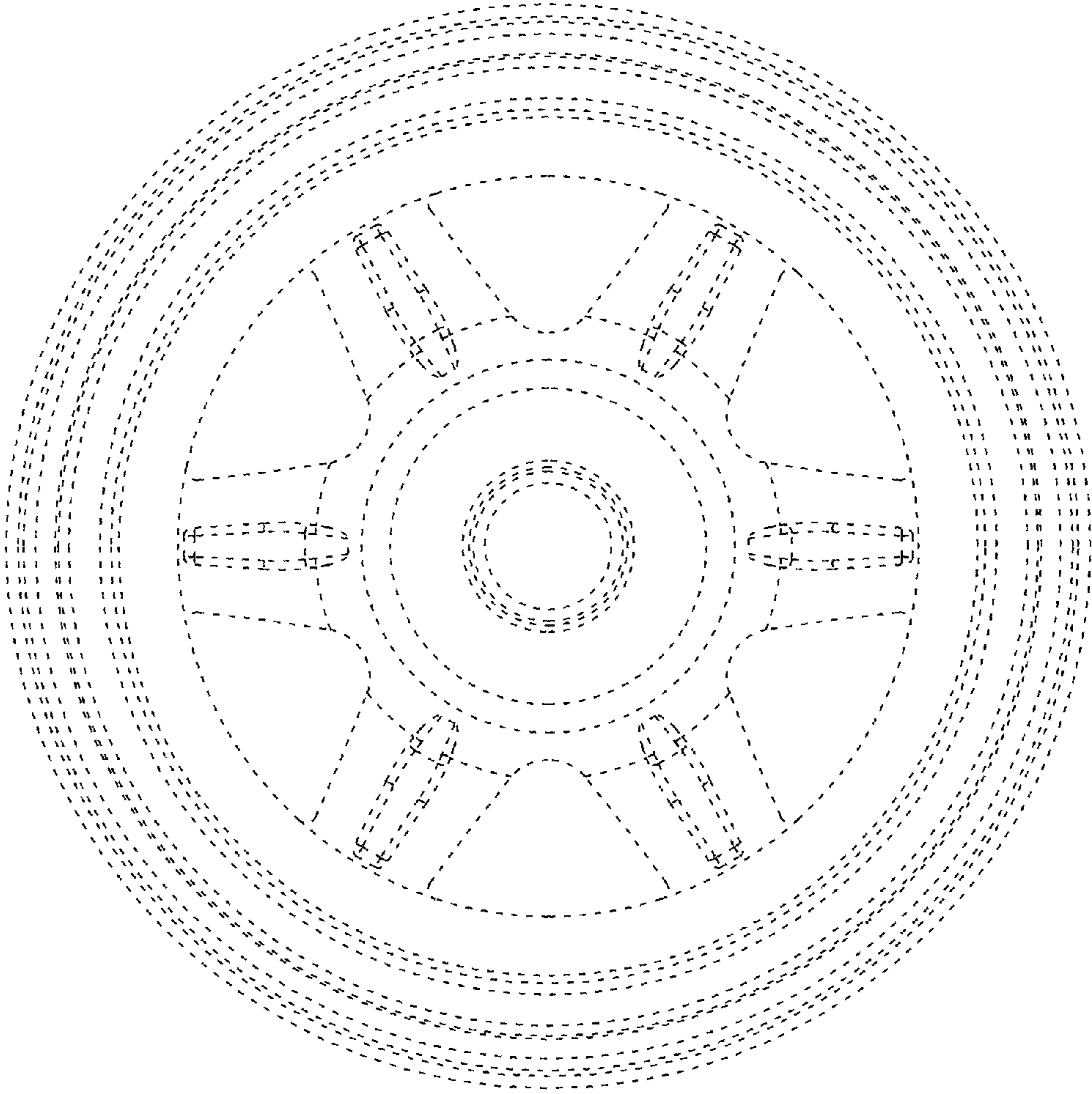


FIG. 6

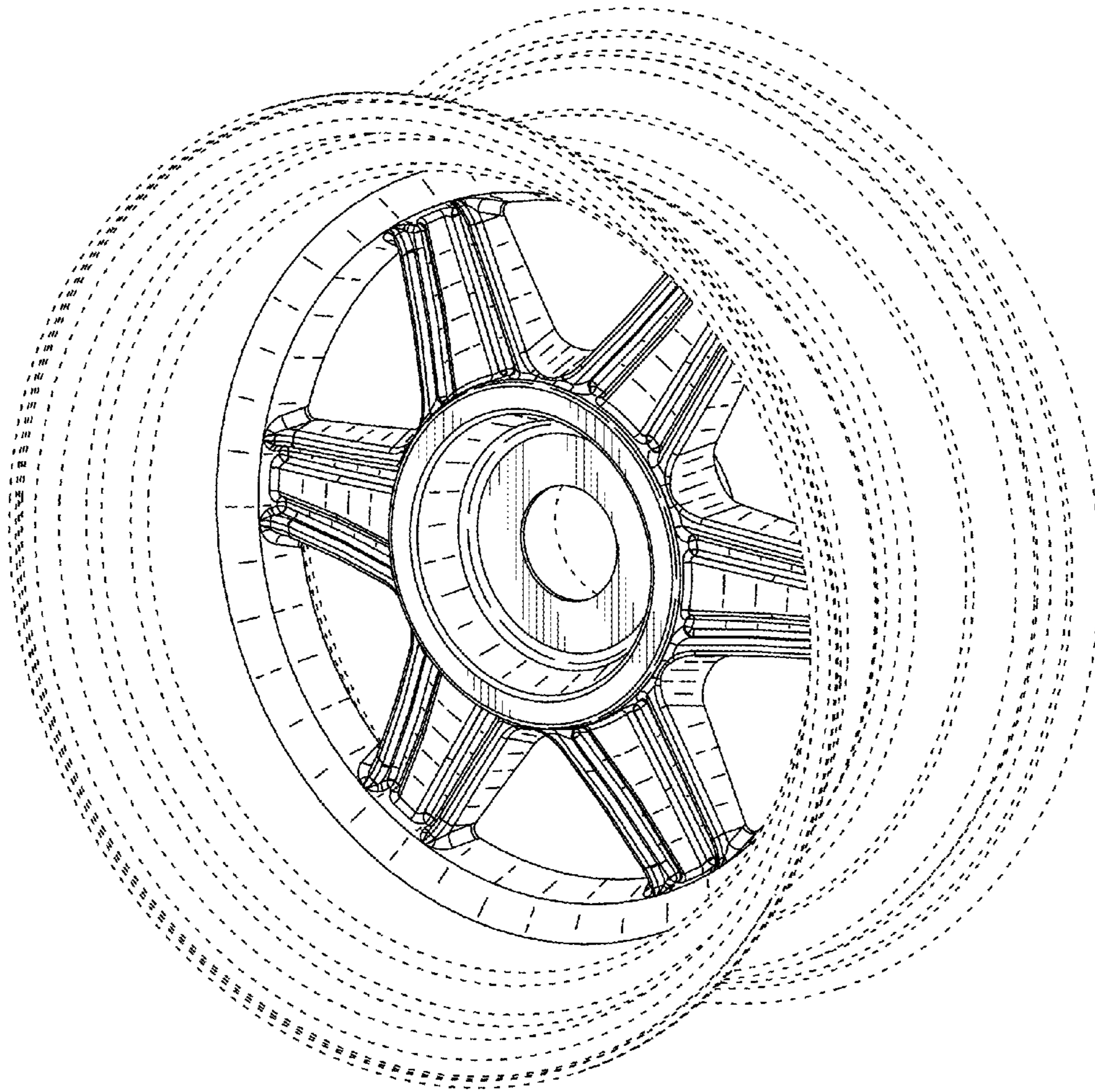


FIG. 7

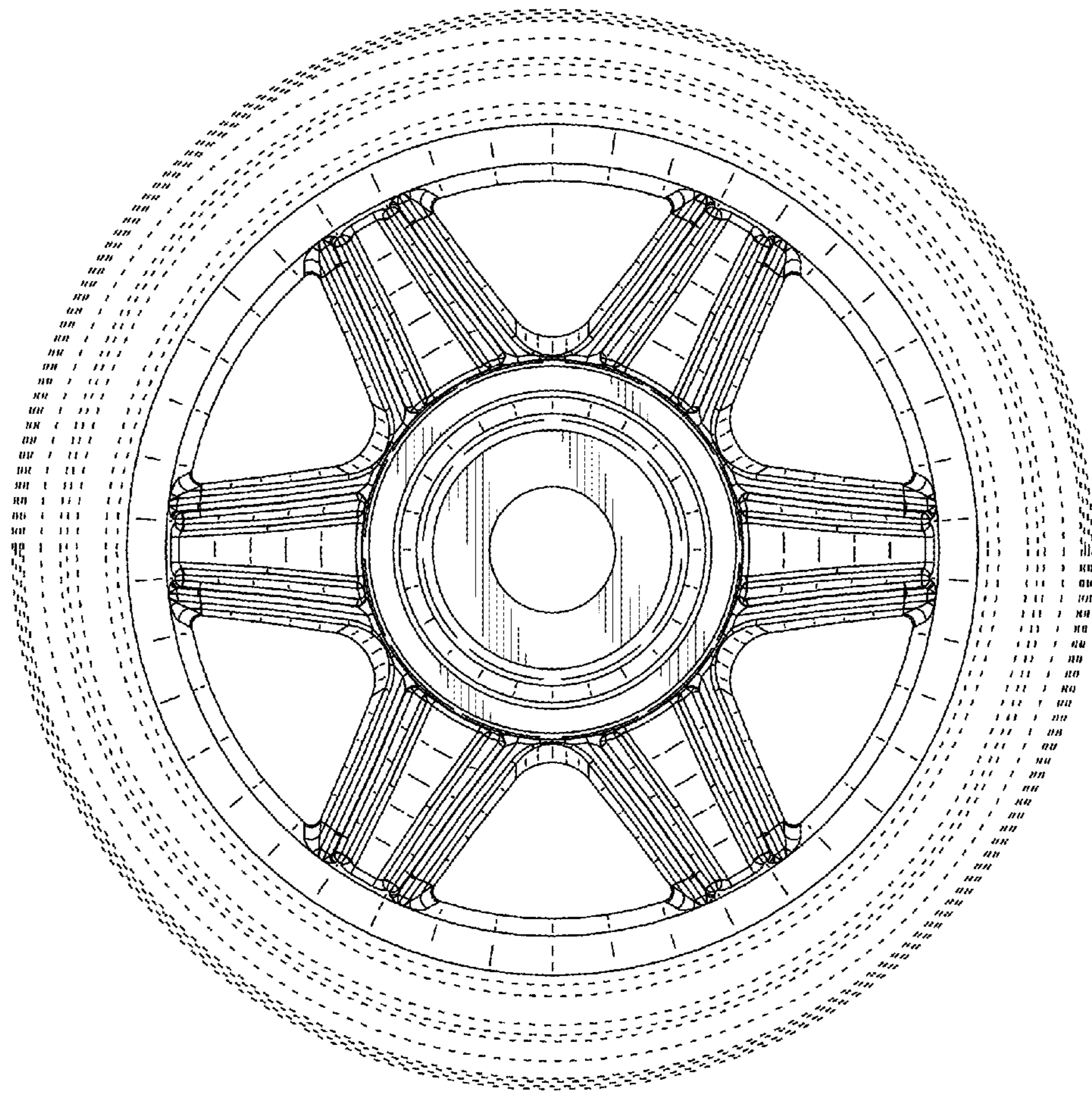


FIG. 8



FIG. 9

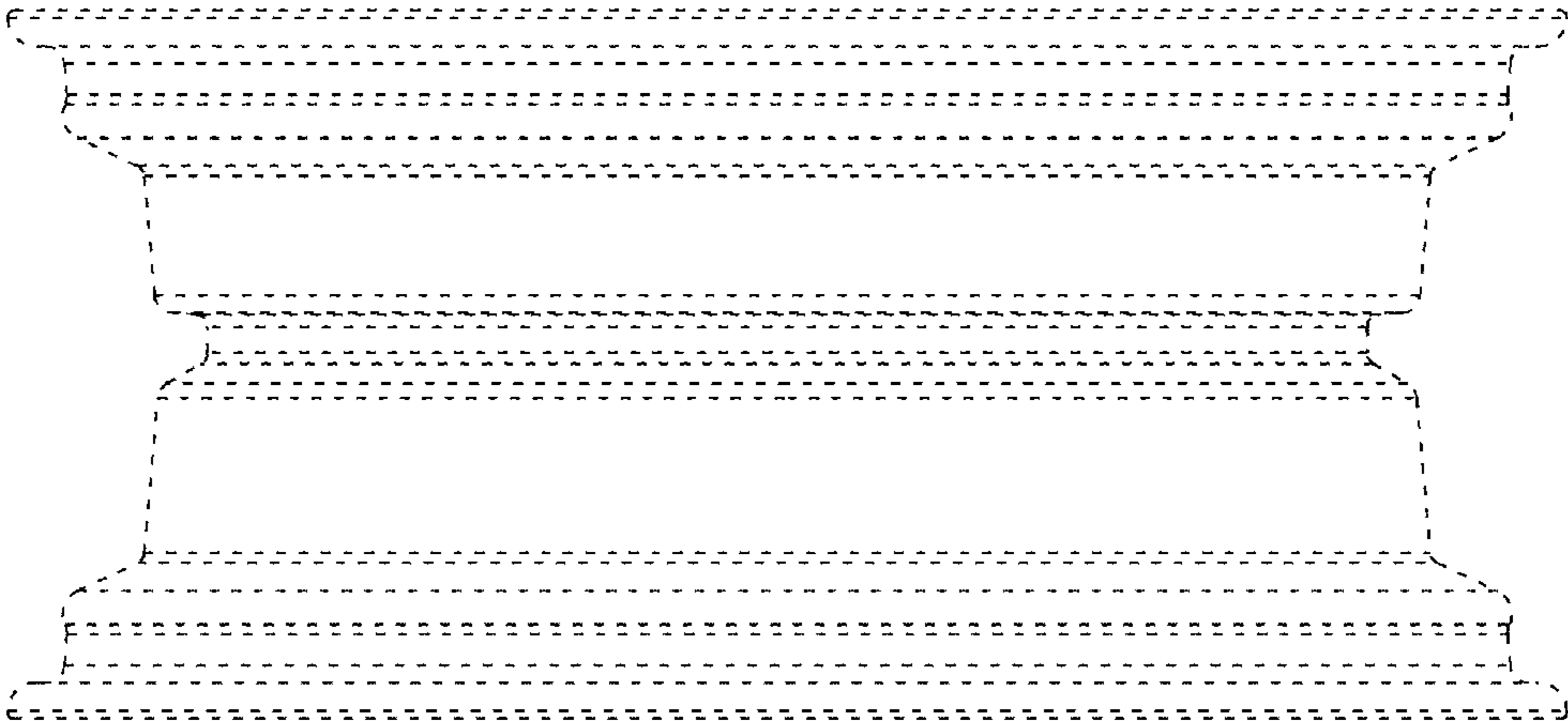


FIG. 10

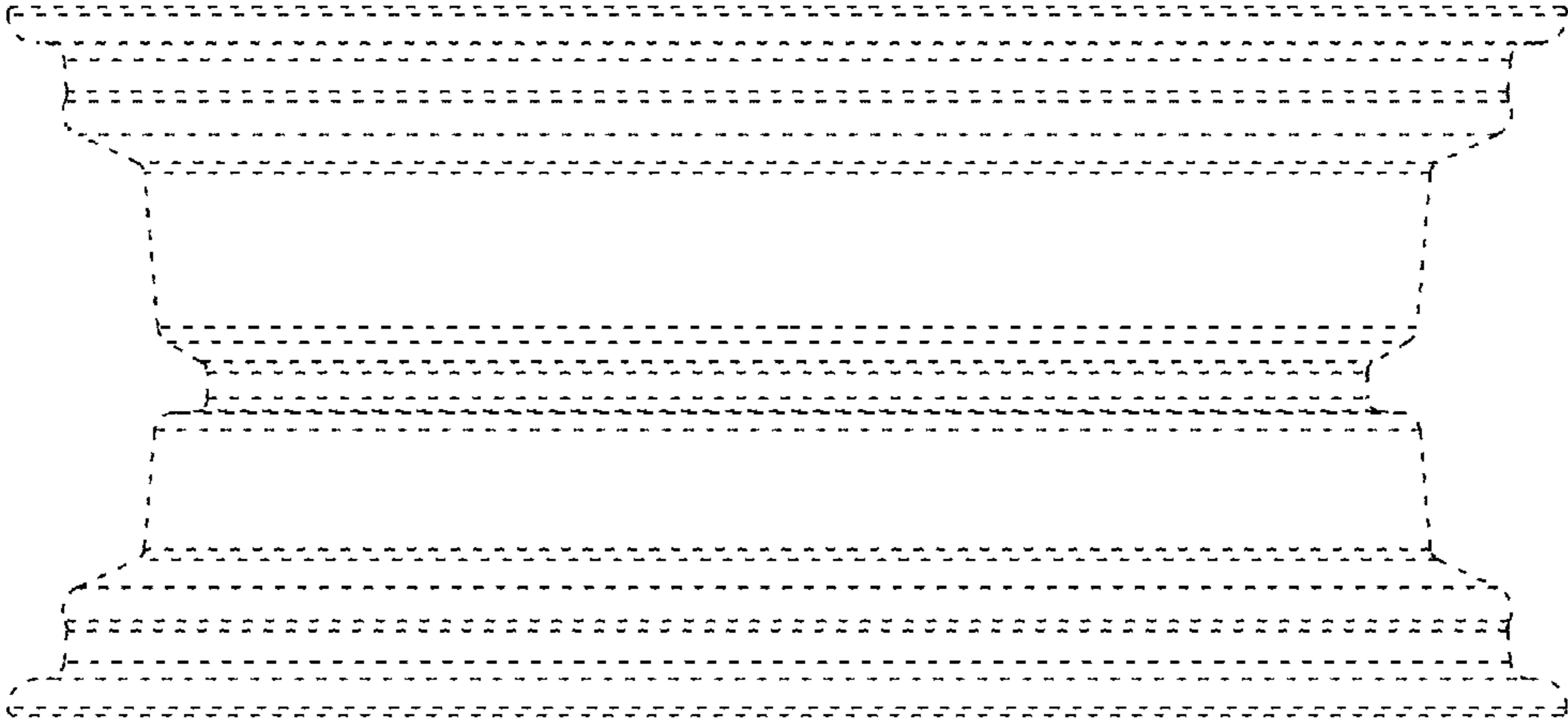


FIG. 11

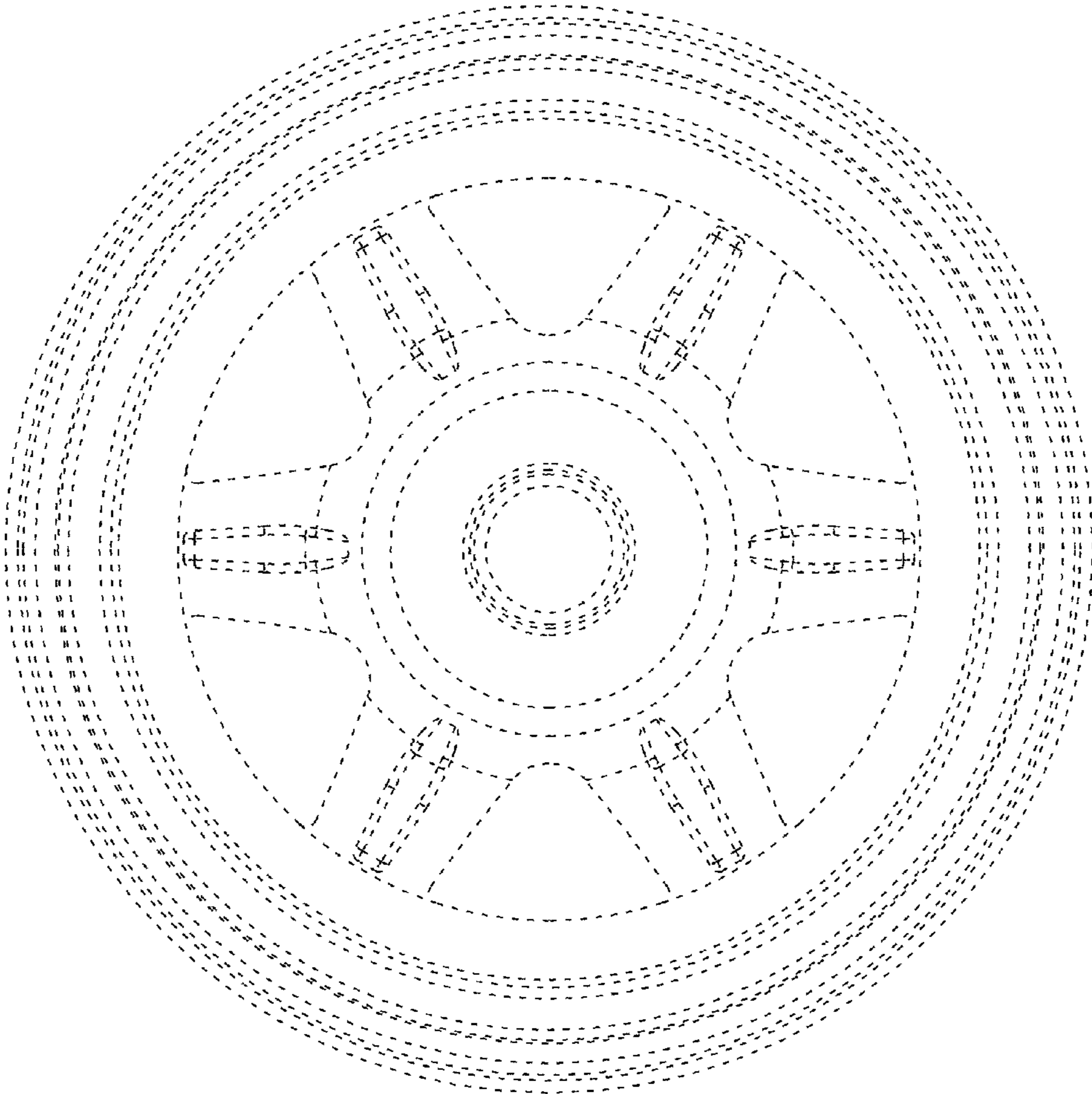


FIG. 12