



US00D723991S

(12) **United States Design Patent**
Lemke

(10) **Patent No.:** **US D723,991 S**
(45) **Date of Patent:** **** Mar. 10, 2015**

(54) **VEHICLE WHEEL RIM**

(71) Applicant: **Audi AG**, Ingolstadt (DE)

(72) Inventor: **Peter Lemke**, Pfaffenhofen an der Ilm (DE)

(73) Assignee: **Audi AG**, Ingolstadt (DE)

(**) Term: **14 Years**

(21) Appl. No.: **29/501,463**

(22) Filed: **Sep. 4, 2014**

(30) **Foreign Application Priority Data**

Mar. 6, 2014 (EM) 002 418 772

(51) **LOC (10) Cl.** **12-16**

(52) **U.S. Cl.**
USPC **D12/209**

(58) **Field of Classification Search**
CPC B60B 7/00; B60B 7/02; B60B 7/04;
B60B 7/01; B60B 7/06; B60B 3/02; B60B
3/04; B60B 3/06; B60B 3/10; B60B 1/00;
B60B 1/08; B60B 1/10; B60B 1/12
USPC D12/204-213
See application file for complete search history.

(56) **References Cited**

U.S. PATENT DOCUMENTS

D403,288 S *	12/1998	Cullen	D12/209
D436,339 S *	1/2001	Fitzgerald	D12/209
D448,714 S *	10/2001	Pusdesris et al.	D12/211
D451,464 S *	12/2001	Bernoni	D12/209
D455,700 S *	4/2002	Foose	D12/209
D458,205 S *	6/2002	McCowin	D12/209
D471,501 S *	3/2003	McMath	D12/209
D499,059 S *	11/2004	Cahyono	D12/209
D500,276 S *	12/2004	Cheng	D12/209
D501,174 S *	1/2005	Kataoka	D12/209
D553,549 S *	10/2007	Martin	D12/209
D569,320 S *	5/2008	Cortes	D12/209
D576,936 S *	9/2008	Imai	D12/209
D613,228 S *	4/2010	Juergens et al.	D12/209
D613,656 S *	4/2010	Antoniadis et al.	D12/209
D686,129 S *	7/2013	Juergens et al.	D12/209
D708,108 S *	7/2014	Wheel	D12/209

* cited by examiner

Primary Examiner — Stacia Cadmus

(74) *Attorney, Agent, or Firm* — Lucas & Mercanti, LLP; Klaus P. Stoffel

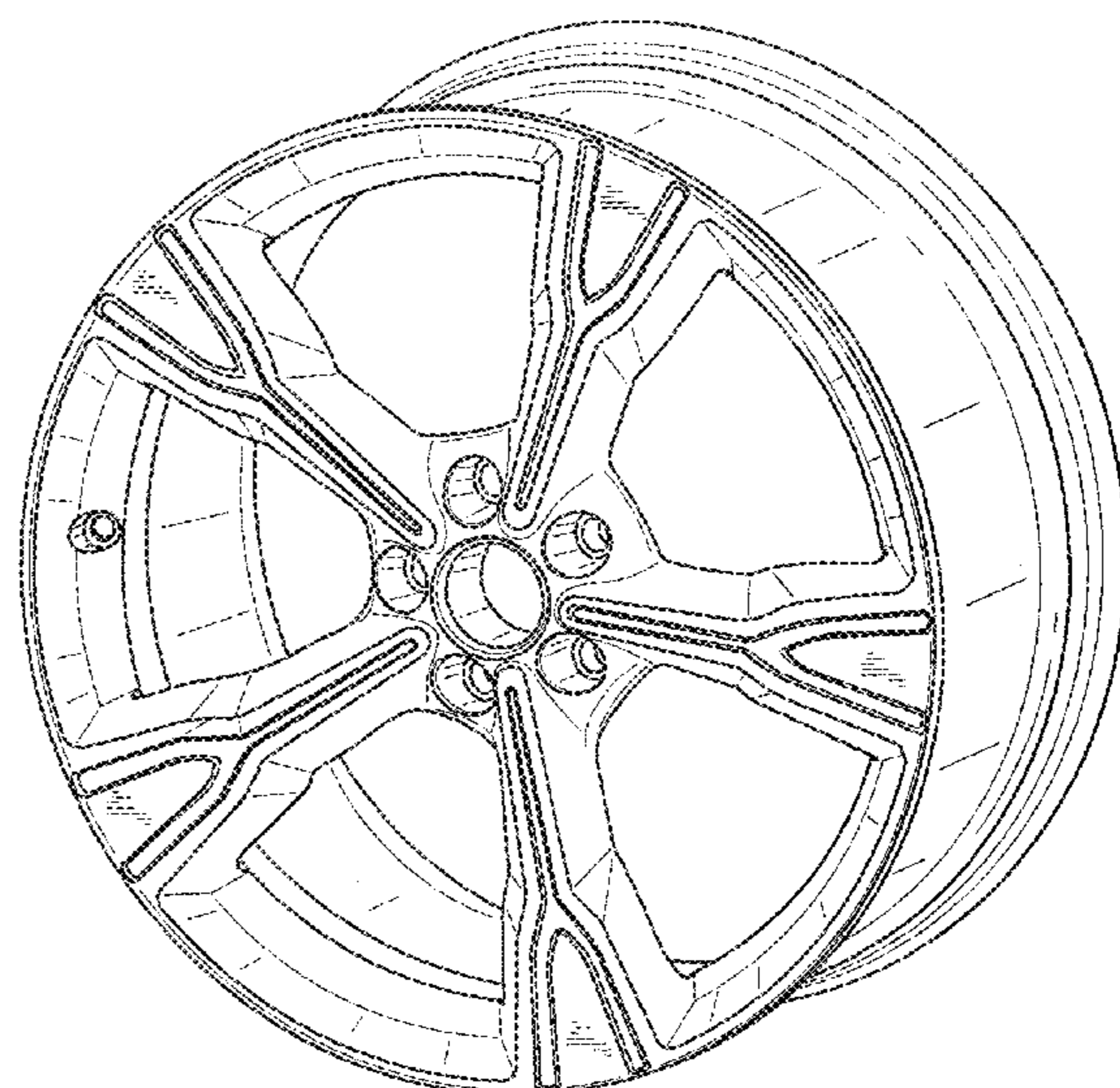
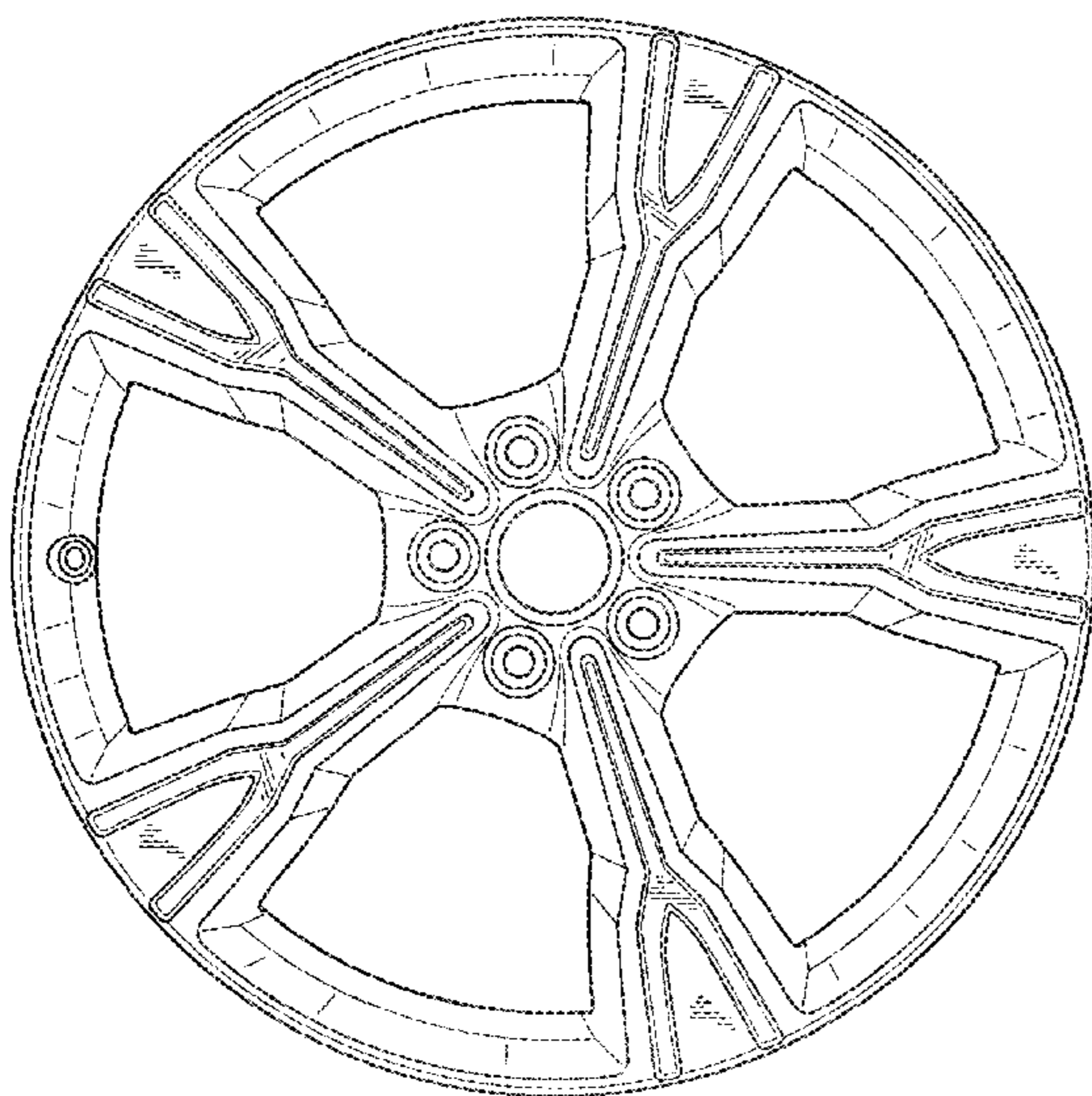
(57) **CLAIM**

The ornamental design for a vehicle wheel rim, as shown and described.

DESCRIPTION

FIG. 1 is a front view of the vehicle wheel rim of the present invention; and, FIG. 2 is a front, side perspective view thereof.

1 Claim, 2 Drawing Sheets



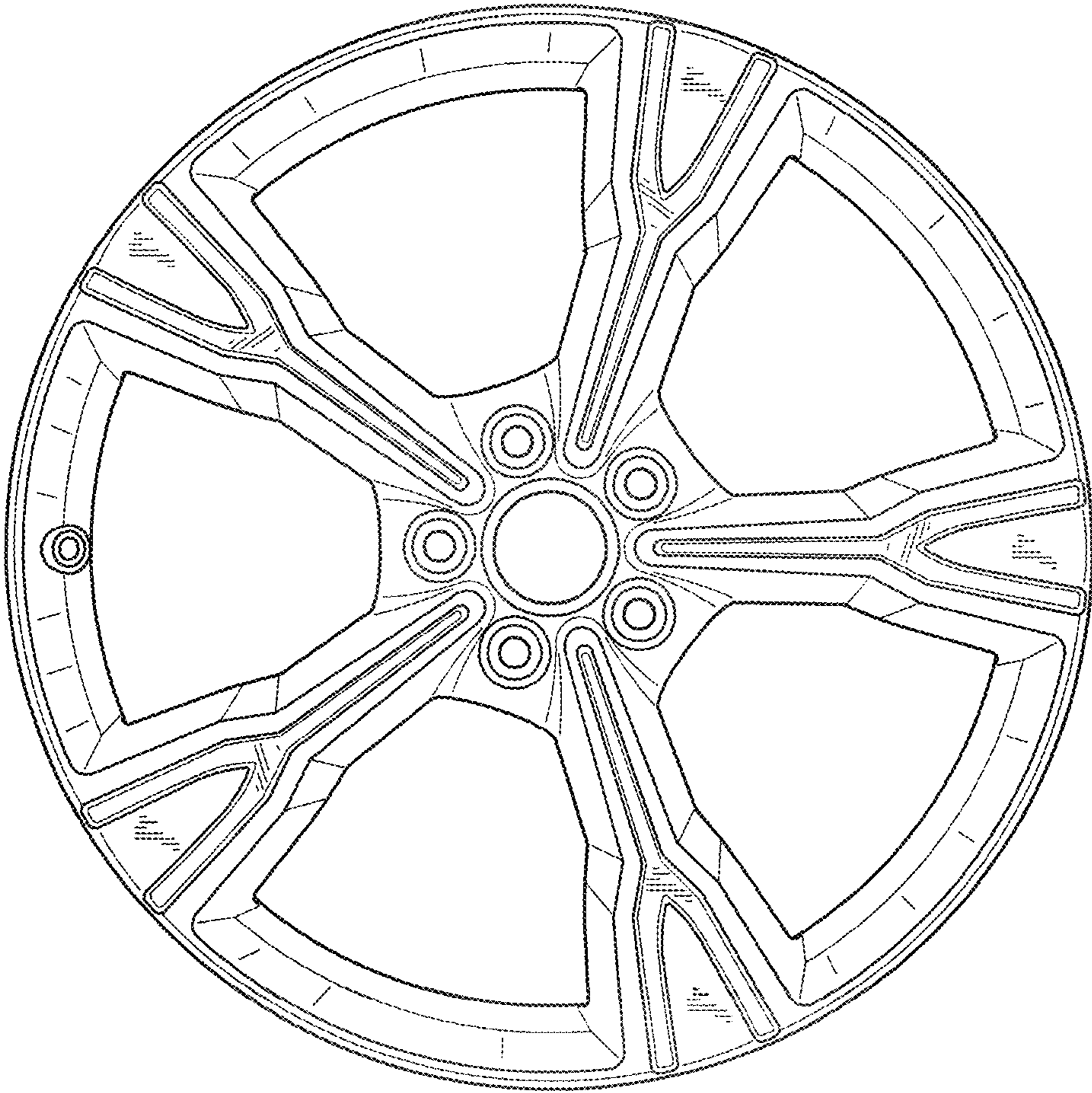


FIG. 1

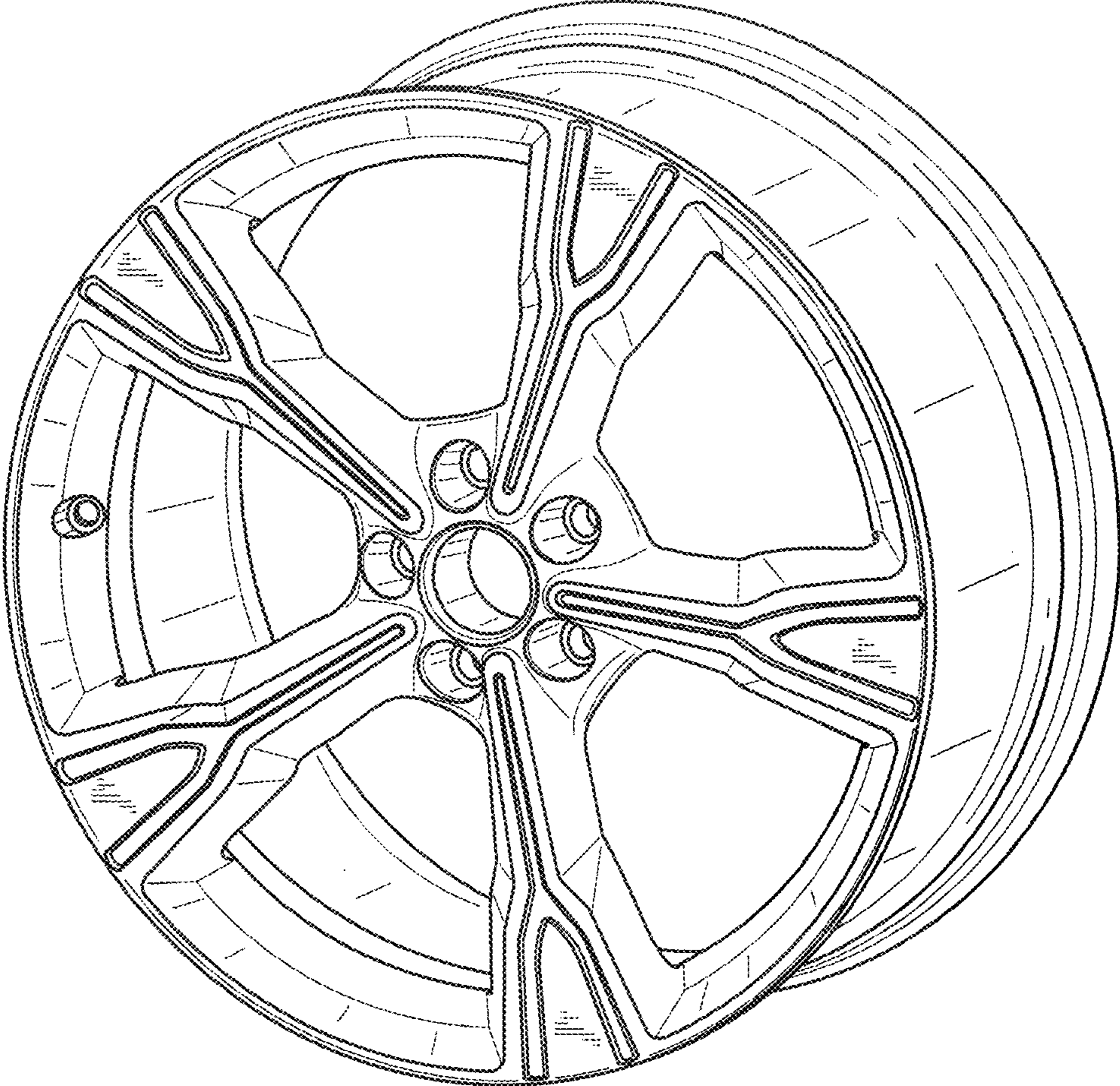


FIG. 2