



US00D723990S

(12) **United States Design Patent**
Muntada Roura

(10) **Patent No.:** **US D723,990 S**
(45) **Date of Patent:** **** Mar. 10, 2015**

(54) **VEHICLE WHEEL RIM**

(56) **References Cited**

(71) Applicant: **Audi AG**, Ingolstadt (DE)
(72) Inventor: **Cesar Muntada Roura**, Pfaffenhofen an der Ilm (DE)
(73) Assignee: **Audi AG**, Ingolstadt (DE)
(**) Term: **14 Years**
(21) Appl. No.: **29/499,928**
(22) Filed: **Aug. 20, 2014**

U.S. PATENT DOCUMENTS

D405,409	S	*	2/1999	Baumgartner	D12/211
D406,092	S	*	2/1999	Baumgartner	D12/211
D416,849	S	*	11/1999	Weidhase	D12/211
D438,163	S	*	2/2001	Langerer	D12/211
D472,865	S	*	4/2003	Wechner	D12/211
D535,603	S	*	1/2007	Guevara	D12/209
D572,186	S	*	7/2008	Viandante	D12/211
D576,094	S	*	9/2008	Bernoni	D12/211
D597,015	S	*	7/2009	Juergens et al.	D12/211
D638,339	S	*	5/2011	Tirado	D12/209
D638,340	S	*	5/2011	Park	D12/209
D660,769	S	*	5/2012	Pollmann	D12/211
D661,239	S	*	6/2012	Pollmann et al.	D12/209
D671,481	S	*	11/2012	Amezqueta	D12/211
D673,493	S	*	1/2013	Lemke	D12/209
D684,517	S	*	6/2013	Scheinhutte	D12/211
D713,773	S	*	9/2014	Scheinhutte	D12/209

* cited by examiner

(30) **Foreign Application Priority Data**

Feb. 20, 2014 (EM) 002 408 328-0002

(51) **LOC (10) Cl.** **12-16**

(52) **U.S. Cl.**
USPC **D12/209**

(58) **Field of Classification Search**
CPC B60B 7/00; B60B 7/02; B60B 7/04;
B60B 7/01; B60B 7/06; B60B 3/02; B60B
3/04; B60B 3/06; B60B 3/10; B60B 1/00;
B60B 1/08; B60B 1/10; B60B 1/12
USPC D12/204-213
See application file for complete search history.

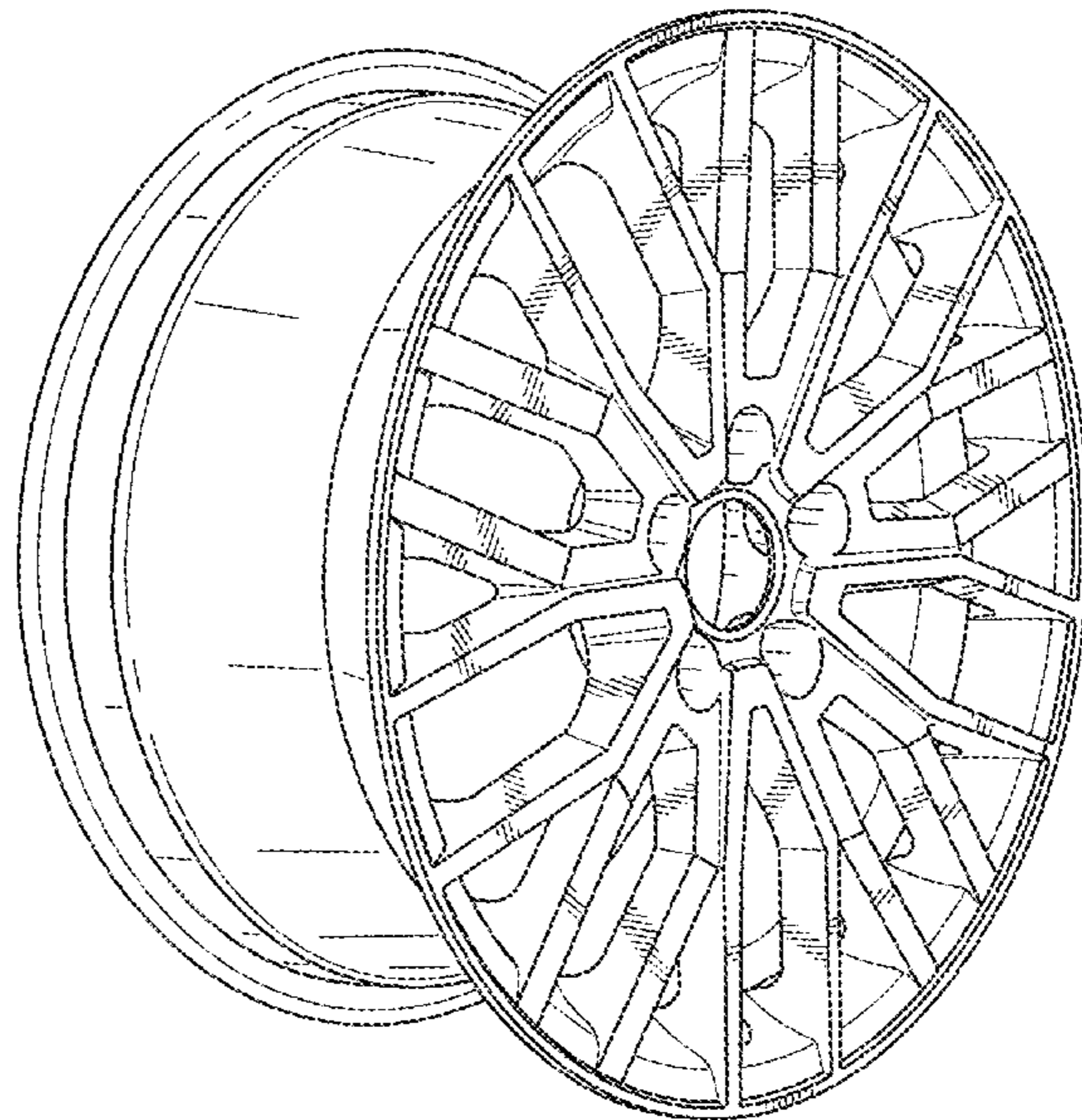
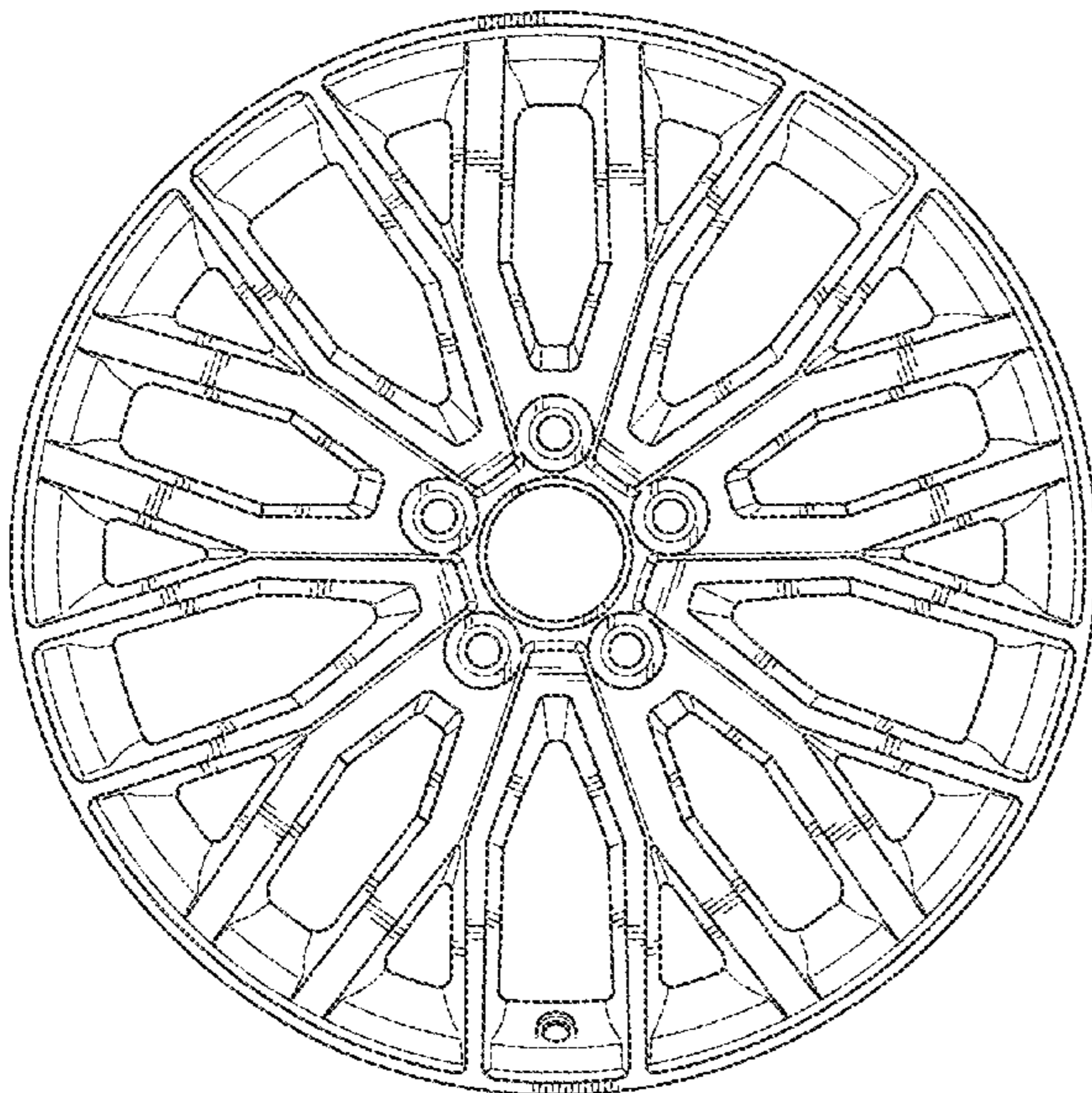
Primary Examiner — Stacia Cadmus
(74) *Attorney, Agent, or Firm* — Lucas & Mercanti, LLP;
Klaus P. Stoffel

(57) **CLAIM**
The ornamental design for a vehicle wheel rim, as shown and described.

DESCRIPTION

FIG. 1 is a front view of the vehicle wheel rim of the present invention; and, FIG. 2 is a front, side perspective view thereof.

1 Claim, 2 Drawing Sheets



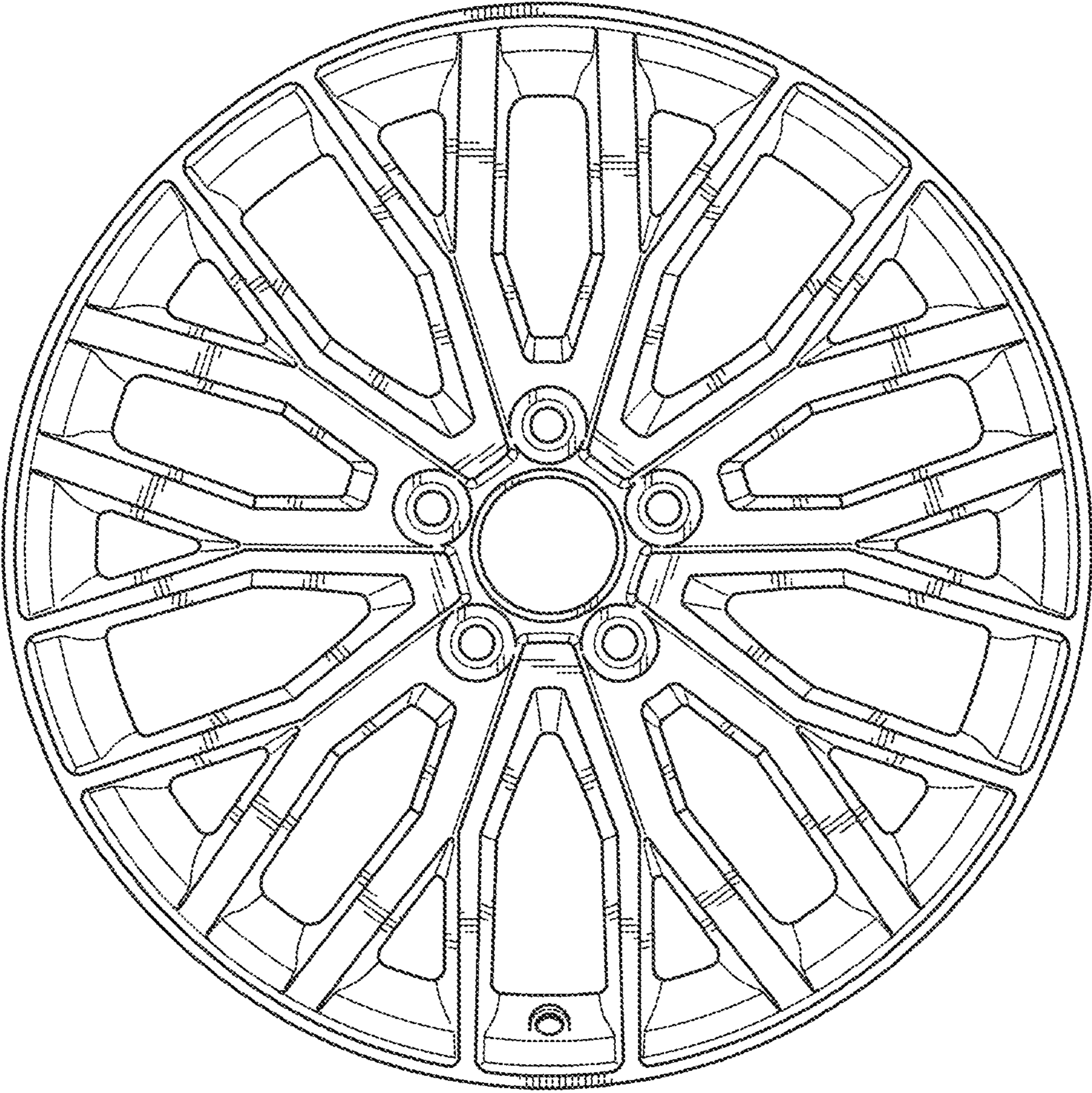


FIG. 1

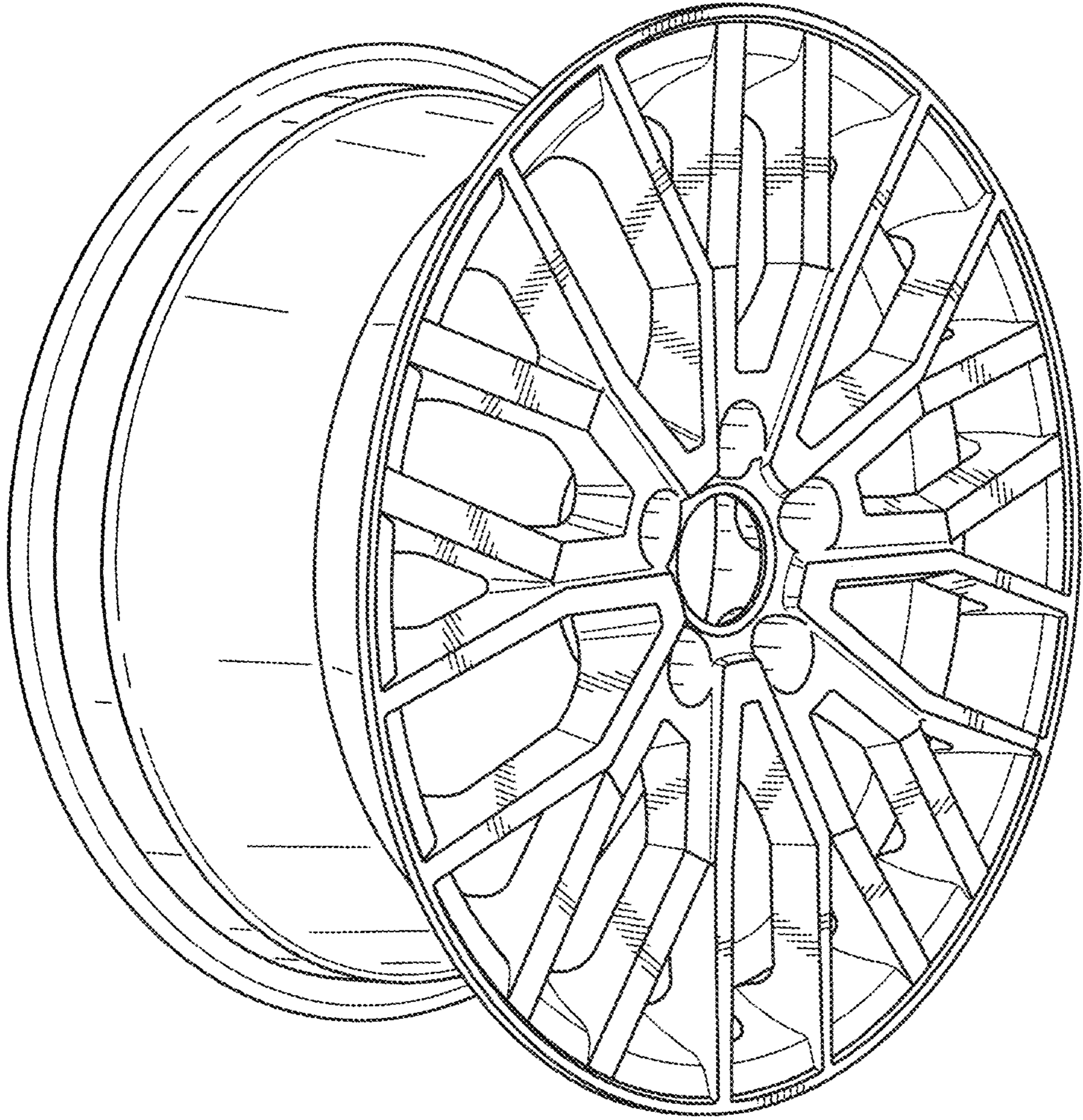


FIG. 2