



US00D723988S

(12) **United States Design Patent**
Kito

(10) **Patent No.:** **US D723,988 S**
(45) **Date of Patent:** **** Mar. 10, 2015**

(54) **WHEEL FOR AN AUTOMOBILE**
(71) Applicant: **Honda Motor Co., Ltd.**, Tokyo (JP)
(72) Inventor: **Yuuri Kito**, Wako (JP)
(73) Assignee: **Honda Motor Co., Ltd.**, Tokyo (JP)
(**) Term: **14 Years**

(21) Appl. No.: **29/437,730**
(22) Filed: **Nov. 20, 2012**

(30) **Foreign Application Priority Data**
May 25, 2012 (JP) 2012-012396

(51) **LOC (10) Cl.** **12-16**
(52) **U.S. Cl.**
USPC **D12/209**

(58) **Field of Classification Search**
CPC B60B 7/00; B60B 7/02; B60B 7/04;
B60B 7/01; B60B 7/06; B60B 3/02; B60B
3/04; B60B 3/06; B60B 3/10; B60B 1/00;
B60B 1/08; B60B 1/10; B60B 1/12
USPC D12/204–213
See application file for complete search history.

(56) **References Cited**
U.S. PATENT DOCUMENTS
D503,668 S * 4/2005 Boyer D12/209

D517,968 S * 3/2006 Morioka D12/209
D530,253 S * 10/2006 Coutts D12/209
D538,216 S * 3/2007 Sycha D12/209
D540,240 S * 4/2007 Kountouras D12/211
D590,319 S * 4/2009 Juergens et al. D12/211
D594,802 S * 6/2009 Gustafsson D12/211
D635,904 S * 4/2011 Futschik et al. D12/209
D641,679 S * 7/2011 Vardis D12/211
D650,315 S * 12/2011 Juergens et al. D12/211
D672,700 S * 12/2012 Kuninari et al. D12/209
D682,178 S * 5/2013 Nakano D12/209

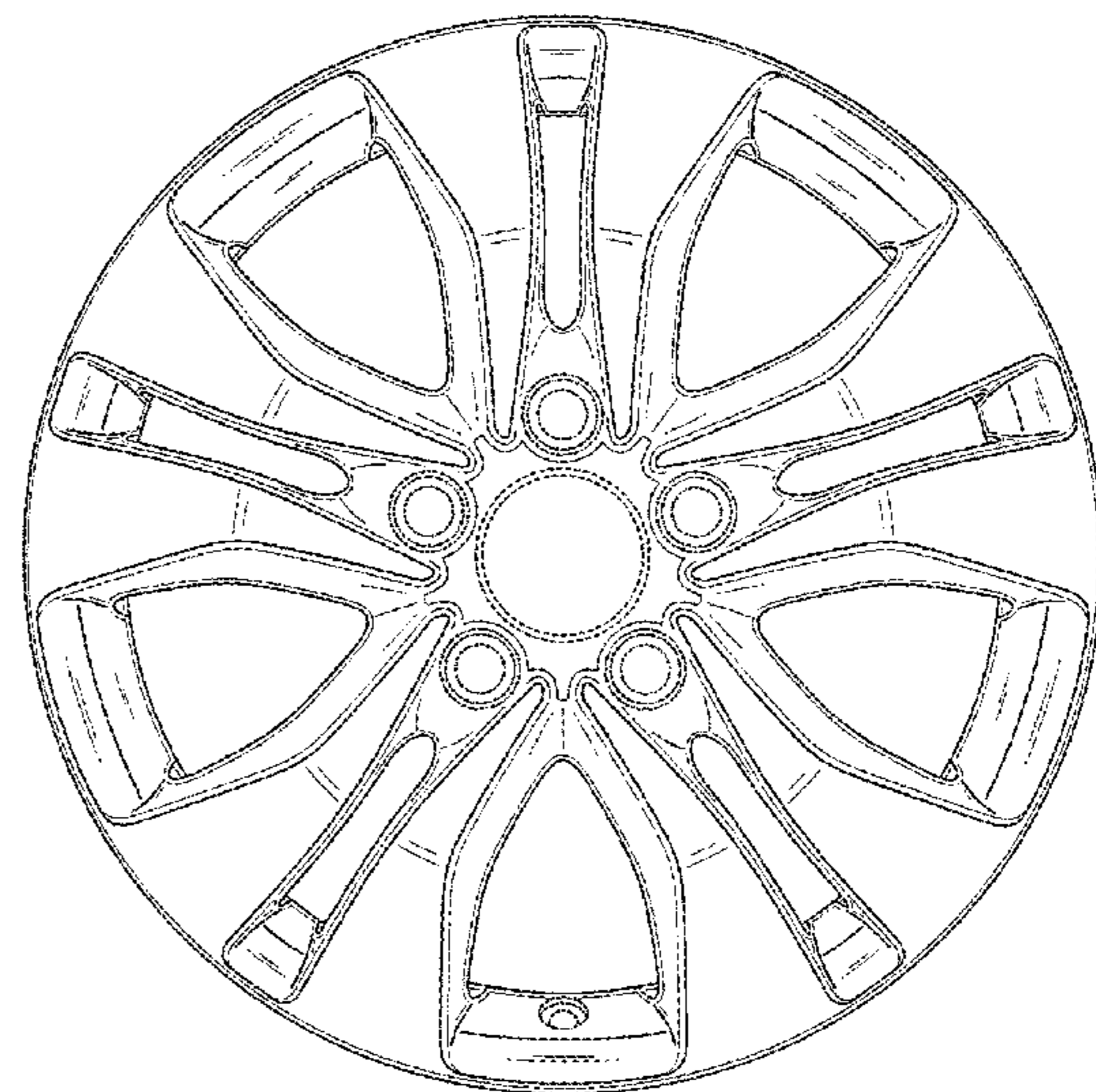
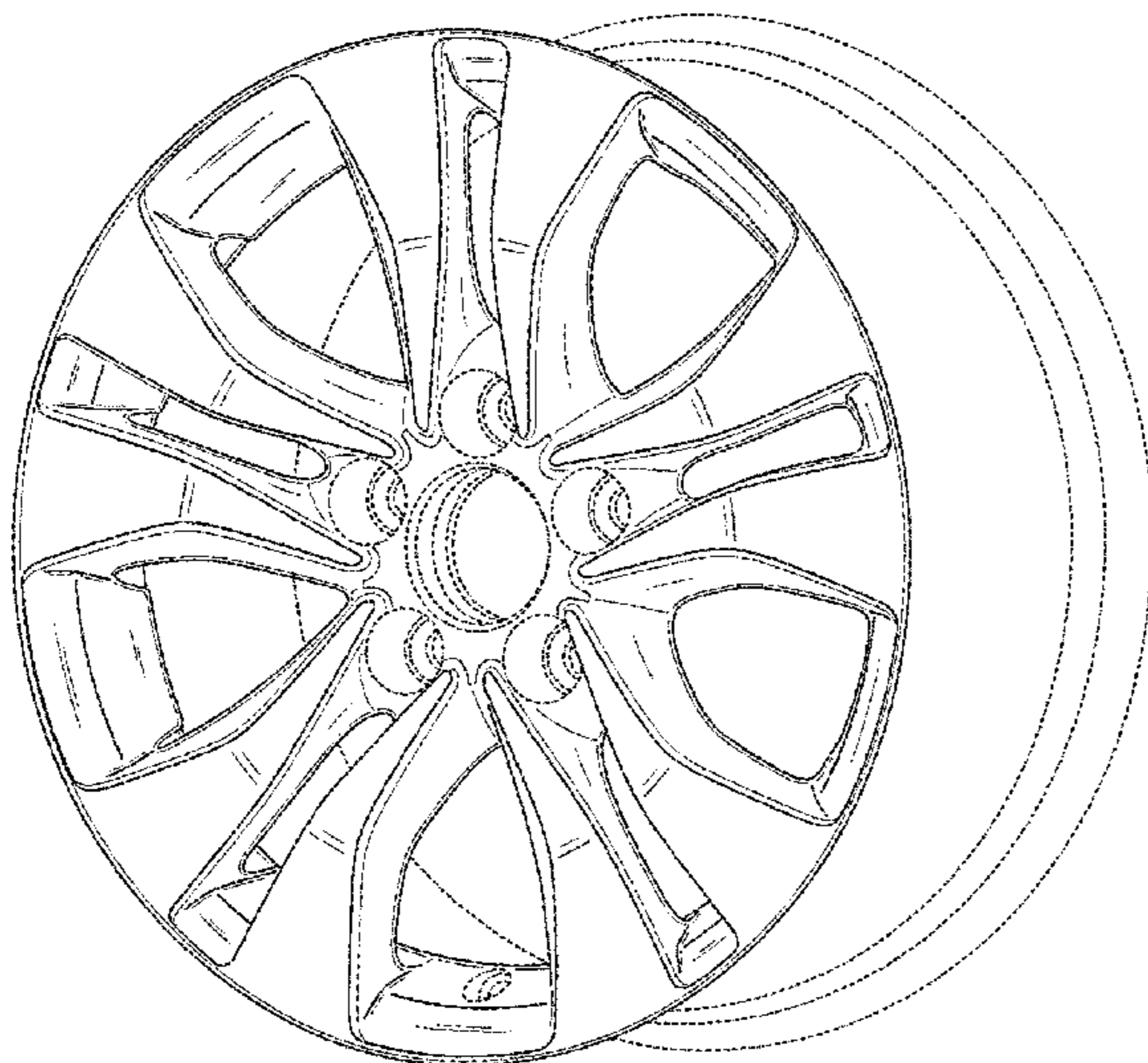
* cited by examiner

Primary Examiner — Stacia Cadmus
(74) *Attorney, Agent, or Firm* — Plumsea Law Group, LLC

(57) **CLAIM**
The ornamental design for a wheel for an automobile, as shown and described.

DESCRIPTION
FIG. 1 is a perspective view of a wheel for an automobile, showing our new design; and, FIG. 2 is a front elevation view thereof. The broken lines are for illustrative purposes only and form no part of the claimed design.

1 Claim, 2 Drawing Sheets



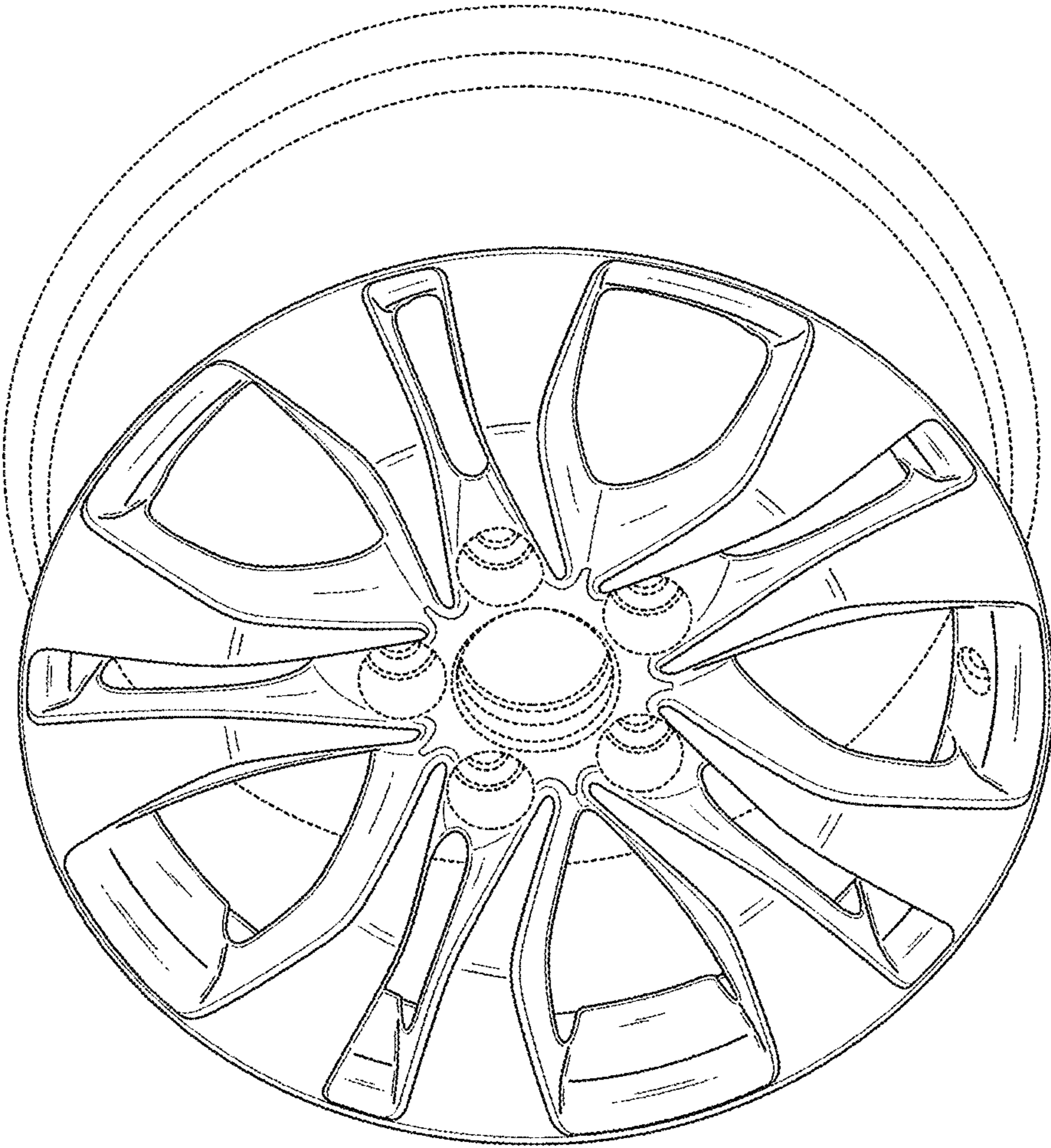


Fig. 1

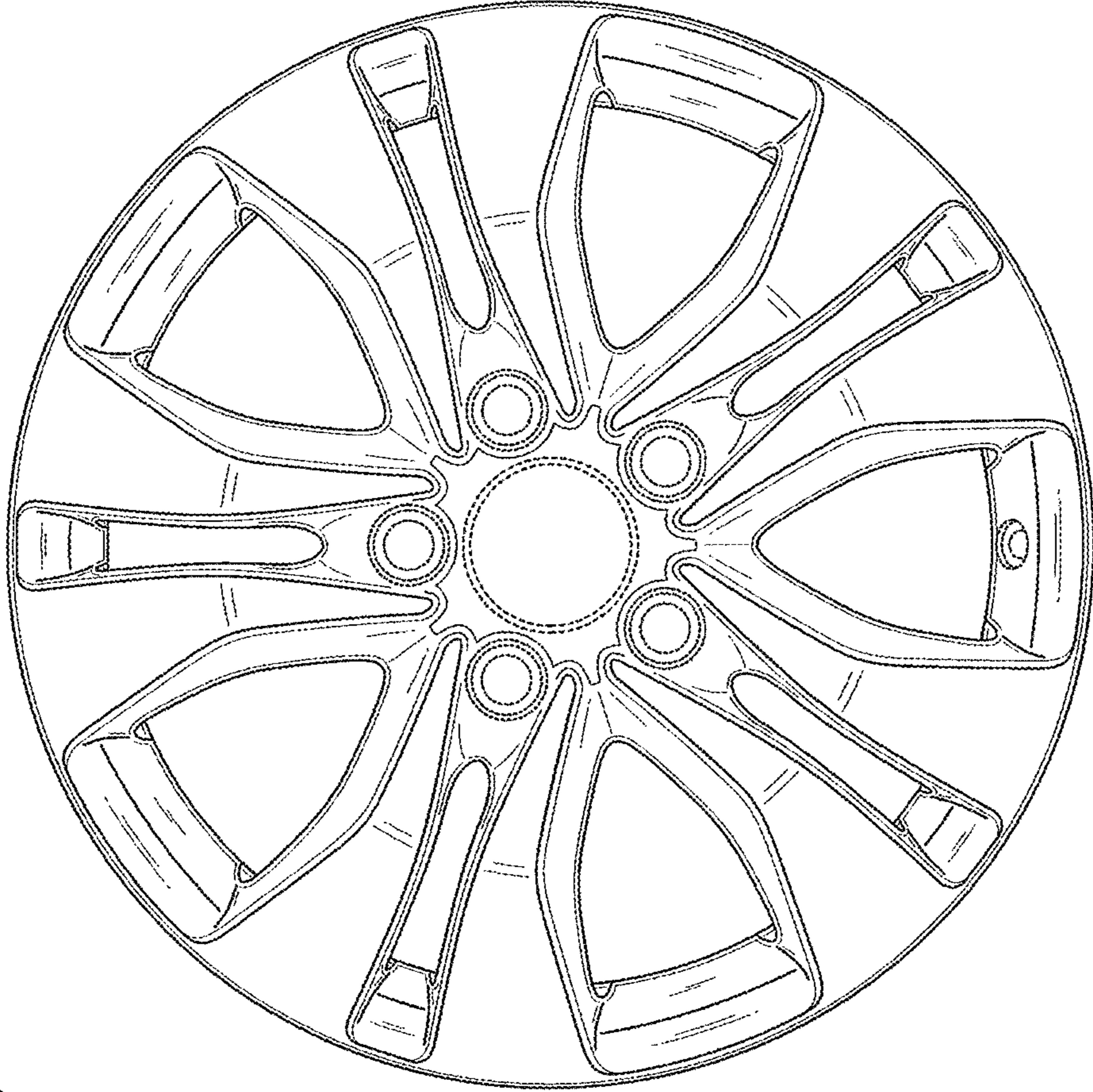


Fig. 2