



US00D723987S

(12) **United States Design Patent**  
**Kito**

(10) **Patent No.:** **US D723,987 S**  
(45) **Date of Patent:** **\*\* Mar. 10, 2015**

(54) **WHEEL CAP FOR AN AUTOMOBILE**

(71) Applicant: **Honda Motor Co., Ltd.**, Tokyo (JP)

(72) Inventor: **Yuuri Kito**, Wako (JP)

(73) Assignee: **Honda Motor Co., Ltd.**, Tokyo (JP)

(\*\*) Term: **14 Years**

(21) Appl. No.: **29/437,696**

(22) Filed: **Nov. 20, 2012**

(30) **Foreign Application Priority Data**

May 25, 2012 (JP) ..... 2012-012395

(51) **LOC (10) Cl.** ..... **12-16**

(52) **U.S. Cl.**  
USPC ..... **D12/209**

(58) **Field of Classification Search**

CPC ..... B60B 7/00; B60B 7/02; B60B 7/04;  
B60B 7/01; B60B 7/06; B60B 3/02; B60B  
3/04; B60B 3/06; B60B 3/10; B60B 1/00;  
B60B 1/08; B60B 1/10; B60B 1/12

USPC ..... D12/204-213

See application file for complete search history.

(56) **References Cited**

U.S. PATENT DOCUMENTS

D517,968 S *	3/2006	Morioka .....	D12/209
D530,252 S *	10/2006	Gabath .....	D12/209
D538,216 S *	3/2007	Sycha .....	D12/209
D540,240 S *	4/2007	Kountouras .....	D12/211
D590,319 S *	4/2009	Juergens et al. ....	D12/211
D594,802 S *	6/2009	Gustafsson .....	D12/211
D635,904 S *	4/2011	Futschik et al. ....	D12/209
D639,716 S *	6/2011	Juergens et al. ....	D12/211
D641,679 S *	7/2011	Vardis .....	D12/211
D650,315 S *	12/2011	Juergens et al. ....	D12/211
D673,093 S *	12/2012	Platto et al. ....	D12/209
D677,209 S *	3/2013	Kono .....	D12/211

\* cited by examiner

*Primary Examiner* — Stacia Cadmus

(74) *Attorney, Agent, or Firm* — Plumsea Law Group, LLC

(57) **CLAIM**

The ornamental design for a wheel cap for an automobile, as shown and described.

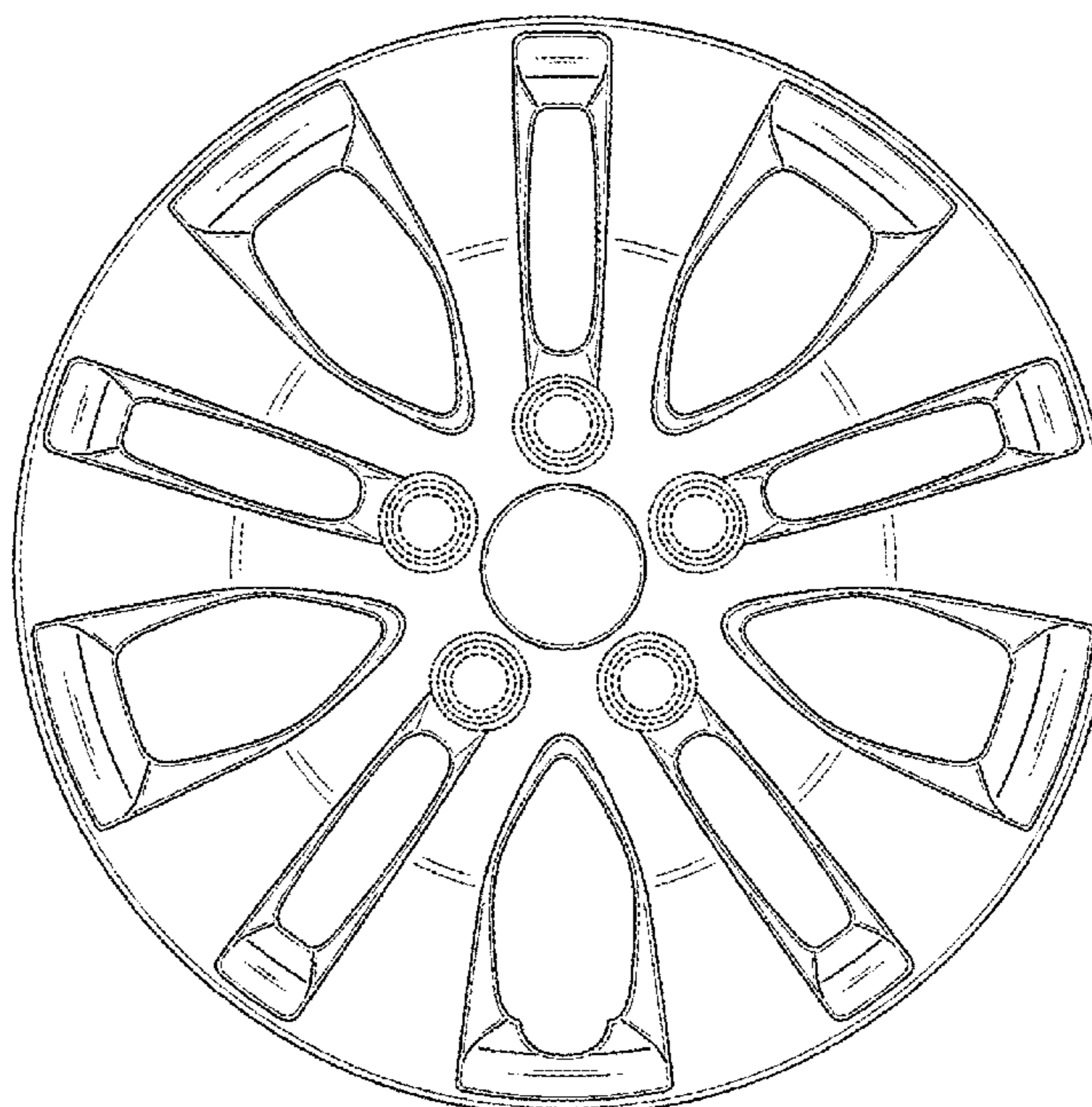
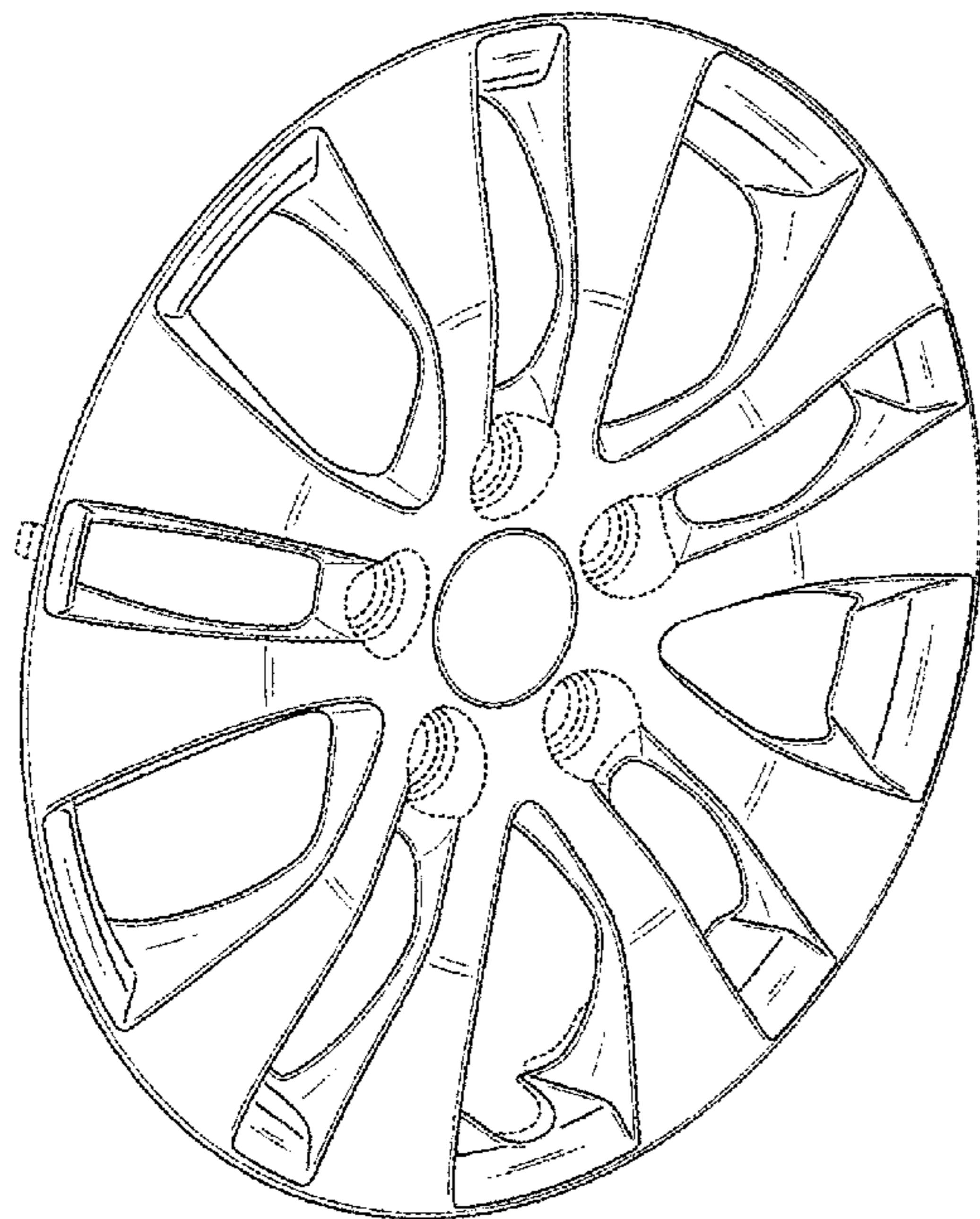
**DESCRIPTION**

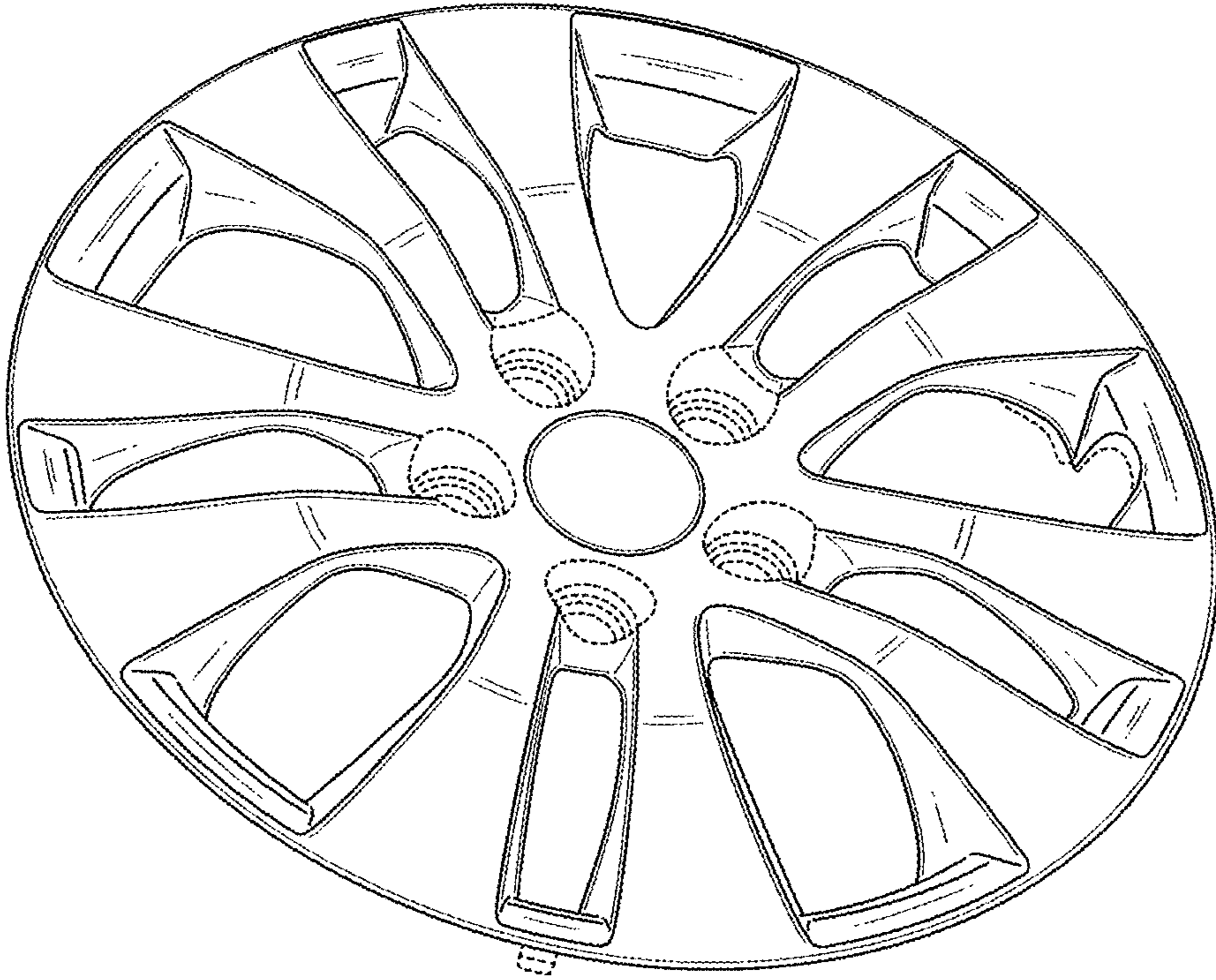
FIG. 1 is a perspective view of a wheel cap for an automobile, showing our new design; and,

FIG. 2 is a front elevation view thereof.

The broken lines are for illustrative purposes only and form no part of the claimed design.

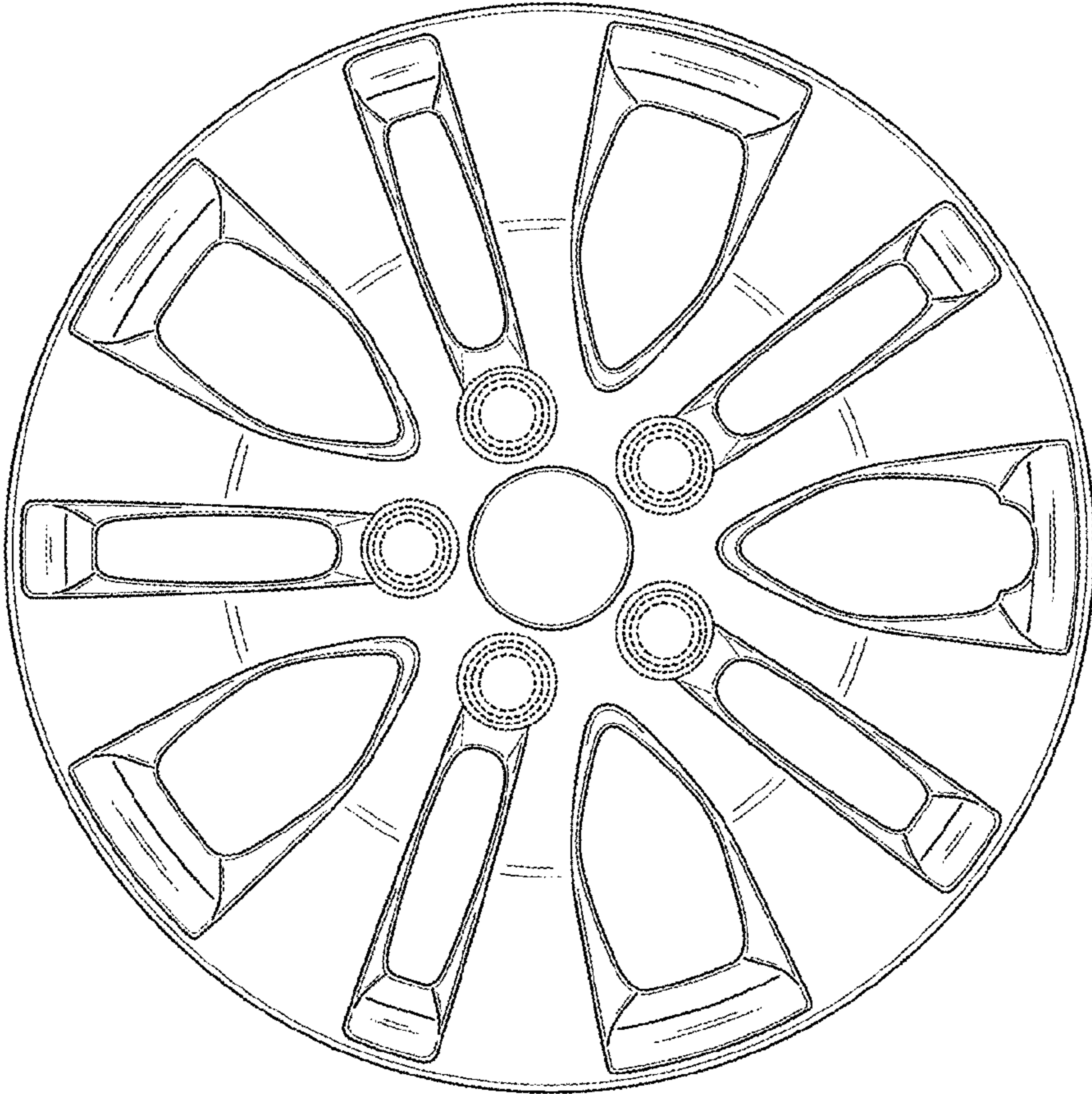
**1 Claim, 2 Drawing Sheets**





*Fig. 1*





*Fig. 2*