



US00D723986S

(12) **United States Design Patent**
Lemke

(10) **Patent No.:** **US D723,986 S**
(45) **Date of Patent:** **** Mar. 10, 2015**

(54) **VEHICLE WHEEL RIM**

(75) Inventor: **Peter Lemke**, Munich (DE)

(73) Assignee: **Audi AG**, Ingolstadt (DE)

(**) Term: **14 Years**

(21) Appl. No.: **29/427,858**

(22) Filed: **Jul. 23, 2012**

(30) **Foreign Application Priority Data**

Jan. 26, 2012 (EM) 001 981 564-0007

(51) **LOC (10) Cl.** **12-16**

(52) **U.S. Cl.**
USPC **D12/209**

(58) **Field of Classification Search**
CPC B60B 7/00; B60B 7/02; B60B 7/04;
B60B 7/01; B60B 7/06; B60B 3/02; B60B
3/04; B60B 3/06; B60B 3/10; B60B 1/00;
B60B 1/08; B60B 1/10; B60B 1/12
USPC D12/204-213
See application file for complete search history.

(56) **References Cited**

U.S. PATENT DOCUMENTS

D573,081 S * 7/2008 Kim et al. D12/211

D603,779 S * 11/2009 Futschik et al. D12/211
D606,477 S * 12/2009 Gelardi et al. D12/211
D608,715 S * 1/2010 Bucher et al. D12/211
D614,108 S * 4/2010 Varga D12/211
D615,018 S * 5/2010 Truebsbach D12/211
D619,073 S * 7/2010 Groom D12/211
D628,137 S * 11/2010 Groom D12/211
D649,923 S * 12/2011 Hans et al. D12/211
D660,768 S * 5/2012 De Bono D12/211
D669,008 S * 10/2012 Von Holzhausen et al. . D12/211
D677,208 S * 3/2013 Gotschke D12/209
D682,768 S * 5/2013 Hale D12/211
D688,181 S * 8/2013 Gotschke et al. D12/209
D688,188 S * 8/2013 Baum D12/211

* cited by examiner

Primary Examiner — Stacia Cadmus

(74) *Attorney, Agent, or Firm* — Lucas & Mercanti, LLP;
Klaus P. Stoffel

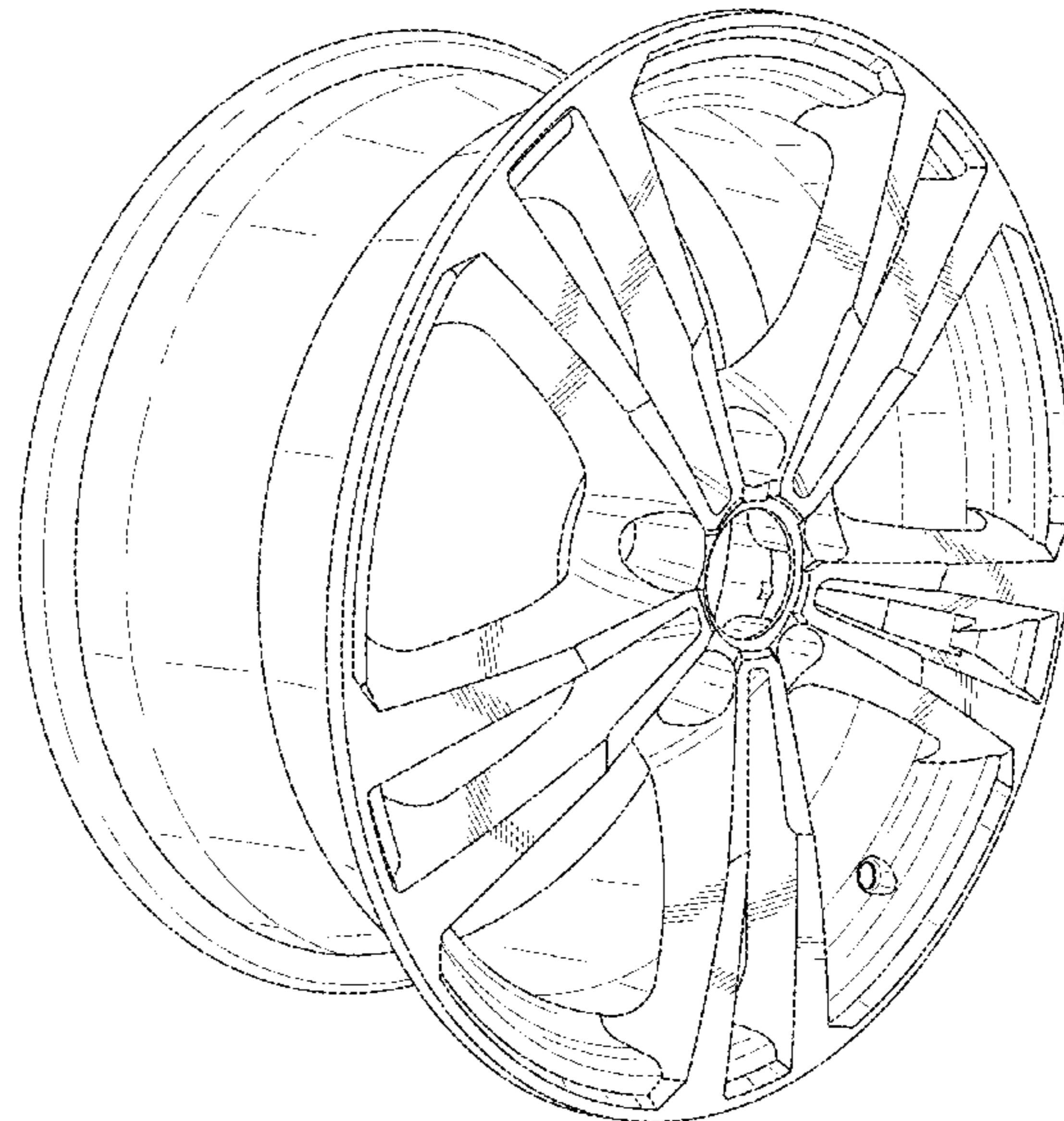
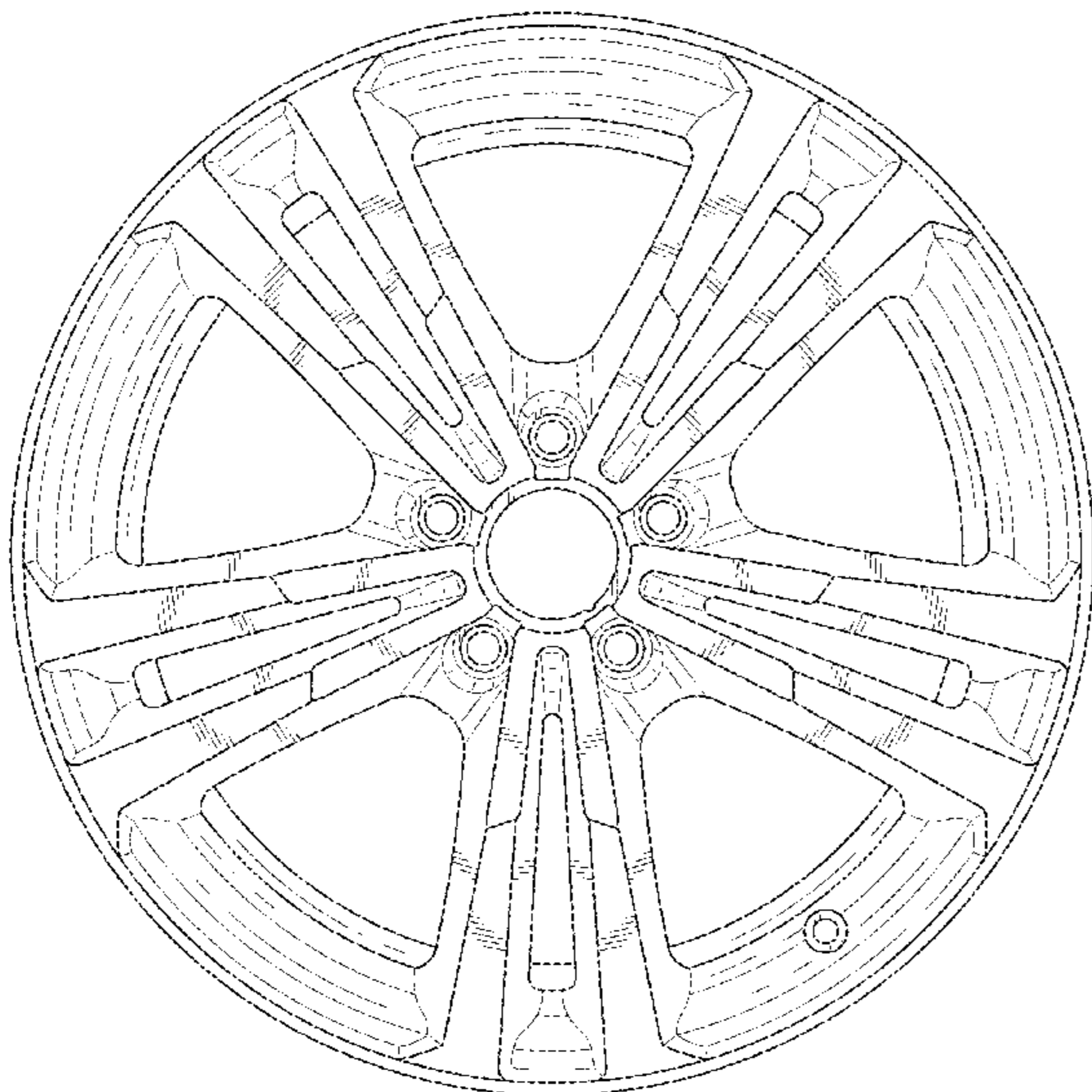
(57) **CLAIM**

The ornamental design for a vehicle wheel rim, as shown and described.

DESCRIPTION

FIG. 1 is a front view of the vehicle wheel rim of the present invention; and,
FIG. 2 is a front, side perspective view thereof.

1 Claim, 2 Drawing Sheets



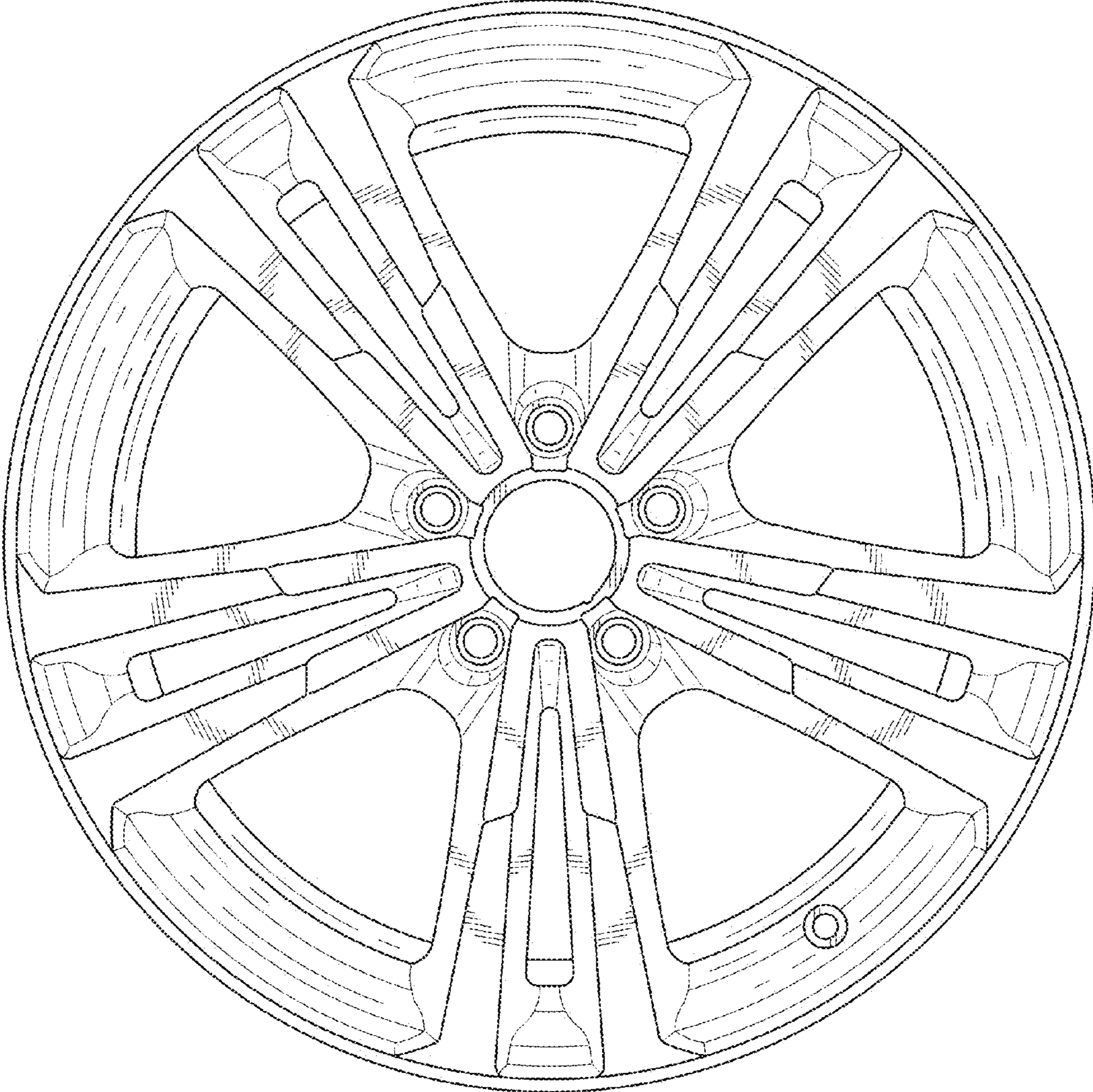


FIG. 1

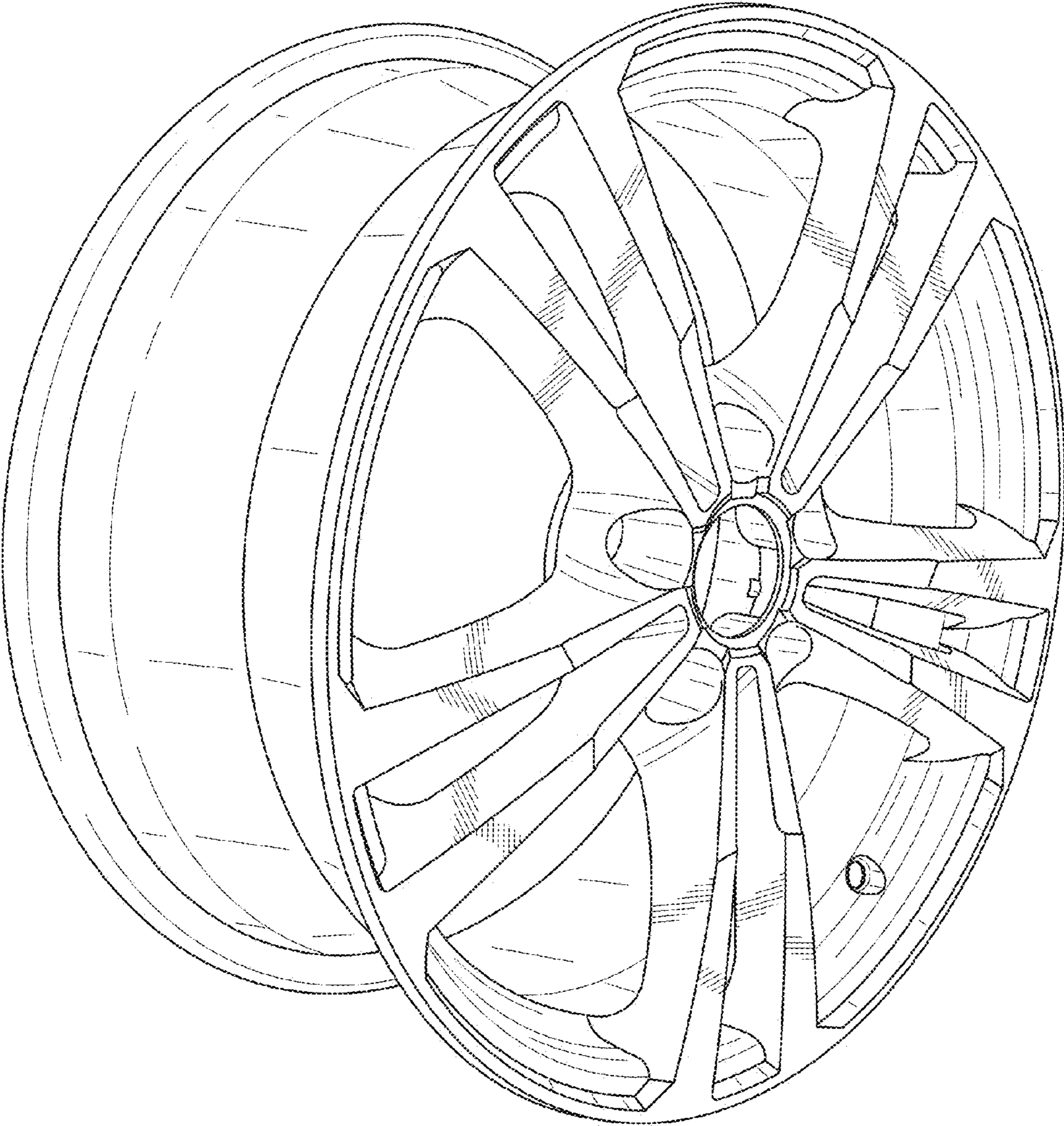


FIG. 2