

US00D723985S

(12) **United States Design Patent**
Johnson et al.

(10) **Patent No.:** **US D723,985 S**
(45) **Date of Patent:** **** Mar. 10, 2015**

(54) **BUMPER SCUFF PAD**

(56) **References Cited**

(71) Applicants: **William Johnson**, Dallas, TX (US);
Derek Sancer, Corinth, TX (US); **Scott Hite**, Pilot Point, TX (US)
(72) Inventors: **William Johnson**, Dallas, TX (US);
Derek Sancer, Corinth, TX (US); **Scott Hite**, Pilot Point, TX (US)
(73) Assignee: **PACCAR Inc**, Bellevue, WA (US)
(**) Term: **14 Years**

U.S. PATENT DOCUMENTS

D330,536	S	*	10/1992	Holloway et al.	D12/203
D349,679	S	*	8/1994	Waddington et al.	D12/203
D435,495	S	*	12/2000	McCoy et al.	D12/162
D458,579	S	*	6/2002	Adams et al.	D12/406
6,536,790	B1	*	3/2003	Ojanen	280/163
D496,898	S	*	10/2004	Metros et al.	D12/203
D497,338	S	*	10/2004	Metros et al.	D12/203
D514,492	S	*	2/2006	Metros et al.	D12/203
D535,928	S	*	1/2007	Crandall	D12/203
7,287,770	B2	*	10/2007	Drabant et al.	280/163
D568,221	S	*	5/2008	Cord et al.	D12/203
D588,514	S	*	3/2009	Kudelko et al.	D12/203
D662,867	S	*	7/2012	Neal et al.	D12/203

* cited by examiner

Primary Examiner — Philip S Hyder
Assistant Examiner — Darlington Ly
(74) *Attorney, Agent, or Firm* — Christensen O'Connor Johnson Kindness PLLC

(21) Appl. No.: **29/449,305**
(22) Filed: **Mar. 14, 2013**
(51) **LOC (10) Cl.** **12-16**
(52) **U.S. Cl.**
USPC **D12/203**
(58) **Field of Classification Search**
CPC B63B 3/66; B60H 1/34; B60H 1/248;
B60H 1/262; B60K 13/02; B60K 13/005;
B60K 19/52; B60K 2019/525; F24F 13/20;
F24F 13/082
USPC D12/162, 163, 167, 168, 172, 193, 203,
D12/400; D25/62, 68-69; 40/200, 204, 209;
182/89-92, 150; 224/521;
280/163-165, 507, 770; 293/108, 115,
293/117, 142

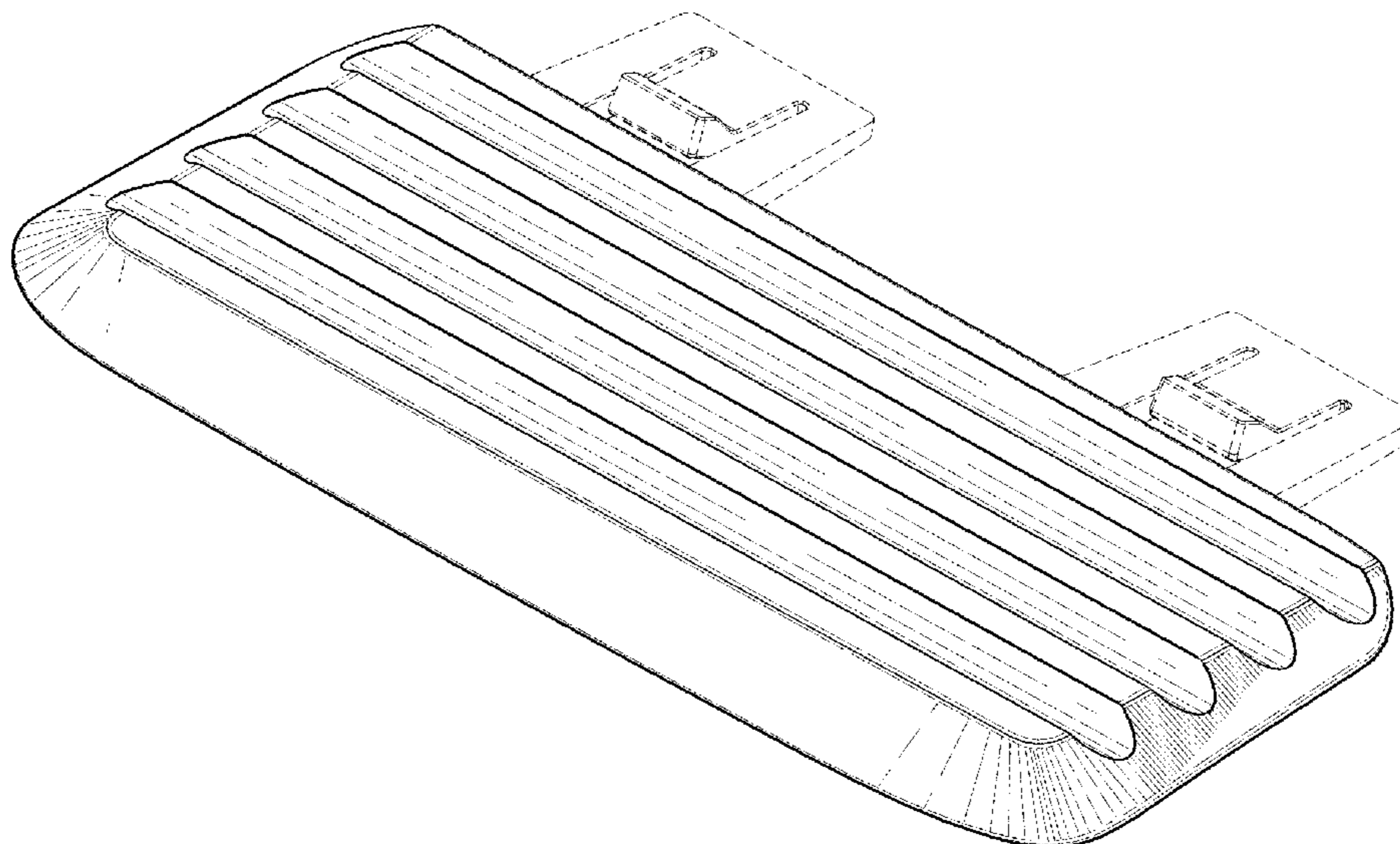
(57) **CLAIM**
The ornamental design for a bumper scuff pad, as shown and described.

DESCRIPTION

FIG. 1 is a perspective view of the bumper scuff pad in accordance with our new design;
FIG. 2 is a top view of the bumper scuff pad of FIG. 1;
FIG. 3 is a front view of the bumper scuff pad of FIG. 1;
FIG. 4 is a left side view of the bumper scuff pad of FIG. 1; and,
FIG. 5 is a right side view of bumper scuff pad of FIG. 2.
The broken lines shown in the drawings illustrate portions of the bumper scuff pad that forms no part of the claimed design.

1 Claim, 3 Drawing Sheets

See application file for complete search history.



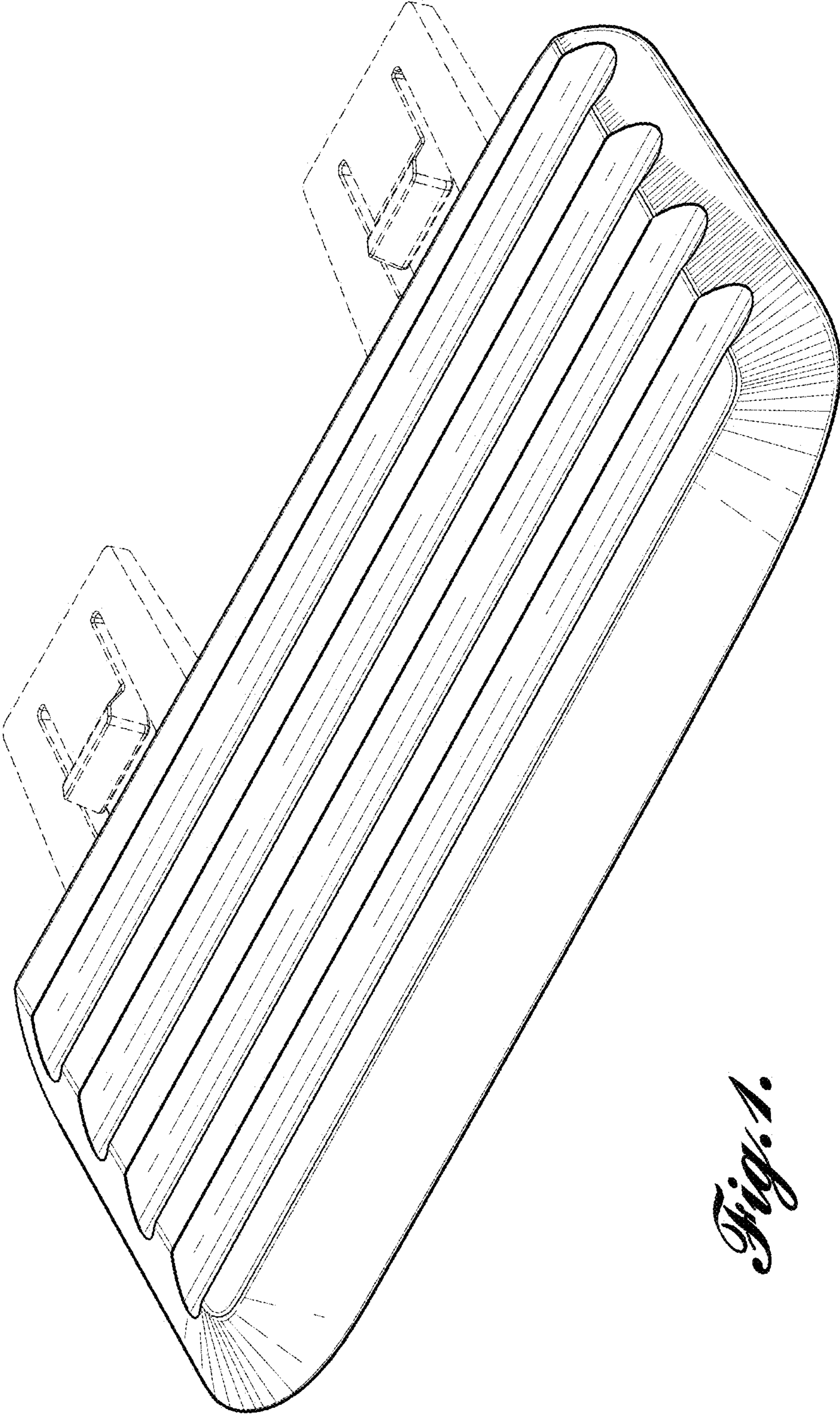


Fig. 1.

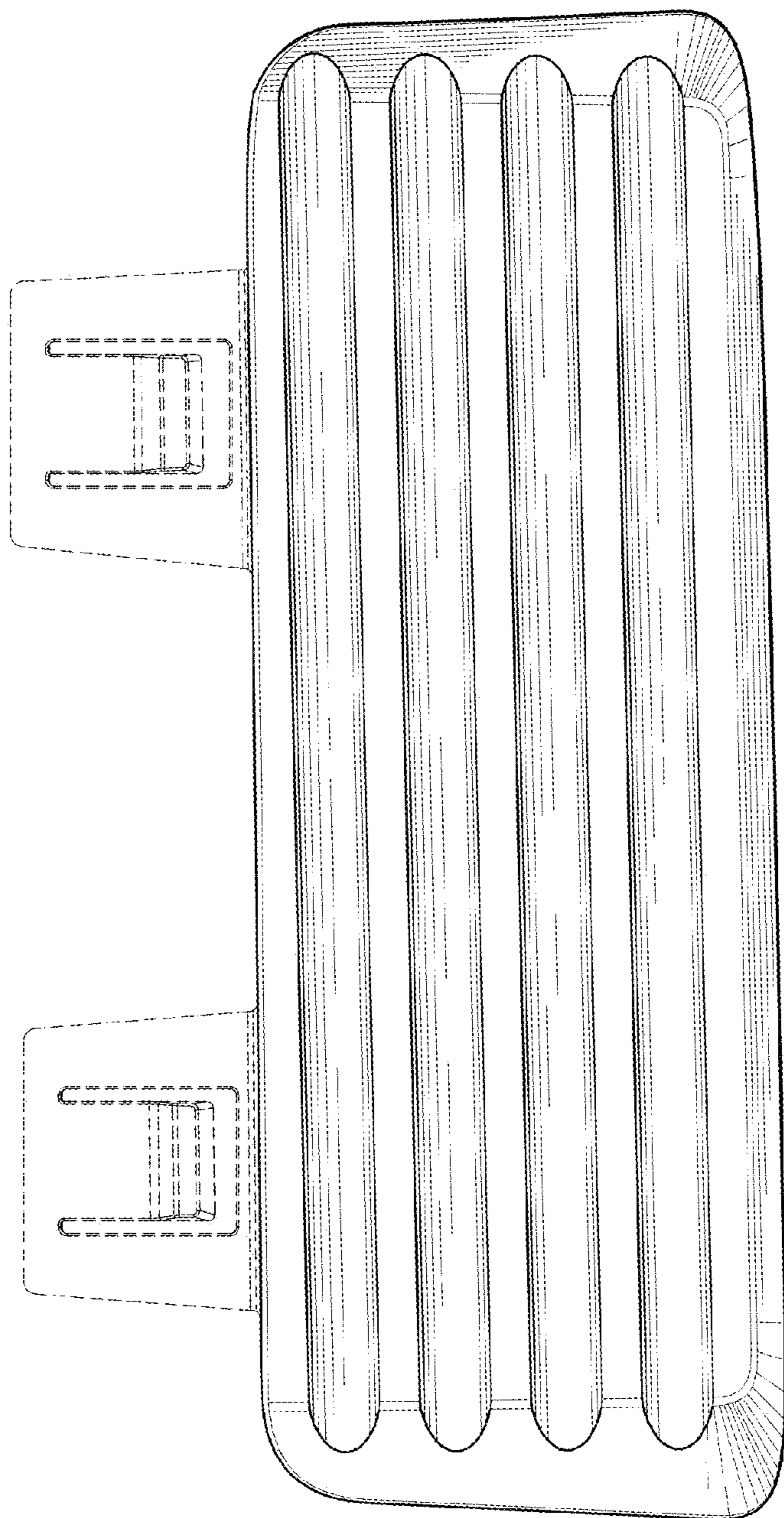


Fig. 2.

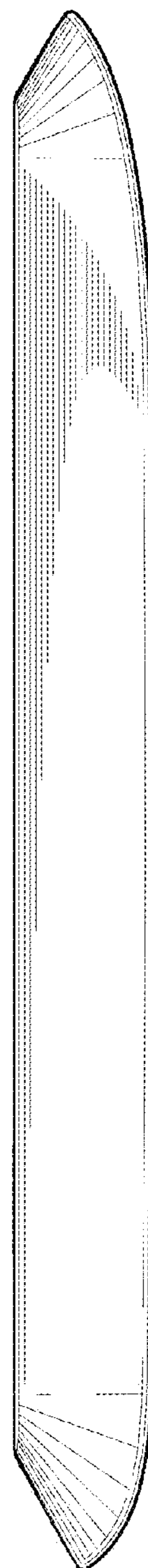


Fig. 3.

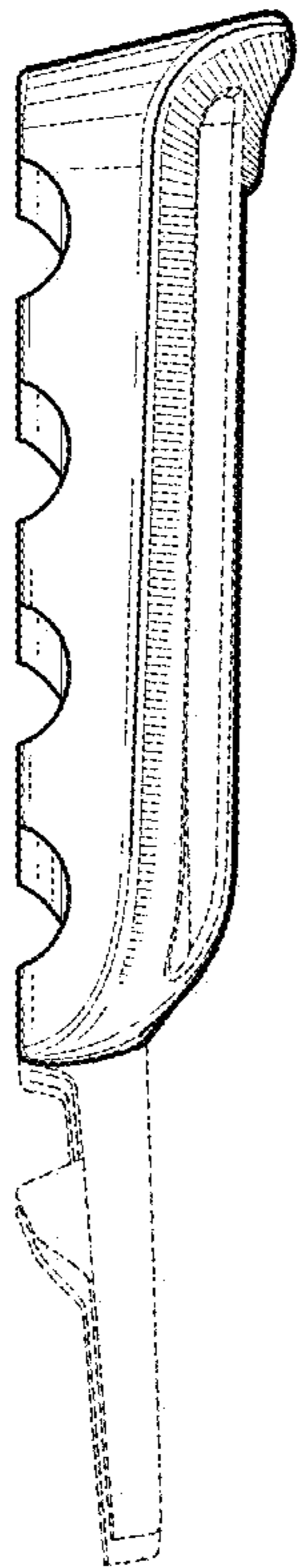


Fig. 4.

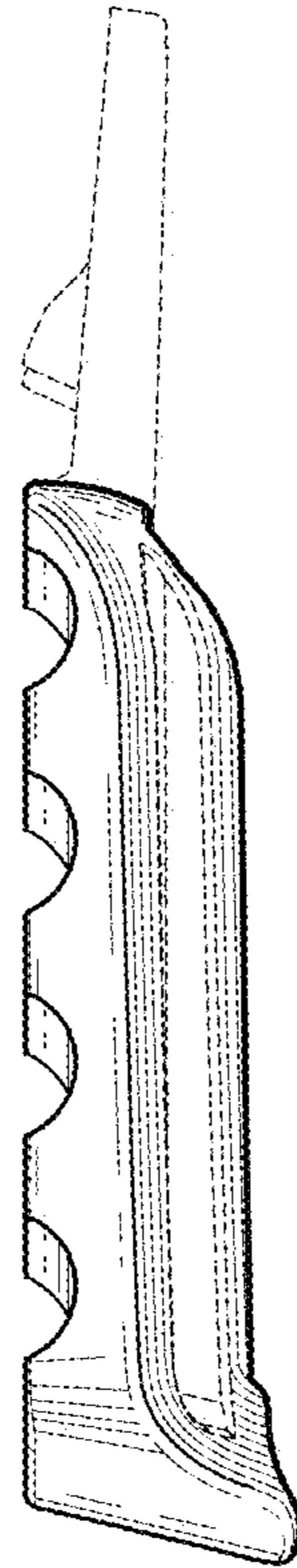


Fig. 5.