



US00D723980S

(12) **United States Design Patent**
Simons

(10) **Patent No.:** **US D723,980 S**
(45) **Date of Patent:** **** Mar. 10, 2015**

- (54) **MODULAR SACK**
- (71) Applicant: **David J. Simons**, Key West, FL (US)
- (72) Inventor: **David J. Simons**, Key West, FL (US)
- (**) Term: **14 Years**
- (21) Appl. No.: **29/464,728**
- (22) Filed: **Aug. 20, 2013**
- (51) **LOC (10) Cl.** **12-11**
- (52) **U.S. Cl.**
USPC **D12/114**
- (58) **Field of Classification Search**
USPC D12/114, 407, 119; 224/309, 412, 422,
224/423, 424, 427, 431, 438, 558, 560, 563,
224/417, 153, 430, 142, 439, 328, 400, 413,
224/42.11, 435, 452, 418, 419, 429, 450,
224/288.4, 463, 901.4, 901.8, 457, 448,
224/447, 421, 425, 440, 441, 433, 449, 420,
224/434, 436, 445; D26/29; 424/725;
280/204, 400, 288.4, 292, 491.5, 494,
280/496, 498, 648, 47.26, 483, 492,
280/124.177; 180/206.4, 220; D6/716.4;
294/142; 383/25, 40, 97, 13, 14;
74/551.8; 220/9.1, 9.4
See application file for complete search history.

2007/0193902	A1 *	8/2007	Myers et al.	206/320
2008/0011567	A1 *	1/2008	Hammond	190/108
2010/0282809	A1 *	11/2010	Scicluna	224/653
2013/0146634	A1 *	6/2013	Murdoch et al.	224/583
2013/0270318	A1 *	10/2013	Gleason, Jr.	224/634
2014/0076679	A1 *	3/2014	Hughes	190/18 A

* cited by examiner

Primary Examiner — Eric Goodman

Assistant Examiner — Ryan Harvey

(74) *Attorney, Agent, or Firm* — Christopher J. Van Dam, PA; Chris Vandam

(57) **CLAIM**

I claim the ornamental design for a modular sack, as shown and described.

DESCRIPTION

FIG. 1 shows a perspective view of a modular sack. The modular sack is demonstrated in a saddlebag mode. A motorcycle and rider are shown in broken lines.

FIG. 2 shows a perspective view of the modular sack in saddlebag mode.

FIG. 3 shows a perspective view of the modular sack in saddlebag mode.

FIG. 4 shows a perspective view of the modular sack. The modular sack is demonstrated in a backpack mode. A human is shown in broken lines.

FIG. 5 shows a perspective view of the modular sack in backpack mode.

FIG. 6 shows a perspective view of the modular sack in backpack mode separated from a first sub-pack and a second sub-pack.

FIG. 7 shows a perspective view of the first sub-pack of the modular sack; and,

FIG. 8 shows a perspective view of the second sub-pack of the modular sack.

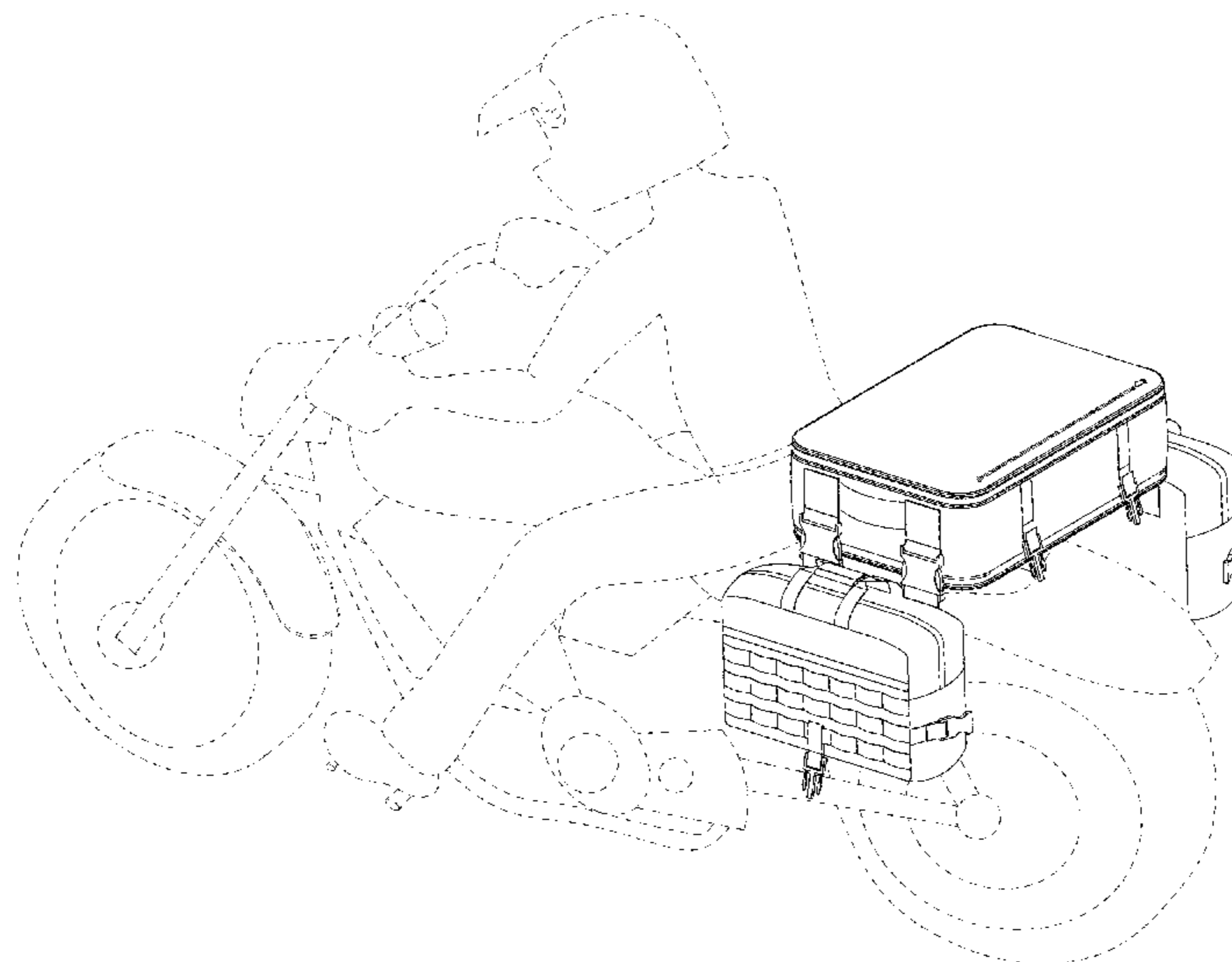
The purpose of broken lines in the drawings is to show environmental structure that forms no part of the claimed design.

(56) **References Cited**

U.S. PATENT DOCUMENTS

3,786,972	A *	1/1974	Alley	224/417
3,903,944	A *	9/1975	Montgomery et al.	224/430
3,937,374	A *	2/1976	Hine, Jr.	224/430
4,260,084	A *	4/1981	Warren, Jr.	224/430
4,442,960	A *	4/1984	Vetter	224/417
D418,673	S *	1/2000	Madsen	D3/216
6,435,390	B1 *	8/2002	Abramowicz	224/629
D545,056	S *	6/2007	Leighton	D3/217
D591,045	S *	4/2009	Chu et al.	D3/283
2002/0074373	A1 *	6/2002	Heinz et al.	224/637
2002/0162718	A1 *	11/2002	Wu	190/108

1 Claim, 5 Drawing Sheets



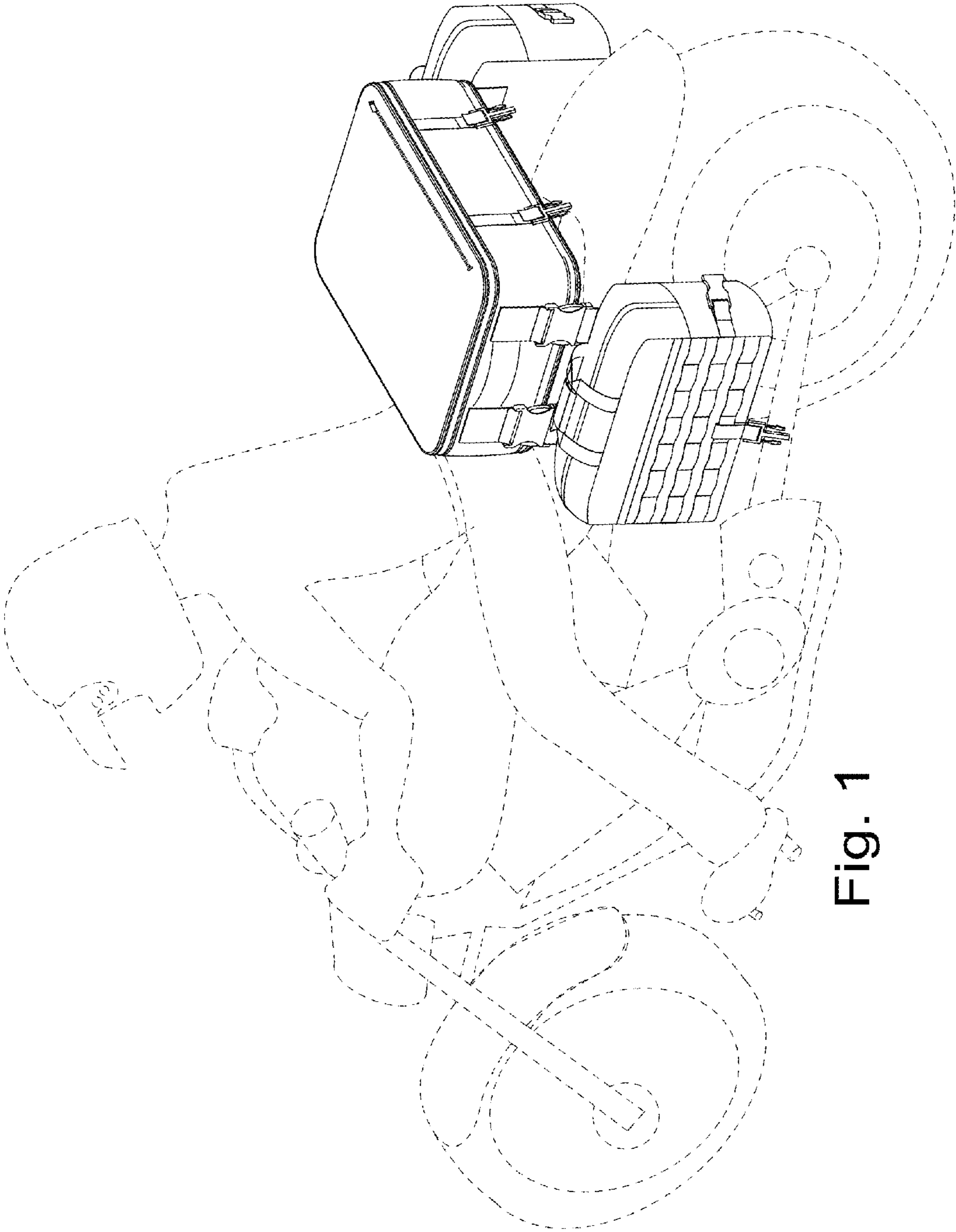


Fig. 1

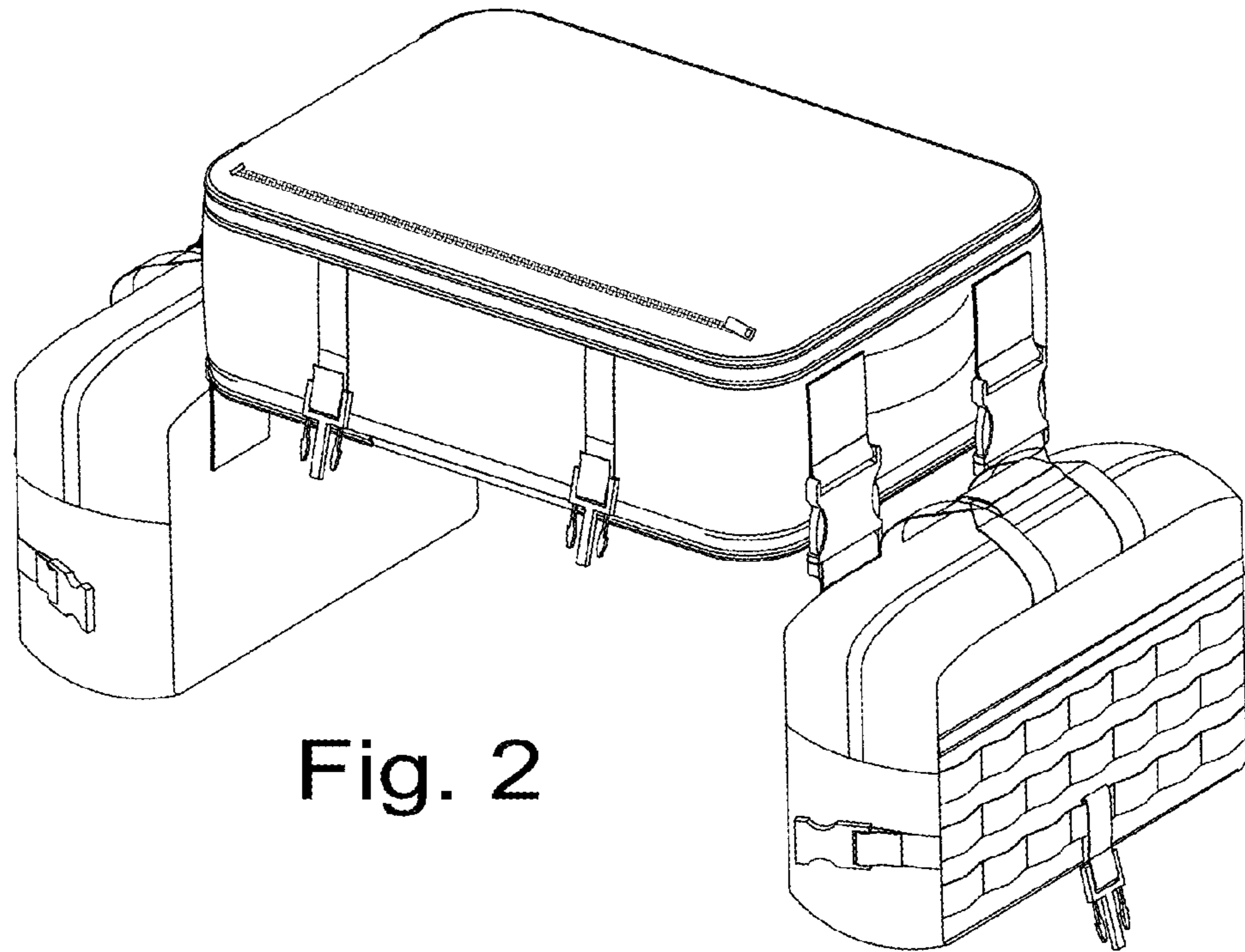


Fig. 2

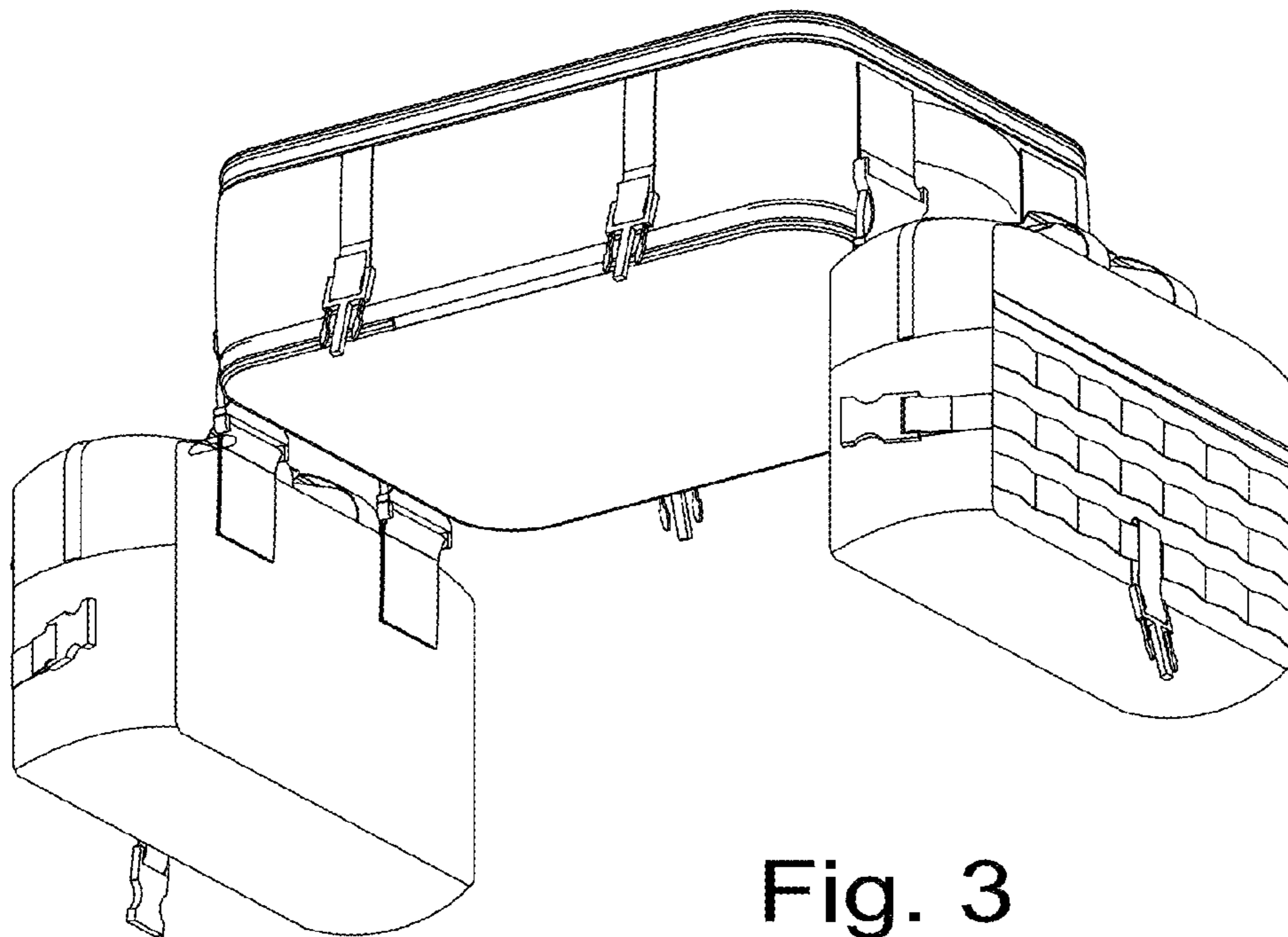


Fig. 3

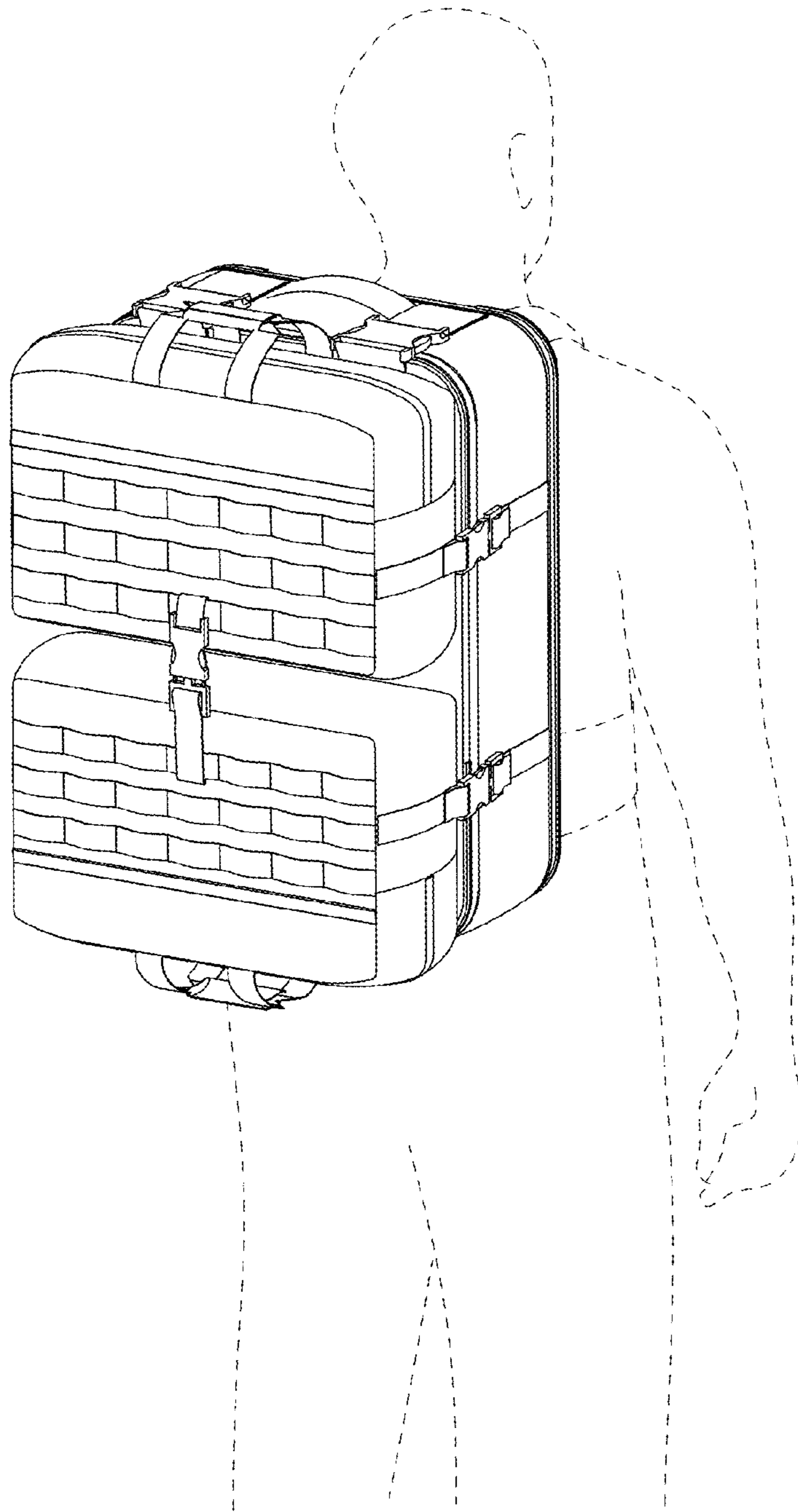


Fig. 4

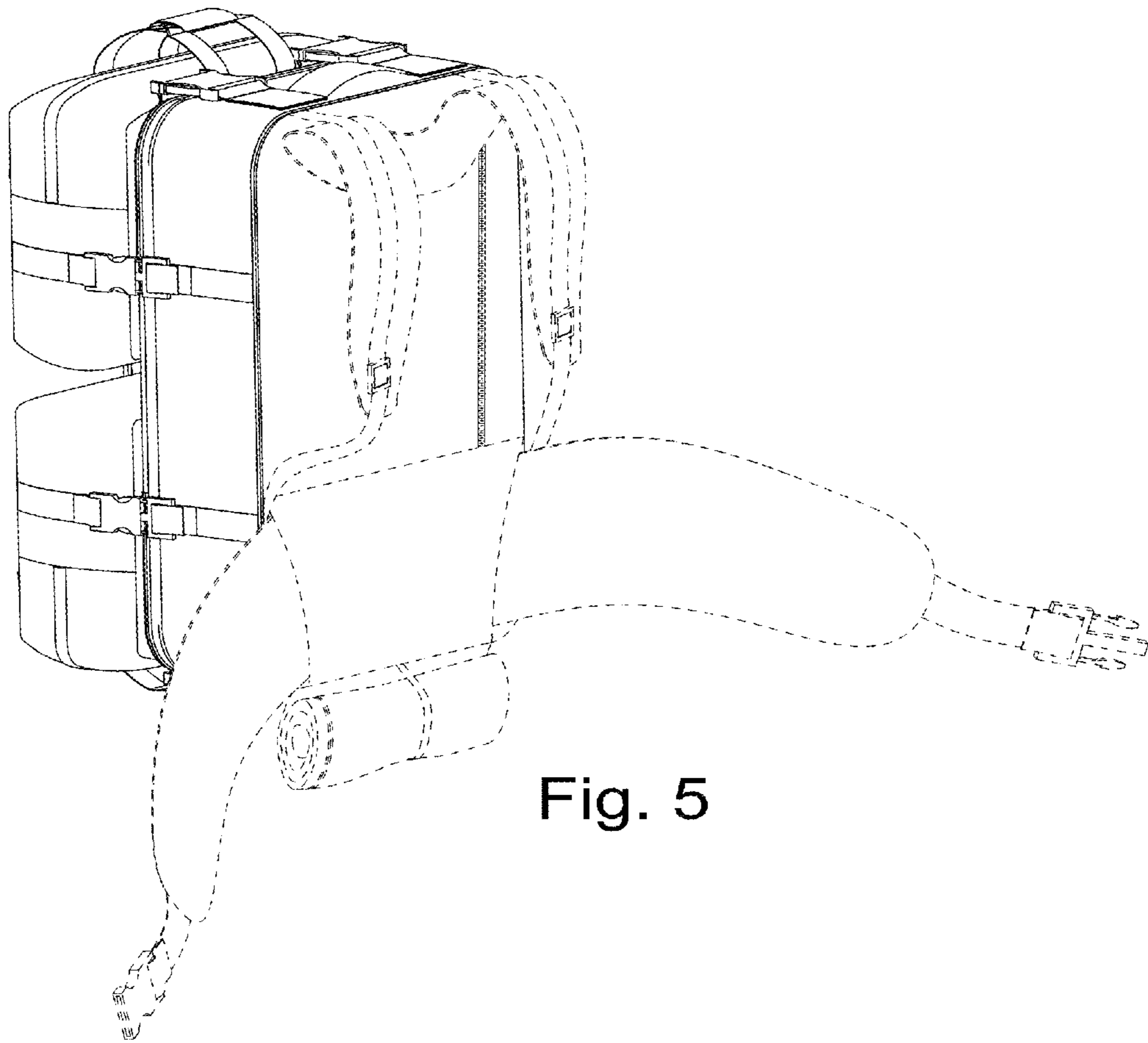


Fig. 5

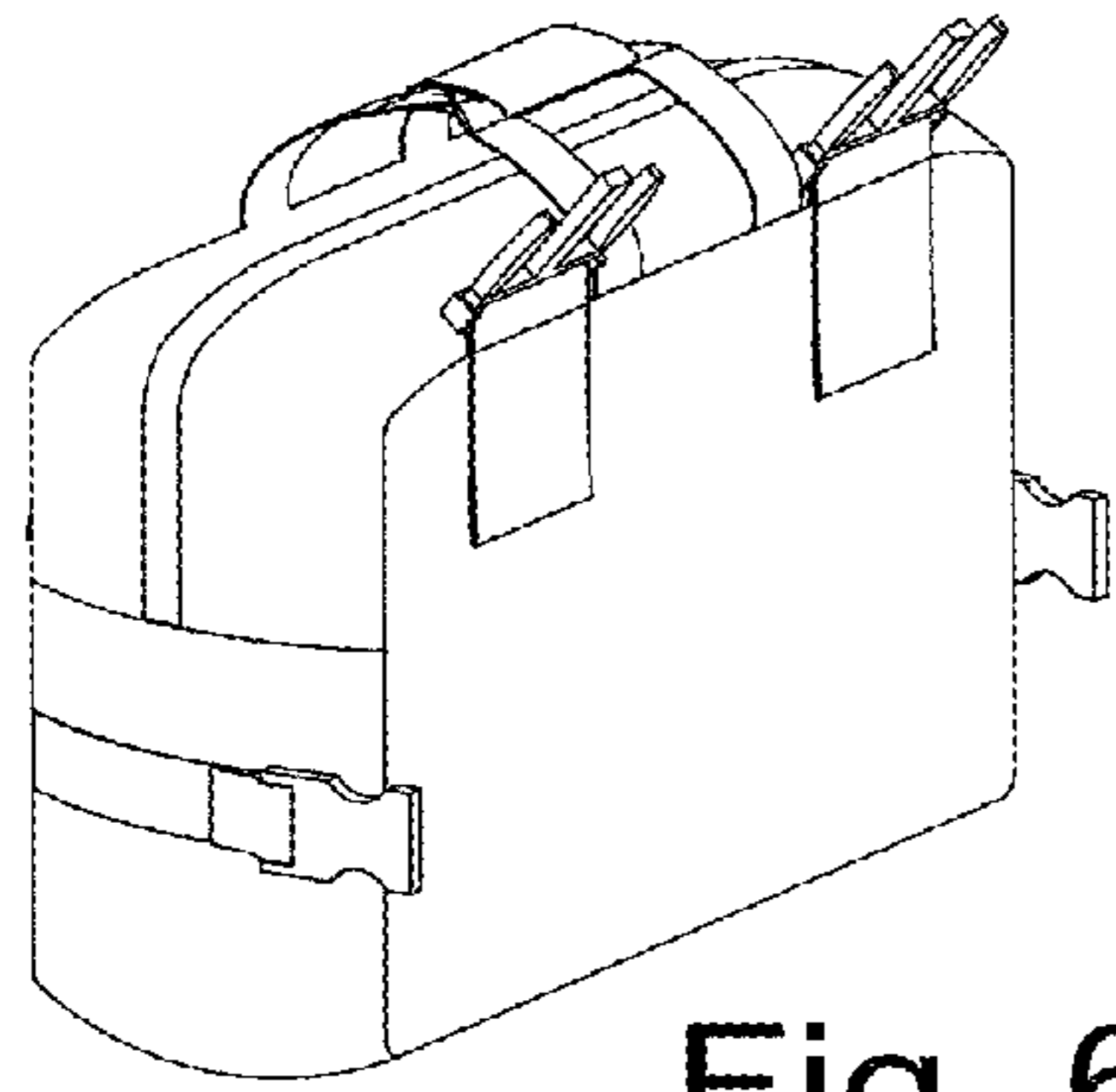


Fig. 6

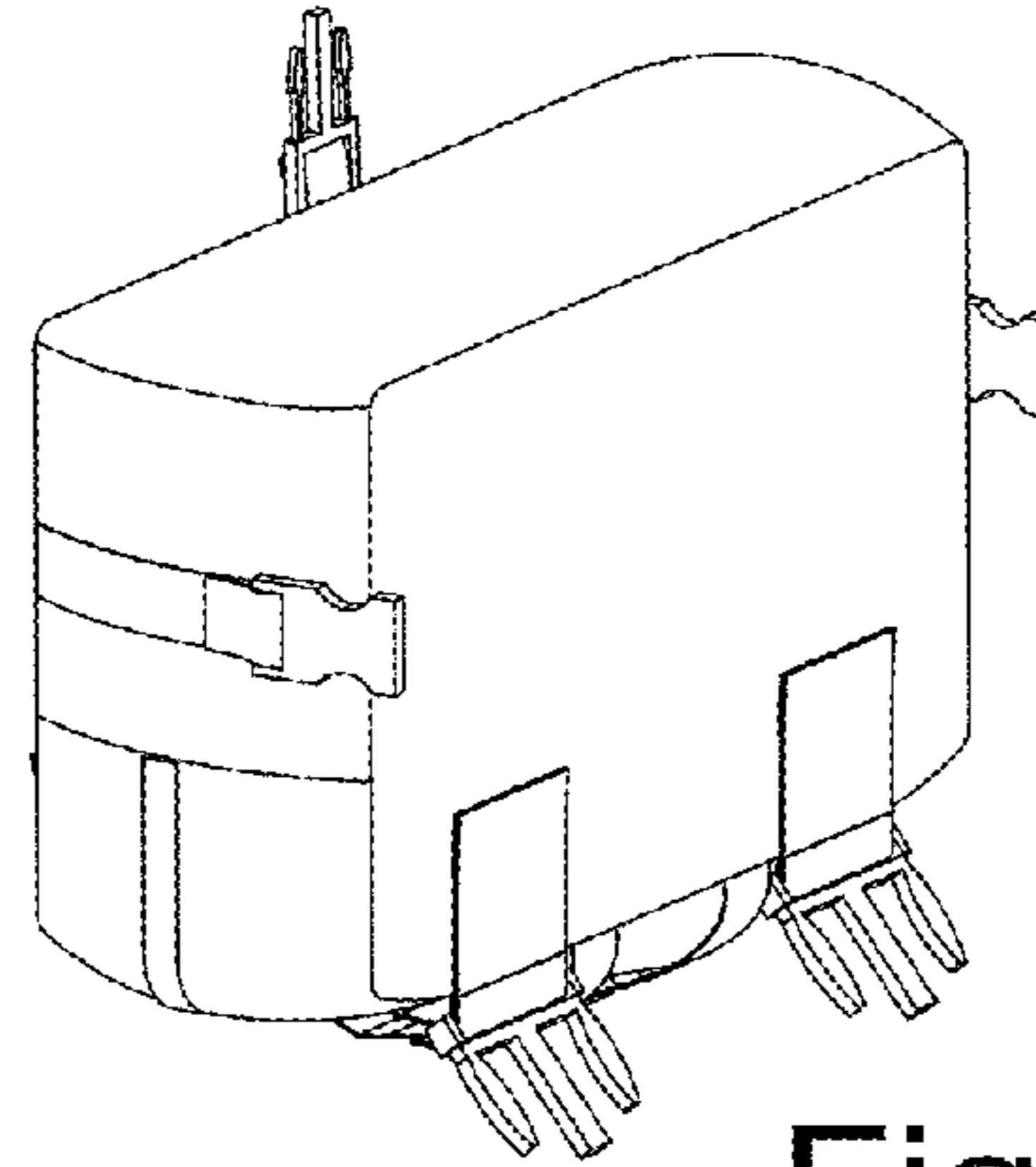


Fig. 8

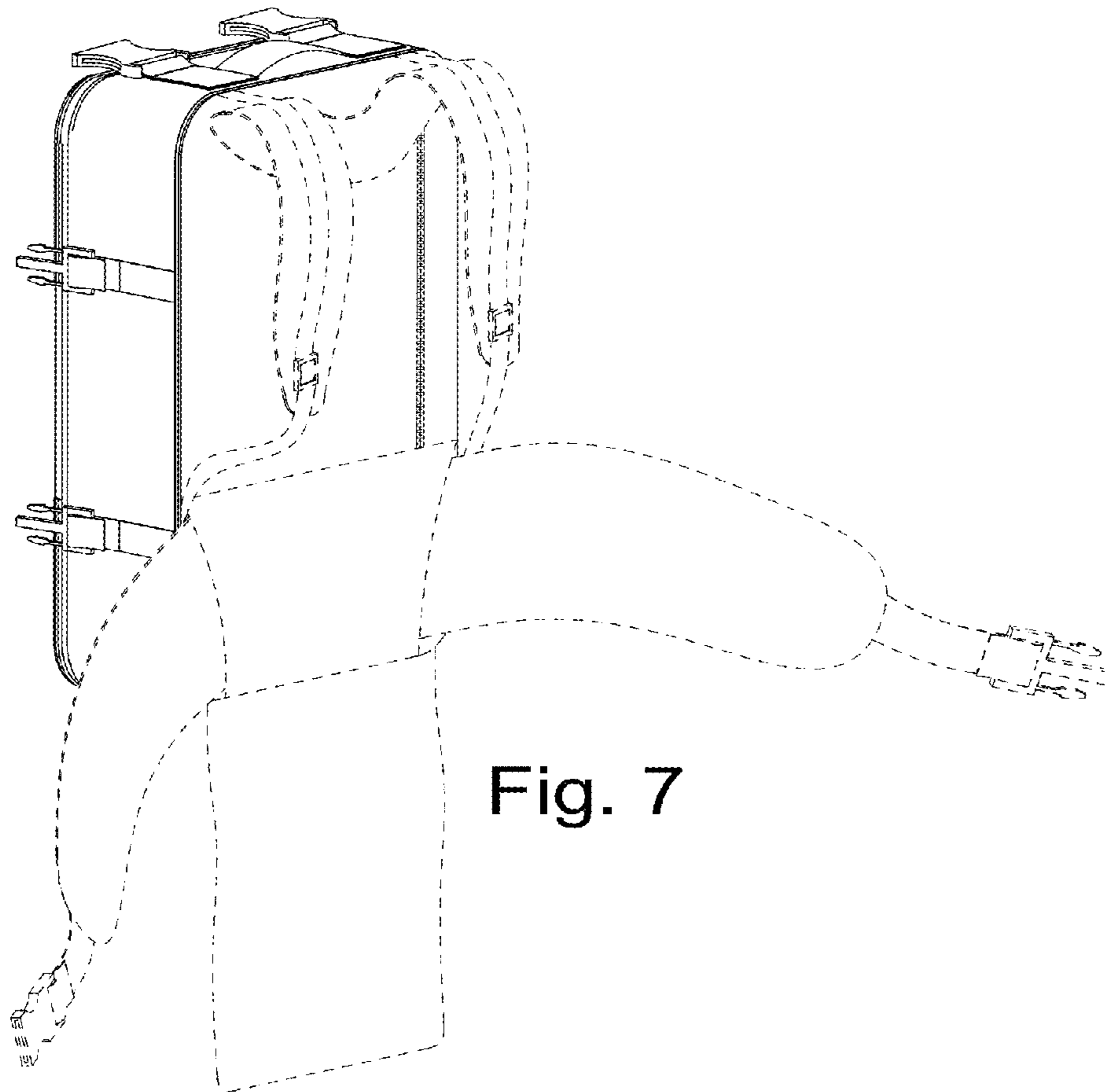


Fig. 7