



US00D723976S

(12) **United States Design Patent**  
**Petit et al.**

(10) **Patent No.:** **US D723,976 S**  
(45) **Date of Patent:** **\*\* Mar. 10, 2015**

(54) **SNOWMOBILE**

FOREIGN PATENT DOCUMENTS

(71) Applicant: **BRP Finland Oy**, Rovaniemi (FI)

RU 48693 4/2001

(72) Inventors: **Philippe Petit**, Orford (CA); **Ivan Brousseau**, Granby (CA); **Damien Basset**, Montreal (CA)

RU 69577 3/2009

RU 70390 5/2009

RU 72133 9/2009

\* cited by examiner

(73) Assignee: **BRP Finland Oy**, Rovaniemi (FI)

*Primary Examiner* — T. Chase Nelson

*Assistant Examiner* — Ania Aman

(\*\*) Term: **14 Years**

(74) *Attorney, Agent, or Firm* — BCF LLP

(21) Appl. No.: **29/484,548**

(22) Filed: **Mar. 11, 2014**

(57) **CLAIM**

The ornamental design for a snowmobile, as shown and described.

(30) **Foreign Application Priority Data**

Sep. 11, 2013 (RU) ..... 2013503550

(51) **LOC (10) Cl.** ..... **12-14**

(52) **U.S. Cl.**  
USPC ..... **D12/7**

(58) **Field of Classification Search**  
USPC ..... D12/7, 110, 111, 9, 112, 307, 400, 86,  
D12/85, 88; D21/533; 180/182, 190,  
180/184-186, 9.25, 180, 219, 193, 194;  
280/845

See application file for complete search history.

(56) **References Cited**

U.S. PATENT DOCUMENTS

D580,824 S \* 11/2008 Longpre et al. .... D12/7  
D592,098 S \* 5/2009 Petit ..... D12/7  
D592,099 S \* 5/2009 Longpre et al. .... D12/7  
D593,903 S 6/2009 Petit  
D596,530 S 7/2009 Petit  
D601,453 S \* 10/2009 Brew et al. .... D12/7  
D670,602 S \* 11/2012 Lepine et al. .... D12/7  
2014/0076648 A1 \* 3/2014 Giese et al. .... 180/193

**DESCRIPTION**

FIG. 1 is a perspective view taken from a front, right side of a snowmobile according to an embodiment of our design;

FIG. 2 is a perspective view taken from a rear, right side thereof;

FIG. 3 is a right side elevation view thereof;

FIG. 4 is a front elevation view thereof;

FIG. 5 is a left side elevation view thereof;

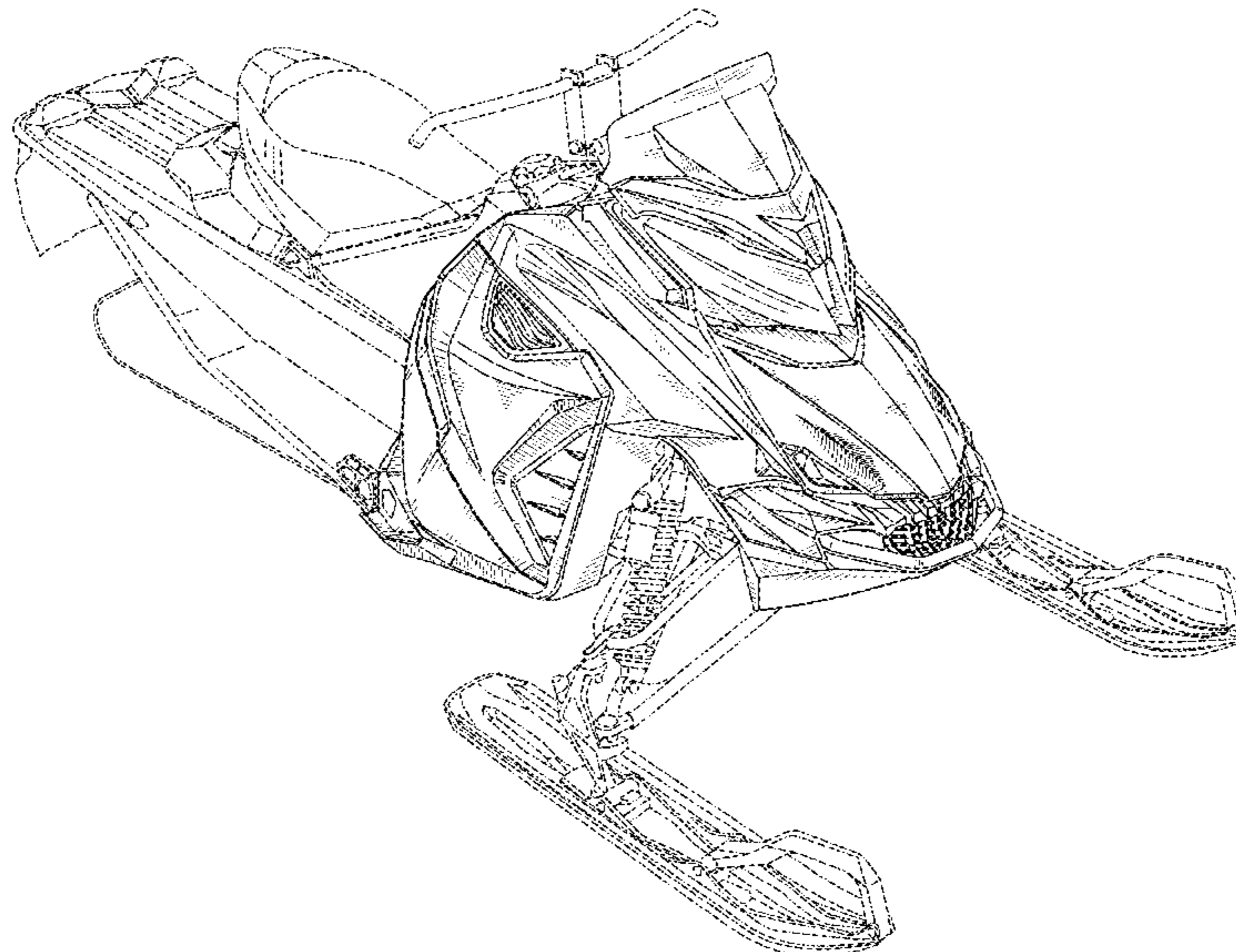
FIG. 6 is a rear elevation view thereof;

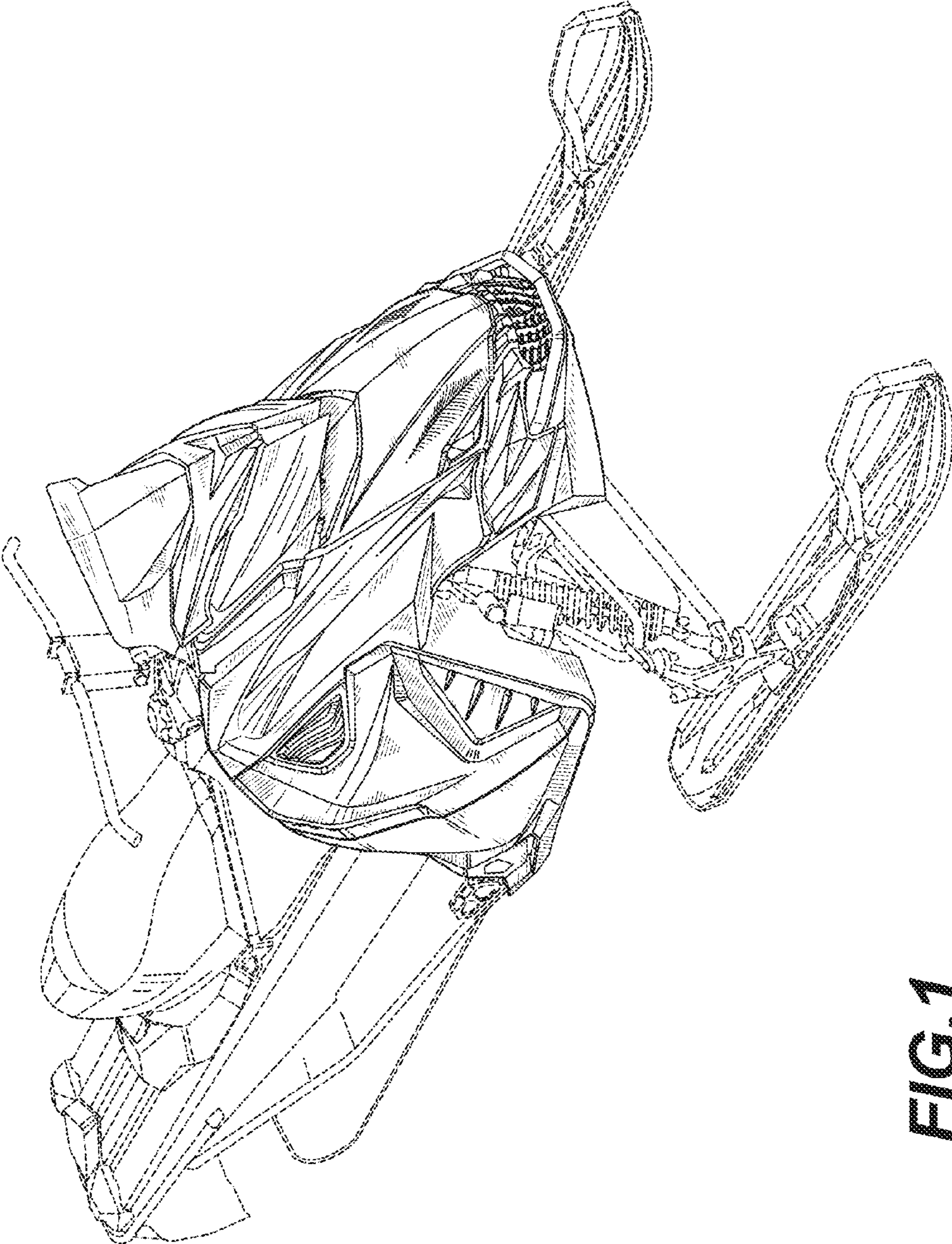
FIG. 7 is a top plan view thereof; and,

FIG. 8 is a bottom plan view thereof.

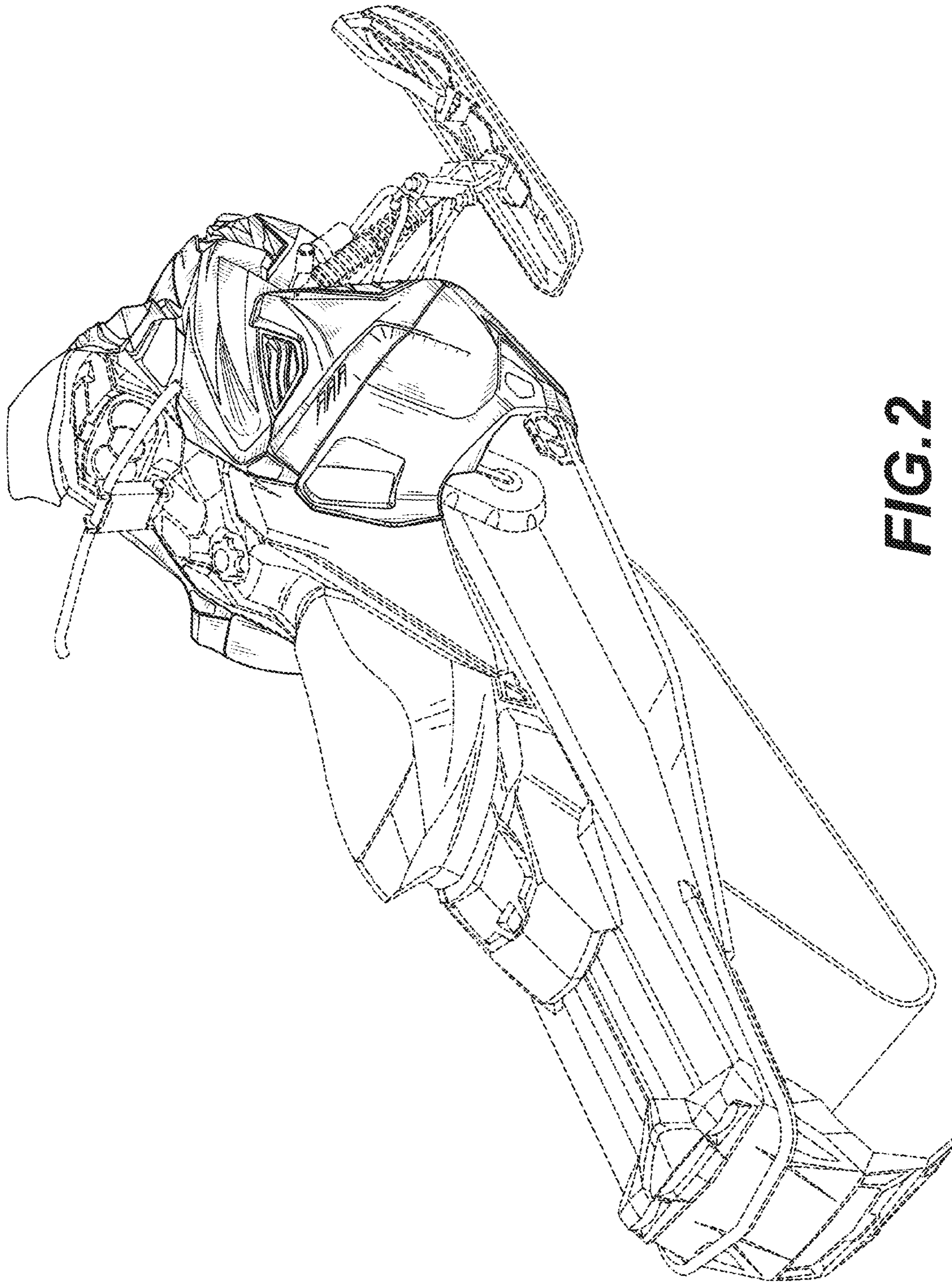
Throughout the Figures, where shown: (i) the dashed lines showing additional structure of the snowmobile are for illustrative purposes only and form no part of the claimed design; and (ii) the unshaded surfaces form no part of the claimed design. A second embodiment of the invention includes the mirror image of the embodiment of the snowmobile shown in the Figures.

**1 Claim, 8 Drawing Sheets**





**FIG. 1**



**FIG. 2**

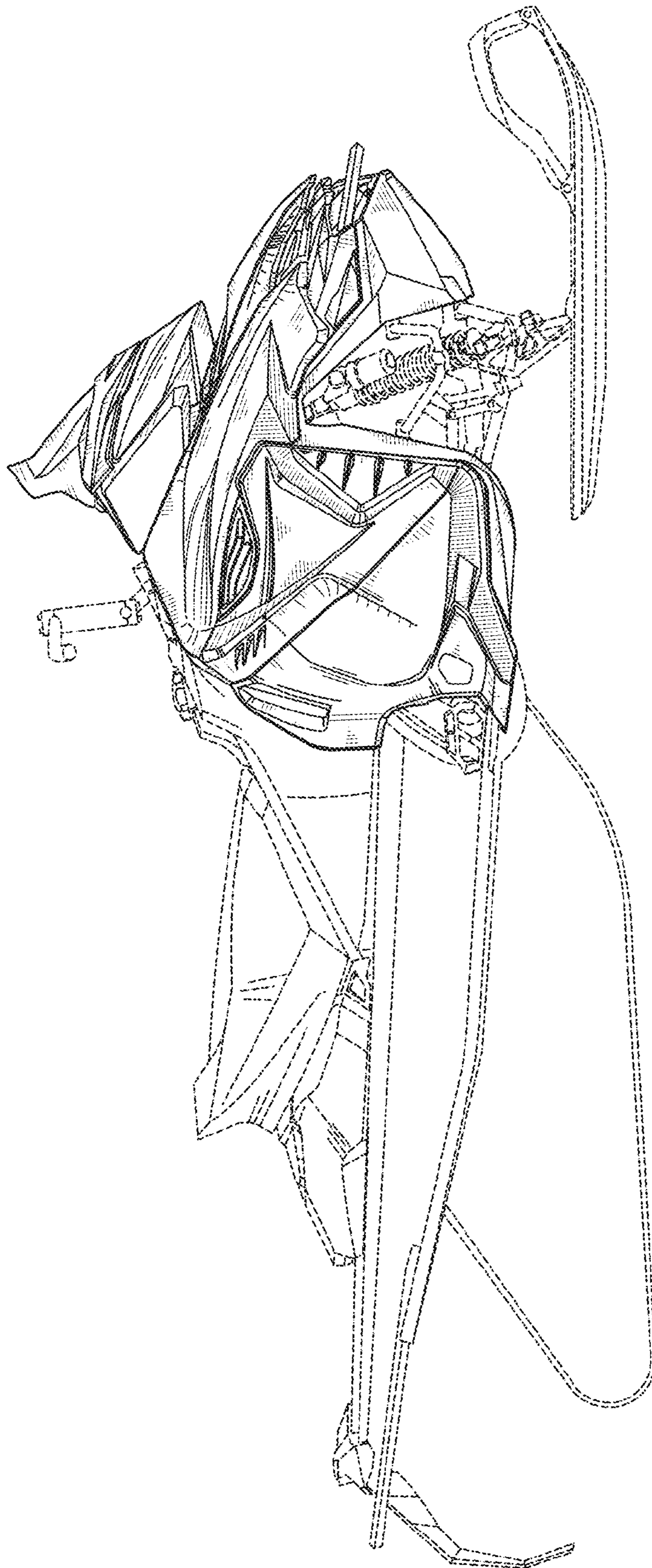


FIG. 3

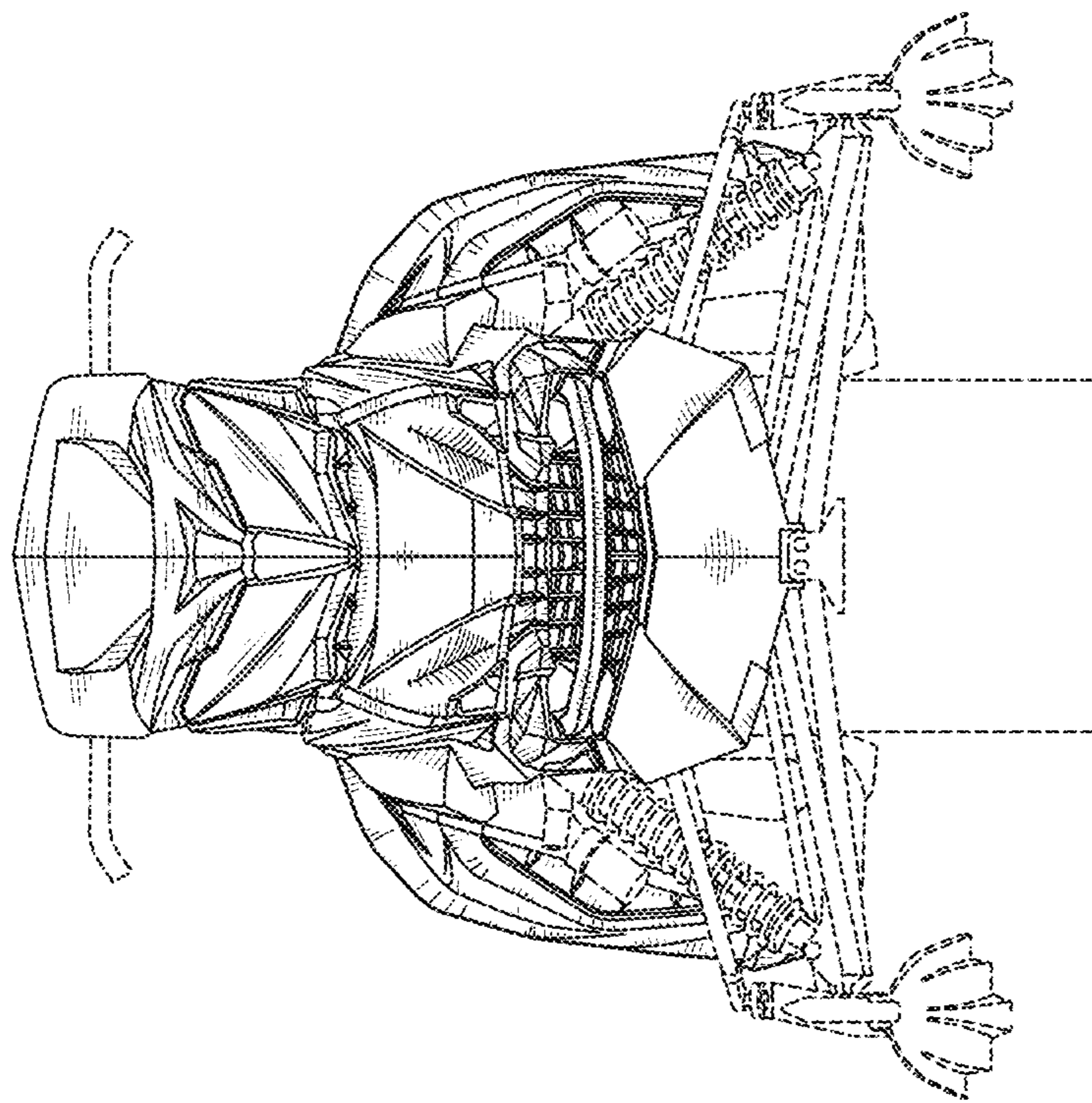
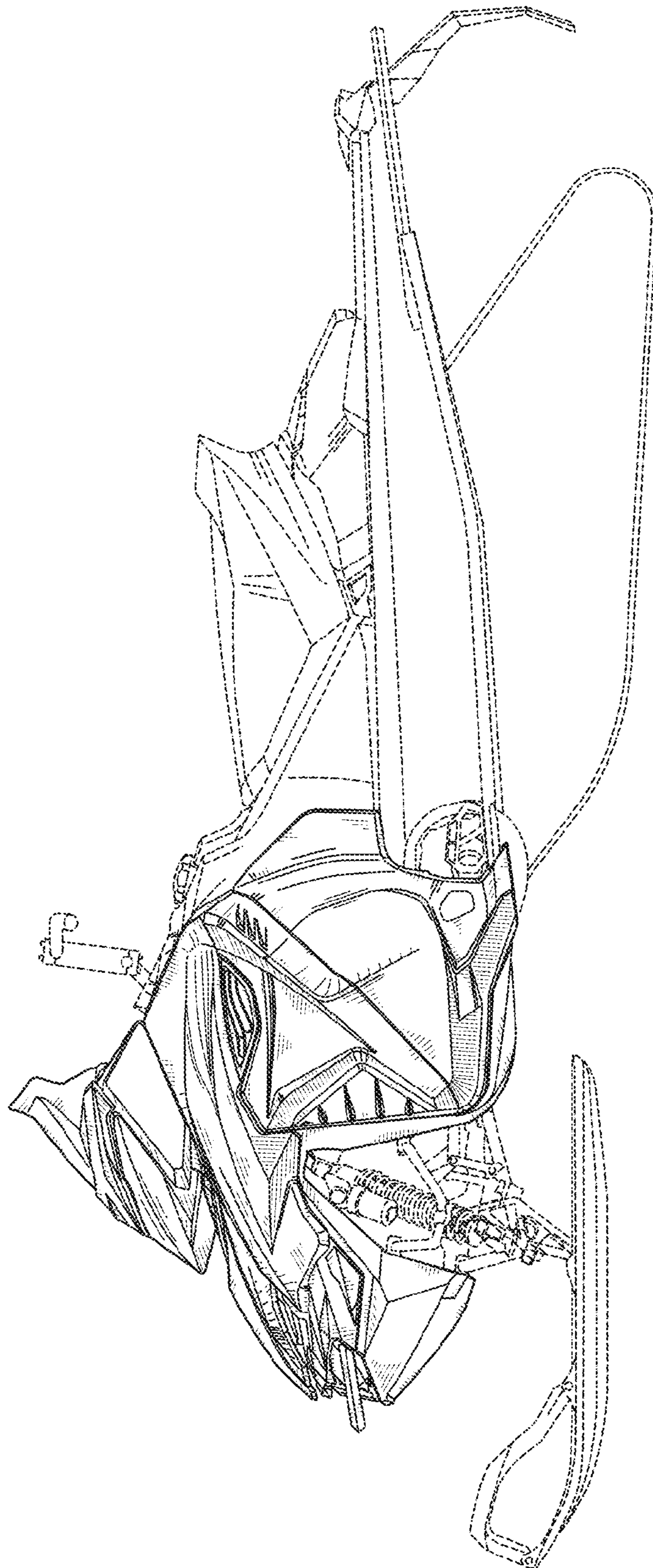
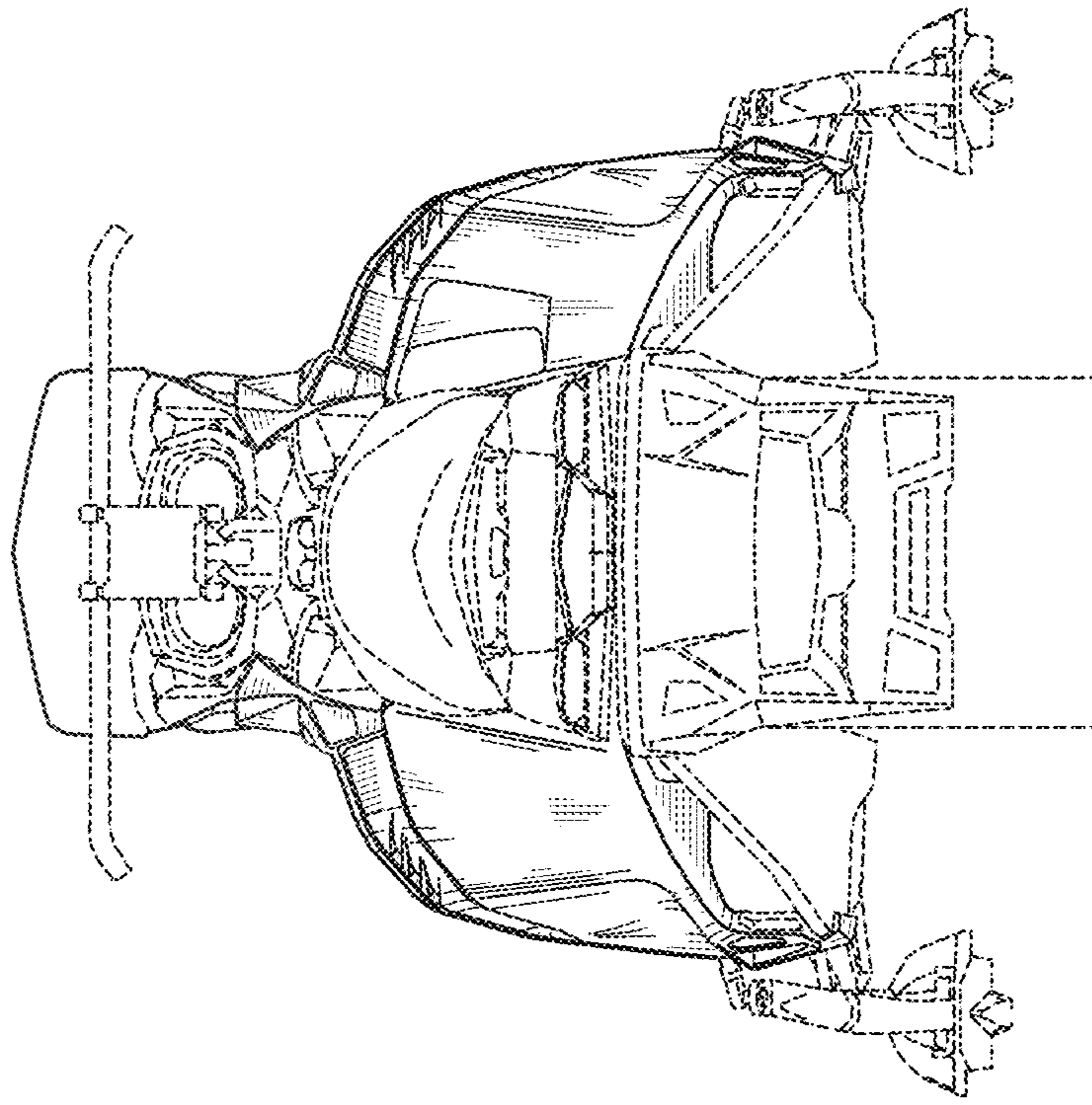


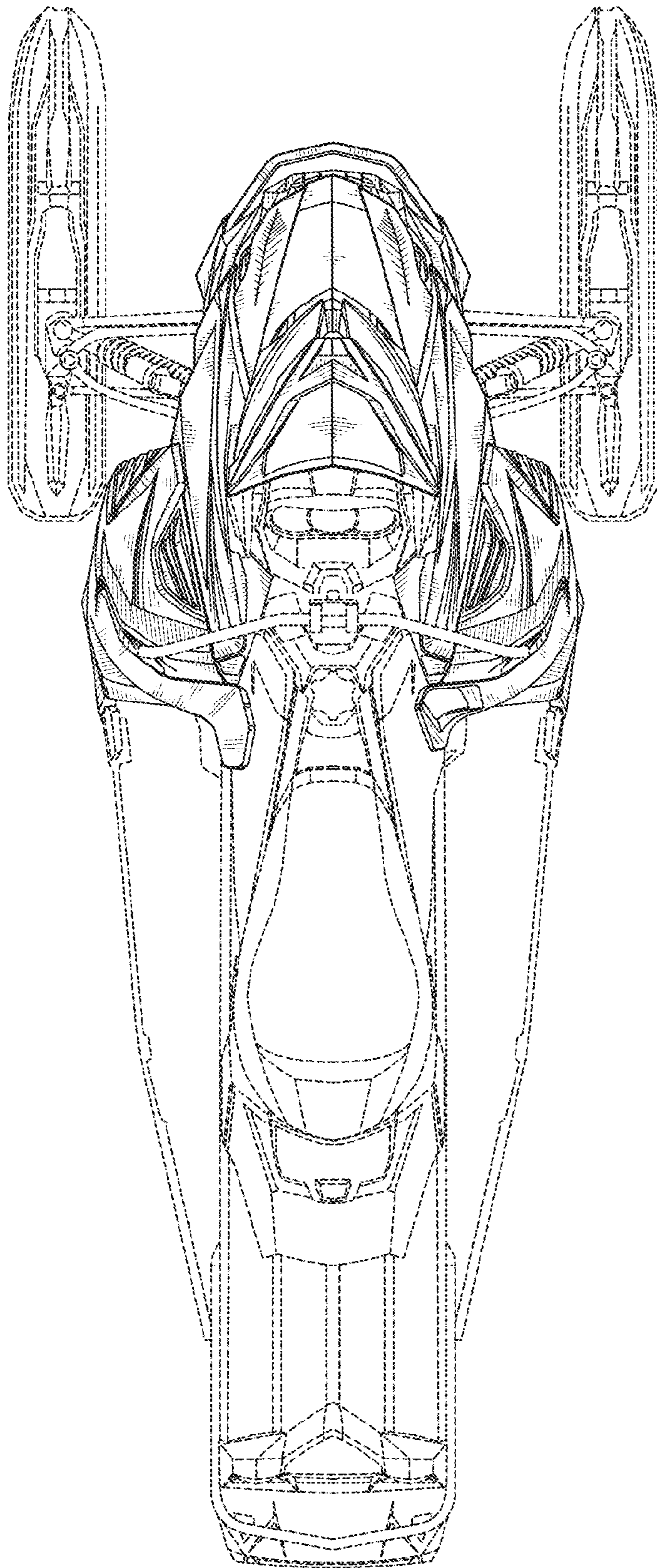
FIG.4



**FIG. 5**

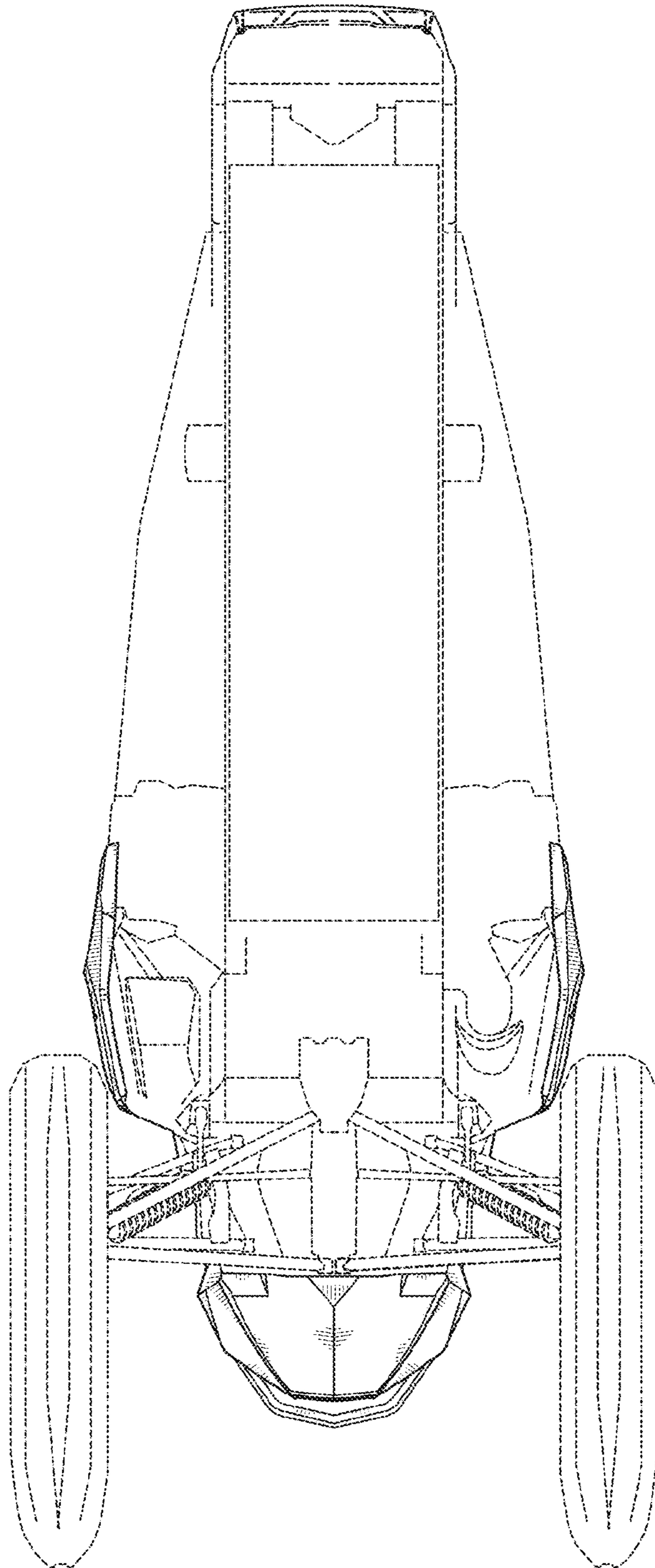


**FIG. 6**



**FIG. 7**





**FIG. 8**