



US00D723974S

(12) **United States Design Patent**  
**de Sade**

(10) **Patent No.:** **US D723,974 S**  
(45) **Date of Patent:** **\*\* Mar. 10, 2015**

(54) **CLASP MEMBER**

(71) Applicant: **Cartier Creation Studio S.A.**, Geneva (CH)

(72) Inventor: **Donatien de Sade**, Paris (FR)

(73) Assignee: **Cartier Creation Studio S.A.** (CH)

(\*\*) Term: **14 Years**

(21) Appl. No.: **29/481,175**

(22) Filed: **Feb. 3, 2014**

(30) **Foreign Application Priority Data**

Aug. 2, 2013 (EM) ..... 002286336

(51) **LOC (10) Cl.** ..... **02-07**

(52) **U.S. Cl.**  
USPC ..... **D11/200**

(58) **Field of Classification Search**  
CPC ..... A44B 11/26  
USPC ..... D11/1-2, 200-201, 206-210, 214-218;  
24/163 R, 169-171, 173, 177-179, 191,  
24/194-195, 197, 200, 614-616, 625,  
24/198; D8/349

See application file for complete search history.

(56) **References Cited**

U.S. PATENT DOCUMENTS

D111,057 S \* 8/1938 Anderson ..... D11/213  
D211,314 S \* 6/1968 Beach ..... D11/218  
D444,795 S \* 7/2001 Wakasugi et al. .... D15/7  
D461,733 S \* 8/2002 Iida ..... D10/85  
D699,151 S \* 2/2014 Kolasa ..... D11/200

\* cited by examiner

*Primary Examiner* — Ralf Seifert

(74) *Attorney, Agent, or Firm* — Cantor Colburn LLP

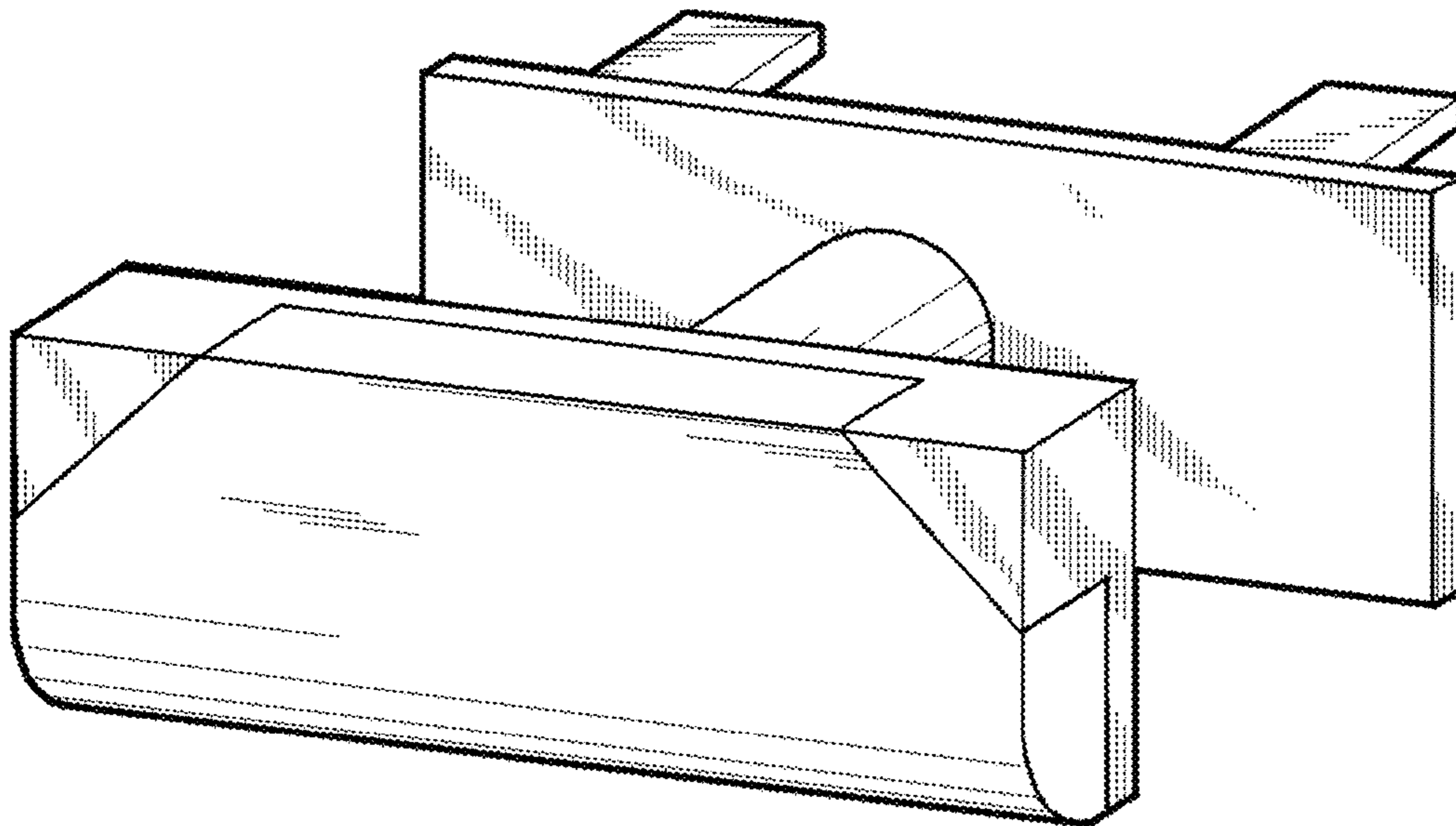
(57) **CLAIM**

I claim, the ornamental design for a clasp member, as shown and described.

**DESCRIPTION**

FIG. 1 is a front elevation view of a clasp member, showing my new design;  
FIG. 2 is a rear elevation view thereof;  
FIG. 3 is a side elevation view thereof;  
FIG. 4 is an opposite side elevation view thereof  
FIG. 5 is a top plan view thereof;  
FIG. 6 is a bottom plan view thereof; and,  
FIG. 7 is a perspective view thereof.

**1 Claim, 7 Drawing Sheets**



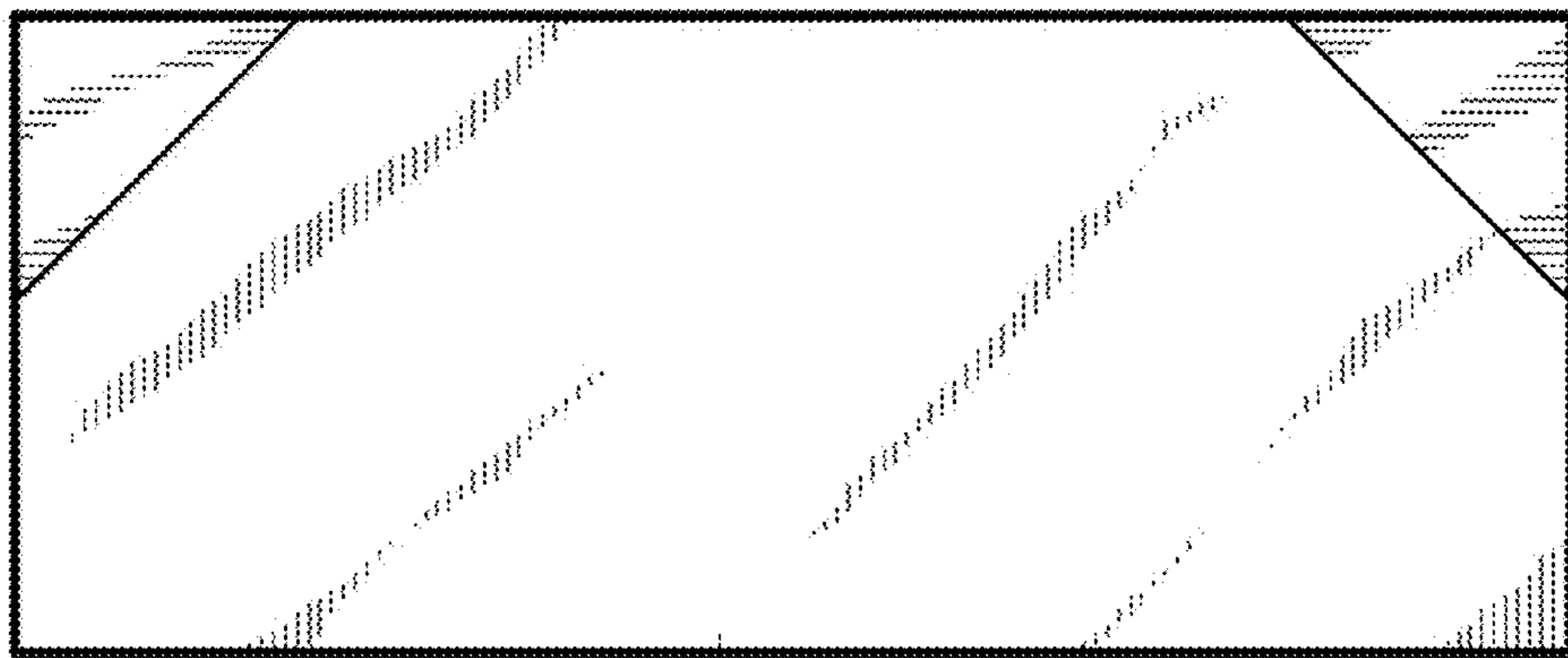


FIG. 1

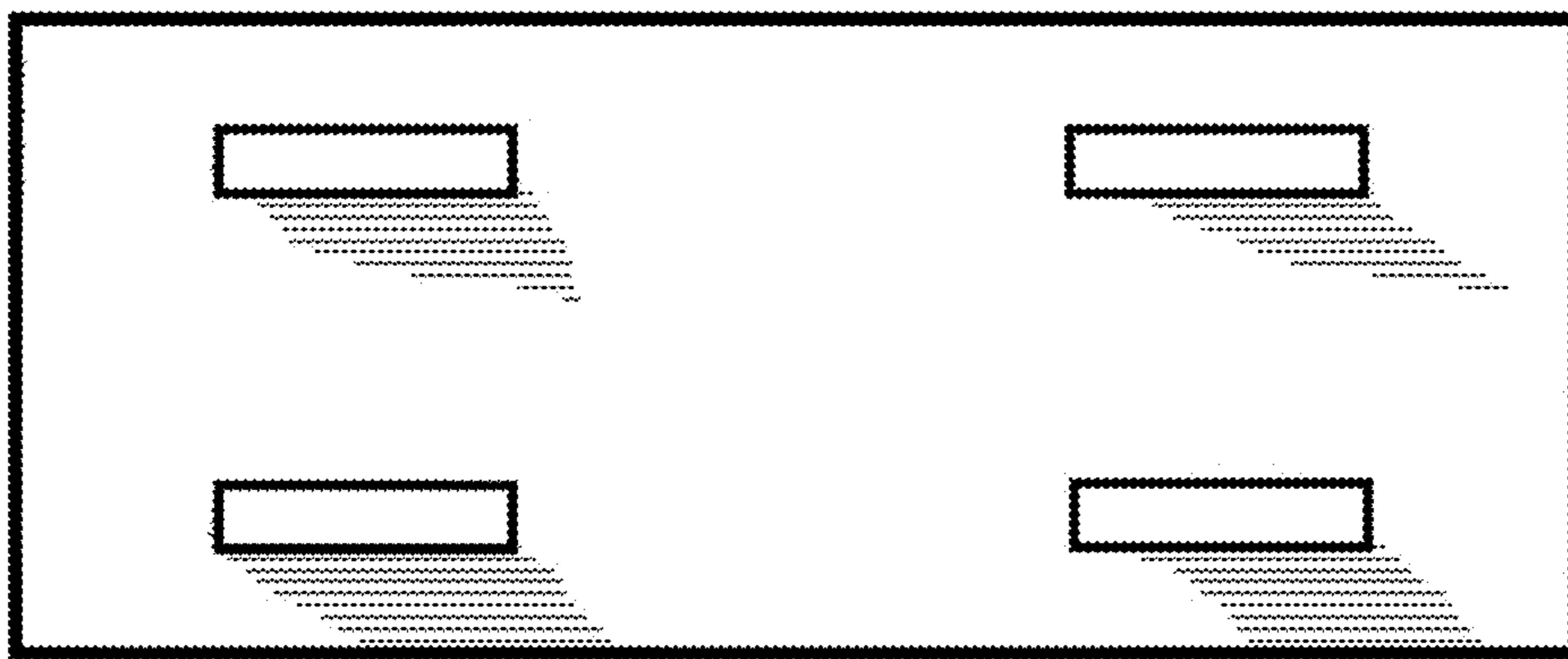


FIG.2

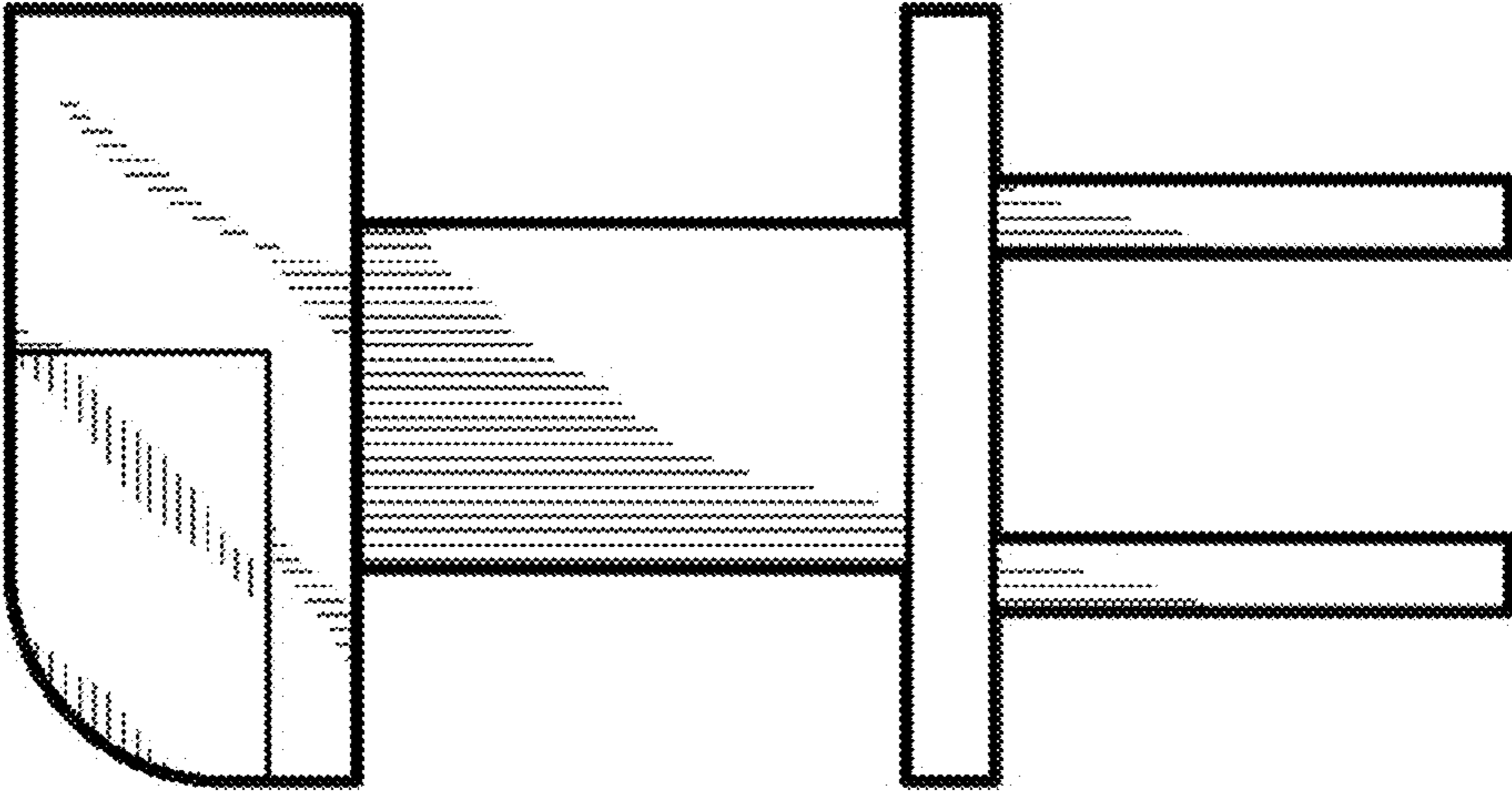


FIG.3

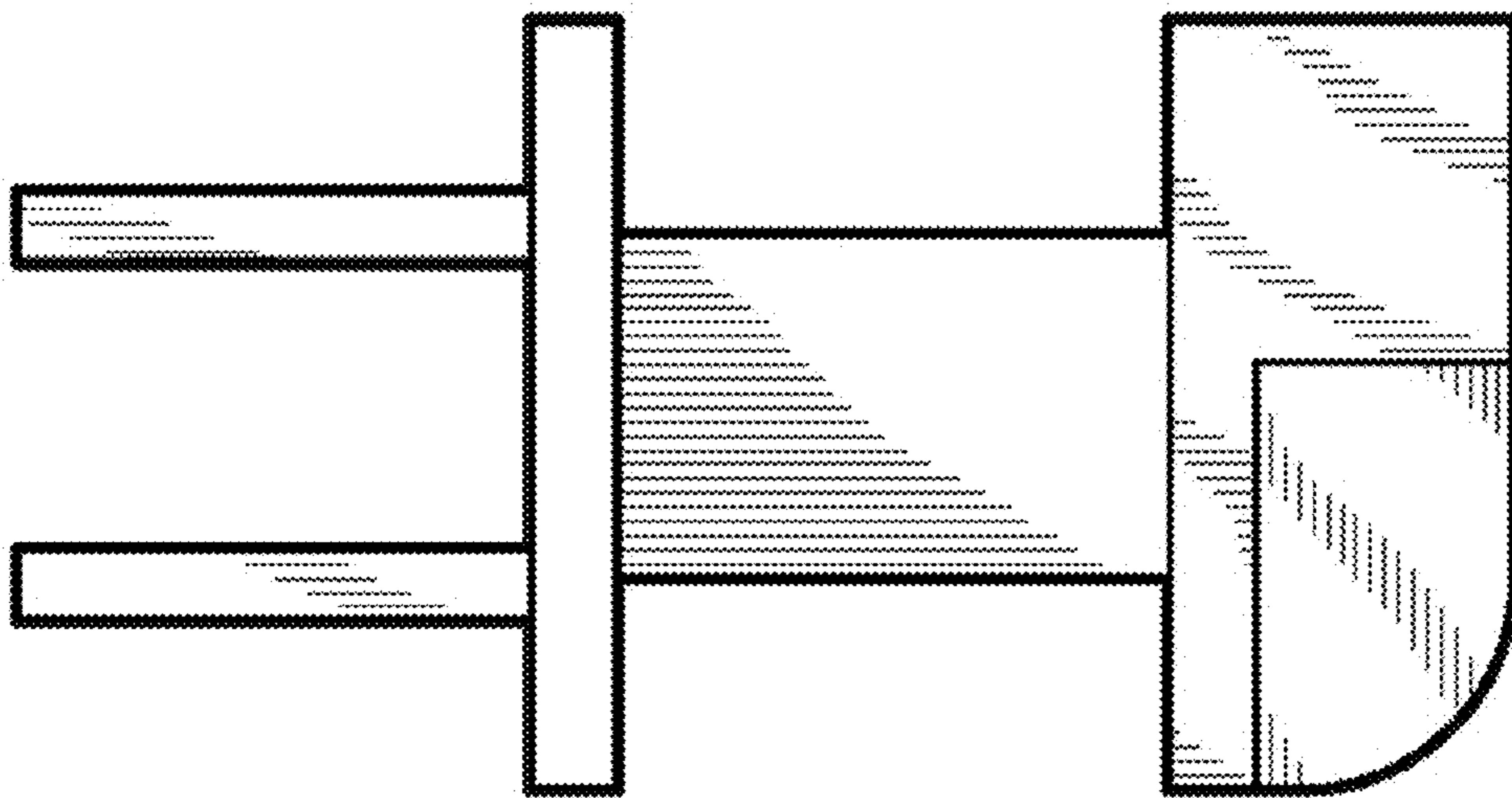


FIG.4

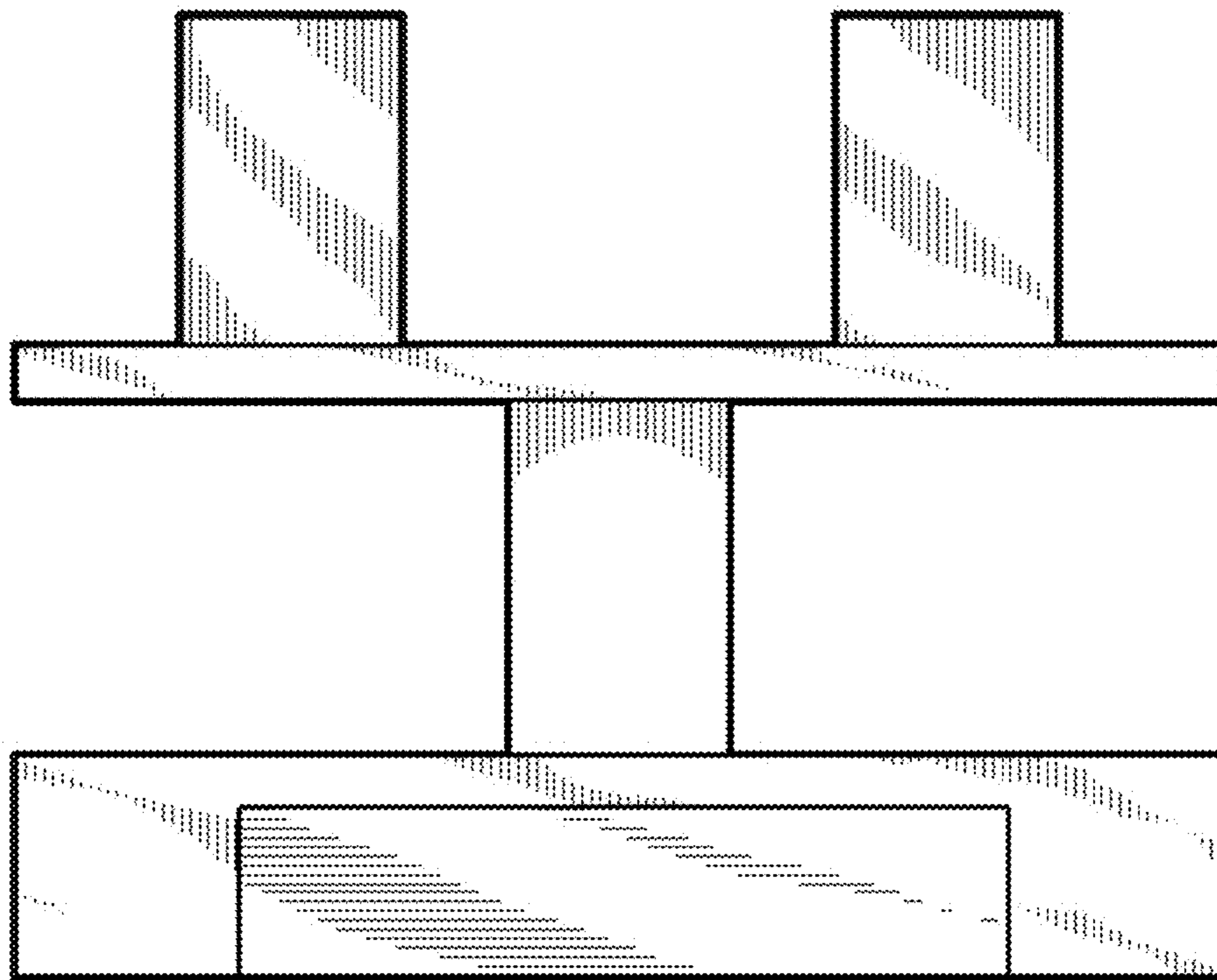


FIG.5

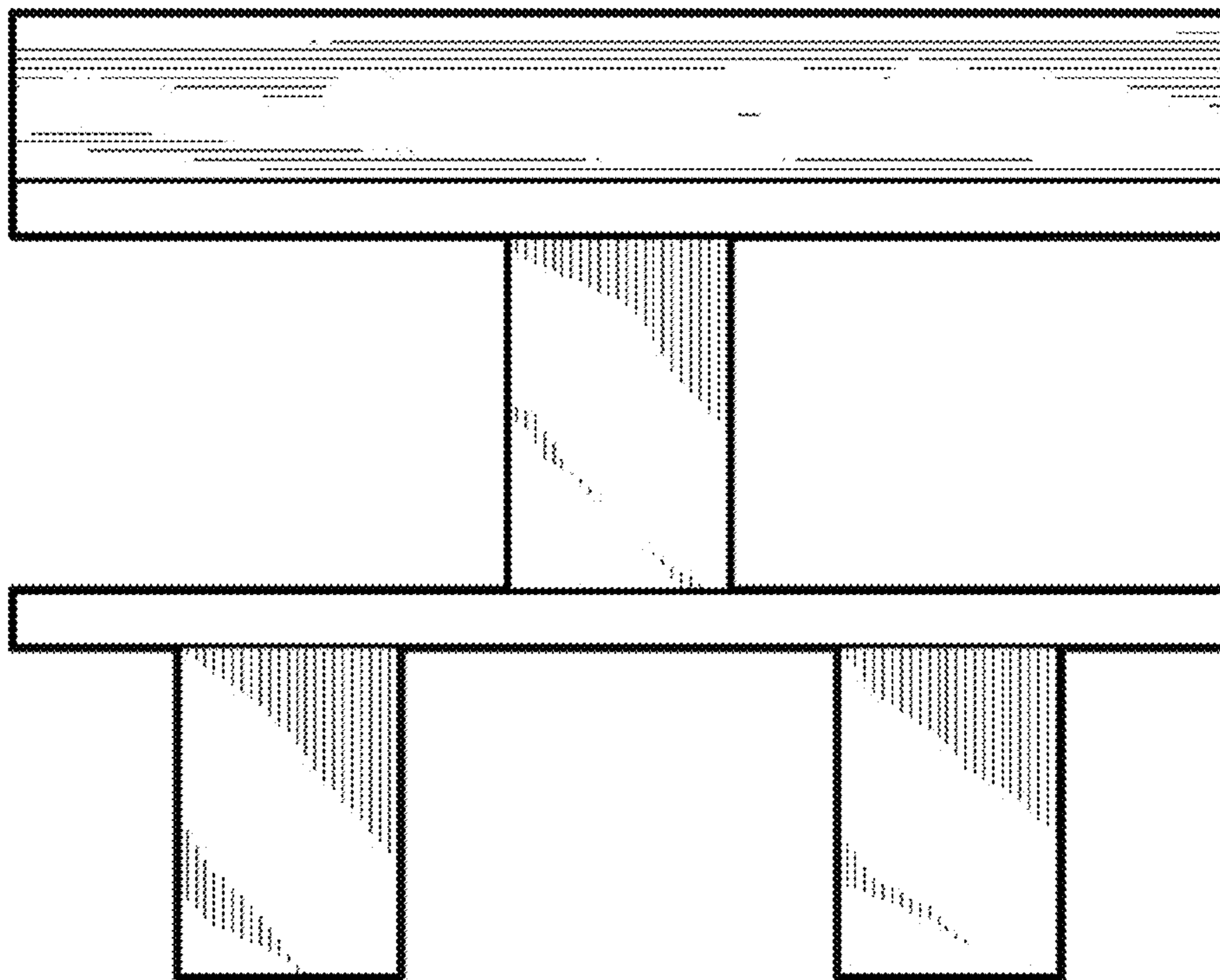


FIG.6

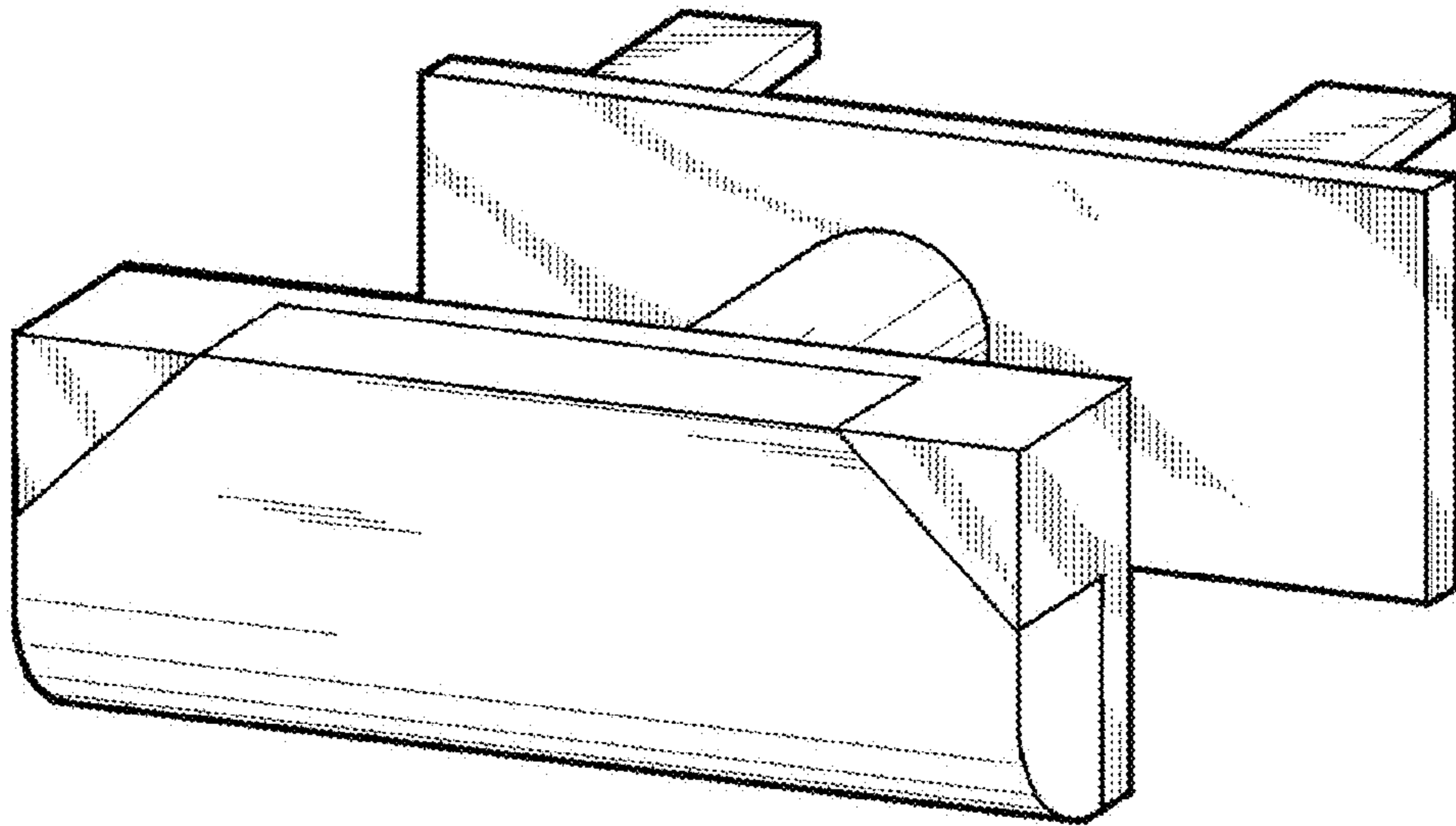


FIG. 7