



US00D723972S

(12) **United States Design Patent**
Young

(10) **Patent No.:** **US D723,972 S**
(45) **Date of Patent:** **** Mar. 10, 2015**

- (54) **FLOWER BOX**
- (71) Applicant: **Scott Young**, Ladoga, IN (US)
- (72) Inventor: **Scott Young**, Ladoga, IN (US)
- (**) Term: **14 Years**
- (21) Appl. No.: **29/449,595**
- (22) Filed: **Mar. 15, 2013**
- (51) **LOC (10) Cl.** **11-02**
- (52) **U.S. Cl.**
USPC **D11/156**
- (58) **Field of Classification Search**
USPC D6/300, 306, 403–405, 556–558;
D7/300, 500, 509; D8/1;
D11/143–156, 164; D25/100;
D26/9–11, 16, 19; D34/1, 2, 4–6;
D99/5, 19; 47/17, 32.4, 32.5, 32.7, 33,
47/39, 41.01, 41.1, 41.11–41.15, 44–46,
47/62, 63, 65.5, 65.9, 66.1, 66.2, 66.6,
47/66.7, 67–71
See application file for complete search history.

(56) **References Cited**

U.S. PATENT DOCUMENTS

2,261,326	A *	11/1941	Atkisson et al.	47/41.13
3,106,043	A *	10/1963	Ferrand	47/81
3,164,343	A	1/1965	Cucullo		
3,302,324	A	2/1967	MacDonald		
3,326,504	A	6/1967	Lawrence et al.		
4,640,045	A	2/1987	Nesbitt et al.		
5,072,542	A	12/1991	Quackenbush		
5,368,266	A	11/1994	Allen		
D397,958	S *	9/1998	Ruthenberg	D11/156
6,134,828	A	10/2000	DiFillipo		
D435,230	S	12/2000	Spiegel		

6,209,260	B1	4/2001	Surette		
D446,157	S *	8/2001	Glenn	D11/156
D468,663	S *	1/2003	Fan	D11/156
6,564,506	B1	5/2003	Leger		
6,688,040	B1 *	2/2004	Yang	47/41.1
D530,919	S *	10/2006	Snell	D3/304
7,229,056	B2 *	6/2007	Rosser et al.	248/311.2
7,640,694	B1	1/2010	Cantrell		
2002/0139047	A1 *	10/2002	Haddad et al.	47/66.1
2006/0032131	A1 *	2/2006	Marchioro	47/67
2013/0318871	A1 *	12/2013	Street et al.	47/65.7

* cited by examiner

Primary Examiner — Robert M Spear
Assistant Examiner — Marissa J Cash
(74) *Attorney, Agent, or Firm* — Douglas G. Gallagher;
Bingham Greenebaum Doll LLP

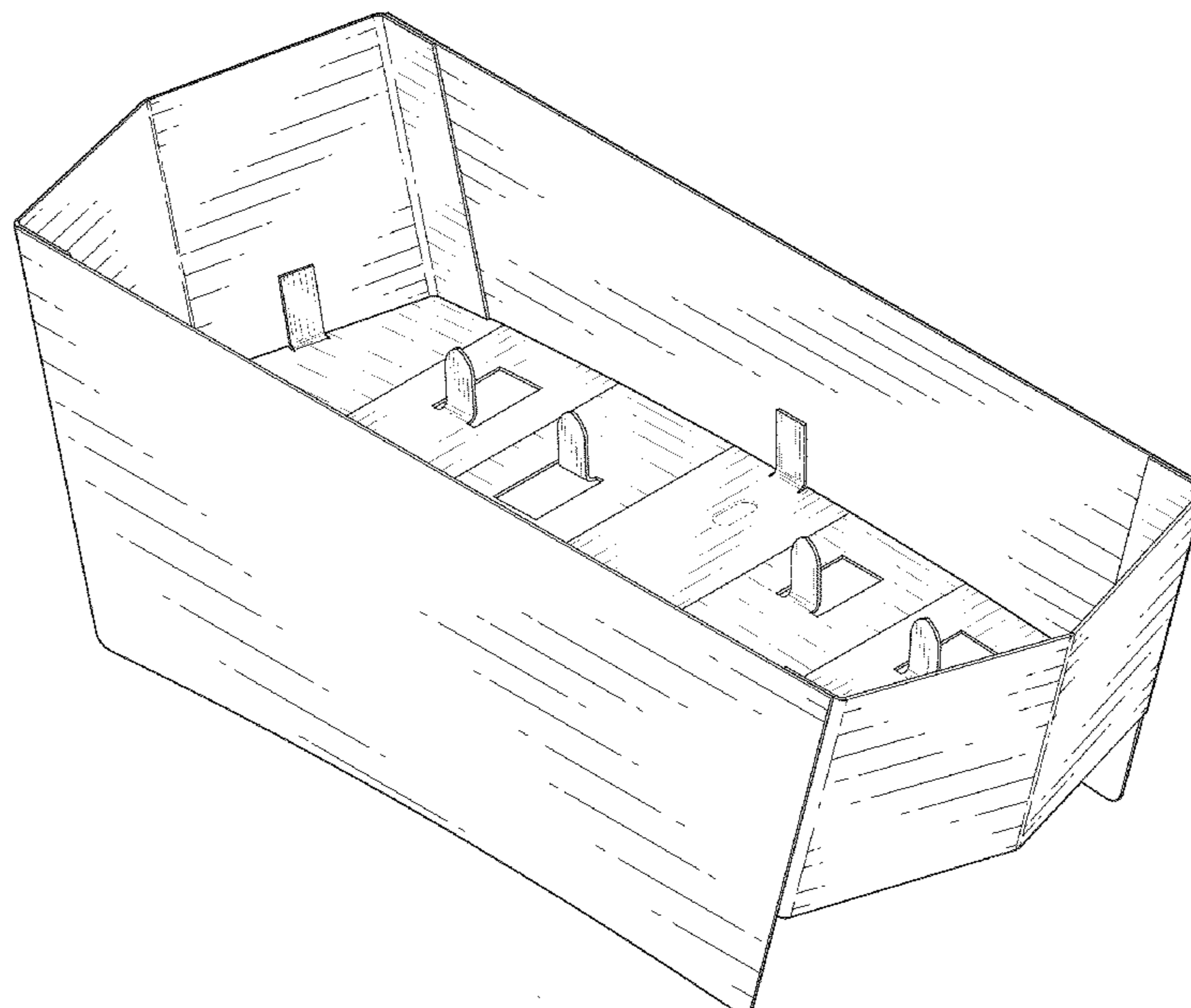
(57) **CLAIM**

I claim the ornamental design for a flower box, as shown and described.

DESCRIPTION

FIG. 1 is a perspective view showing a first embodiment of my new design;
FIG. 2 is a top view thereof;
FIG. 3 is a bottom view thereof;
FIG. 4 is a left side view thereof;
FIG. 5 is a right side view thereof;
FIG. 6 is a front view thereof;
FIG. 7 is a rear view thereof;
FIG. 8 is a sectional view thereof taken along line 8-8 of FIG. 2; and,
FIG. 9 is a perspective view thereof depicting my new design in an example environment.
The broken lines shown on the drawings depict unclaimed subject matter that illustrates a possible environment of use.

1 Claim, 6 Drawing Sheets



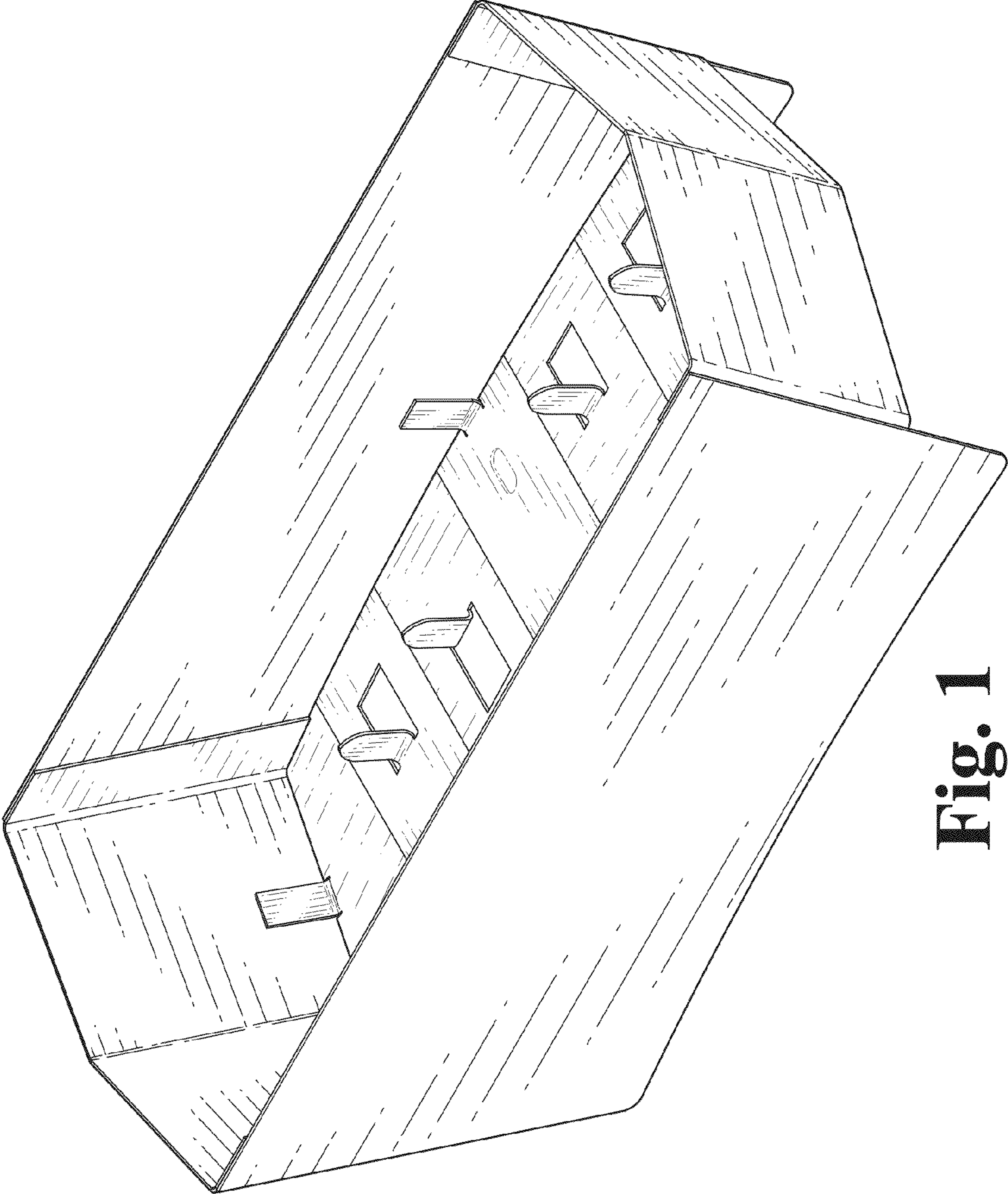


Fig. 1

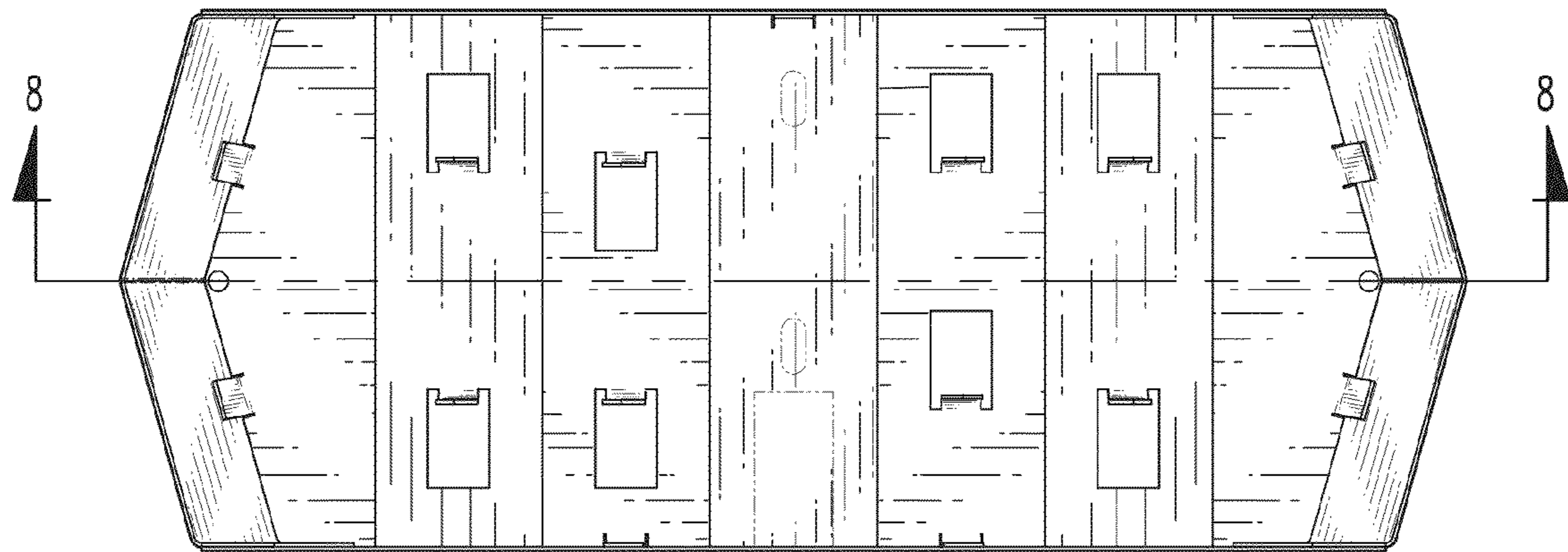


Fig. 2

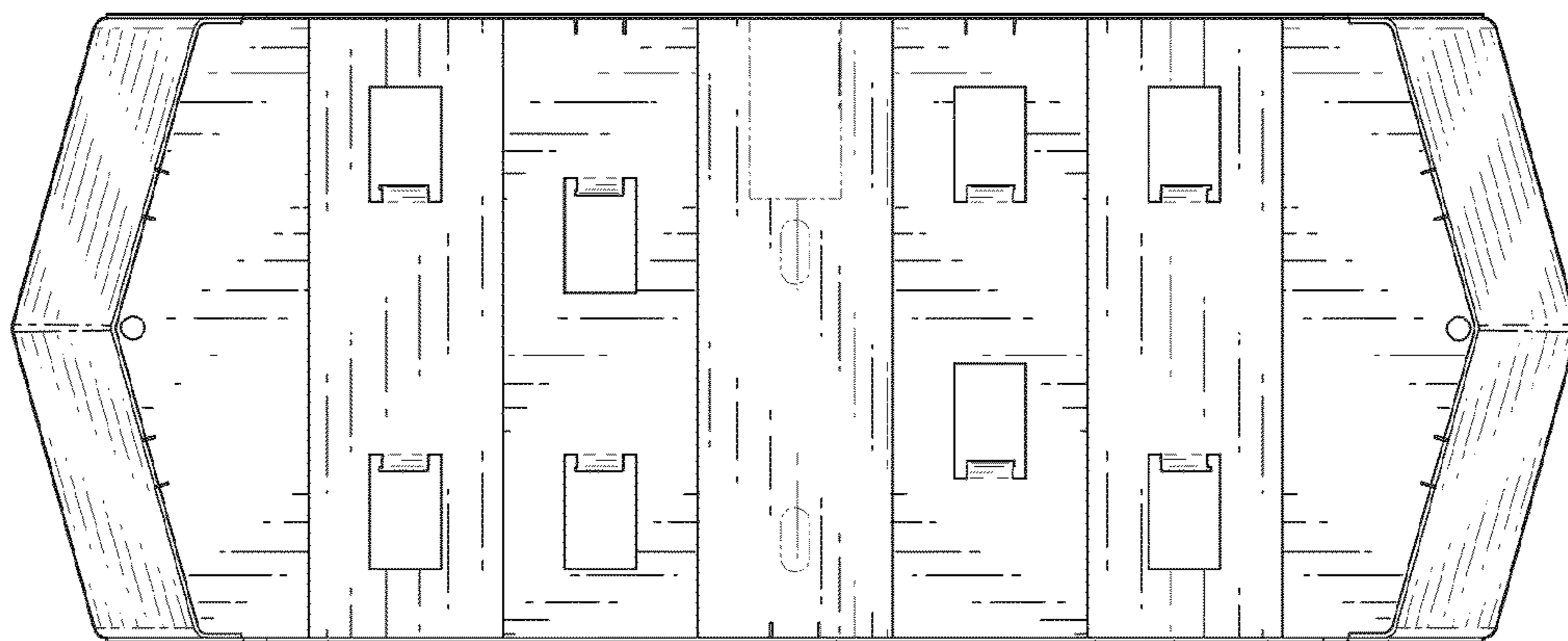


Fig. 3

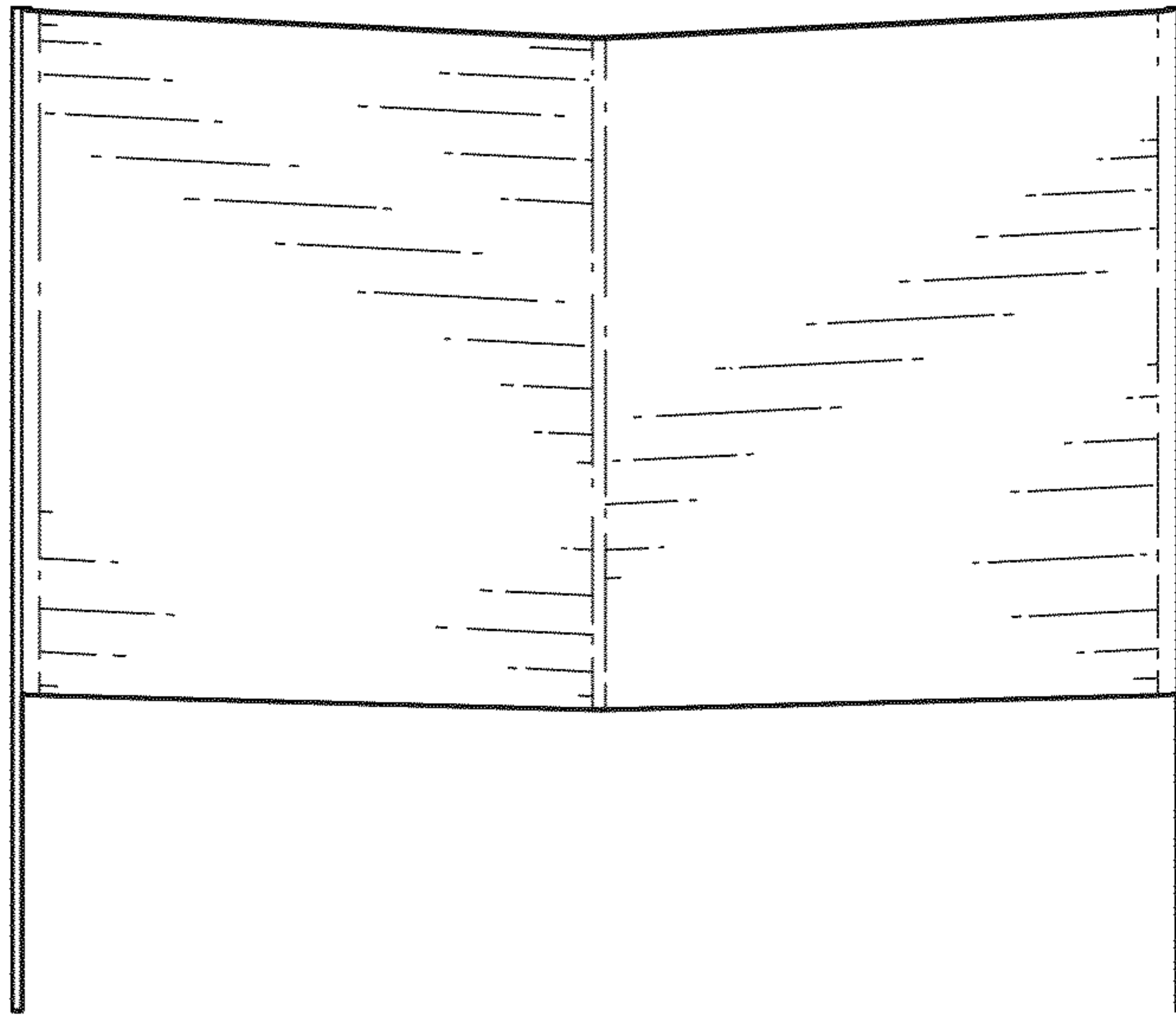


Fig. 4

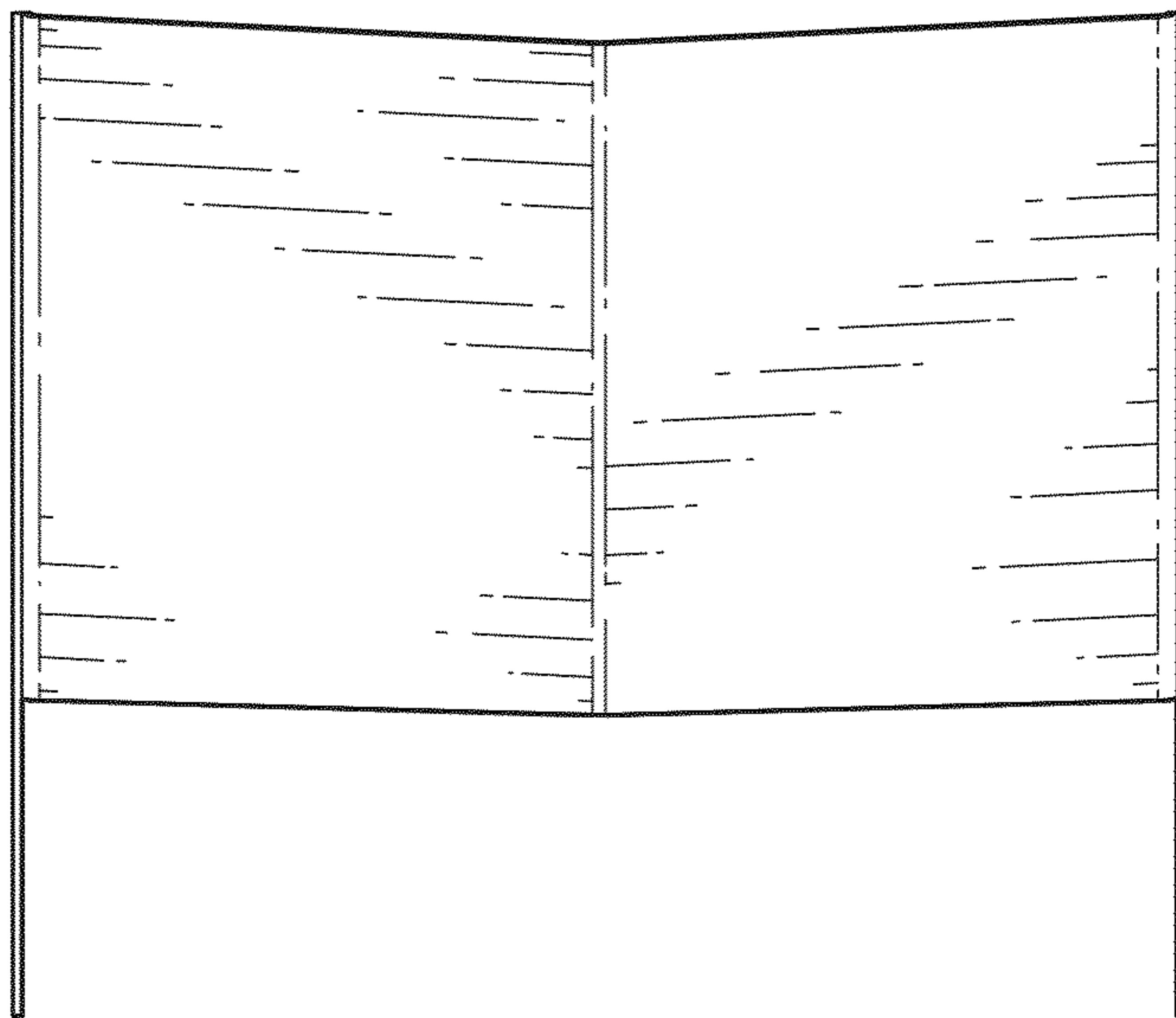


Fig. 5

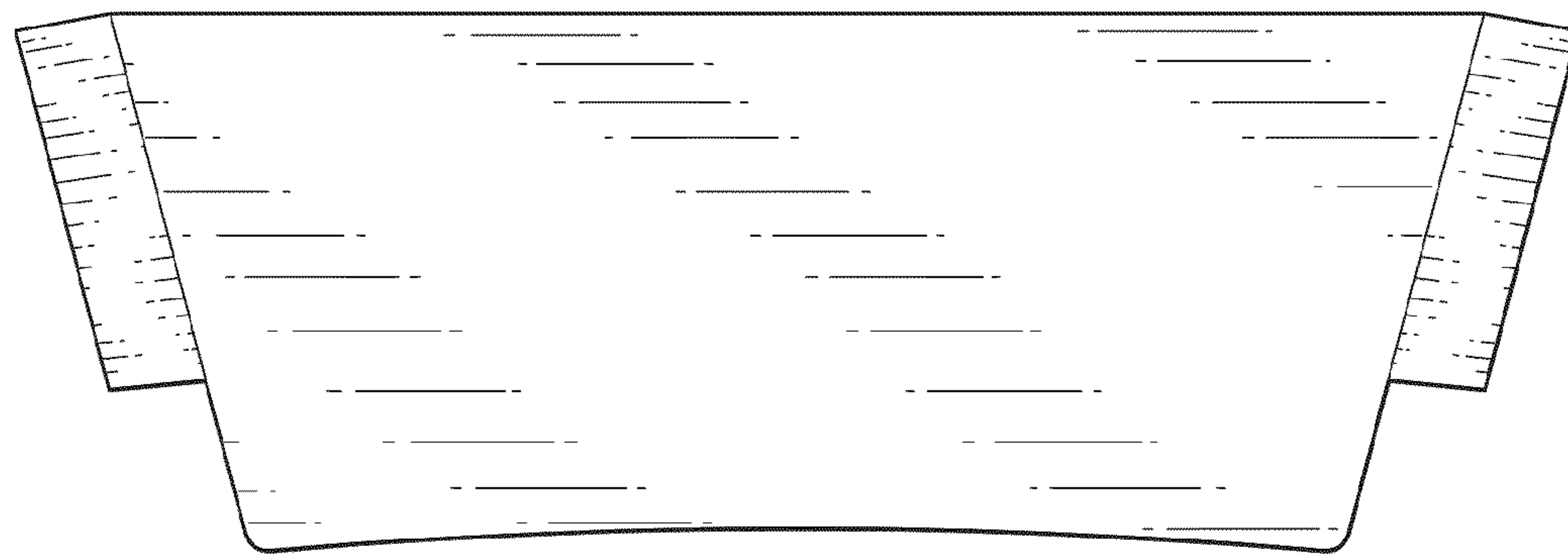


Fig. 6

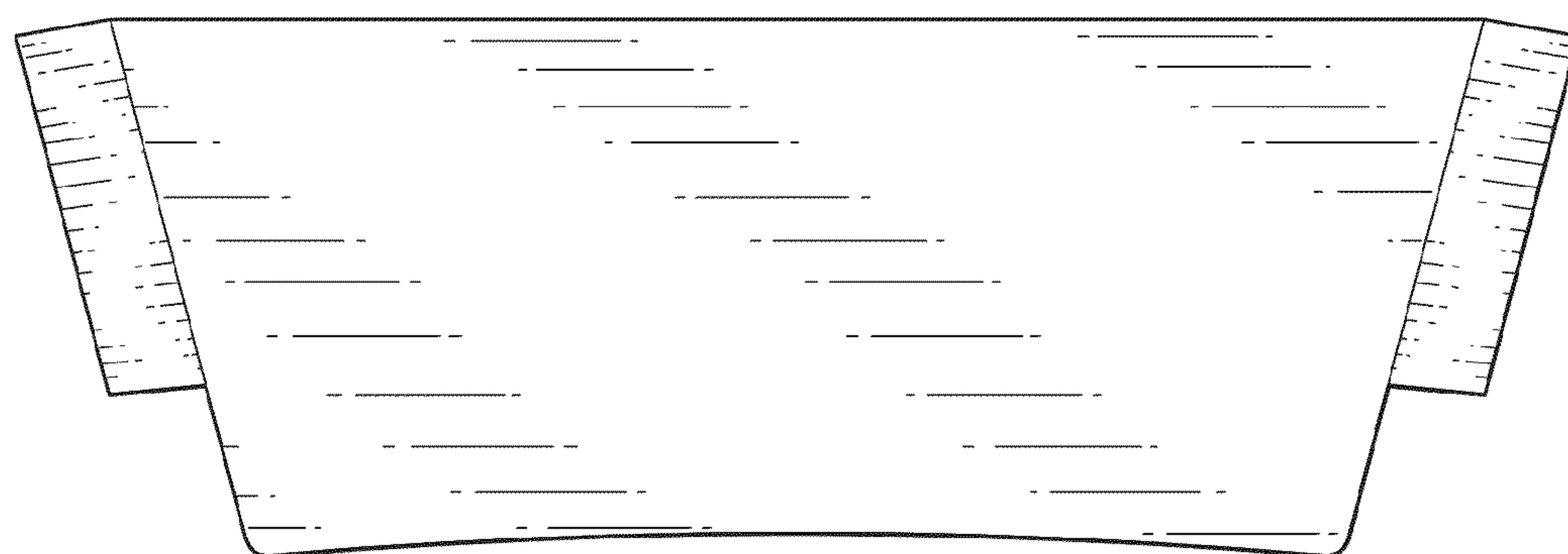


Fig. 7

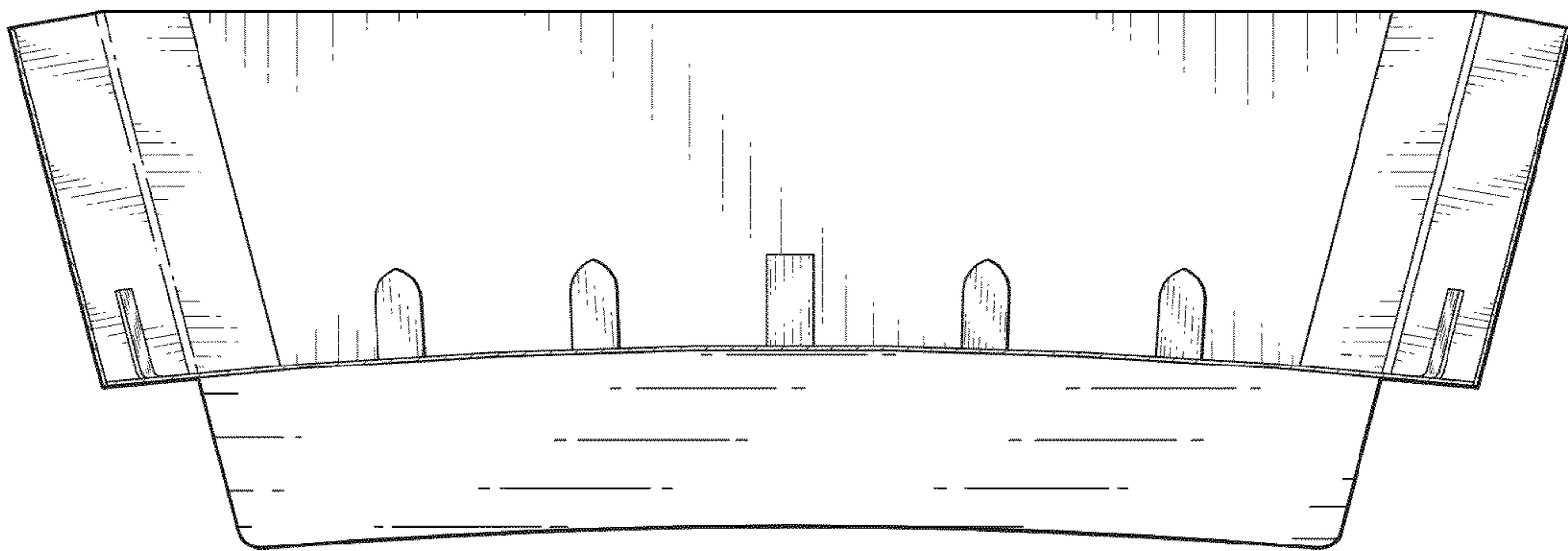


Fig. 8

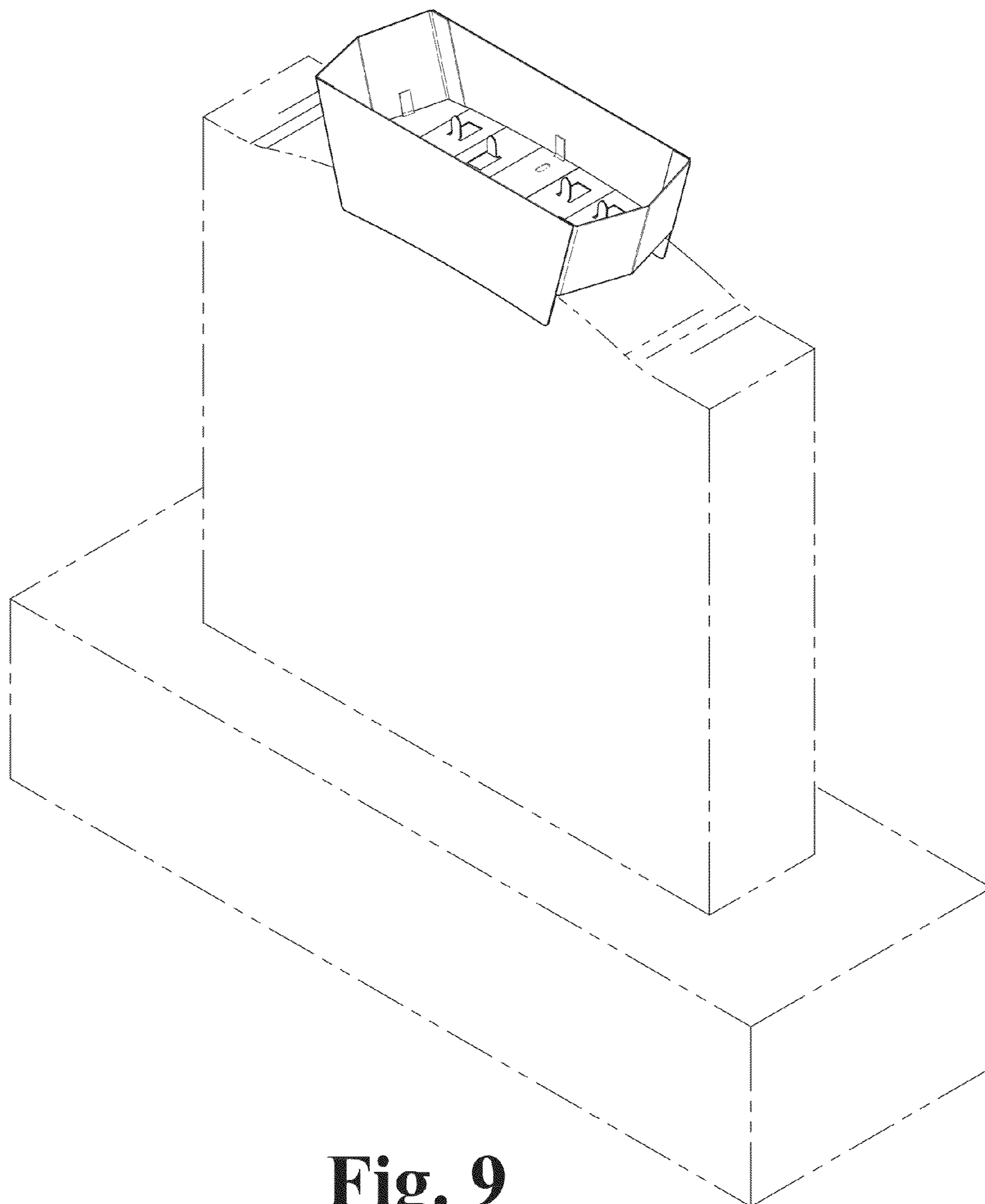


Fig. 9