



US00D723961S

(12) **United States Design Patent**
Treadwell et al.

(10) **Patent No.:** **US D723,961 S**
(45) **Date of Patent:** **** Mar. 10, 2015**

(54) **SENSOR**

(56) **References Cited**

(71) Applicants: **Simon Treadwell**, Toronto (CA);
Sabolch Feigler, Mississauga (CA);
Marc Hoffknecht, Newmarket (CA)

(72) Inventors: **Simon Treadwell**, Toronto (CA);
Sabolch Feigler, Mississauga (CA);
Marc Hoffknecht, Newmarket (CA)

(73) Assignee: **OSRAM SYLVANIA Inc.**, Danvers,
MA (US)

(**) Term: **14 Years**

(21) Appl. No.: **29/486,431**

(22) Filed: **Mar. 28, 2014**

(51) **LOC (10) Cl.** **10-05**

(52) **U.S. Cl.**
USPC **D10/106.5**

(58) **Field of Classification Search**
USPC D10/106.5, 106.6, 114.2, 70;
340/693.5; 446/15

See application file for complete search history.

U.S. PATENT DOCUMENTS

D360,156	S	*	7/1995	Fenne	D10/114.2
5,620,351	A	*	4/1997	Ho	446/15
D401,175	S	*	11/1998	Bender et al.	D10/106.6
D404,326	S	*	1/1999	Bender et al.	D10/106.6
D647,413	S	*	10/2011	Trine et al.	D10/106.6
D662,846	S	*	7/2012	Ni et al.	D10/106.6
D664,456	S	*	7/2012	Trine et al.	D10/70
2007/0229297	A1	*	10/2007	Leonard et al.	340/693.5

* cited by examiner

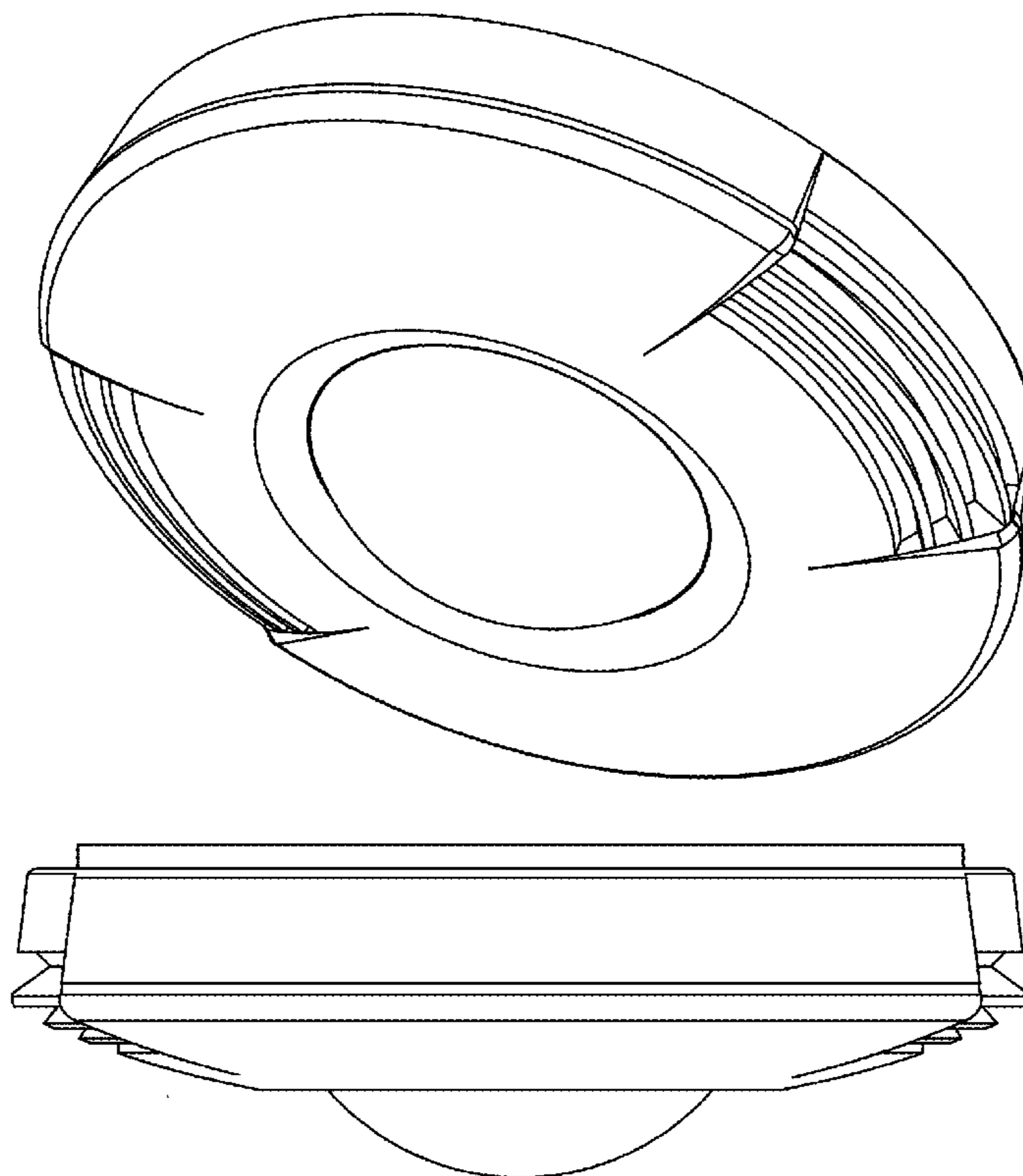
Primary Examiner — George D Kirschbaum
(74) *Attorney, Agent, or Firm* — Shaun P. Montana

(57) **CLAIM**
The ornamental design for a sensor, as shown and described.

DESCRIPTION

FIG. 1 is a perspective view of an embodiment of the ornamental design of a sensor.
FIG. 2 is a bottom view of an embodiment of the ornamental design of the sensor of FIG. 1.
FIG. 3 is a top view of an embodiment of the ornamental design of the sensor of FIG. 1.
FIG. 4 is a side view of an embodiment of the ornamental design of the sensor of FIG. 1; and,
FIG. 5 is a front/back view of an embodiment of the ornamental design of the sensor of FIG. 1.

1 Claim, 4 Drawing Sheets



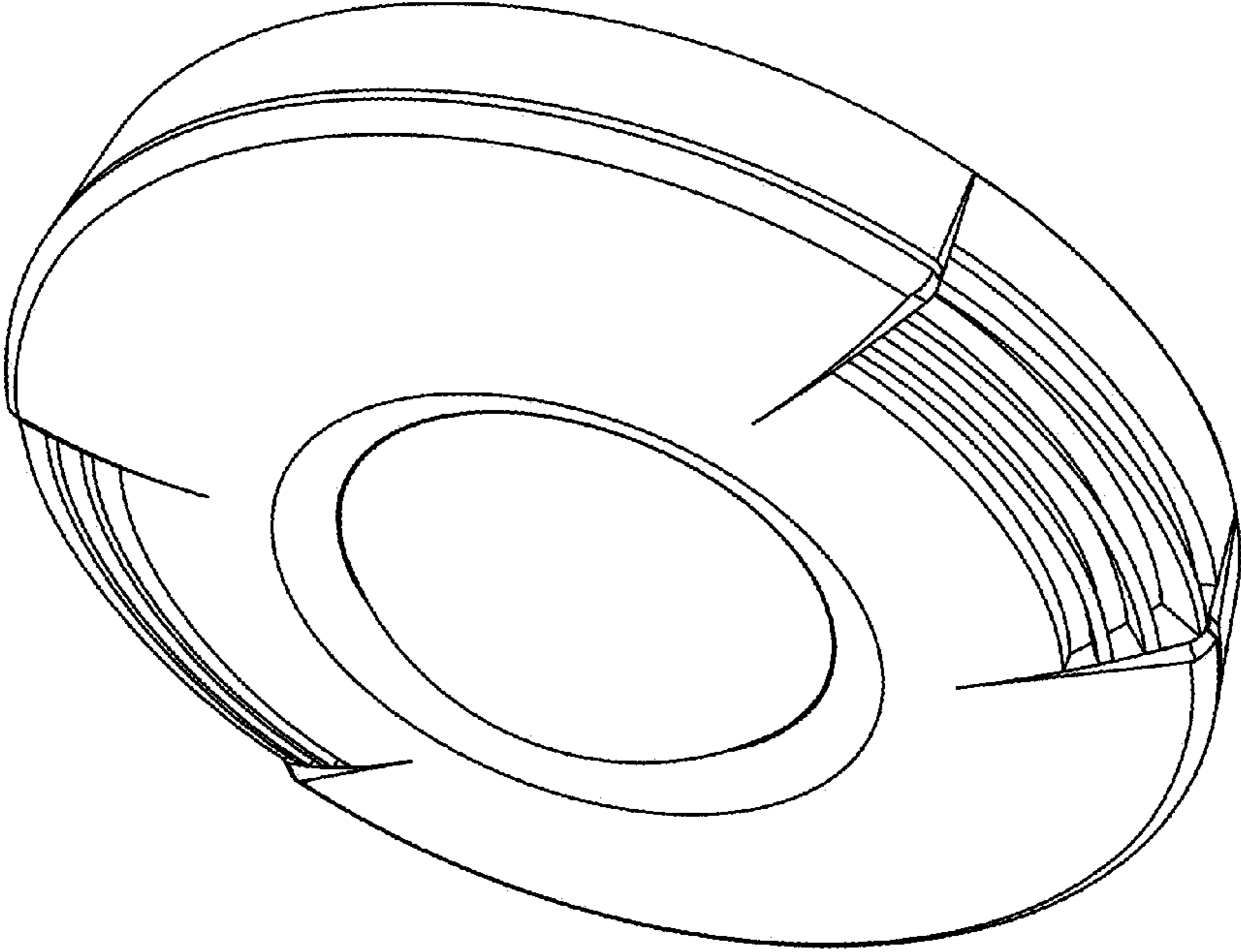


FIG. 1

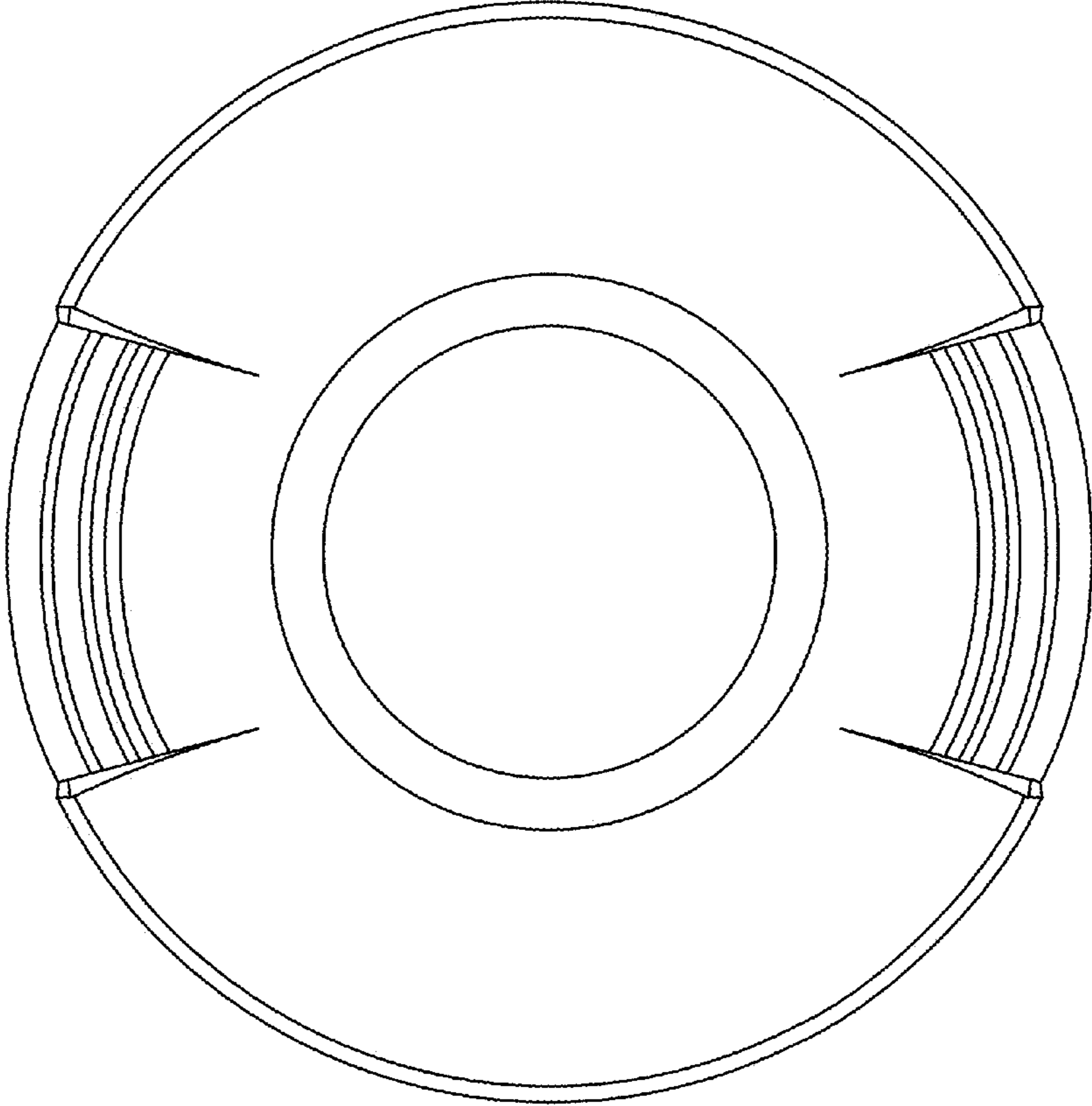


FIG. 2

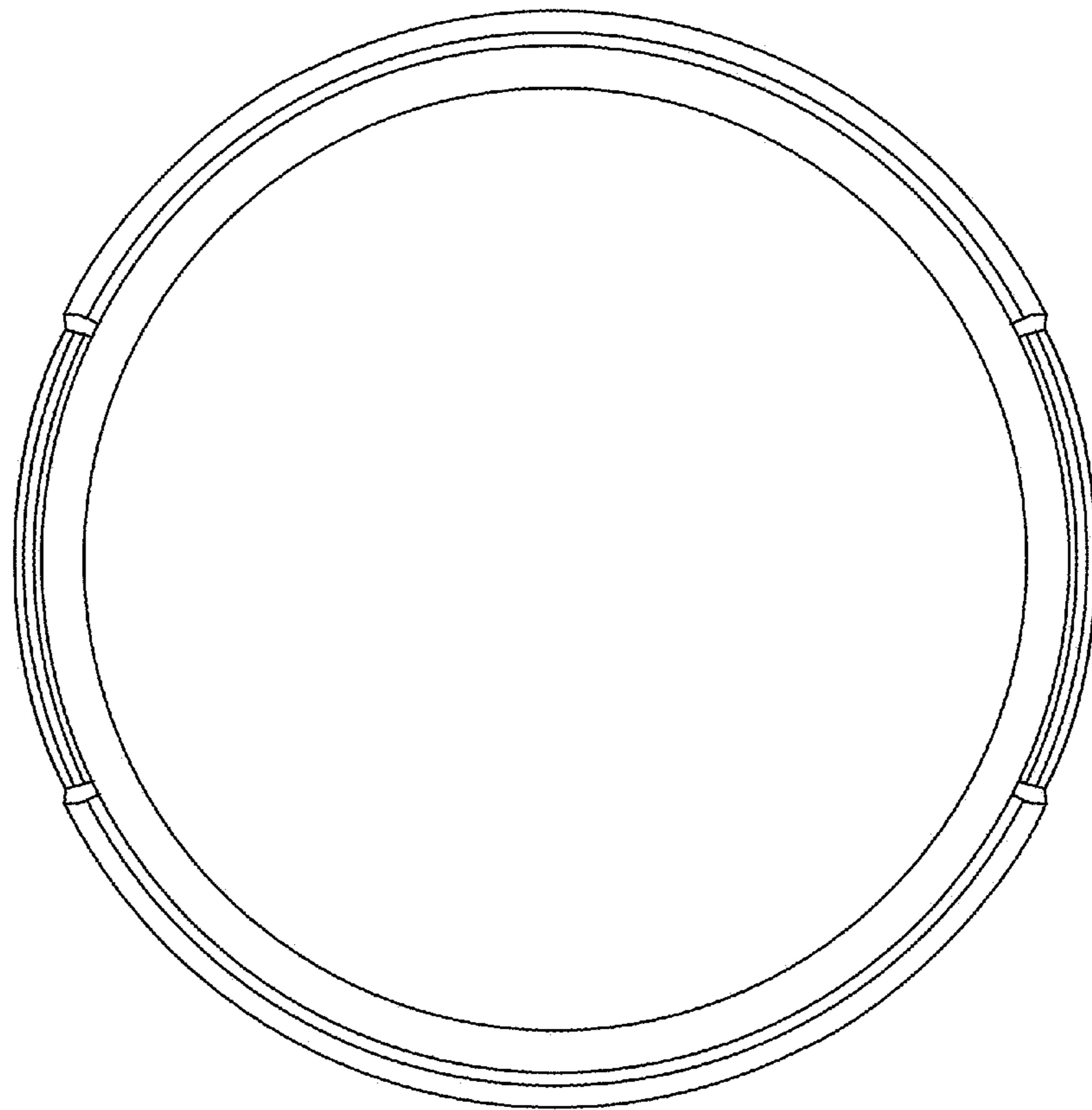


FIG. 3

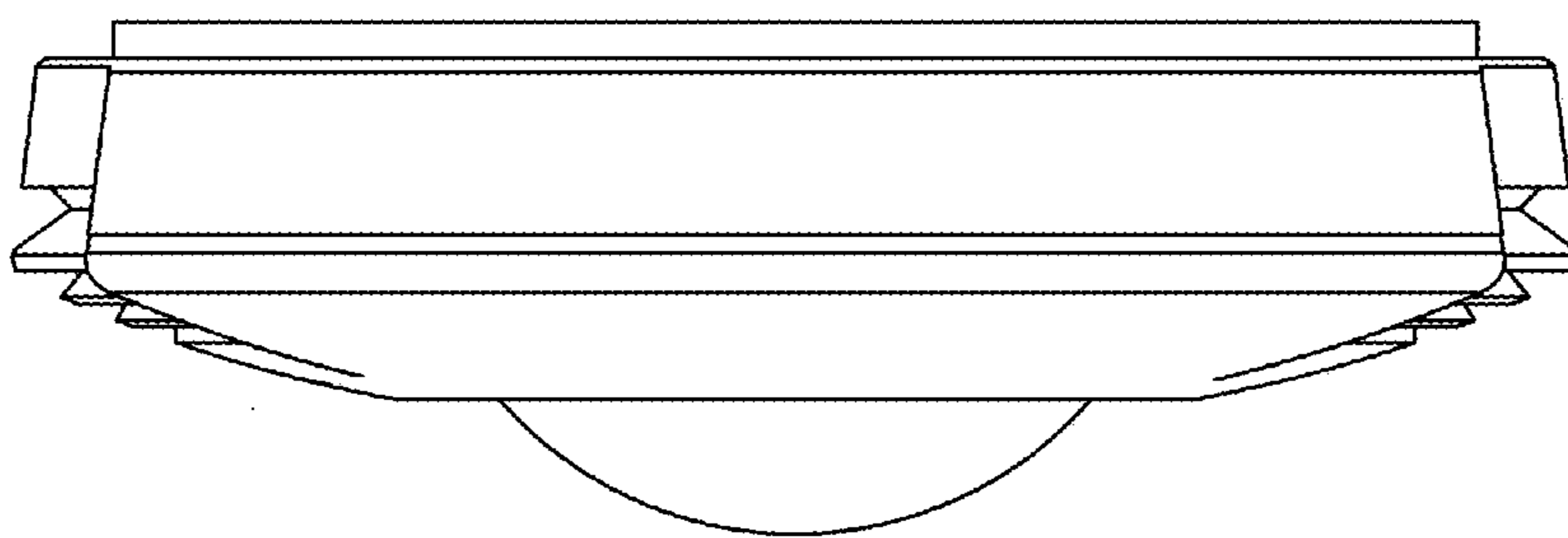


FIG. 4

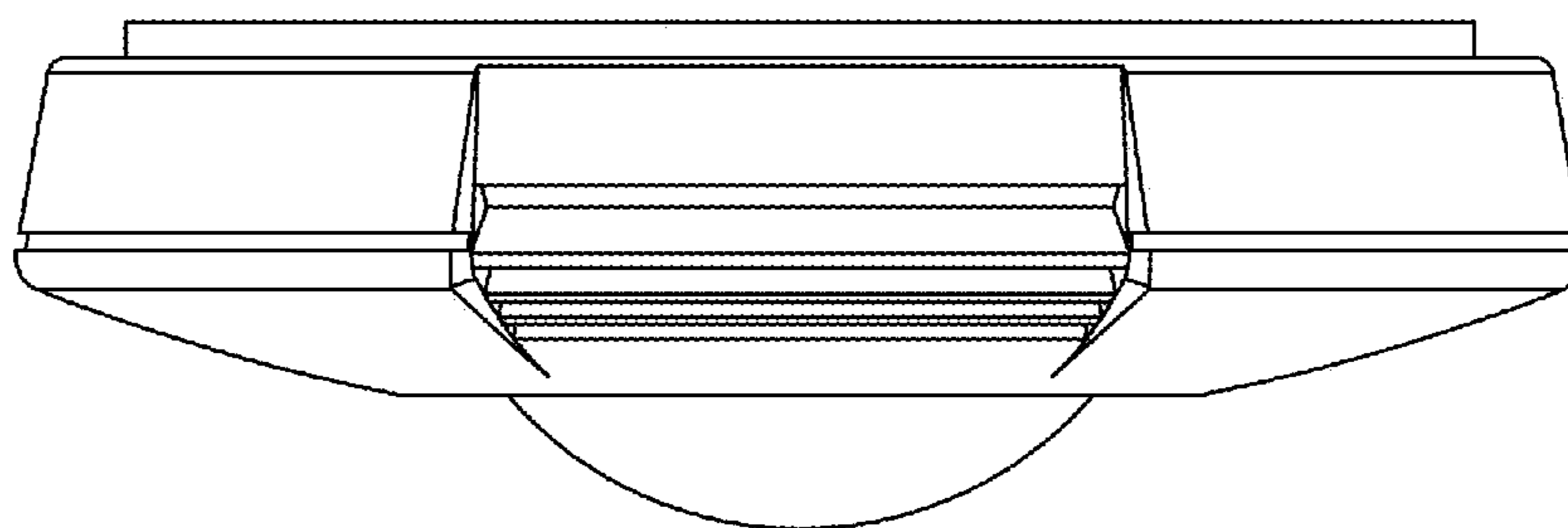


FIG. 5