



US00D723959S

(12) **United States Design Patent**  
**Huang**

(10) **Patent No.:** **US D723,959 S**  
(45) **Date of Patent:** **\*\* Mar. 10, 2015**

(54) **DIGITAL MULTIMETER**

(71) Applicant: **Danaher (Shanghai) Industrial Instrumentation Technologies R&D Co., Ltd., Shanghai (CN)**

(72) Inventor: **Wei Huang, Shanghai (CN)**

(73) Assignee: **Danaher (Shanghai) Industrial Instrumentation Technologies R&D Co., Ltd., Shanghai (CN)**

(\*\*) Term: **14 Years**

(21) Appl. No.: **29/476,735**

(22) Filed: **Dec. 16, 2013**

(30) **Foreign Application Priority Data**

Jun. 19, 2013 (CN) ..... 2013 3 0263537

(51) **LOC (10) Cl.** ..... **10-04**

(52) **U.S. Cl.**  
USPC ..... **D10/78**

(58) **Field of Classification Search**  
CPC ..... G01R 1/22; G01R 1/04; G01R 15/181;  
G01R 15/186; G01R 15/12; G01R 15/125;  
G01D 11/24; G06F 17/00  
USPC ..... D10/78; 324/66, 67, 158 P, 539-542,  
324/72.5, 556, 133, 149, 503, 543, 555, 72,  
324/754, 115, 141, 114, 145, 156, 508, 116,  
324/99 D; 379/21, 60, 66, 96,  
379/106.01-106.11; 340/635, 687, 654;  
73/866.5; 200/11 R, 11 DA, 336, 341;  
361/679.01

See application file for complete search history.

(56) **References Cited**

**U.S. PATENT DOCUMENTS**

D358,348 S \* 5/1995 Burgess ..... D10/78  
5,920,188 A \* 7/1999 Voorheis et al. .... 324/110  
D412,450 S \* 8/1999 McCain ..... D10/78

D419,466 S \* 1/2000 McCain ..... D10/78  
D446,735 S \* 8/2001 McCain ..... D10/78  
D625,633 S \* 10/2010 Laurino et al. .... D10/78  
8,093,516 B2 \* 1/2012 Worones et al. .... 200/11 DA  
8,358,121 B2 \* 1/2013 Hudson et al. .... 324/115  
8,405,380 B2 \* 3/2013 Marzynski et al. .... 324/114  
D684,873 S \* 6/2013 Steinich et al. .... D10/66  
8,466,671 B2 \* 6/2013 Worones ..... 324/156  
D704,579 S \* 5/2014 Heishi et al. .... D10/78  
D705,099 S \* 5/2014 Heishi et al. .... D10/78  
D705,681 S \* 5/2014 Morishita et al. .... D10/78  
8,755,173 B2 \* 6/2014 Laurino et al. .... 361/679.01

\* cited by examiner

*Primary Examiner* — Antoine D Davis

(74) *Attorney, Agent, or Firm* — Christensen O'Connor; Johnson Kindness PLLC

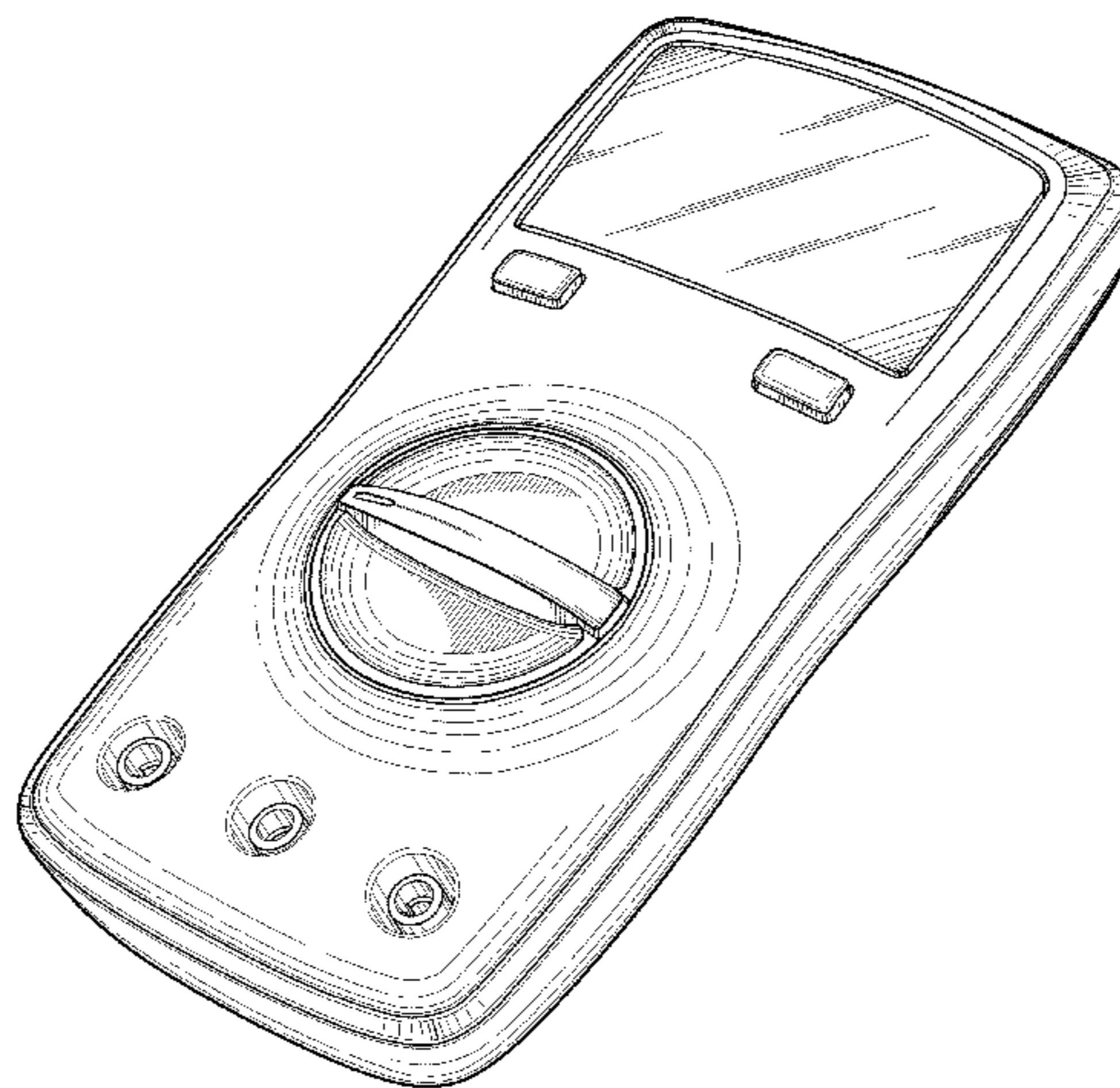
(57) **CLAIM**

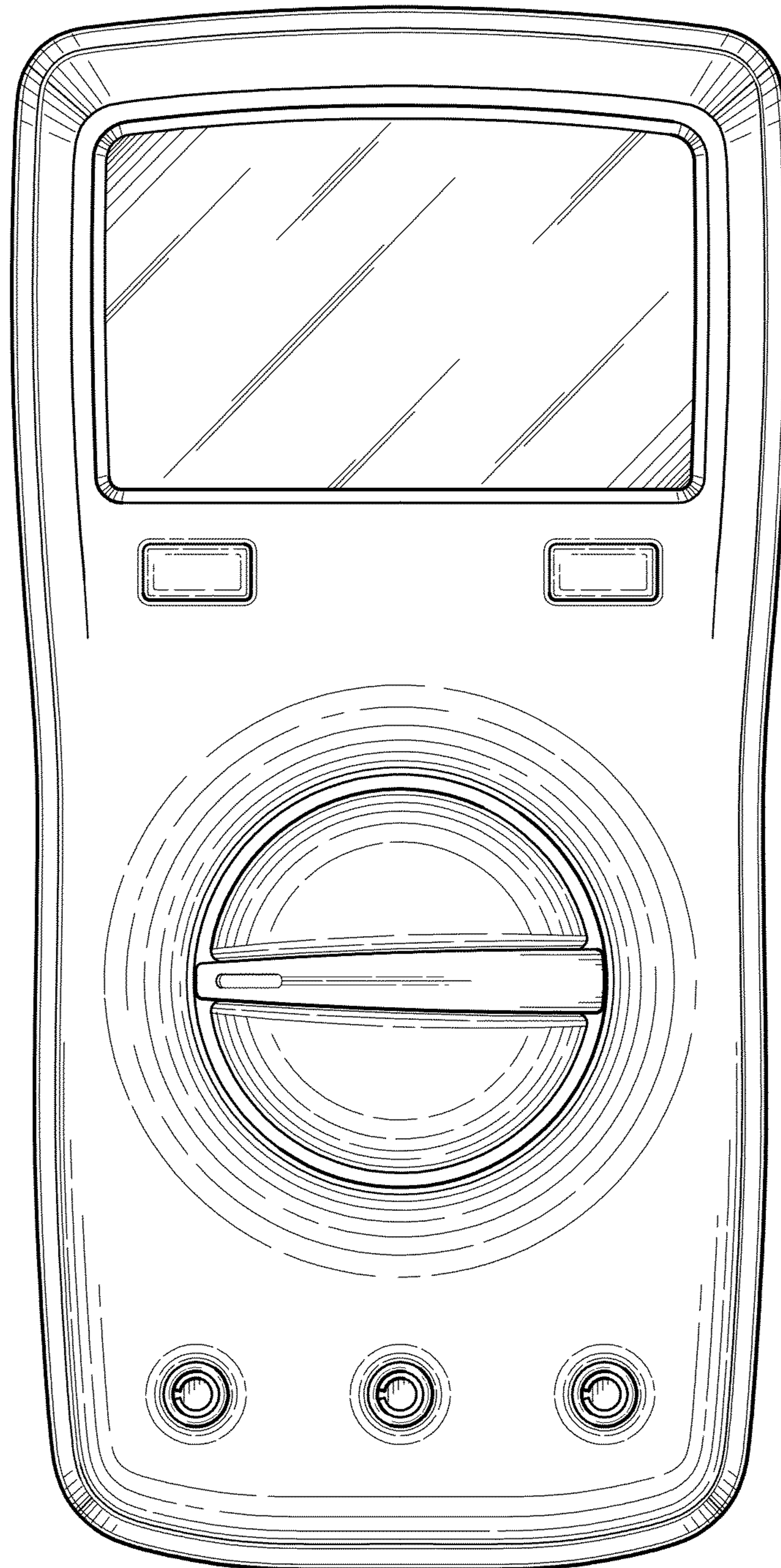
The ornamental design for a digital multimeter, as shown and described.

**DESCRIPTION**

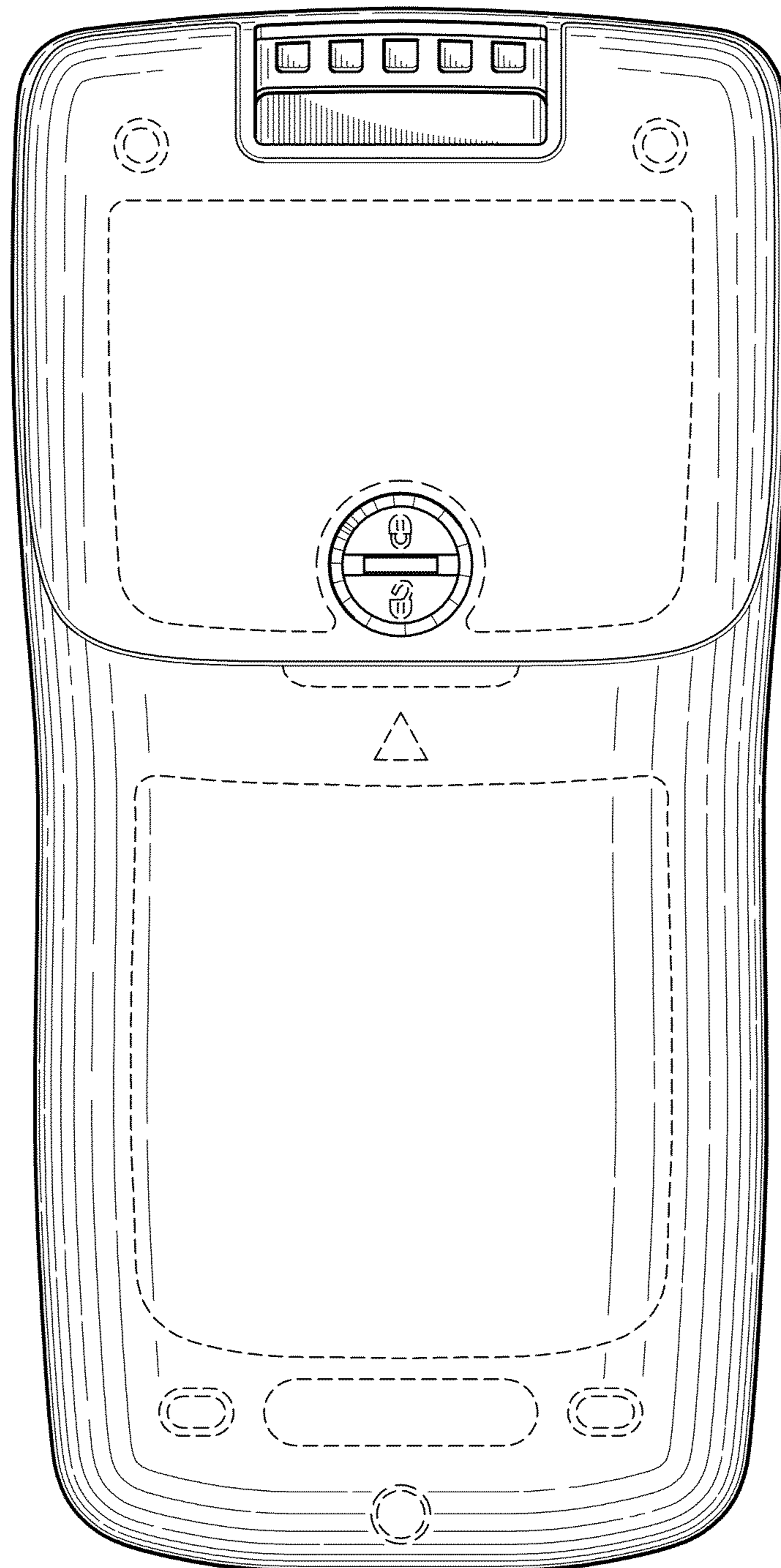
FIG. 1 is a front elevation view of a digital multimeter showing my new design;  
FIG. 2 is a rear elevation view thereof;  
FIG. 3 is a left side elevation view thereof;  
FIG. 4 is a right side elevation view thereof;  
FIG. 5 is a top plan view thereof;  
FIG. 6 is a bottom plan view thereof;  
FIG. 7 is a bottom front right perspective view thereof;  
FIG. 8 is a front elevation view of another embodiment of a digital multimeter showing my new design;  
FIG. 9 is a rear elevation view thereof;  
FIG. 10 is a left side elevation view thereof;  
FIG. 11 is a right side elevation view thereof;  
FIG. 12 is a top plan view thereof;  
FIG. 13 is a bottom plan view thereof; and,  
FIG. 14 is a bottom front right perspective view thereof.  
Broken lines shown in the drawings illustrate environmental subject matter and form no part of the claimed design.

**1 Claim, 10 Drawing Sheets**

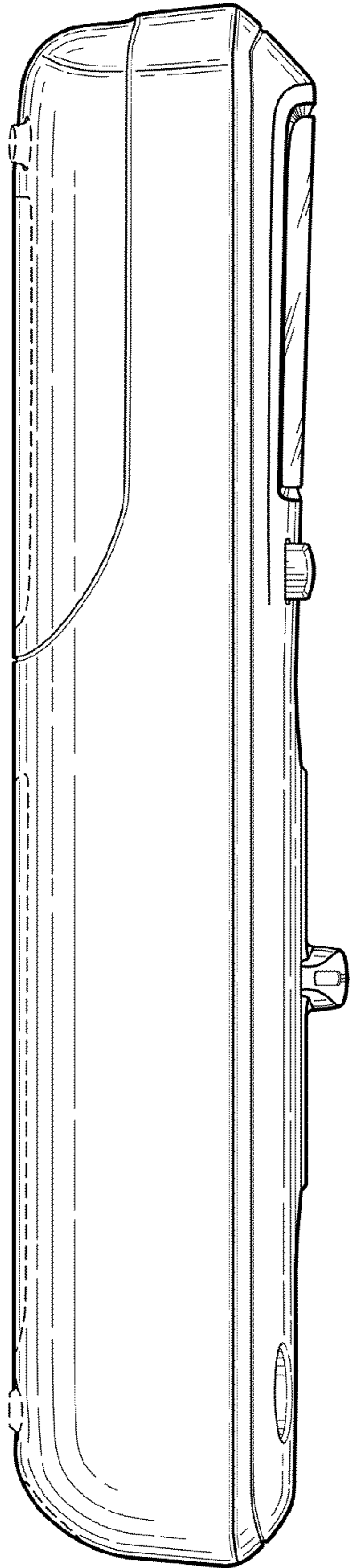




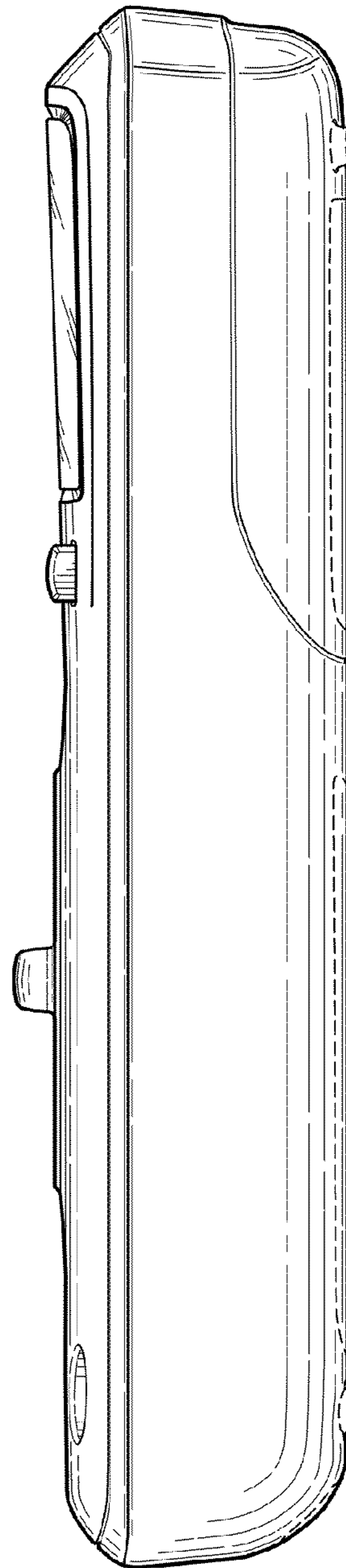
*Fig. 1.*



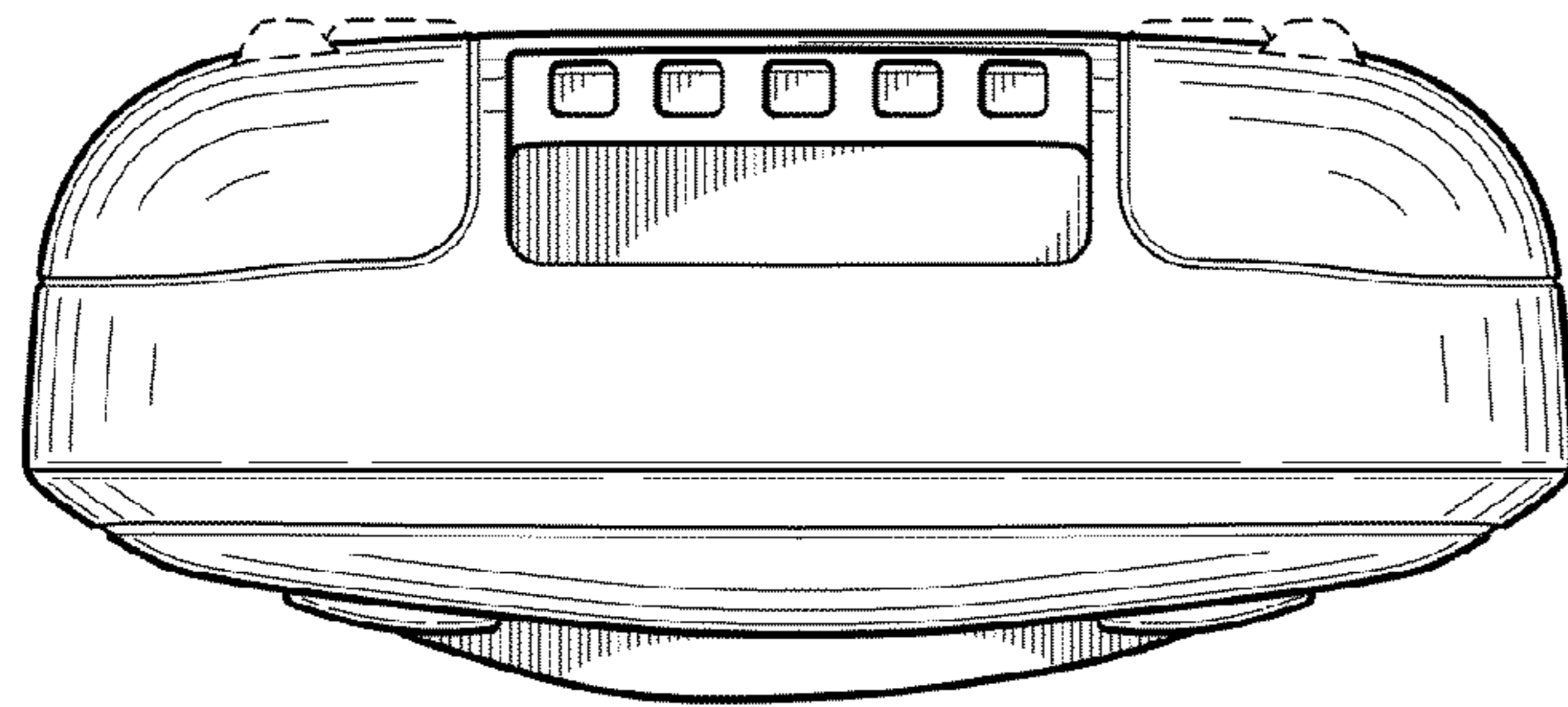
*Fig. 2.*



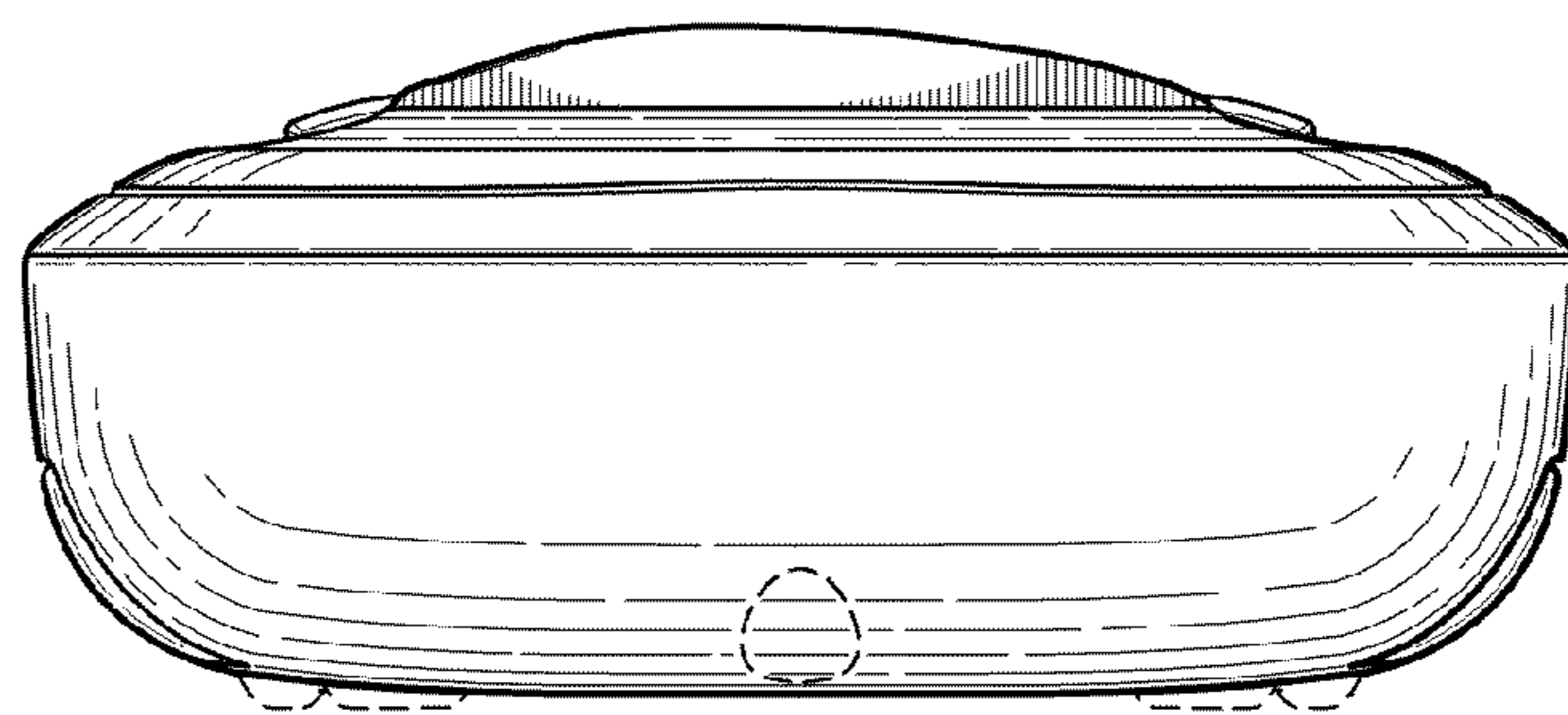
*Fig. 3.*



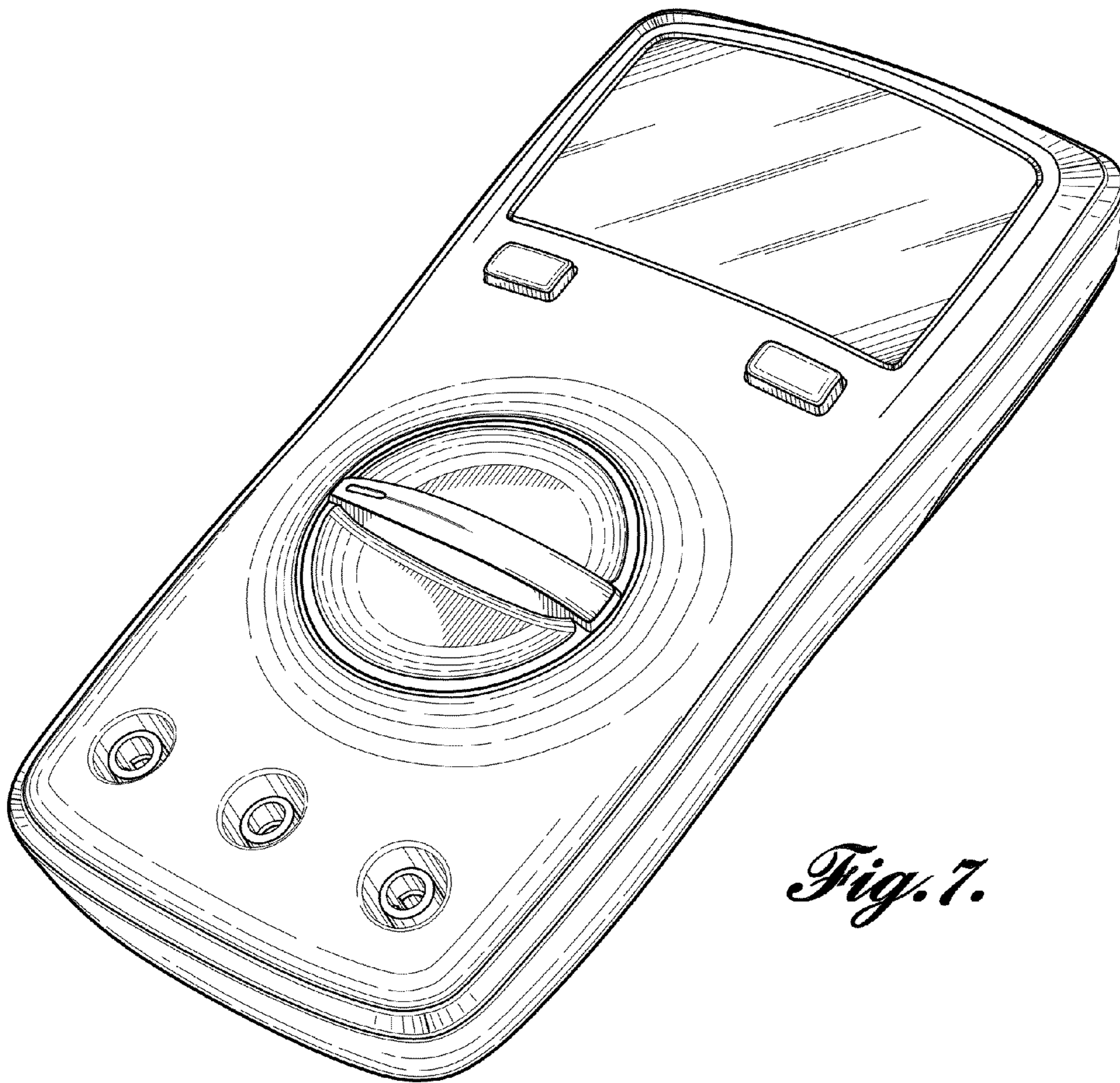
*Fig. 4.*



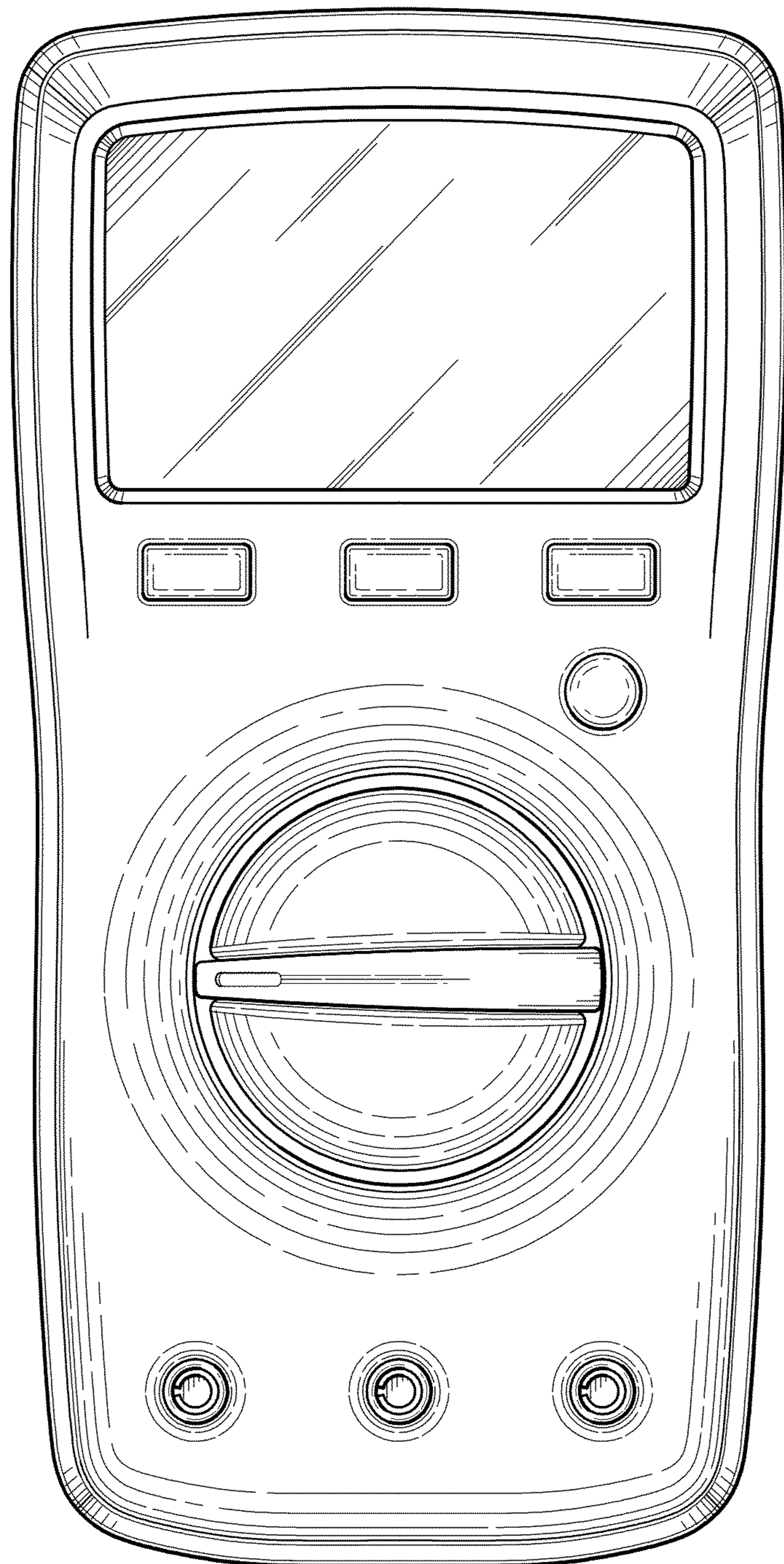
*Fig. 5.*



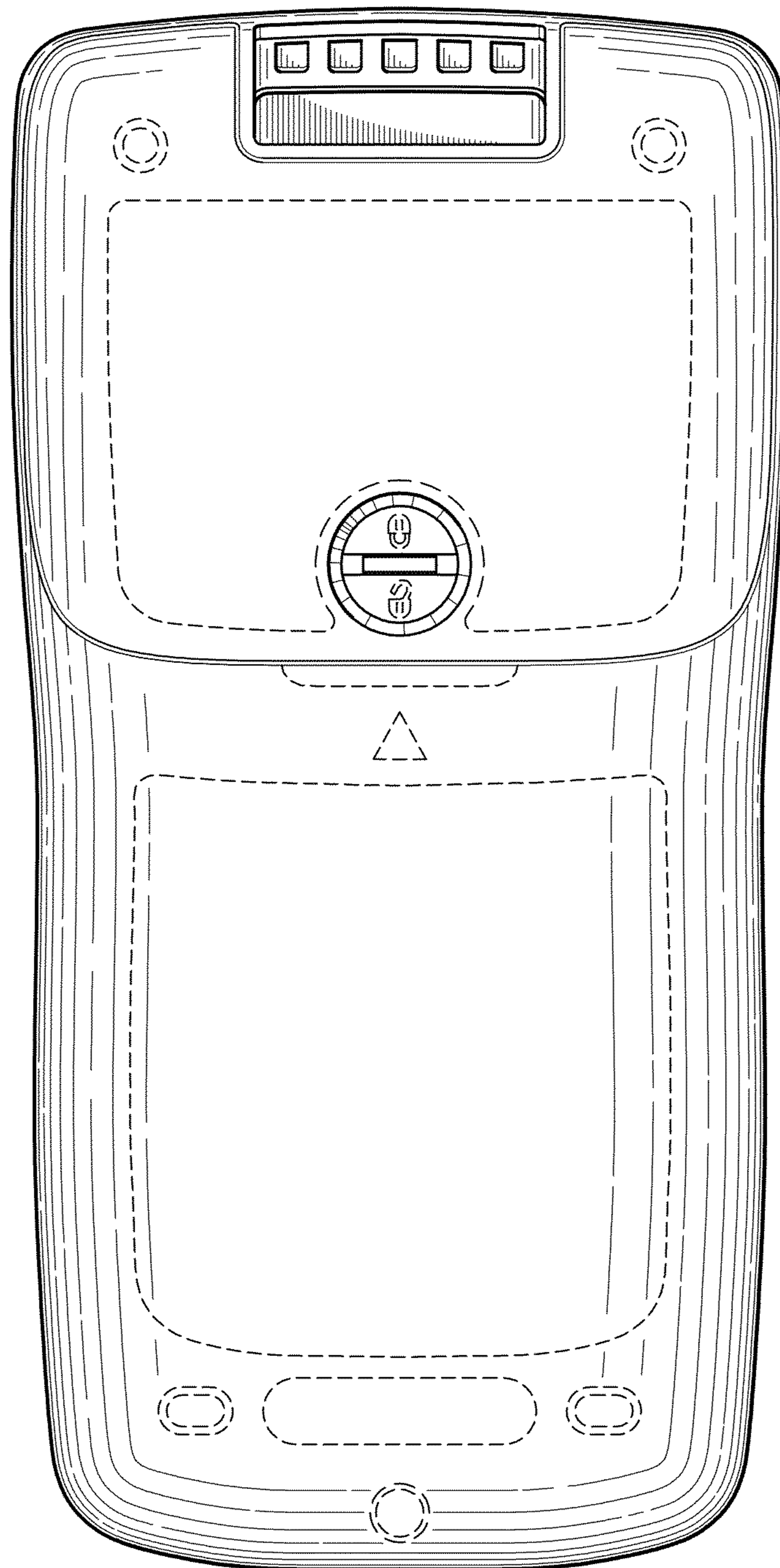
*Fig. 6.*



*Fig. 7.*

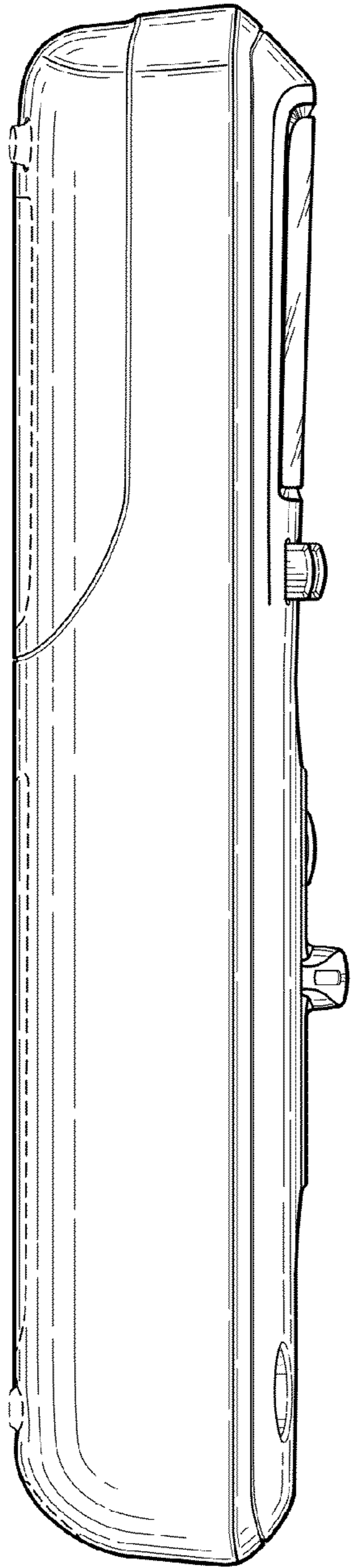


*Fig. 8.*

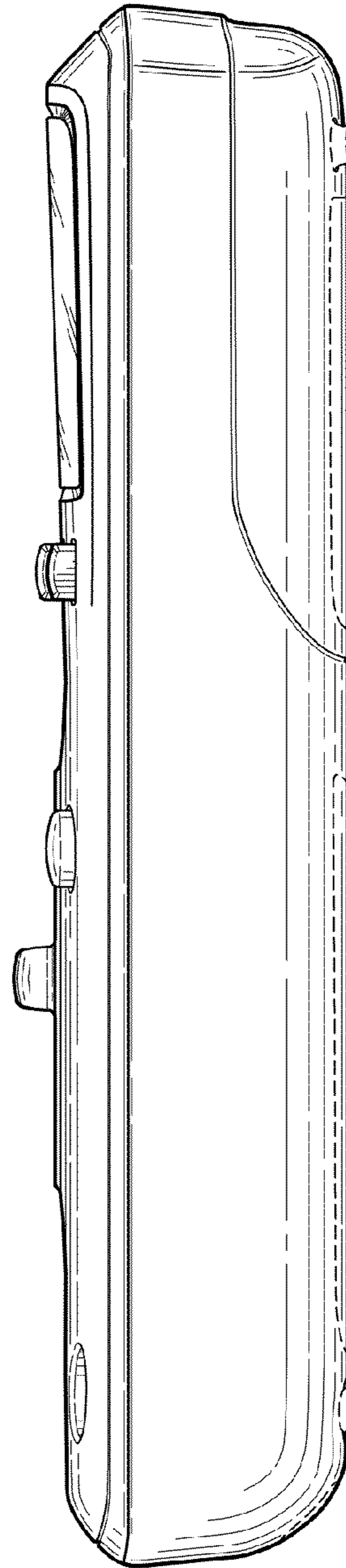


*Fig. 9.*

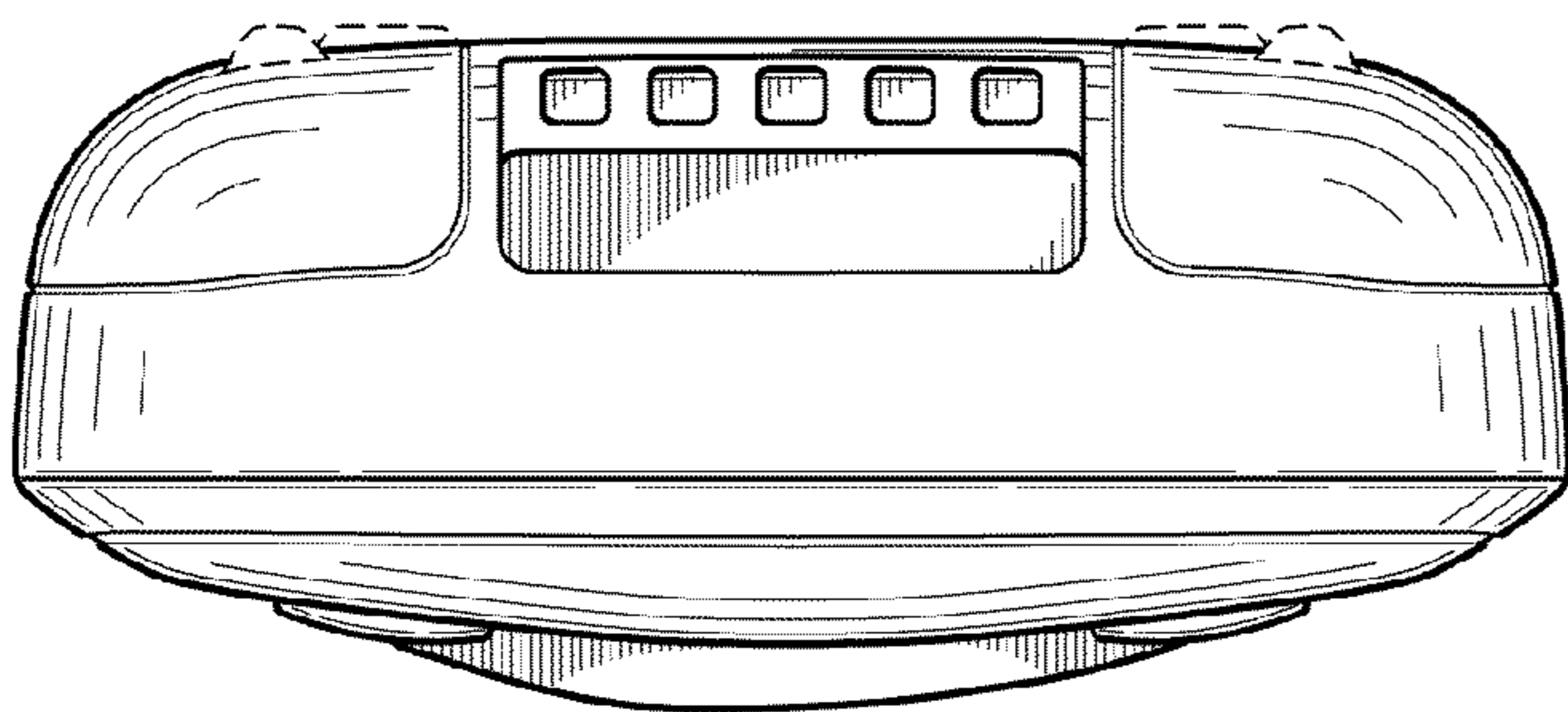




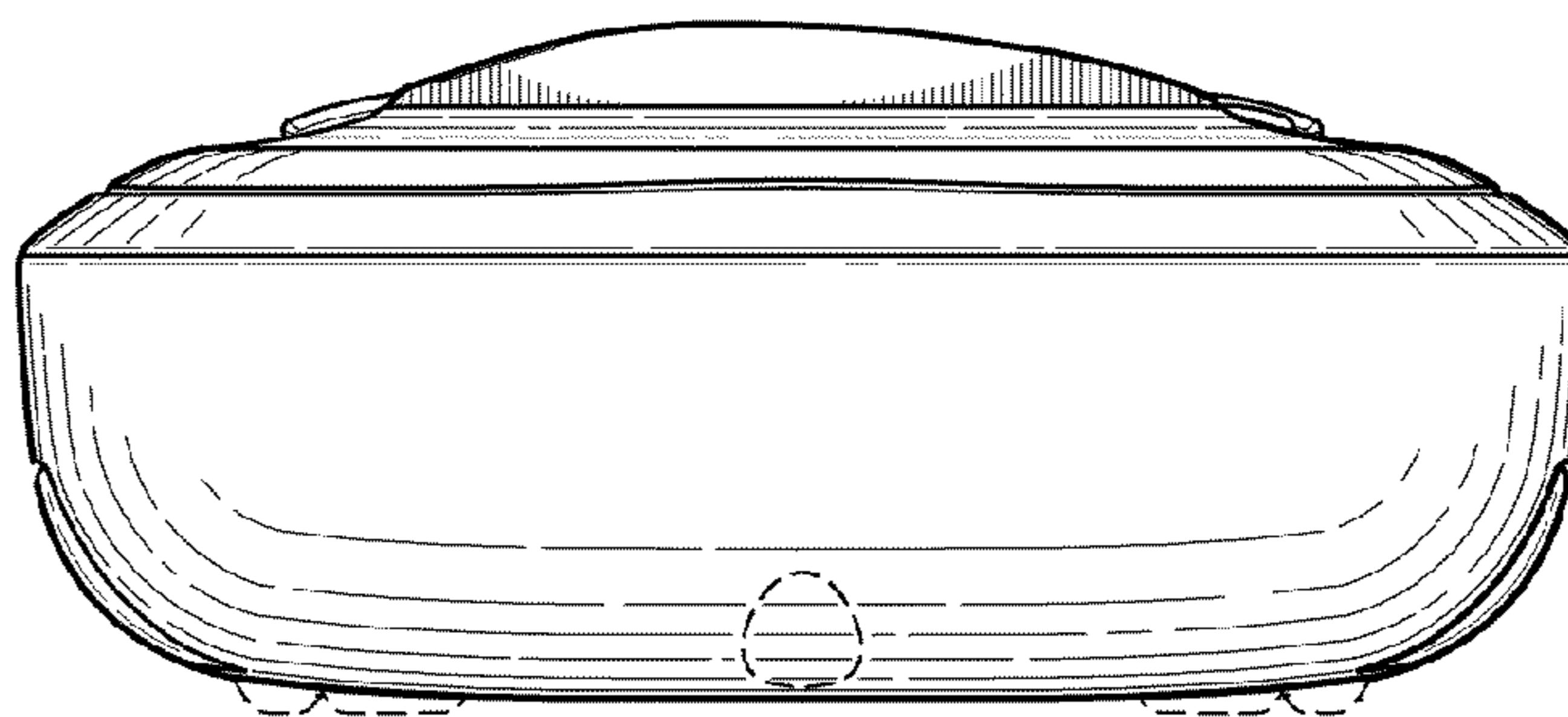
*Fig. 10.*



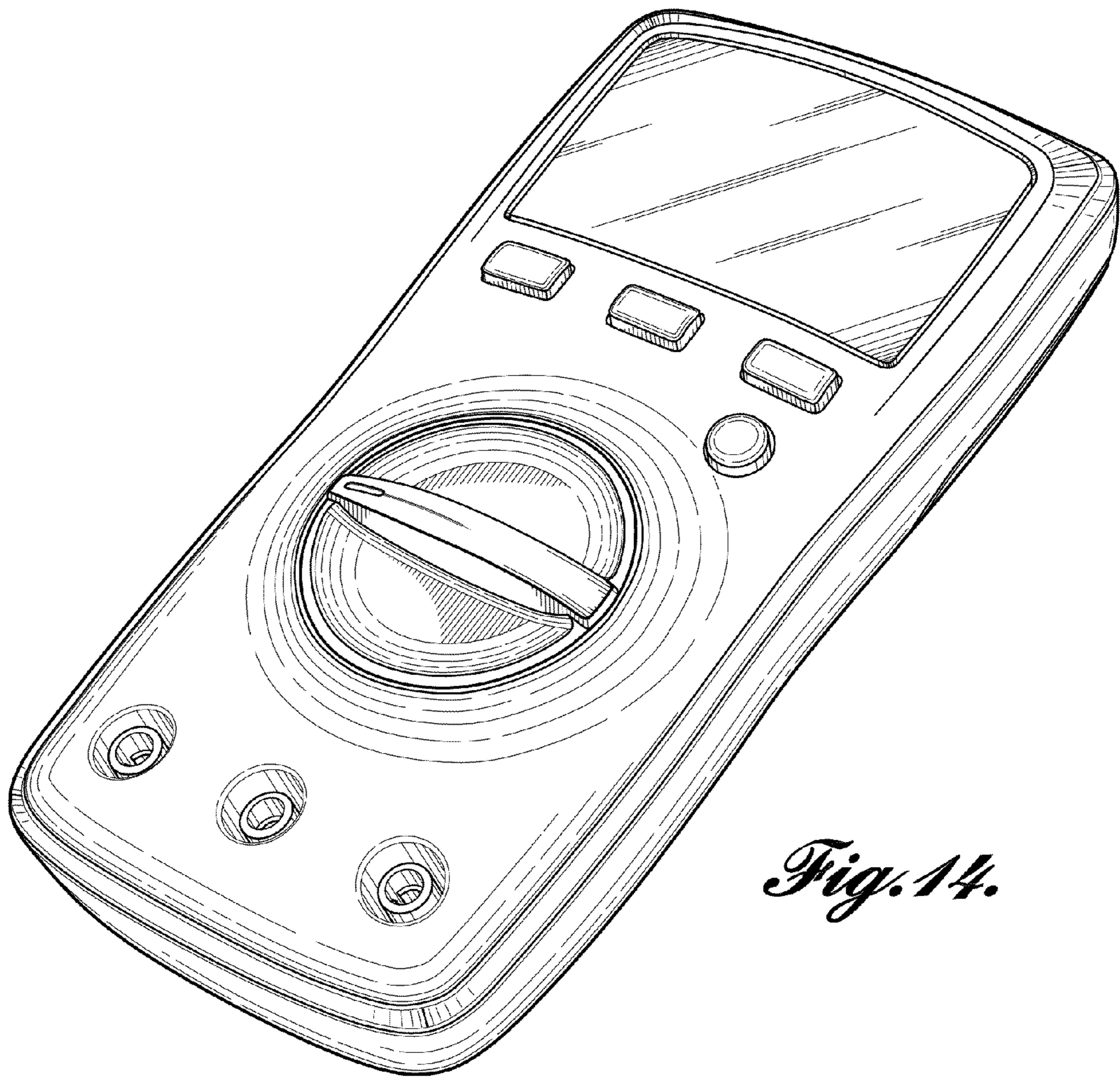
*Fig. 11.*



*Fig. 12.*



*Fig. 13.*



*Fig. 14.*