



US00D723957S

(12) **United States Design Patent**  
**Evans et al.**

(10) **Patent No.:** **US D723,957 S**  
(45) **Date of Patent:** **\*\* Mar. 10, 2015**

(54) **ELECTRONIC TRACKING DEVICE**

(71) Applicant: **Tile, Inc.**, San Mateo, CA (US)

(72) Inventors: **Nicholas George Evans**, Burlingame, CA (US); **Michael George Farley**, Santa Barbara, CA (US); **Elka Plamenova Alexandrova**, Sofia (BG)

(73) Assignee: **Tile, Inc.**, San Mateo, CA (US)

(\*\*) Term: **14 Years**

(21) Appl. No.: **29/470,567**

(22) Filed: **Oct. 22, 2013**

(51) **LOC (10) Cl.** ..... **10-04**

(52) **U.S. Cl.**

USPC ..... **D10/70**; D10/98

(58) **Field of Classification Search**

CPC ..... A41D 1/002; A44C 5/0015; A44C 5/102; A44C 5/14; A44C 5/02; A61B 19/44; A61B 2019/446; A61B 19/446; A63B 71/06; A63B 26/00; A63B 24/0075; A63B 2071/0663; G09F 3/005; G06F 1/163; G06F 3/038; G06F 3/03547  
USPC ..... D10/65, 70, 78, 97, 98; 2/127, 170; 40/633, 665; 59/80; 63/15.7; 340/407.1, 665, 323 R; 368/41; 434/247, 258; 482/1, 2, 4, 8, 9, 44, 482/148, 901, 74, 909; 600/485, 500, 503, 600/437, 443, 453, 459, 465, 479, 502, 595, 600/481, 483; 702/178, 155, 160, 176, 78, 702/79, 82, 91-95, 104, 116, 141, 150, 151, 702/154, 127, 131, 182, 183, 189; 235/105; 377/5, 24.2, 26; 73/514.33, 514.34, 73/510, 513, 527, 530; 324/522; 345/165, 345/156, 905; 342/27, 28, 52-58, 419, 450, 342/457, 458; 250/DIG. 1

See application file for complete search history.

(56) **References Cited**

U.S. PATENT DOCUMENTS

4,682,155 A 7/1987 Shirley  
5,731,757 A 3/1998 Layson, Jr.  
5,973,599 A 10/1999 Nicholson et al.  
7,034,684 B2 4/2006 Boman et al.  
D555,019 S \* 11/2007 Au Yeung ..... D10/70

(Continued)

OTHER PUBLICATIONS

Nick Summers, "Linquet Mini takes the crowdfunding route to help you protect your iPhone and valuables via Bluetooth", Feb. 20, 2013 <http://www.thenextweb.com/gadgets/2013/02/20/crowdfunding-campaign-launched-for-linquet-mini-a-new-anti-theft-device-that-protects-your-iphone-and-valuable/>.

(Continued)

*Primary Examiner* — Antoine D Davis

(74) *Attorney, Agent, or Firm* — Fenwick & West LLP

(57) **CLAIM**

We claim the ornamental design for an electronic tracking device, as shown and described.

**DESCRIPTION**

FIG. 1 is a front perspective view of an electronic tracking device showing our new design.

FIG. 2 is a rear perspective view of an electronic tracking device in FIG. 1.

FIG. 3 is a front view thereof.

FIG. 4 is a rear view thereof.

FIG. 5 is a right side view thereof.

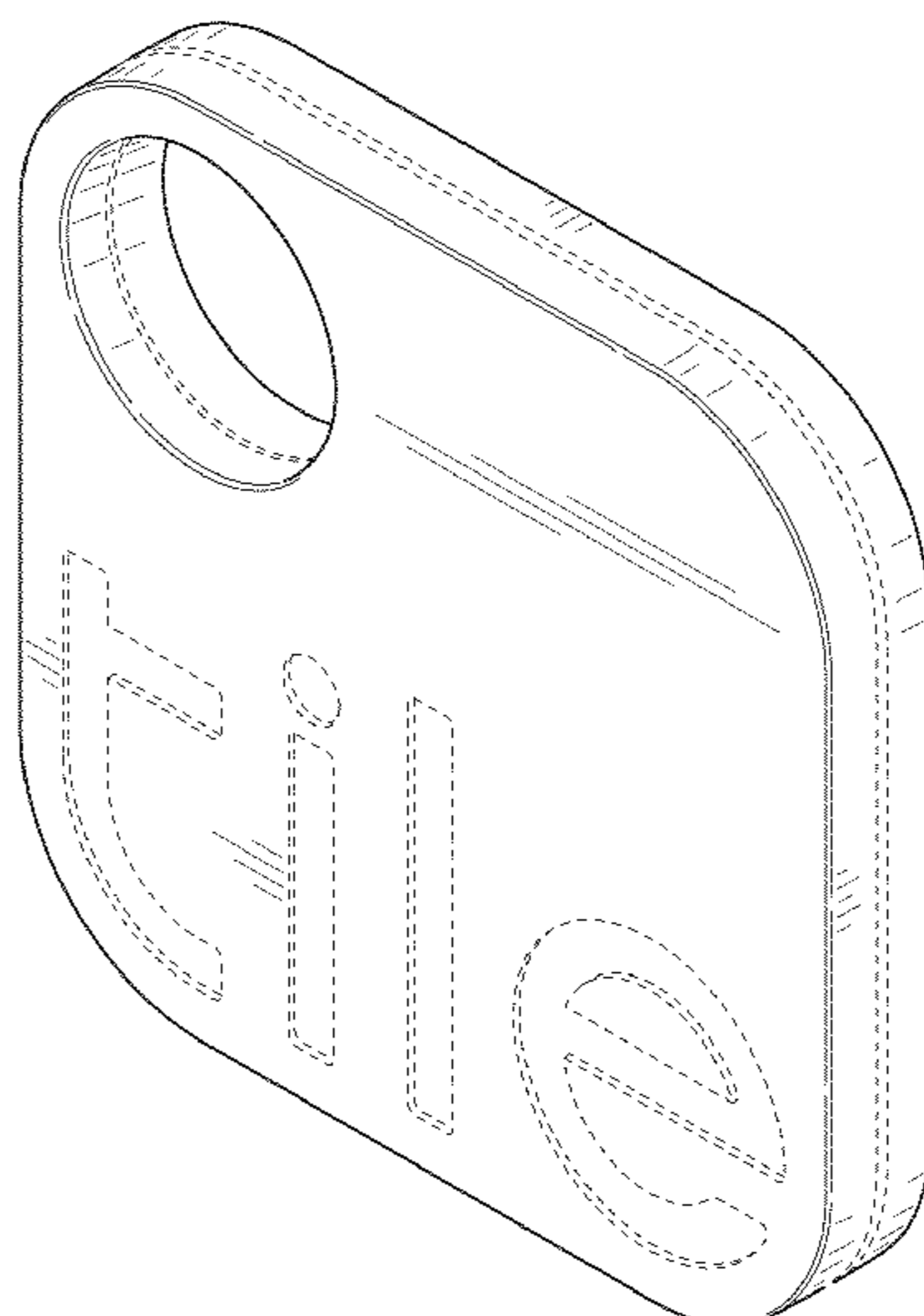
FIG. 6 is a left side view thereof.

FIG. 7 is a top view thereof; and,

FIG. 8 is a bottom view thereof.

The line shadings in the figures are included for the purpose of illustrating contour and are not intended to be illustrative of texture or gloss. None of the broken lines form a part of the claimed design.

**1 Claim, 3 Drawing Sheets**



(56)

References Cited

U.S. PATENT DOCUMENTS

7,420,465 B2 9/2008 Ritter  
 7,502,619 B1 3/2009 Katz  
 D611,366 S \* 3/2010 Register et al. .... D10/65  
 D615,427 S \* 5/2010 Au Yeung ..... D10/70  
 D632,984 S \* 2/2011 Register et al. .... D10/65  
 D635,874 S \* 4/2011 Tseng et al. .... D10/70  
 D637,097 S \* 5/2011 Tseng ..... D10/70  
 D644,542 S \* 9/2011 Henne et al. .... D10/65  
 D659,569 S \* 5/2012 Shadovitz ..... D10/65  
 D665,679 S \* 8/2012 Shigeno et al. .... D10/70  
 D665,680 S \* 8/2012 Shigeno et al. .... D10/70  
 D674,715 S \* 1/2013 Dalton ..... D10/70  
 D677,589 S \* 3/2013 Jung et al. .... D10/65  
 D682,126 S \* 5/2013 Tello ..... D10/70  
 D684,071 S \* 6/2013 Greenwood et al. .... D10/70  
 8,506,524 B2 \* 8/2013 Graskov et al. .... 345/156  
 D693,248 S \* 11/2013 Anderssen et al. .... D10/65  
 D693,249 S \* 11/2013 Anderssen et al. .... D10/65  
 D693,250 S \* 11/2013 Anderssen et al. .... D10/65  
 D699,131 S \* 2/2014 Marshall et al. .... D10/65

D700,084 S \* 2/2014 Hsu ..... D10/70  
 D702,141 S \* 4/2014 Jung et al. .... D10/65  
 2003/0095032 A1 5/2003 Hoshino et al.  
 2004/0174264 A1 9/2004 Reisman et al.  
 2006/0158310 A1 7/2006 Klatsanyi et al.  
 2010/0164715 A1 7/2010 Buller et al.

OTHER PUBLICATIONS

Zach Honig, "StickNFind Bluetooth stickers let you tag and locate your goods with a smartphone (hands-on-video)", Jan. 2, 2013 <http://www.engadget.com/2013/01/02/sticknfind-bluetooth-stickers-hands-on/>.  
 Cao Gadgets LLC, "Monitor and Find Everything in Your Home or Office from the Internet", access Sep. 23, 2013 [http://www.wirelesstag.net/index\\_ie.html](http://www.wirelesstag.net/index_ie.html).  
 Wavetrend Technologies Limited, "ActivDuo Mini Asset Tag TG1810-A", Feb. 2009.  
 TrackR, 2014, Phone Halo Inc., 5 pages, [Online] [Retrieved on Jul. 24, 2014] Retrieved from the Internet<URL:<http://www.thetrackr.com/>>.

\* cited by examiner

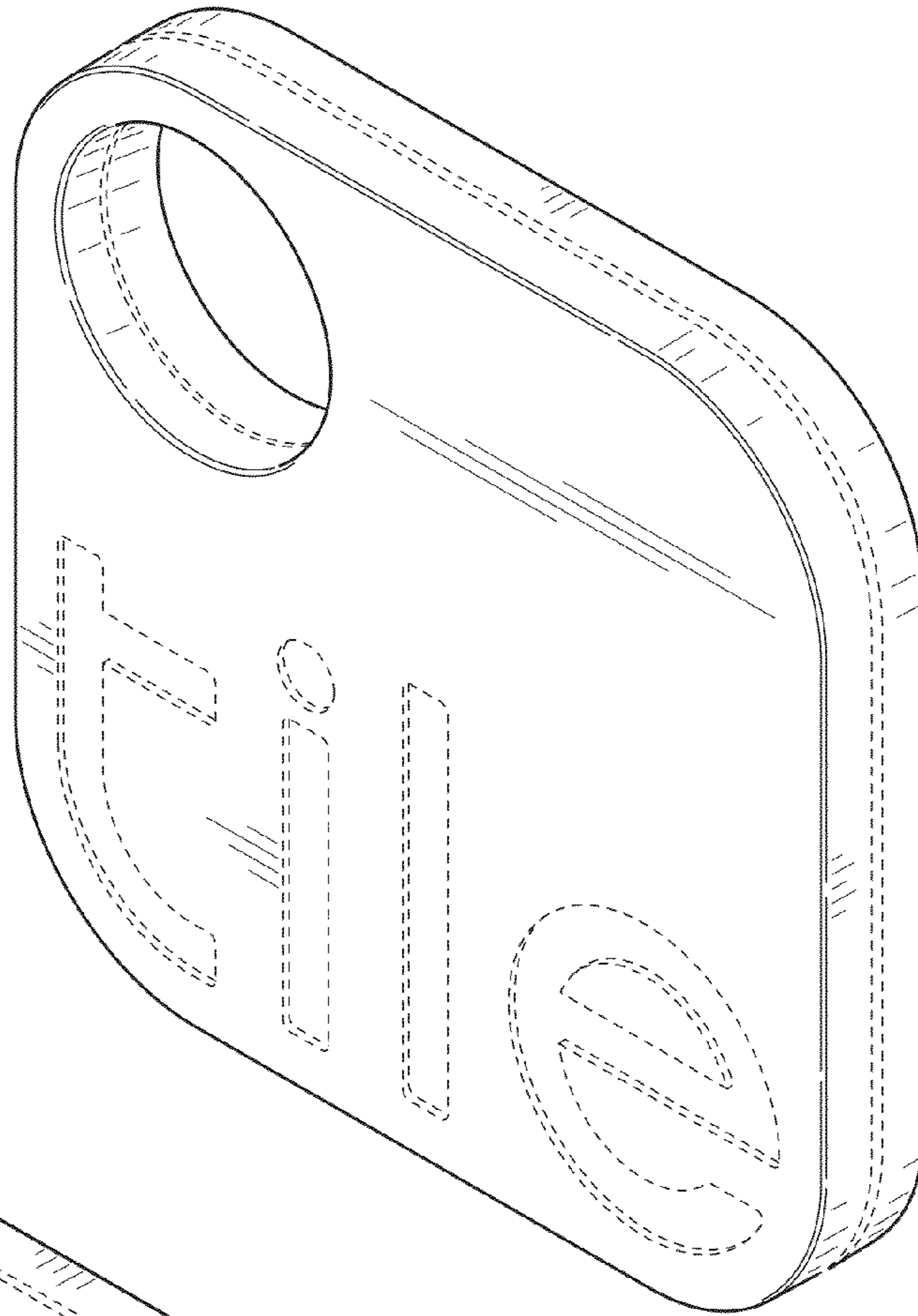


Fig. 1

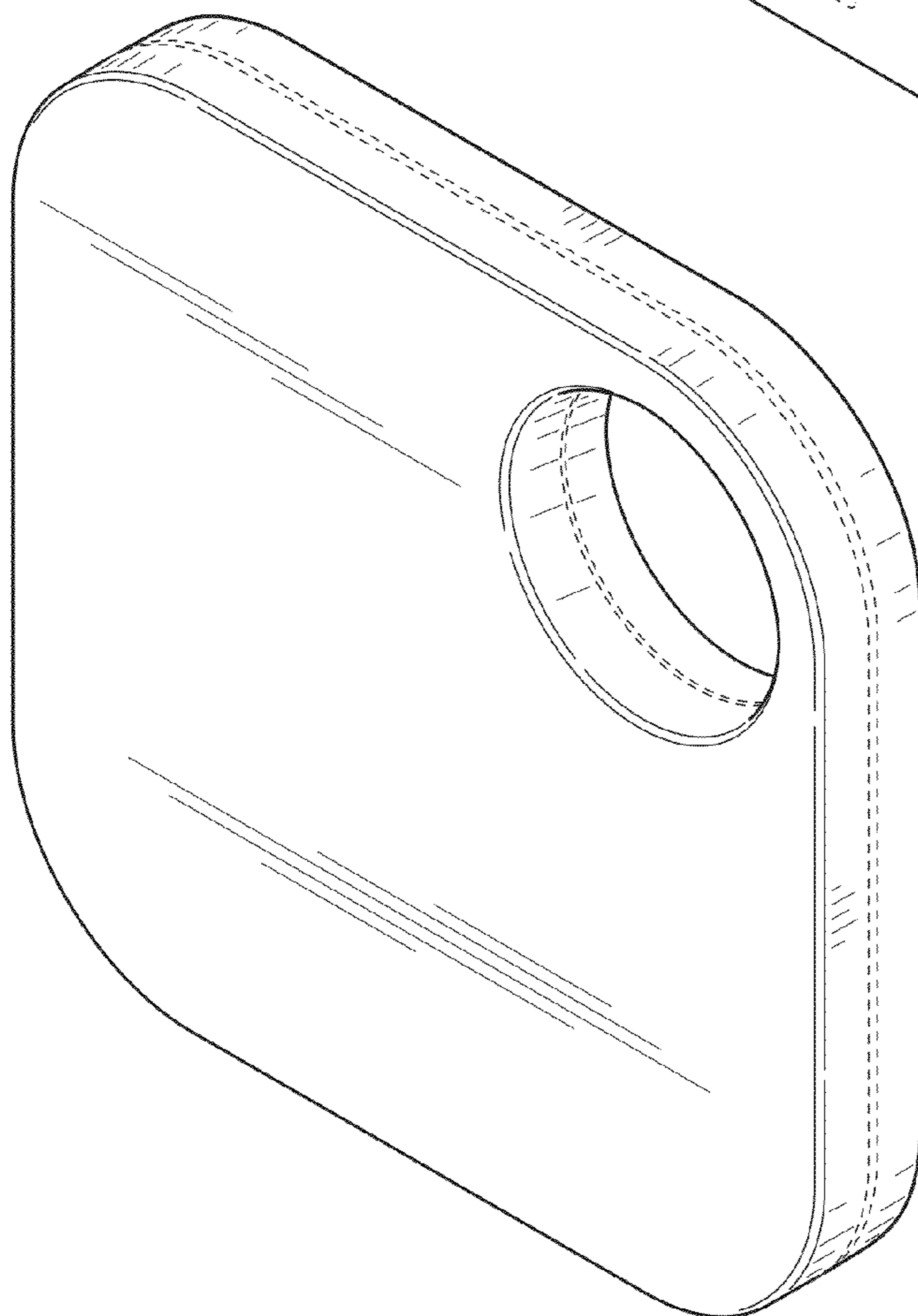


Fig. 2



Fig. 3

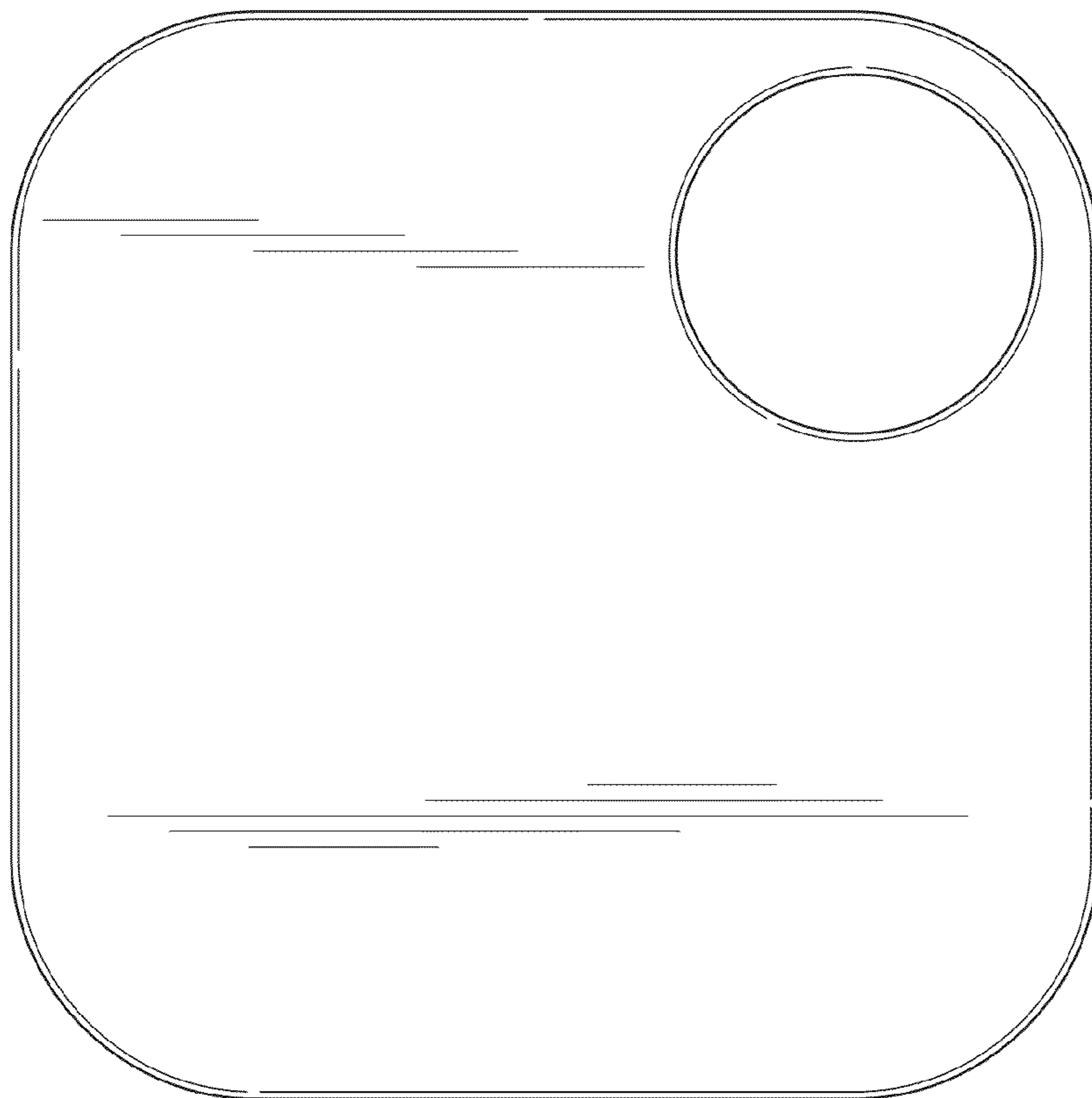


Fig. 4

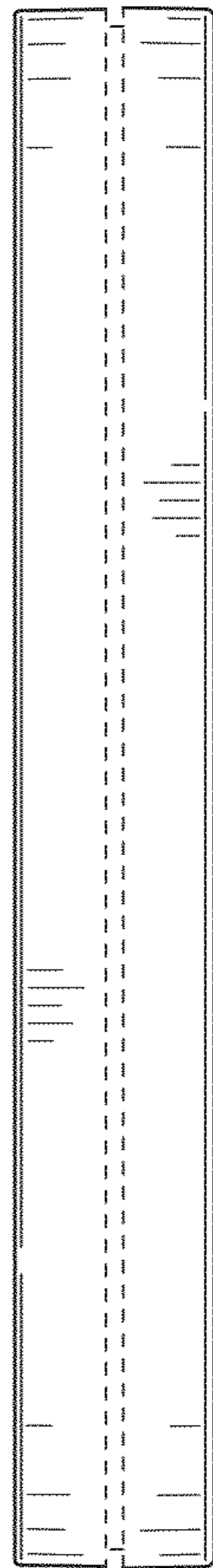


Fig. 5

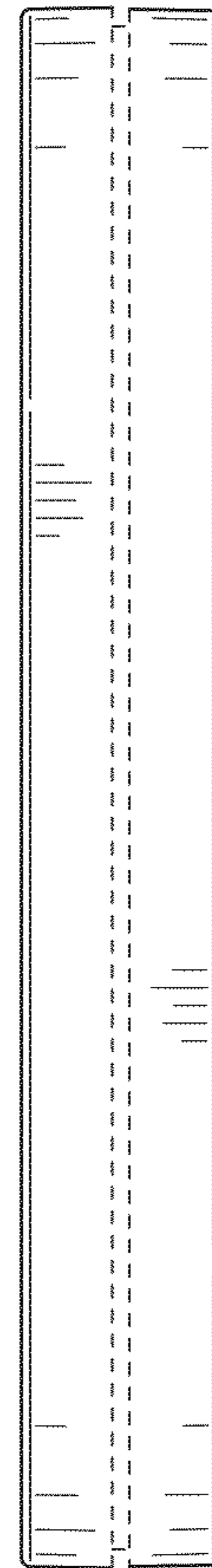


Fig. 6

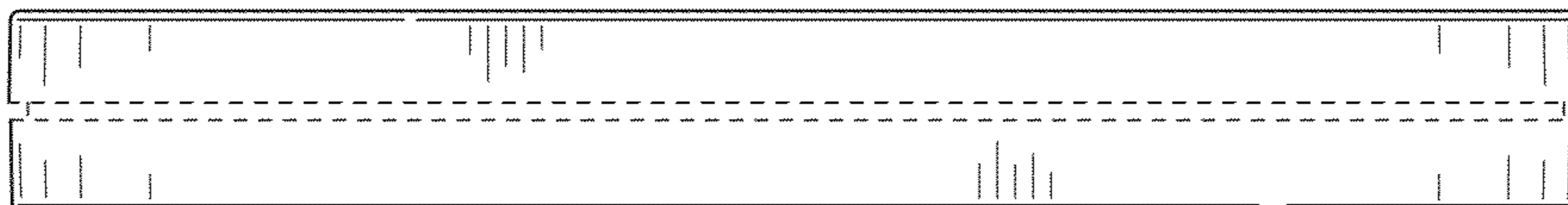


Fig. 7

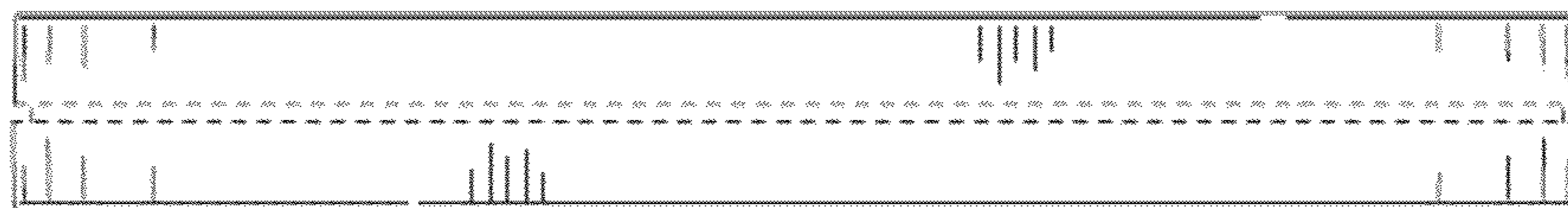


Fig. 8