



US00D723956S

(12) **United States Design Patent**  
**Johnson et al.**

(10) **Patent No.:** **US D723,956 S**  
(45) **Date of Patent:** **\*\* Mar. 10, 2015**

(54) **TORPEDO LEVEL**

(71) Applicant: **Johnson Level & Tool Mfg. Co., Inc.**,  
Mequon, WI (US)

(72) Inventors: **William G. Johnson**, Mequon, WI (US);  
**Robert A. Johnson**, Mequon, WI (US);  
**John Dwyer**, Waukehsa, WI (US);  
**Timothy J. Wojciechowski**, Hubertus,  
WI (US)

(73) Assignee: **Johnson Level & Tool Mfg. Co., Inc.**,  
Mequon, WI (US)

(\*\*) Term: **14 Years**

(21) Appl. No.: **29/479,267**

(22) Filed: **Jan. 14, 2014**

(51) **LOC (10) Cl.** ..... **10-04**

(52) **U.S. Cl.**  
USPC ..... **D10/69**

(58) **Field of Classification Search**  
CPC ..... G01C 9/18; G01C 9/24; G01C 9/26;  
G01C 9/28; G01C 9/32; G01C 9/34  
USPC ..... D10/69; 33/365, 366.11-366.27,  
33/367-391  
See application file for complete search history.

(56) **References Cited**

**U.S. PATENT DOCUMENTS**

D224,663	S	*	8/1972	de Jong	.....	D10/69
D280,185	S	*	8/1985	Wright	.....	D10/69
4,593,475	A	*	6/1986	Mayes	.....	33/347
4,829,676	A	*	5/1989	Waldron	.....	33/372
D301,553	S	*	6/1989	Makofsky et al.	.....	D10/69
4,876,798	A	*	10/1989	Zimmerman	.....	33/348.2
D320,360	S	*	10/1991	Kennedy	.....	D10/69
D332,226	S	*	1/1993	Hutchins et al.	.....	D10/69
D355,134	S	*	2/1995	Kennedy	.....	D10/69
D412,857	S		8/1999	Howard et al.		
D415,436	S		10/1999	Martone		
D469,370	S		1/2003	Gruetzmacher et al.		

D472,168	S		3/2003	Levinson		
6,568,095	B2		5/2003	Snyder		
D507,194	S		7/2005	Budrow et al.		
D513,198	S	*	12/2005	Levinson	.....	D10/69
D519,863	S		5/2006	Kim		
D521,882	S	*	5/2006	Kim	.....	D10/69
7,086,166	B2	*	8/2006	Helda et al.	.....	33/375
7,152,335	B2		12/2006	Nichols		
D582,302	S		12/2008	Johnson et al.		
D625,630	S		10/2010	Levinson		
D628,914	S		12/2010	Kim et al.		
7,946,045	B2		5/2011	Allemand		
8,061,051	B2		11/2011	Allemand		
D694,659	S		12/2013	Yong et al.		
2005/0252016	A1	*	11/2005	Helda et al.	.....	33/375
2008/0282562	A1	*	11/2008	Allemand	.....	33/379

\* cited by examiner

*Primary Examiner* — Antoine D Davis

(74) *Attorney, Agent, or Firm* — Boyle Fredrickson, S.C.

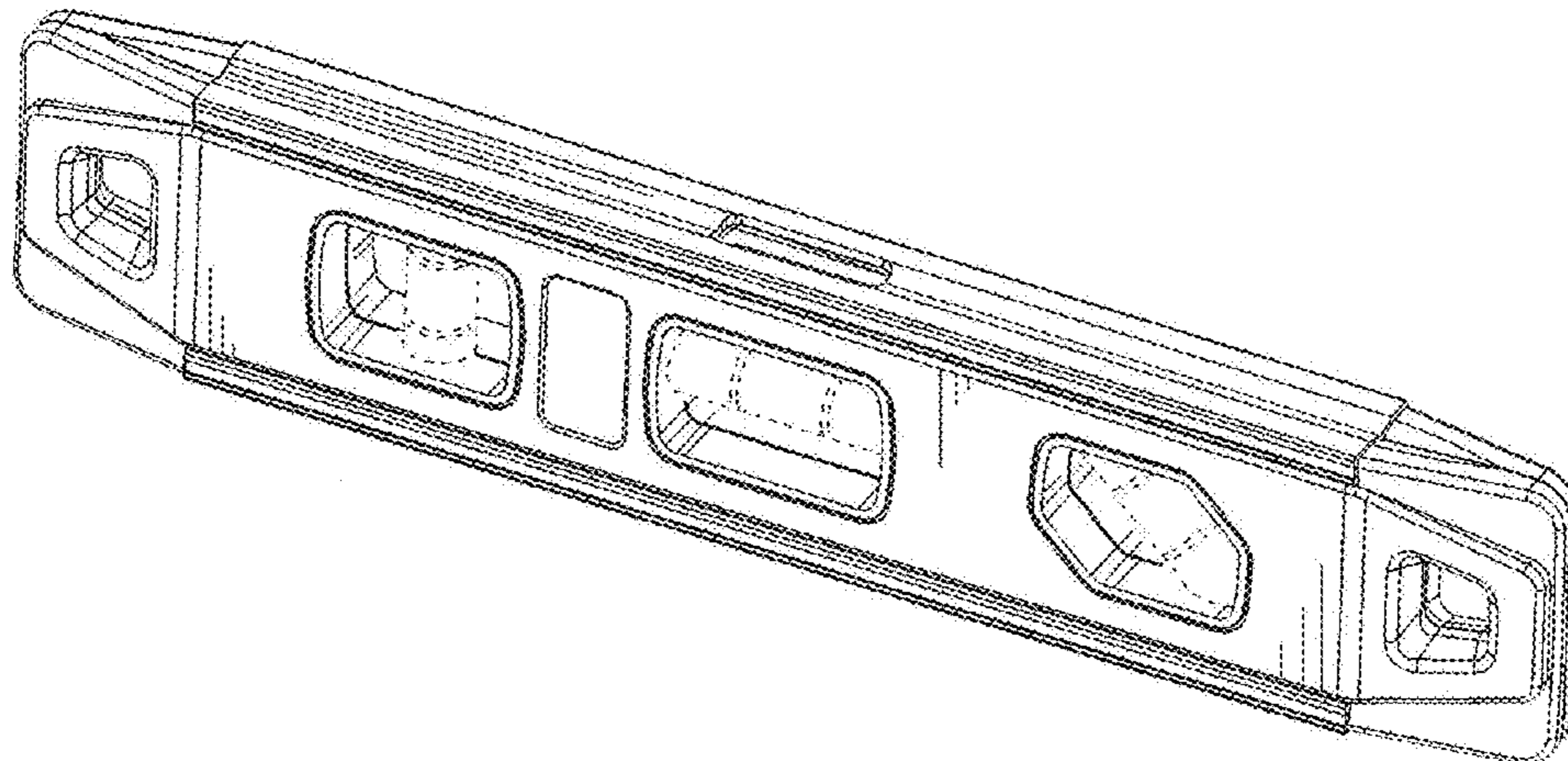
(57) **CLAIM**

The ornamental design of a torpedo level, as shown and described.

**DESCRIPTION**

FIG. 1 is an isometric view of a first embodiment of a torpedo level incorporating my new design, wherein the portions in phantom form no part of the claimed design; FIG. 2 is a right side elevation view thereof; FIG. 3 is a left side elevation view thereof; FIG. 4 is a bottom plan view thereof; FIG. 5 is a top plan view thereof; FIGS. 6 and 7 are and elevation views thereof; FIG. 8 is an isometric view of a second embodiment of a torpedo level incorporating my new design, wherein the portions in phantom form no part of the claimed design; FIG. 9 is a right side elevation view thereof; FIG. 10 is a left side elevation view thereof; FIG. 11 is a bottom plan view thereof; FIG. 12 is a top plan view thereof; and, FIGS. 13 and 14 are and elevation views thereof.

**1 Claim, 8 Drawing Sheets**



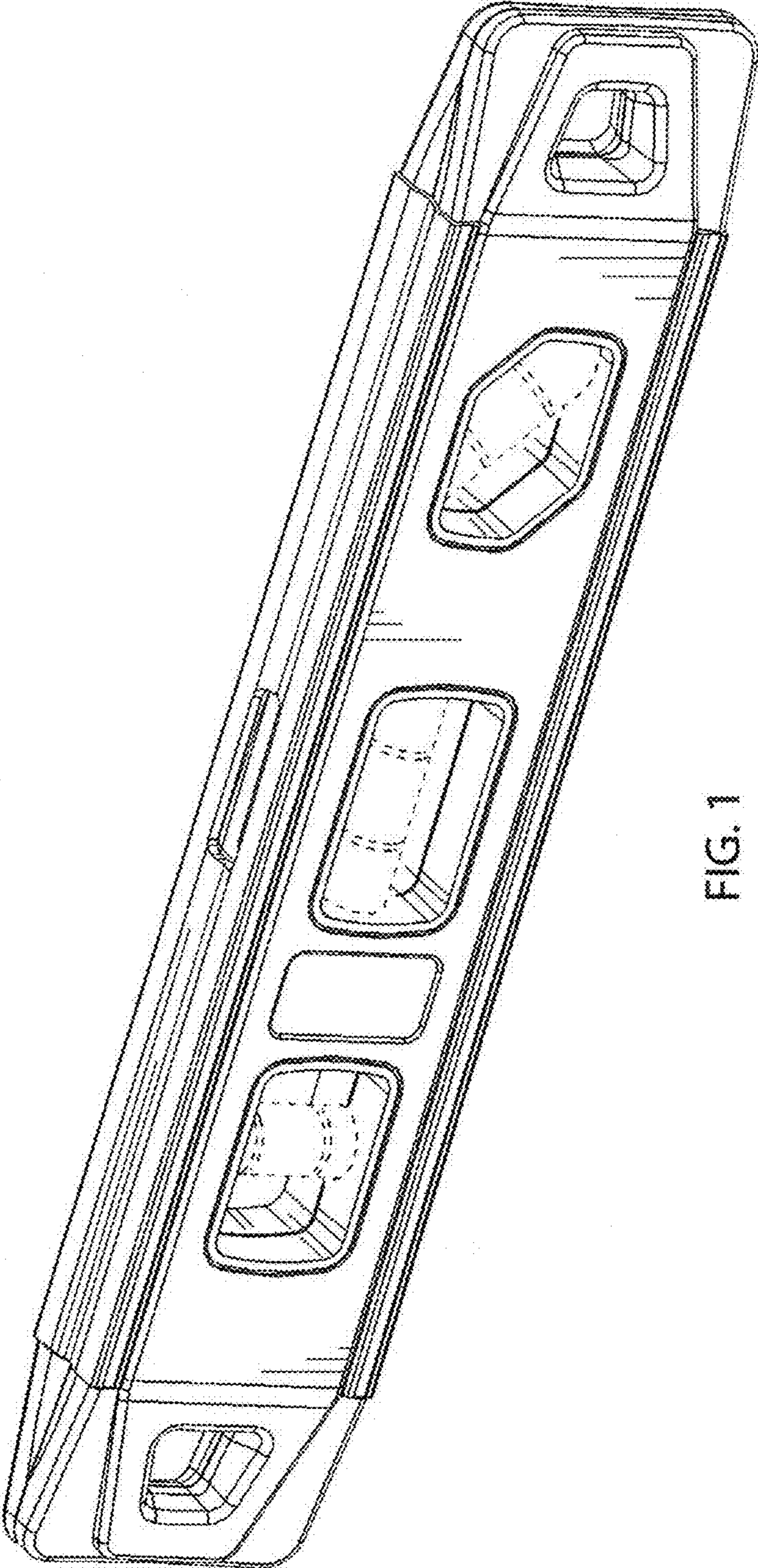


FIG. 1

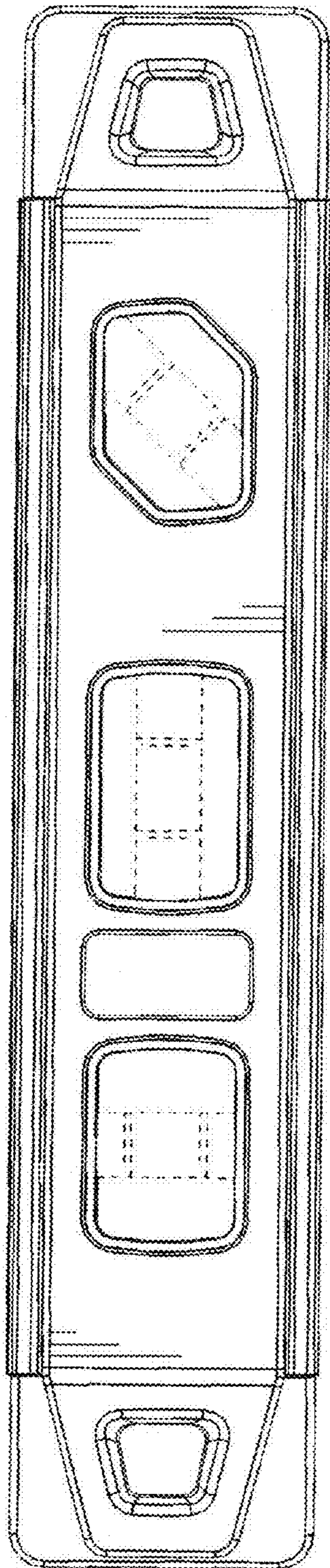


FIG. 2

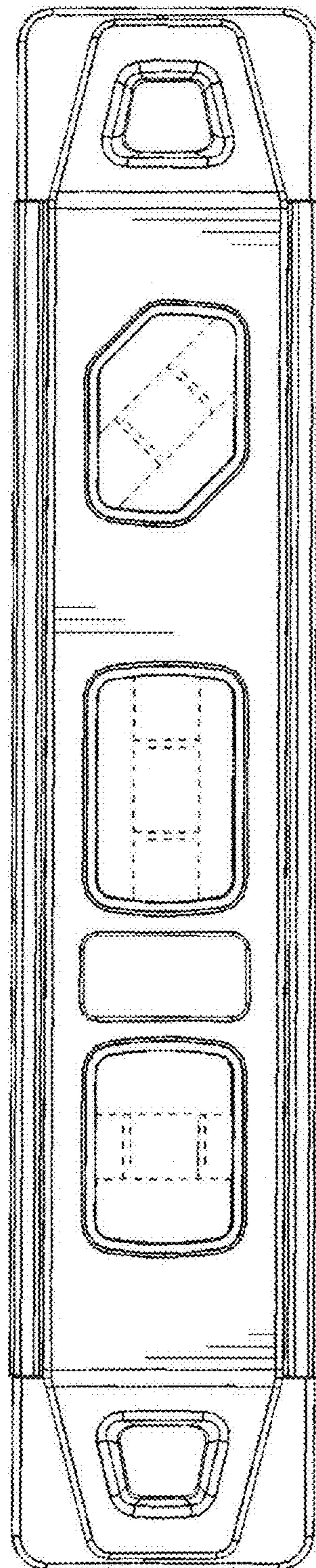


FIG. 3

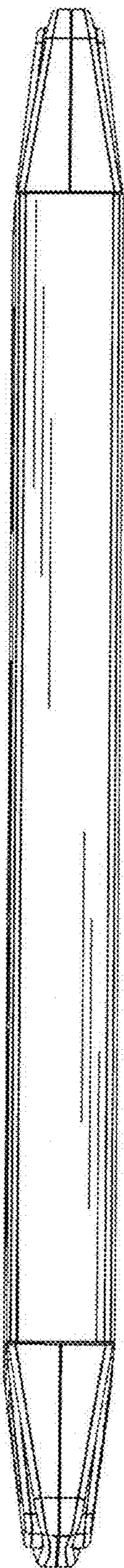


FIG. 4

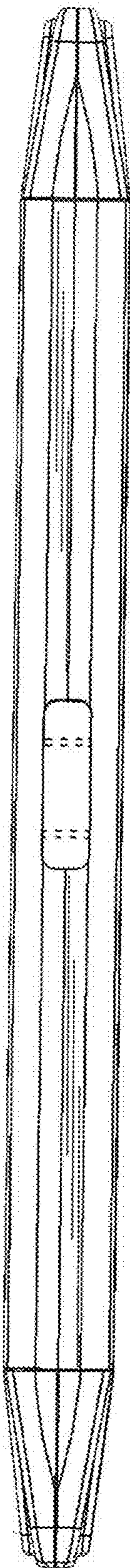


FIG. 5

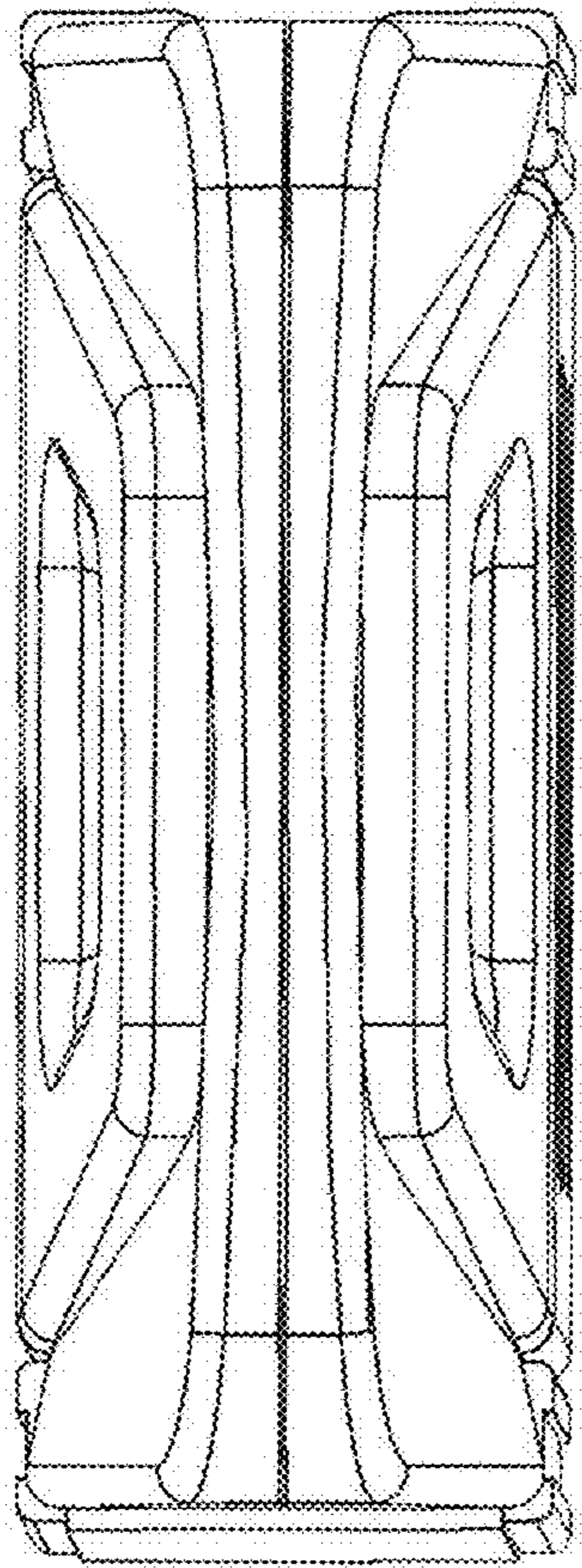


FIG. 6

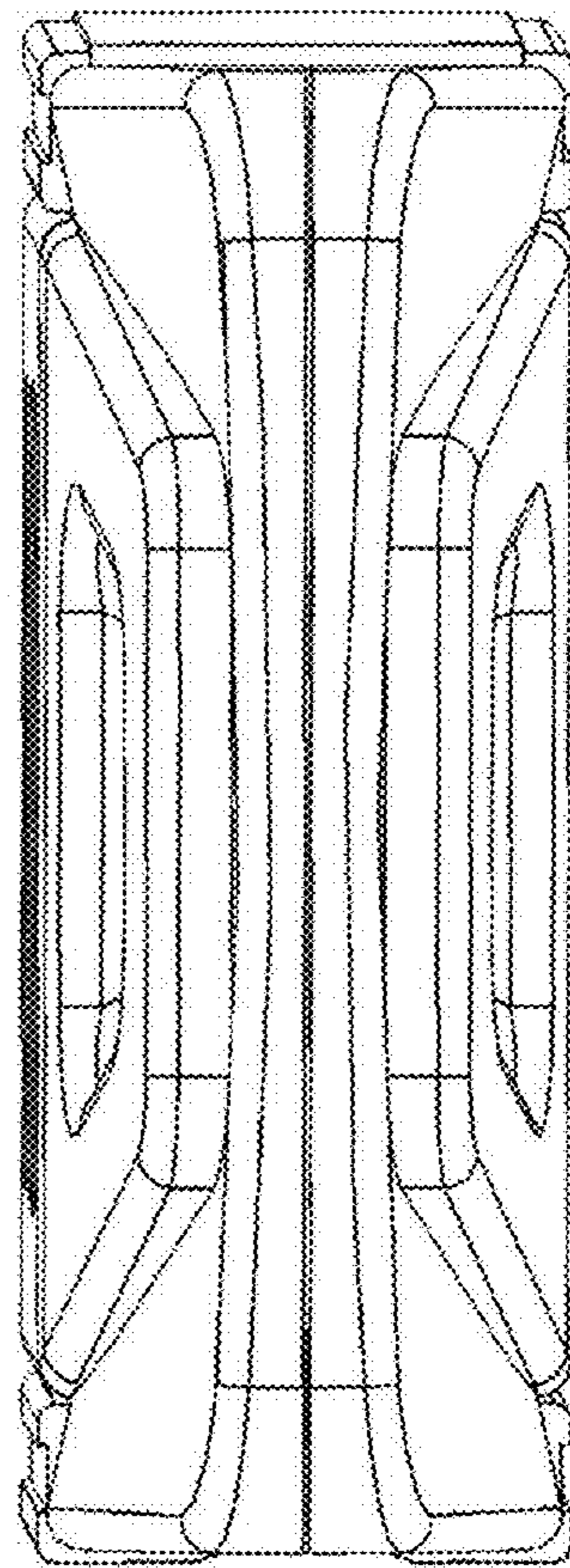


FIG. 7

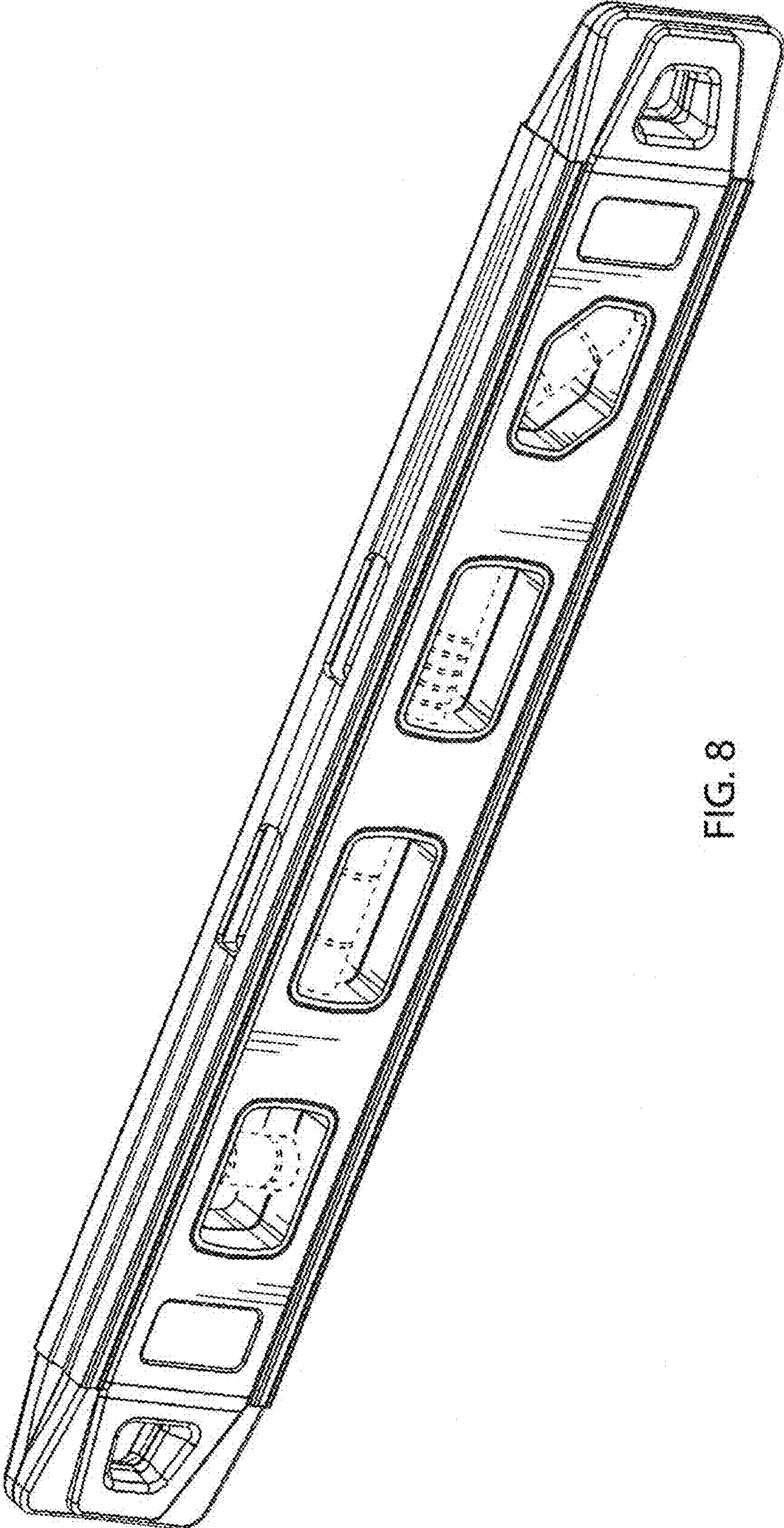


FIG. 8

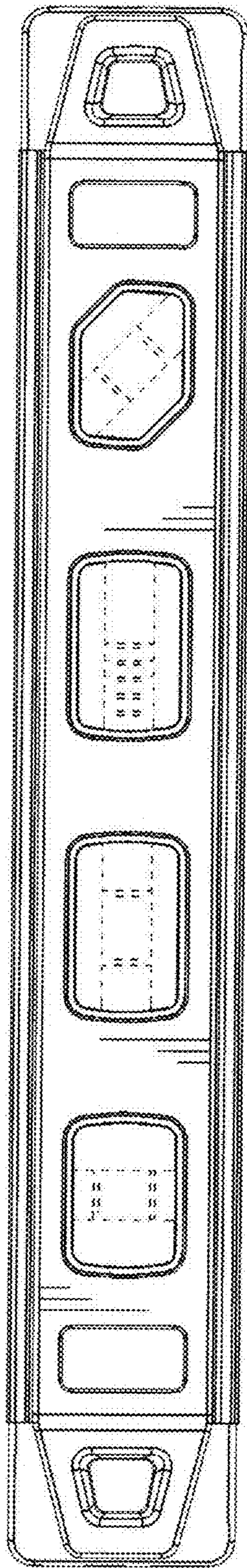


FIG. 9

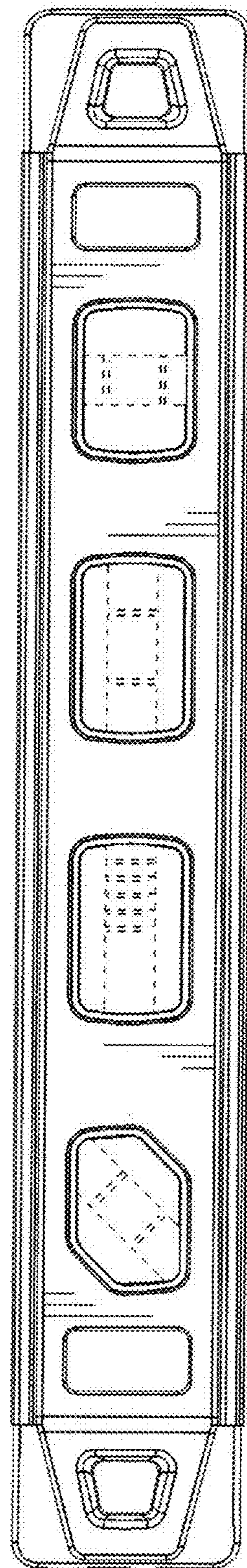


FIG. 10

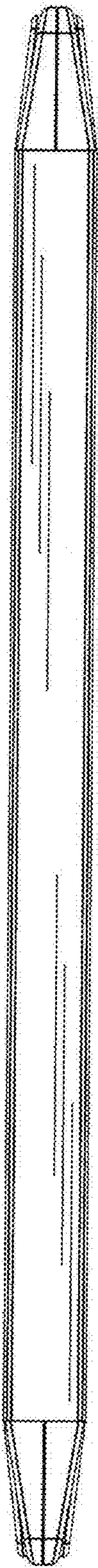


FIG. 11

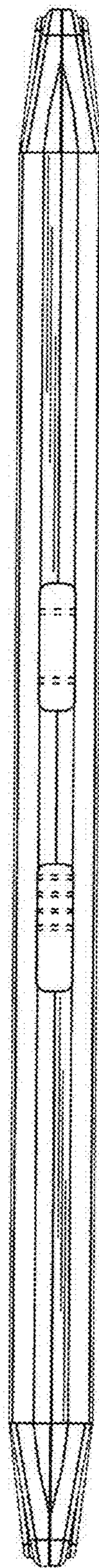


FIG. 12



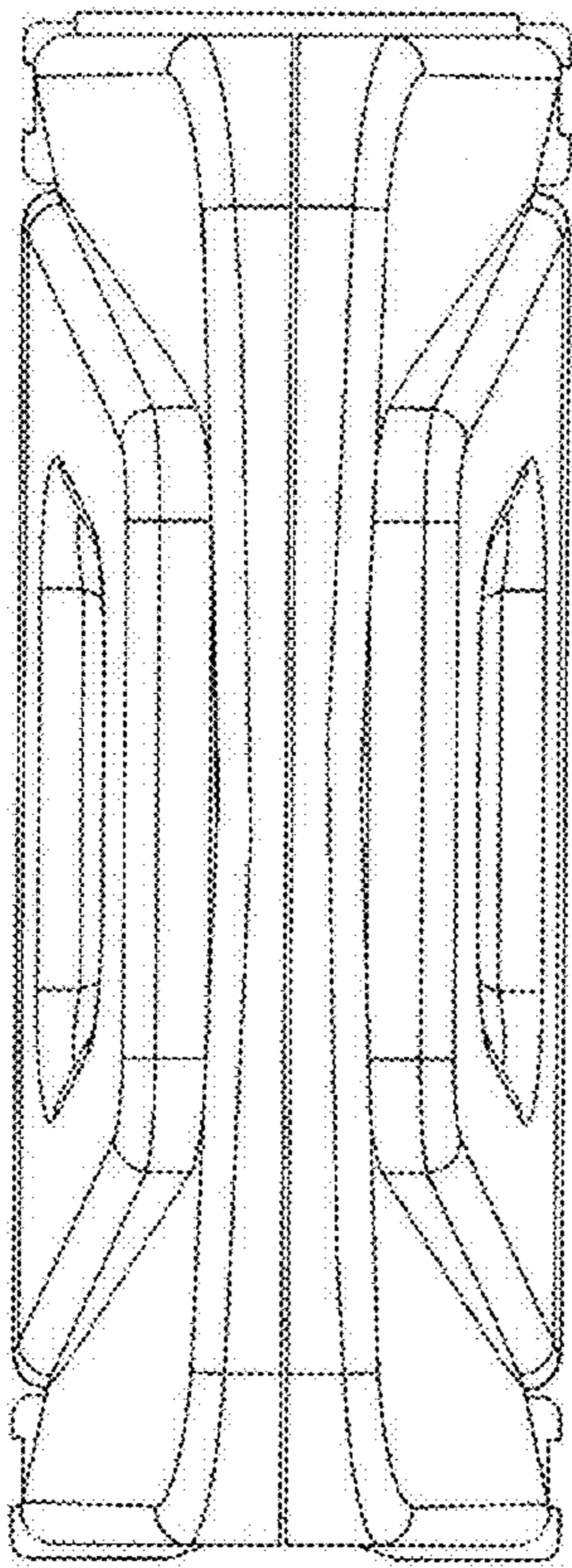


FIG. 13

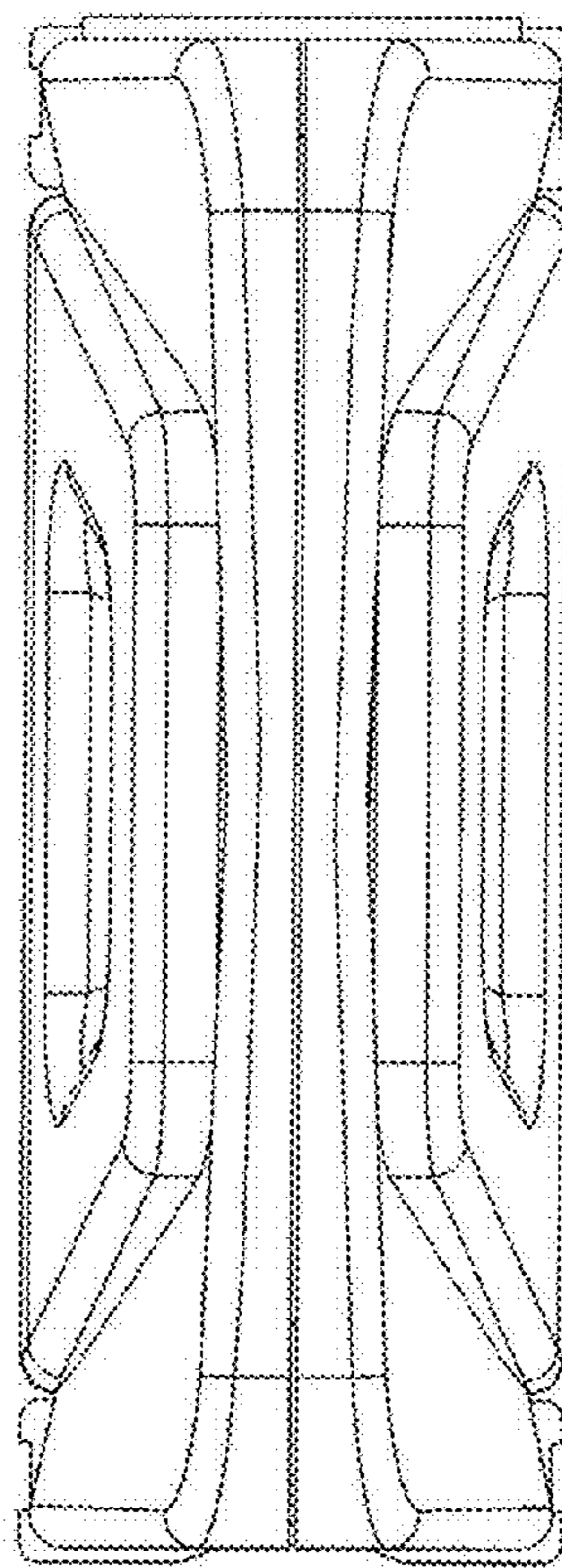


FIG. 14