



US00D723955S

(12) **United States Design Patent**  
**Wojciechowski et al.**

(10) **Patent No.:** **US D723,955 S**  
(45) **Date of Patent:** **\*\* Mar. 10, 2015**

- (54) **ELECTRONIC TORPEDO LEVEL**
- (71) Applicant: **Johnson Level & Tool Mfg. Co., Inc.**,  
Mequon, WI (US)
- (72) Inventors: **Timothy J. Wojciechowski**, Hubertus,  
WI (US); **Dave Statza**, Menomonee  
Falls, WI (US)
- (73) Assignee: **Johnson Level & Tool Mfg. Co., Inc.**,  
Mequon, WI (US)
- (\*\*) Term: **14 Years**
- (21) Appl. No.: **29/473,787**
- (22) Filed: **Nov. 26, 2013**
- (51) **LOC (10) Cl.** ..... **10-04**
- (52) **U.S. Cl.**  
USPC ..... **D10/69**
- (58) **Field of Classification Search**  
CPC ..... G01C 9/18; G01C 9/24; G01C 9/26;  
G01C 9/28; G01C 9/32; G10C 9/34  
USPC ..... D10/69; 33/365, 366.11-366.27,  
33/367-391  
See application file for complete search history.

D472,168 S	3/2003	Levinson	
6,568,095 B2	5/2003	Snyder	
D507,194 S	7/2005	Budrow et al.	
D513,198 S	12/2005	Levinson	
D519,863 S	5/2006	Kim	
D521,882 S	5/2006	Kim	
7,152,335 B2	12/2006	Nichols	
D536,999 S *	2/2007	Chen .....	D10/69
D582,302 S	12/2008	Johnson et al.	
D625,630 S	10/2010	Levinson	
D628,914 S	12/2010	Kim et al.	
7,946,045 B2	5/2011	Allemant	
8,061,051 B2	11/2011	Allemant	
D694,659 S	12/2013	Yong et al.	

\* cited by examiner

*Primary Examiner* — Antoine D Davis  
(74) *Attorney, Agent, or Firm* — Boyle Fredrickson, S.C.

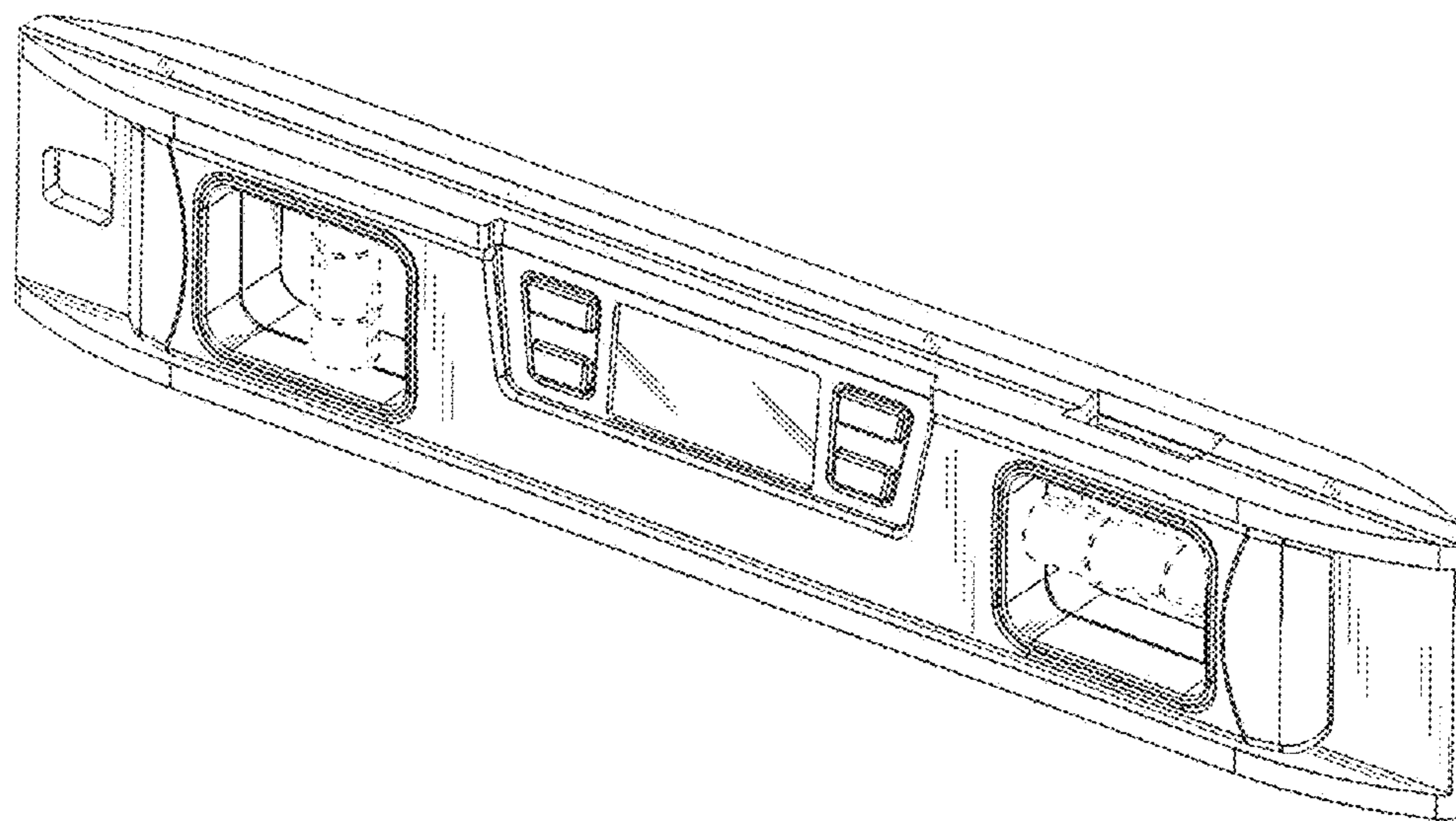
(57) **CLAIM**  
The ornamental design of an electronic torpedo level, as shown and described.

**DESCRIPTION**

FIG. 1 is an isometric view of an electronic torpedo level incorporating our new design, wherein the portions in phantom form no part of the claimed design; FIG. 2 is a front elevation view thereof; FIG. 3 is a right side elevation view thereof; FIG. 4 is a top plan view thereof; FIG. 5 is a left end elevation view thereof; FIG. 6 is a bottom plan view thereof; and, FIG. 7 is a rear elevation view thereof.

**1 Claim, 7 Drawing Sheets**

- (56) **References Cited**  
U.S. PATENT DOCUMENTS
- D332,226 S 1/1993 Hutchins et al.
- D412,857 S 8/1999 Howard et al.
- D415,436 S 10/1999 Martone
- D469,370 S 1/2003 Gruetzmacher et al.



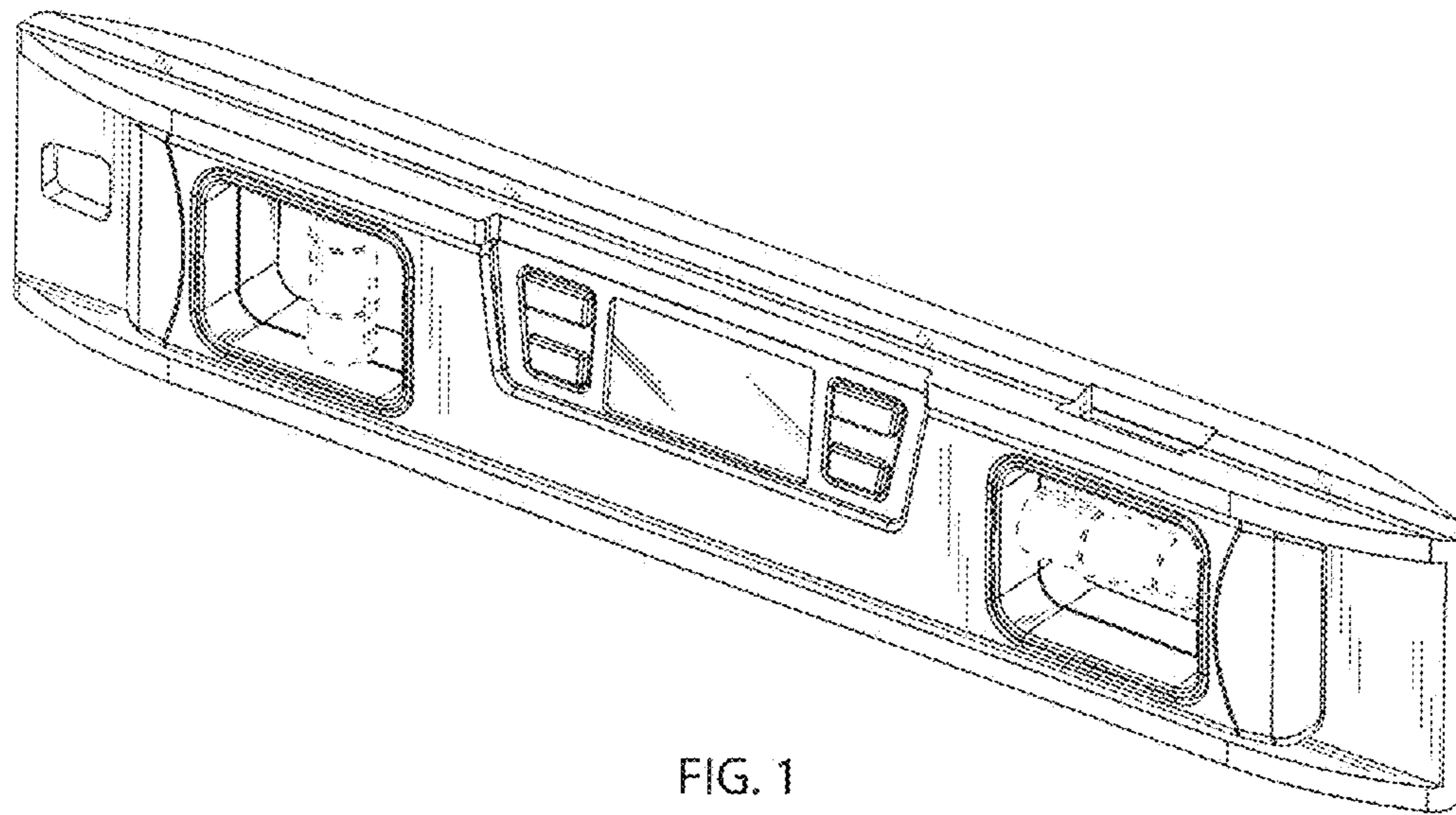


FIG. 1

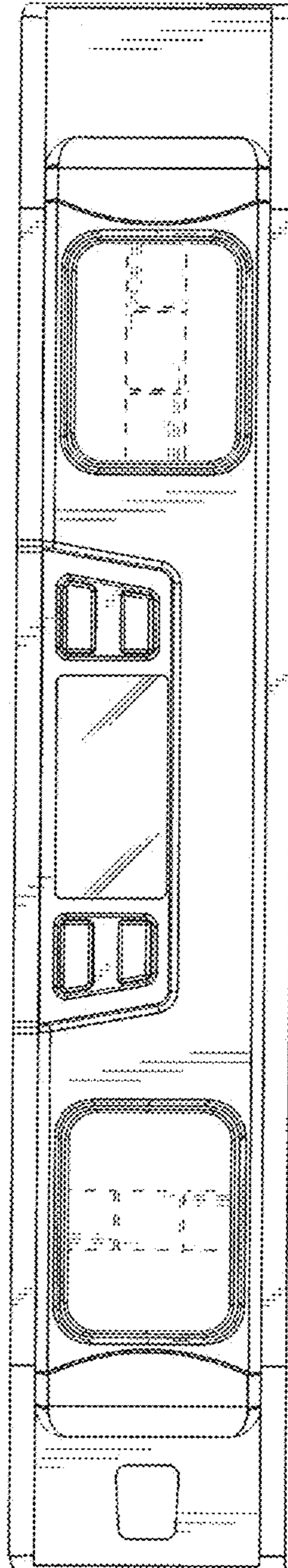


FIG. 2

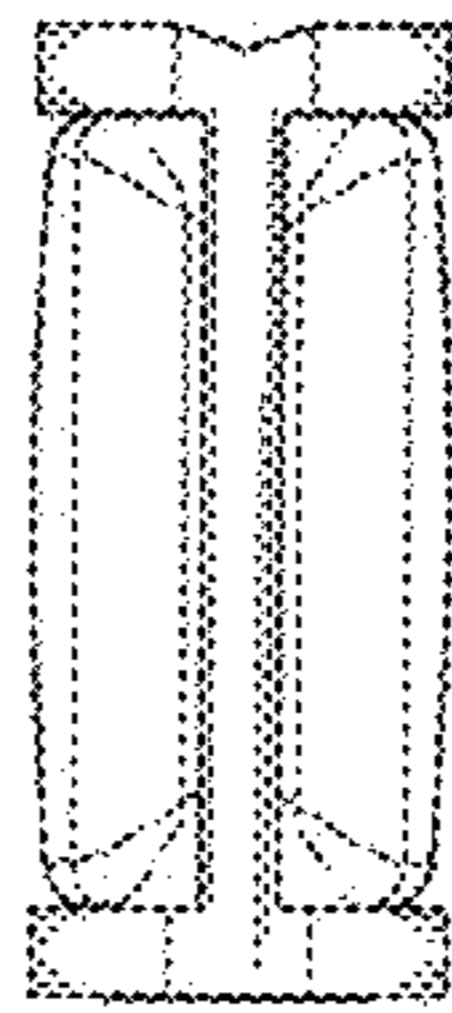


FIG. 3



FIG. 4

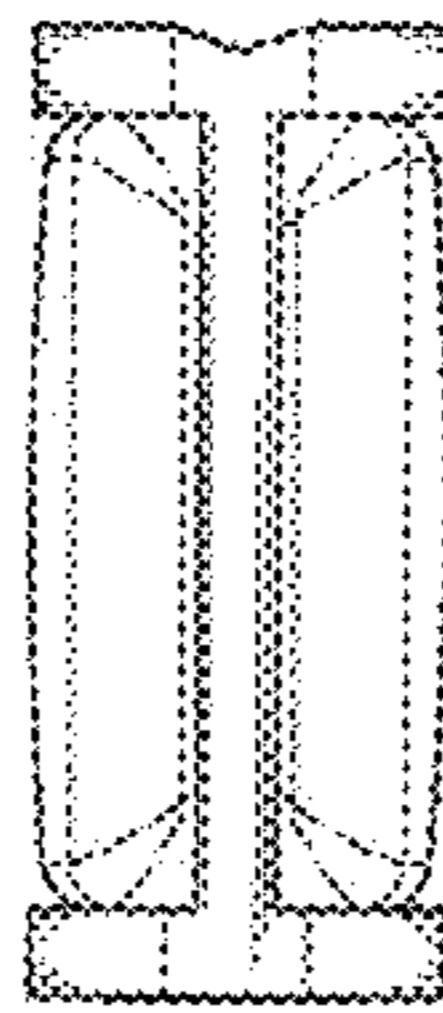


FIG. 5

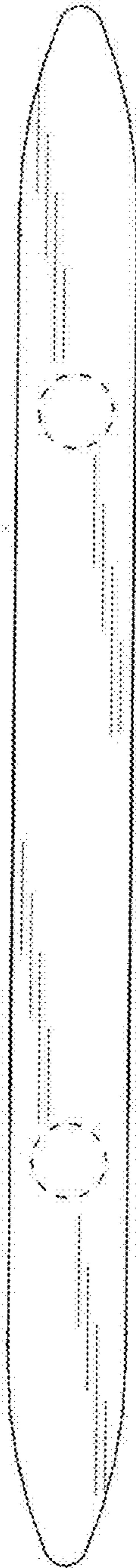


FIG. 6

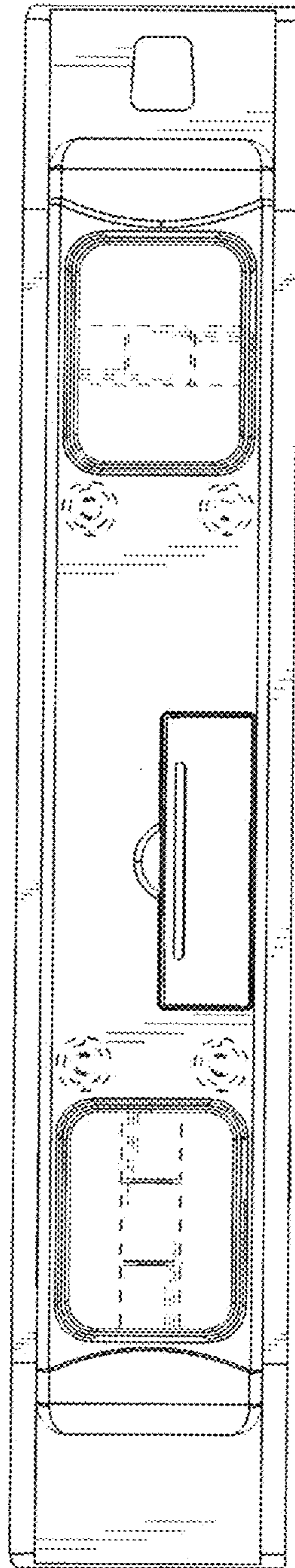


FIG. 7