



US00D723954S

(12) **United States Design Patent**  
**Christianson**

(10) **Patent No.:** **US D723,954 S**  
(45) **Date of Patent:** **\*\* Mar. 10, 2015**

(54) **ANGULAR INDICATOR TOOL**

(71) Applicant: **Empire Level Mfg. Corp.**, Mukwonago, WI (US)

(72) Inventor: **John Christianson**, Waukesha, WI (US)

(73) Assignee: **Empire Level Mfg. Corp.**, Mukwonago, WI (US)

(\*\*) Term: **14 Years**

(21) Appl. No.: **29/467,125**

(22) Filed: **Sep. 16, 2013**

(51) **LOC (10) Cl.** ..... **10-04**

(52) **U.S. Cl.**  
USPC ..... **D10/69**

(58) **Field of Classification Search**  
CPC ..... G01C 9/18; G01C 9/26; G01C 9/32;  
G01C 9/28; G01C 9/34  
USPC ..... D10/69; 33/365, 367, 371, 381, 382,  
33/481, 529, DIG. 10, 366.11-366.27  
See application file for complete search history.

(56) **References Cited**

U.S. PATENT DOCUMENTS

555,771 A	3/1896	Hohnbaum	
657,443 A	9/1900	Newton	
1,422,231 A	7/1922	Stanley	
1,794,254 A *	2/1931	Sherwood	33/373
1,892,622 A	12/1932	Mayes	
2,419,941 A	5/1947	Belzung	
2,635,350 A	4/1953	Bettega	
2,695,949 A *	11/1954	Ashwill	33/348.2
2,816,369 A	12/1957	Becker	
3,299,523 A *	1/1967	Lea	33/366.21
3,435,533 A	4/1969	Whitfield	
3,513,558 A	5/1970	Kutchta et al.	
3,771,232 A *	11/1973	Specht	33/375
4,274,208 A	6/1981	Yakkel	
4,338,725 A	7/1982	Martin et al.	
4,394,799 A	7/1983	Moree et al.	

(Continued)

FOREIGN PATENT DOCUMENTS

CN 2648404 Y 10/2004  
EP 1122512 A1 8/2001

(Continued)

OTHER PUBLICATIONS

Klein Tools. Levels Innovative Leveling Solutions brochure. Date: Copyright 2012. 4 pages.

*Primary Examiner* — Antoine D Davis

(74) *Attorney, Agent, or Firm* — Michael Best & Friedrich LLP

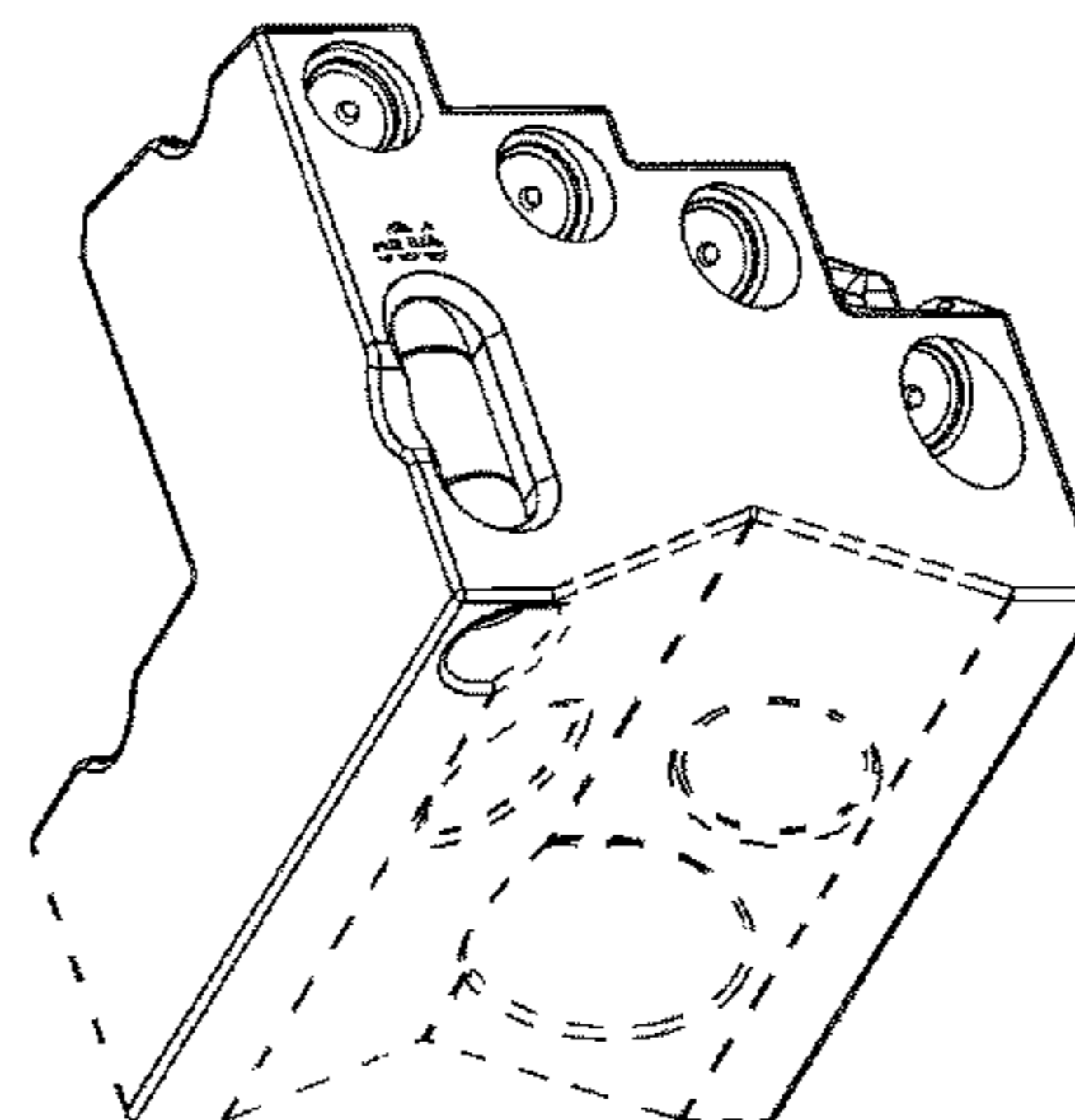
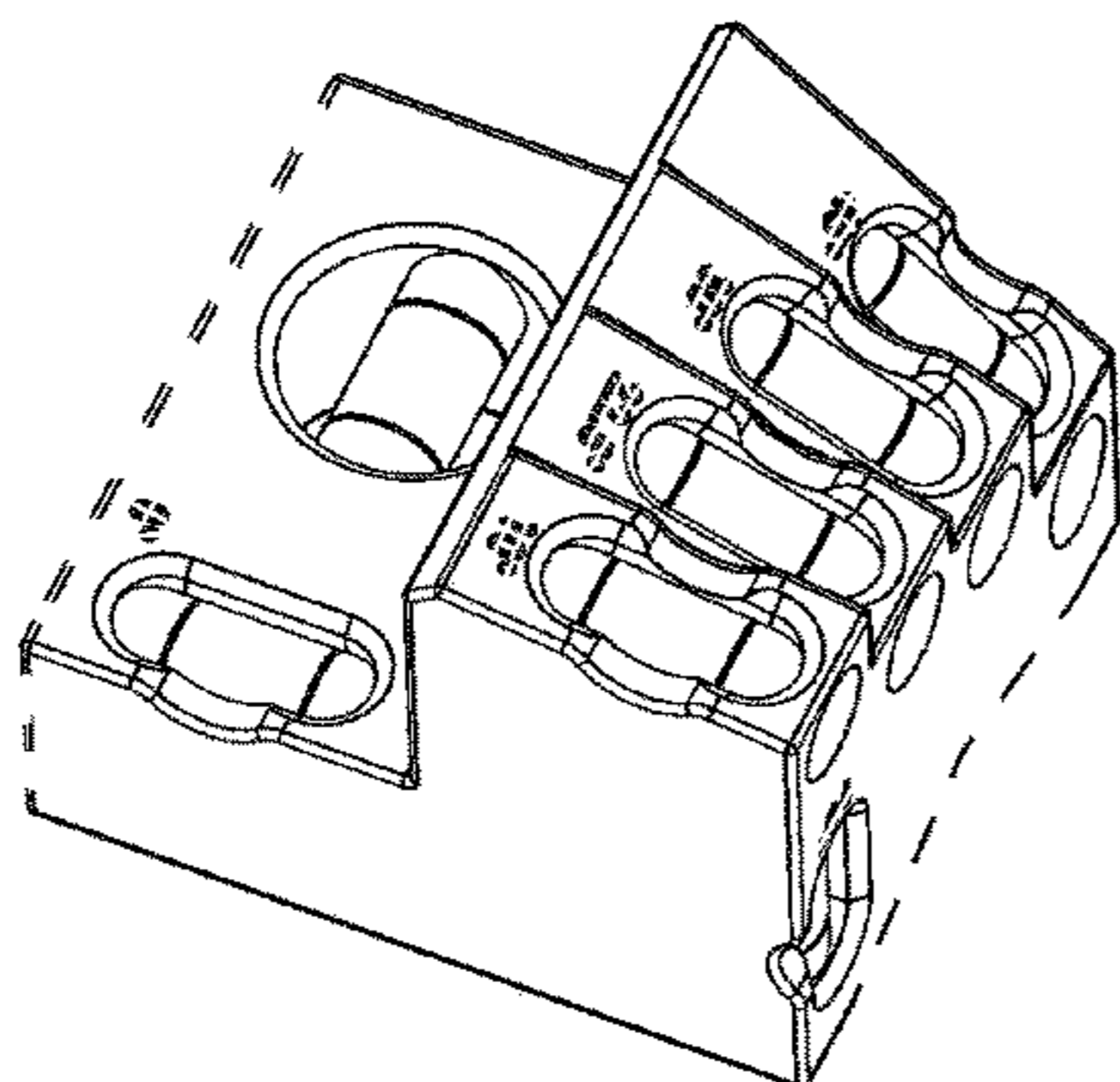
(57) **CLAIM**

The ornamental design for an angular indicator tool, as shown and described.

**DESCRIPTION**

FIG. 1 is a top perspective view of the angular indicator tool; FIG. 2 is a bottom perspective view of the angular indicator tool of FIG. 1; FIG. 3 is a front elevation of the angular indicator tool of FIG. 1; FIG. 4 is a rear elevation of the angular indicator tool of FIG. 1; FIG. 5 is a right-side elevation of the angular indicator tool of FIG. 1; FIG. 6 is a left-side elevation of the angular indicator tool of FIG. 1; FIG. 7 is a top view of the angular indicator tool of FIG. 1; and, FIG. 8 is a bottom view of the angular indicator tool of FIG. 1. The phantom lines are provided for illustrative purposes only and form no part of the claimed design.

**1 Claim, 4 Drawing Sheets**



(56)

**References Cited**

U.S. PATENT DOCUMENTS

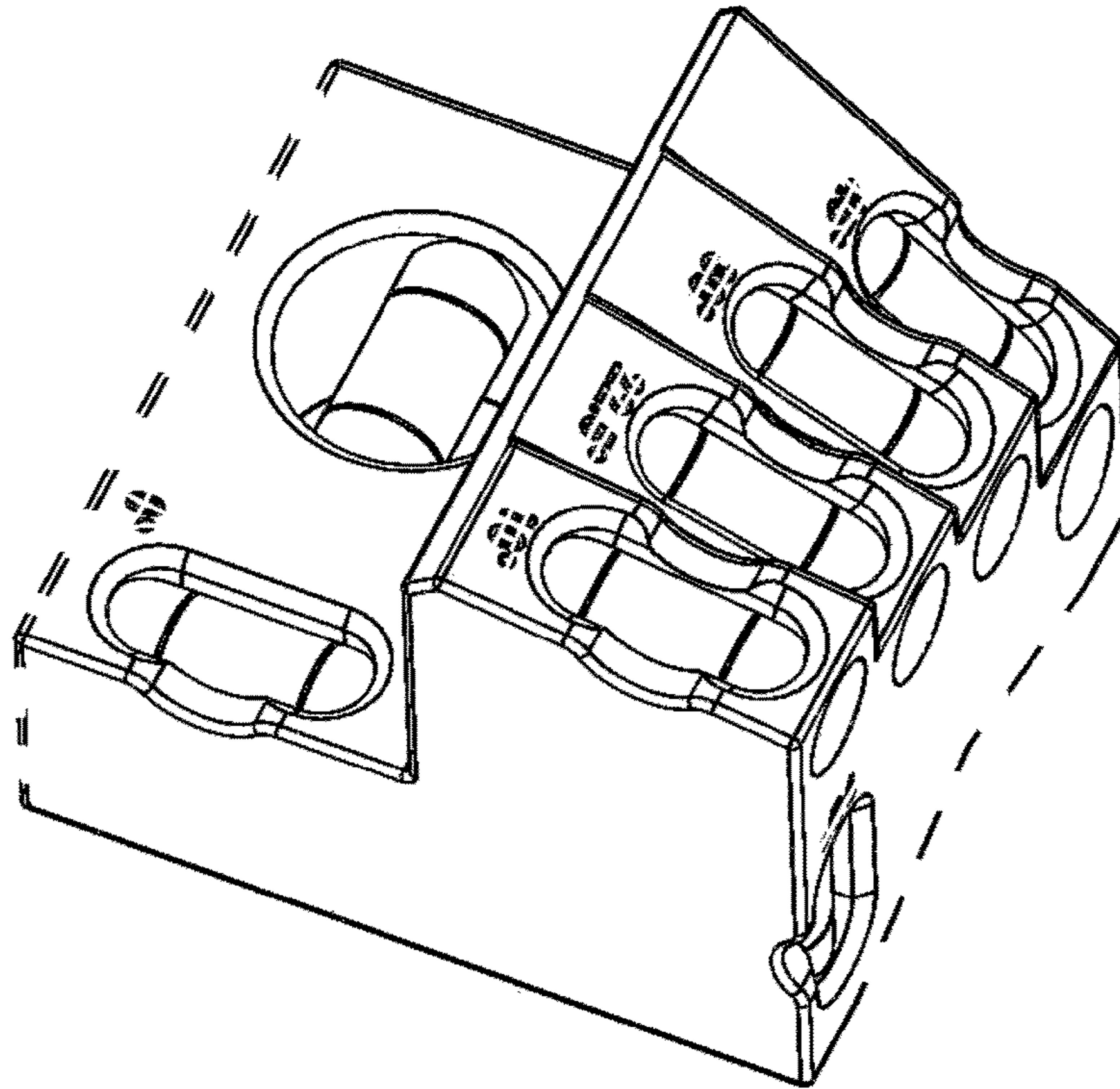
4,473,957 A \* 10/1984 Faulkner ..... 33/666  
4,944,094 A \* 7/1990 Depiano et al. .... 33/371  
4,947,556 A 8/1990 Peil  
5,058,407 A 10/1991 Parker  
D331,025 S \* 11/1992 Friddell ..... D10/69  
5,839,200 A 11/1998 Decesare  
7,117,606 B2 10/2006 Brown  
7,305,773 B2 12/2007 Hios  
7,536,798 B2 5/2009 Silberberg

8,061,051 B2 11/2011 Allemand  
8,281,496 B1 10/2012 Mies  
2009/0313839 A1 12/2009 Spaulding et al.  
2012/0151785 A1 6/2012 Lettkeman et al.

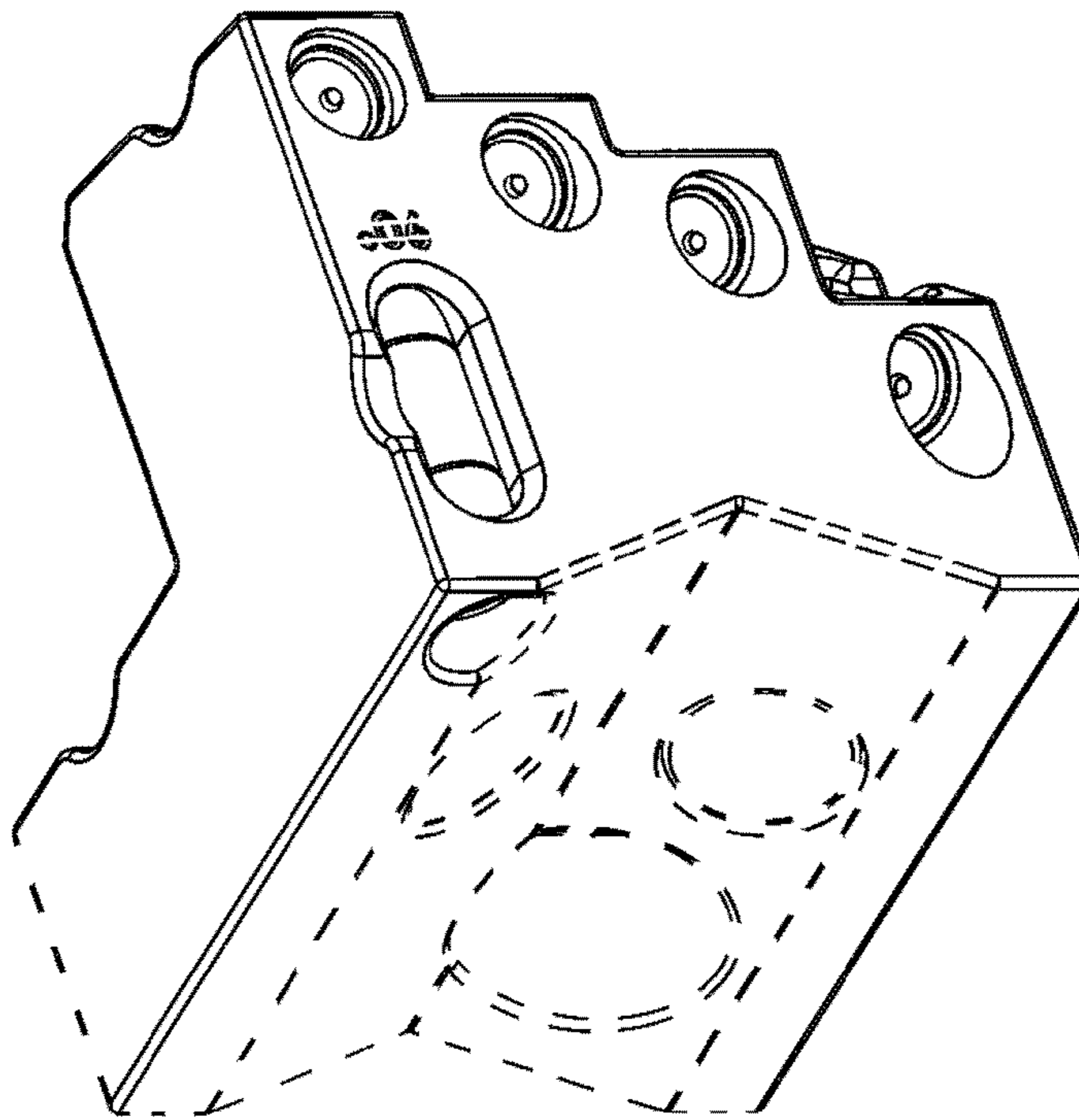
FOREIGN PATENT DOCUMENTS

JP 08219779 A 8/1996  
JP 2004226390 A 8/2004  
JP 2005049266 A 2/2005  
WO 2012074225 A1 6/2012

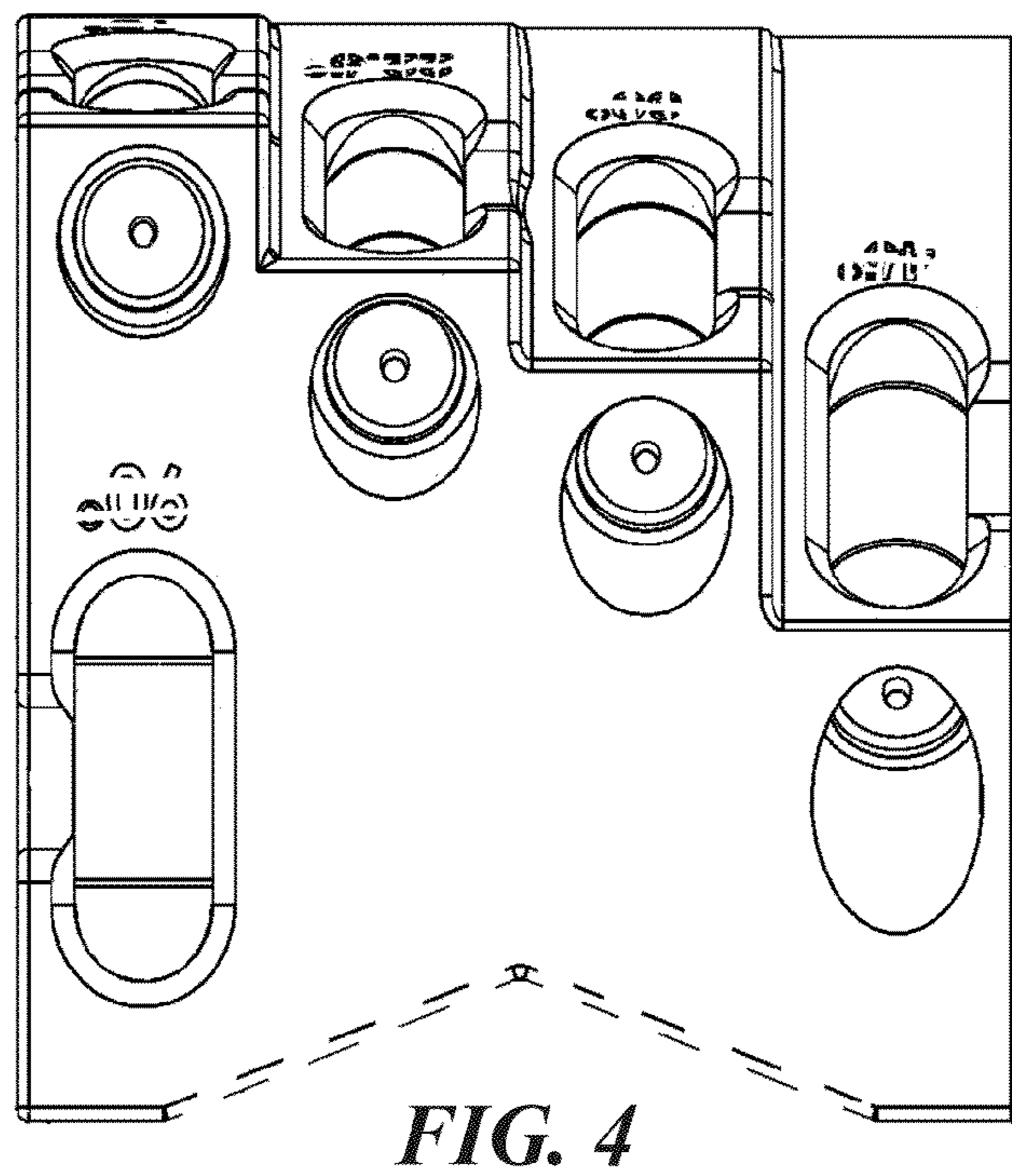
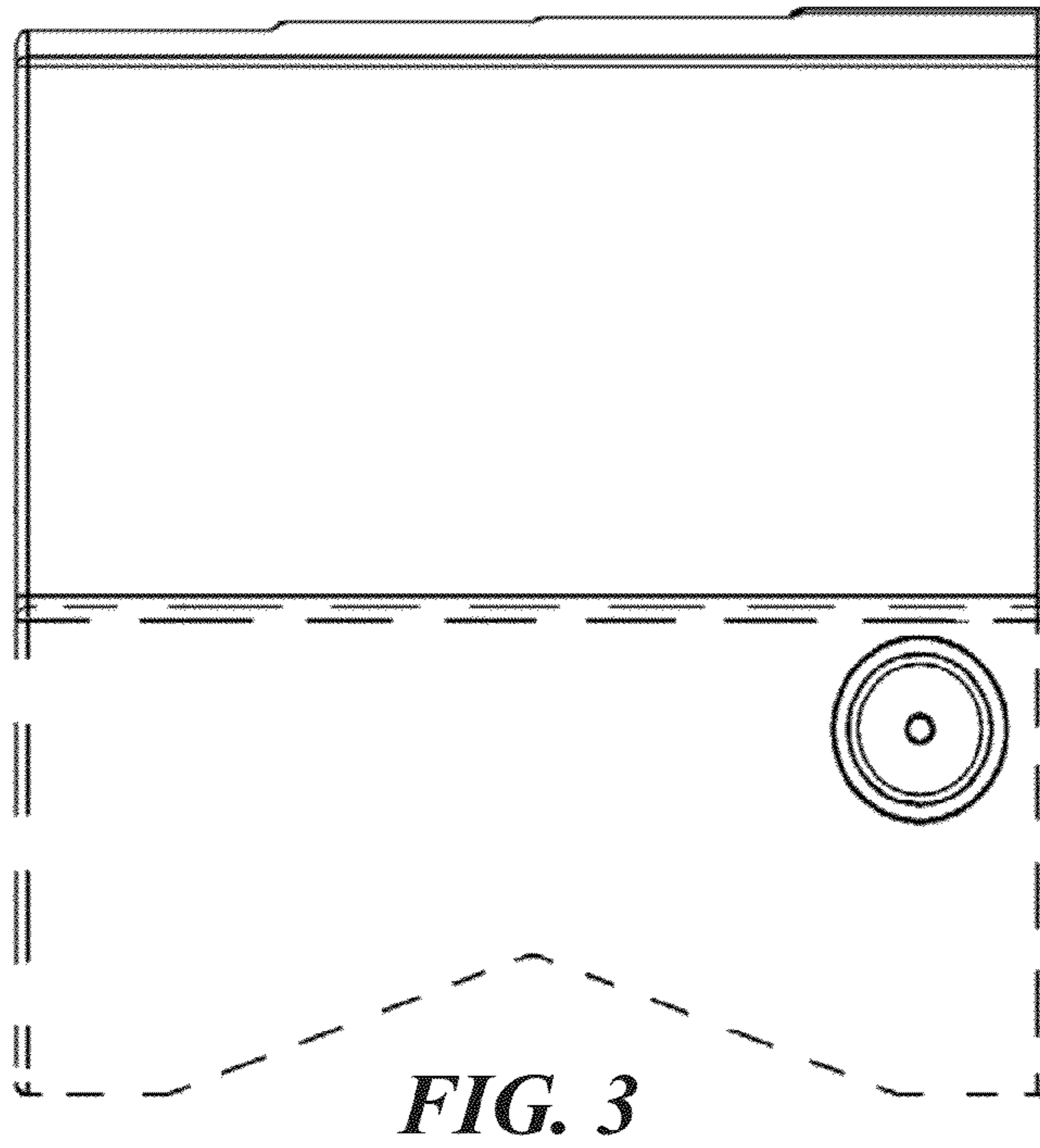
\* cited by examiner

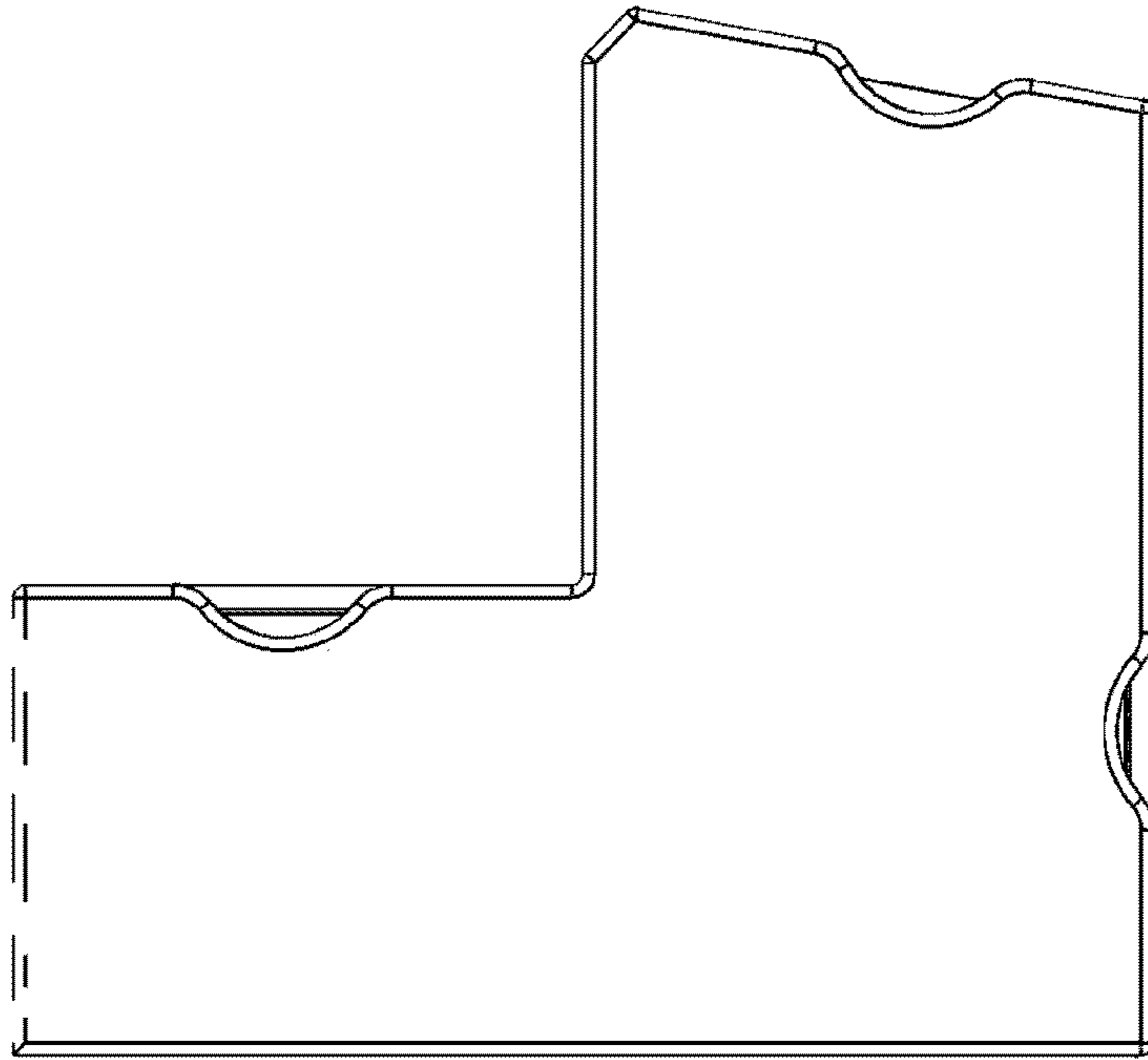


**FIG. 1**

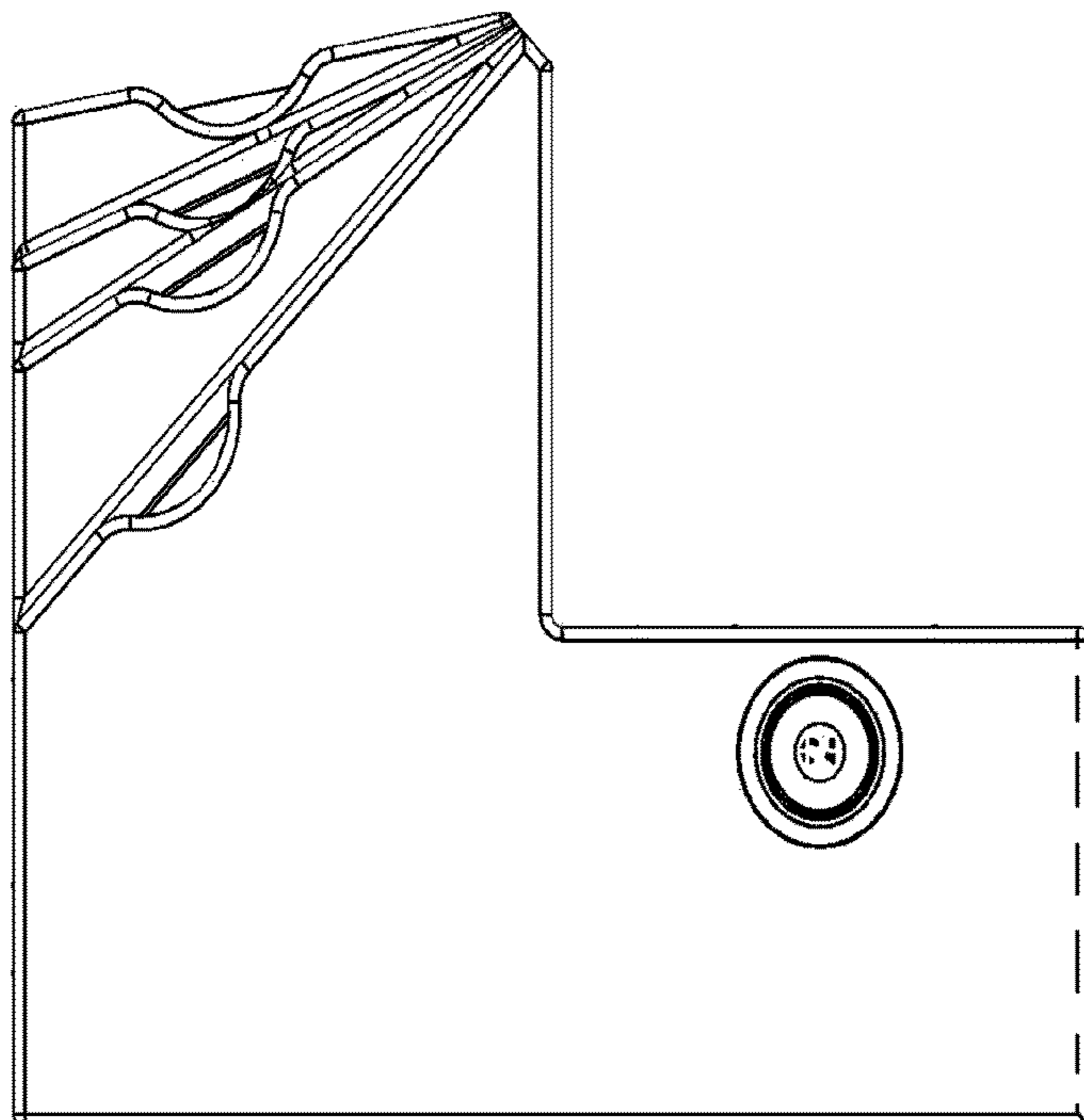


**FIG. 2**

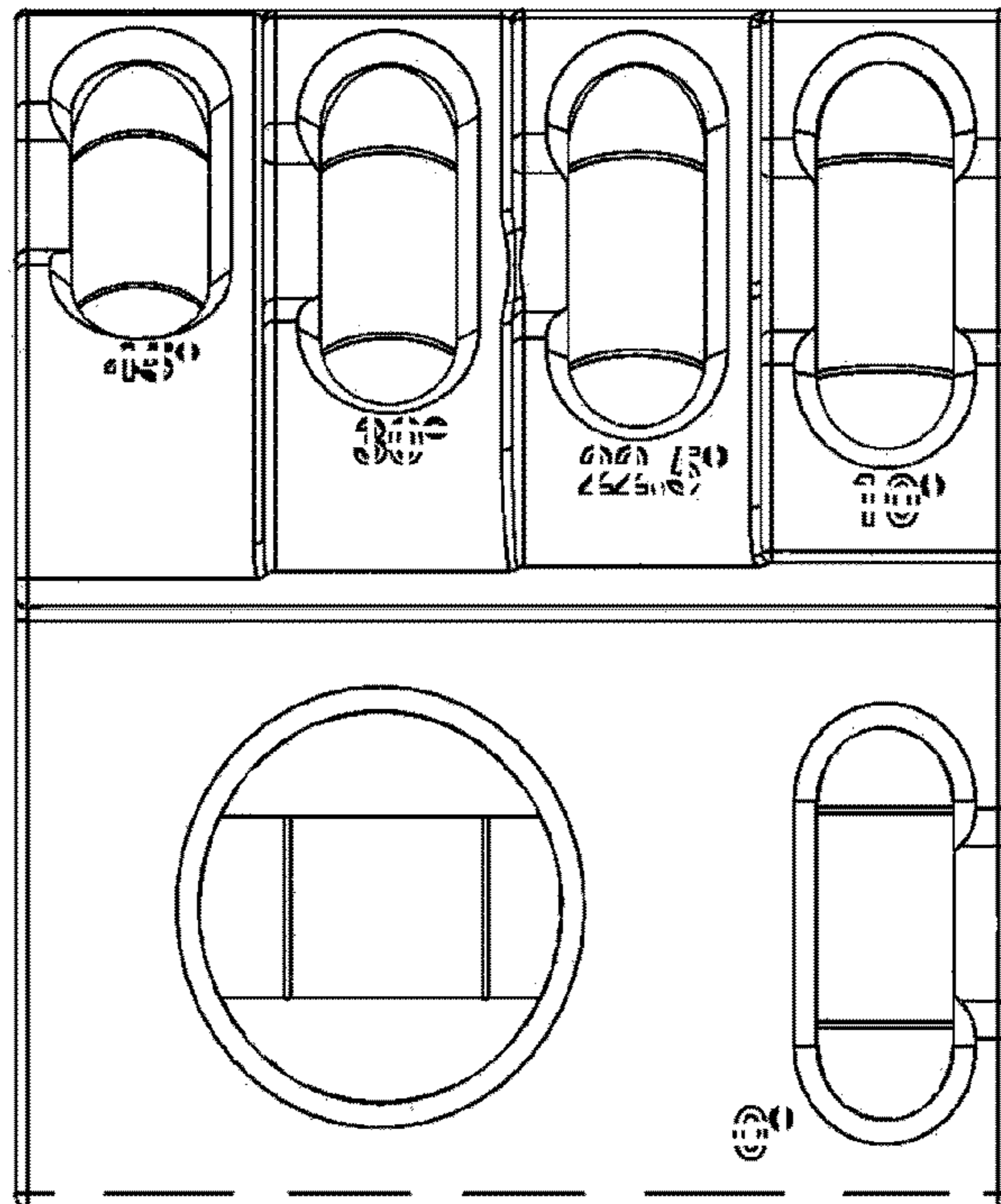




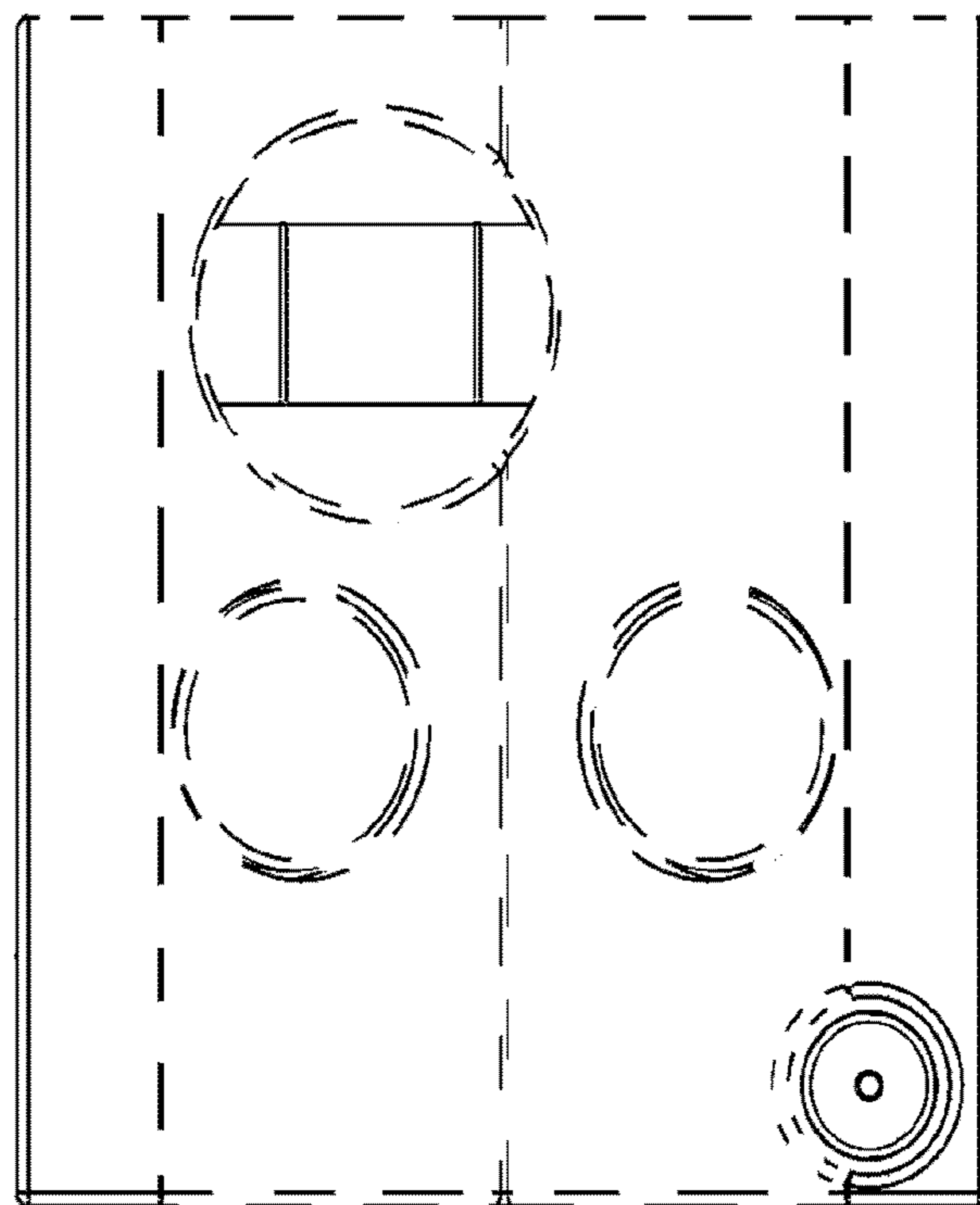
*FIG. 5*



*FIG. 6*



**FIG. 7**



**FIG. 8**