



US00D723953S

(12) **United States Design Patent**  
**Ishii**

(10) **Patent No.:** **US D723,953 S**  
(45) **Date of Patent:** **\*\* Mar. 10, 2015**

(54) **MEASURING DEVICE FOR MEASURING IN THREE-DIMENSION**

(71) Applicant: **Kabushiki Kaisha Topcon**, Tokyo (JP)

(72) Inventor: **Mitsuo Ishii**, Tokyo (JP)

(73) Assignee: **Kabushiki Kaisha Topcon**, Tokyo (JP)

(\*\*) Term: **14 Years**

(21) Appl. No.: **29/480,211**

(22) Filed: **Jan. 24, 2014**

(30) **Foreign Application Priority Data**

Oct. 7, 2013 (JP) ..... 2013-023421

(51) **LOC (10) Cl.** ..... **10-04**

(52) **U.S. Cl.**  
USPC ..... **D10/66**; D10/69; D10/70

(58) **Field of Classification Search**  
CPC ..... G01C 15/00; G01C 15/06; G01C 15/002;  
G01C 21/16; G01C 21/165; G01C 25/00;  
G01C 1/04; G01C 3/08; G01S 19/49; G01S  
19/51; G01S 5/12; G01S 5/16; G01S 17/10;  
G01S 17/42; G01S 7/4818; G01S 33/21;  
G01B 11/26  
USPC ..... D10/66, 69, 70; 33/276, 277, 281, 285,  
33/286, 290, 291–299, DIG. 21; 340/539,  
340/825.36, 825.46, 825.49; 356/5.15,  
356/4.01, 5.01, 4.05, 5.05–5.09, 5.12, 28.5,  
356/345, 375, 3.01, 128–155, 399–400;  
385/83, 97–99, 134–139;  
264/1.24–1.25

See application file for complete search history.

(56) **References Cited**

U.S. PATENT DOCUMENTS

D563,247 S \* 3/2008 Ishii ..... D10/66  
D581,819 S \* 12/2008 Banba et al. .... D10/66  
RE44,751 E \* 2/2014 Riegl ..... D10/66  
D699,768 S \* 2/2014 Zhang et al. .... D15/127  
D708,970 S \* 7/2014 Ishii ..... D10/66

\* cited by examiner

*Primary Examiner* — Antoine D Davis

(74) *Attorney, Agent, or Firm* — Oliff PLC

(57) **CLAIM**

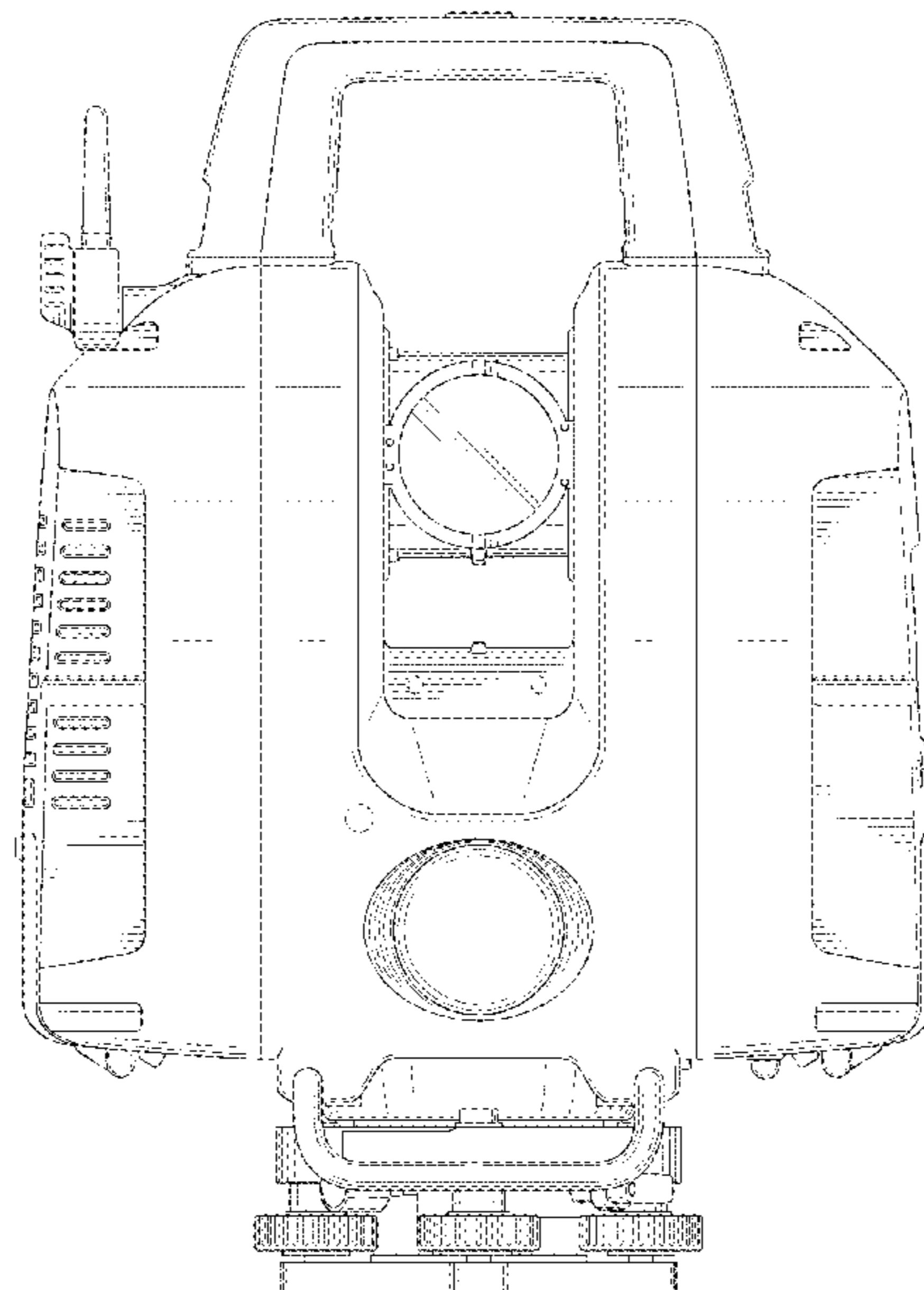
The ornamental design for a measuring device for measuring in three-dimension, as shown and described.

**DESCRIPTION**

FIG. 1 is a front elevational view of the measuring device for measuring in three-dimension;  
FIG. 2 is a rear elevational view thereof;  
FIG. 3 is a left side elevational view thereof;  
FIG. 4 is a right side elevational view thereof;  
FIG. 5 is a top plan view thereof;  
FIG. 6 is a bottom plan view thereof;  
FIG. 7 is a perspective view thereof; and,  
FIG. 8 is a perspective view thereof.

The broken lines depict environmental subject matter only and form no part of the claimed design. The light and shade illustrated by the surface of each figure are intended to identify a three-dimensional surface shape. The circular window part of the front center upper is transparent.

**1 Claim, 8 Drawing Sheets**



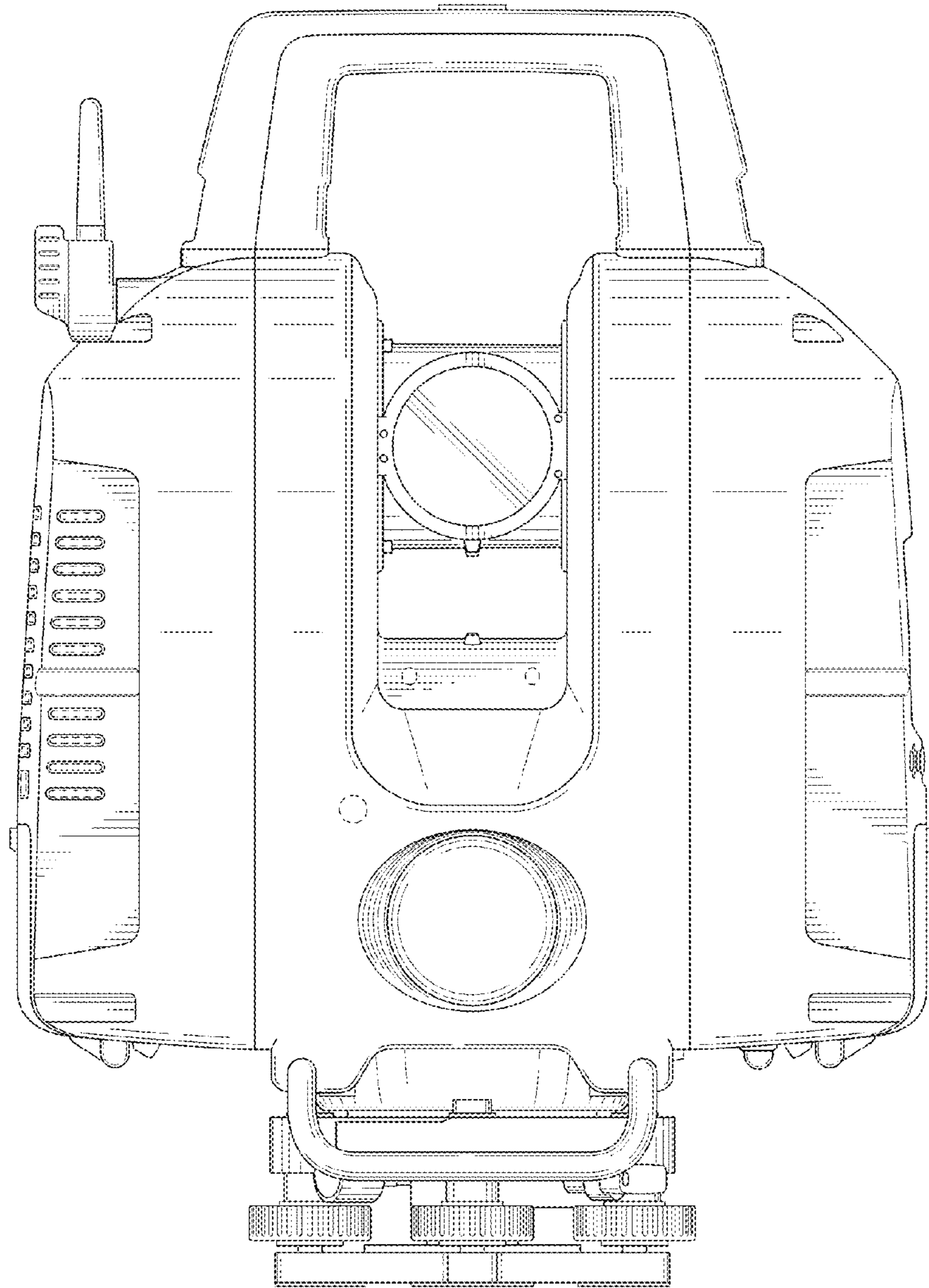


FIG. 1

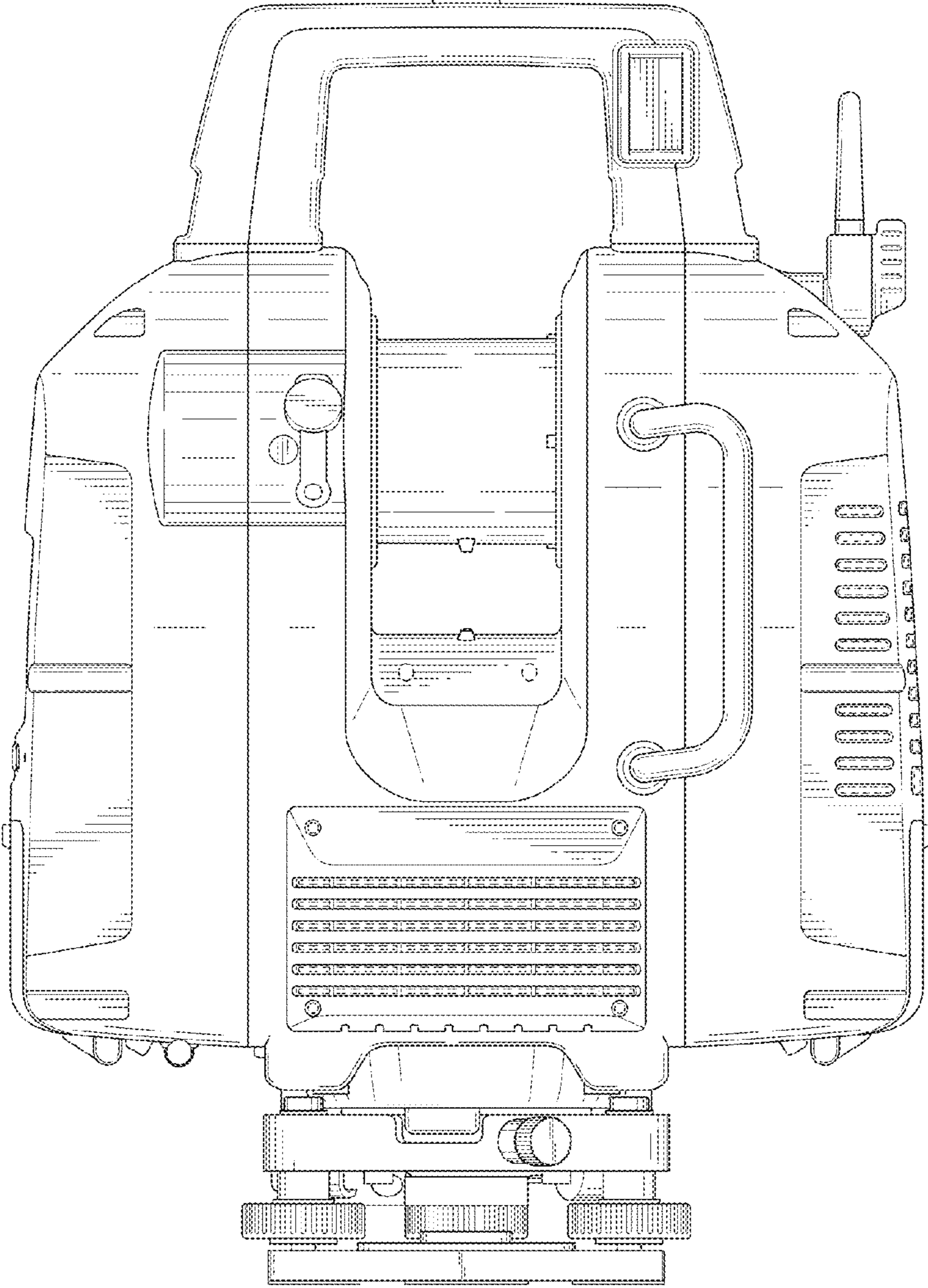


FIG. 2



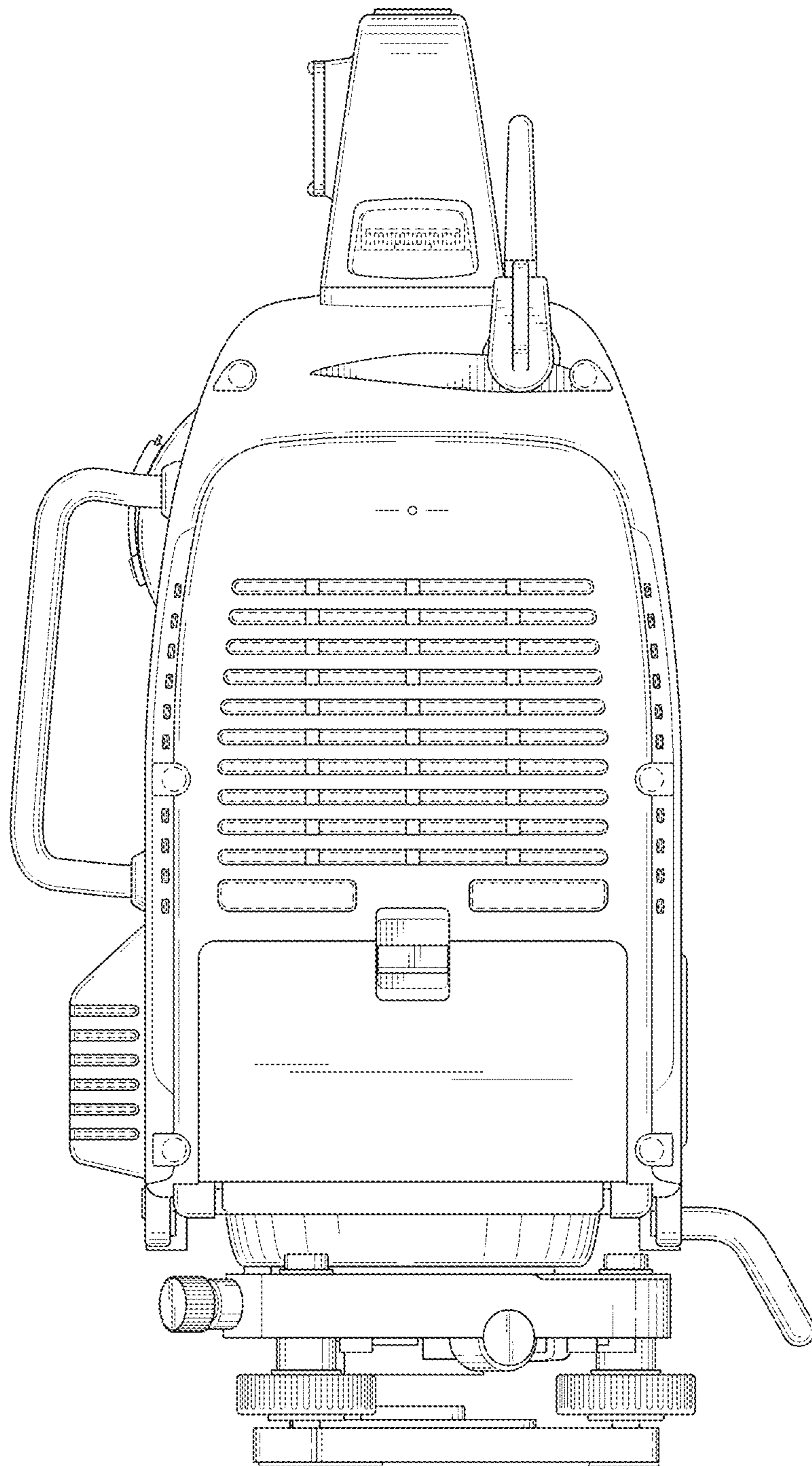


FIG. 3

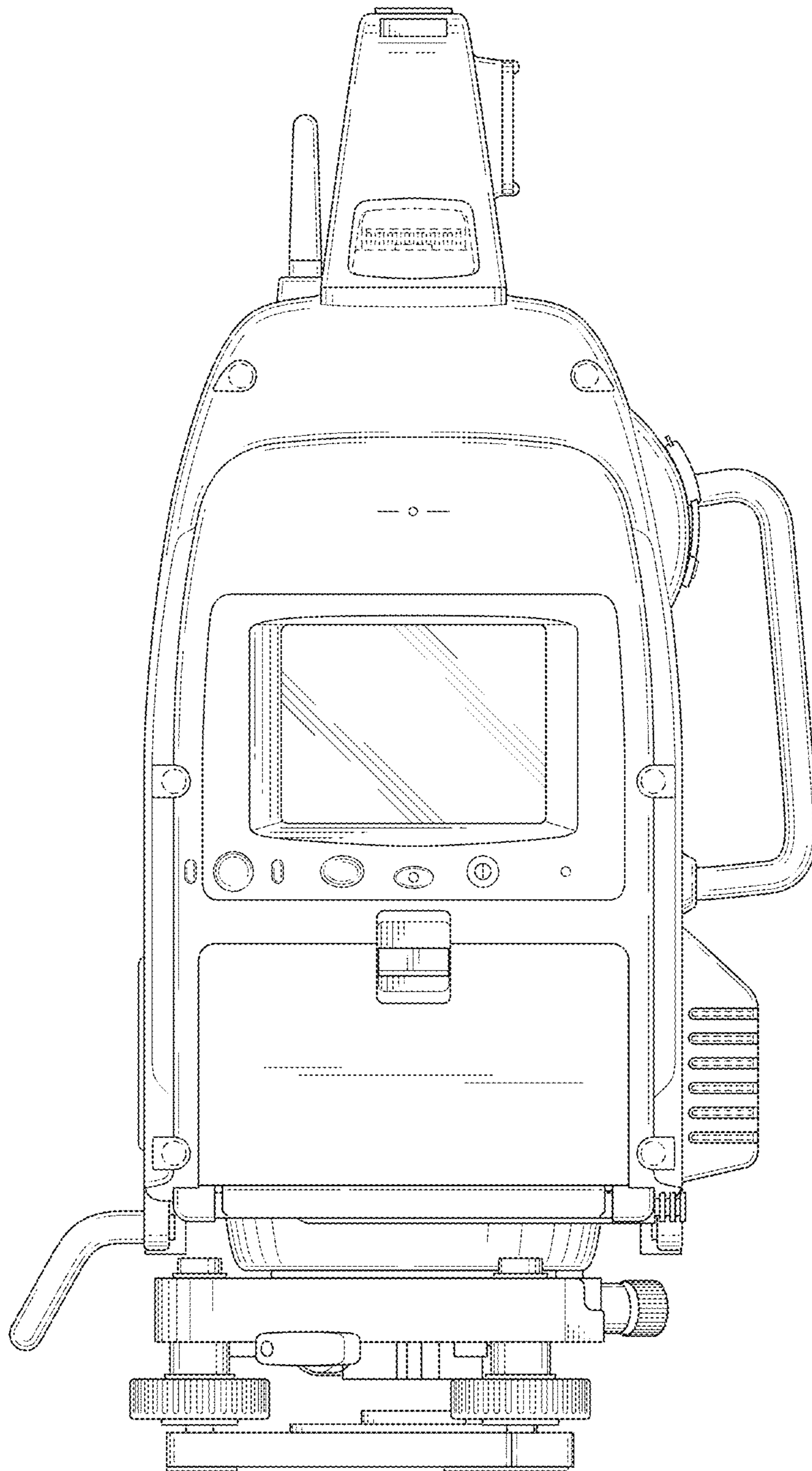


FIG. 4

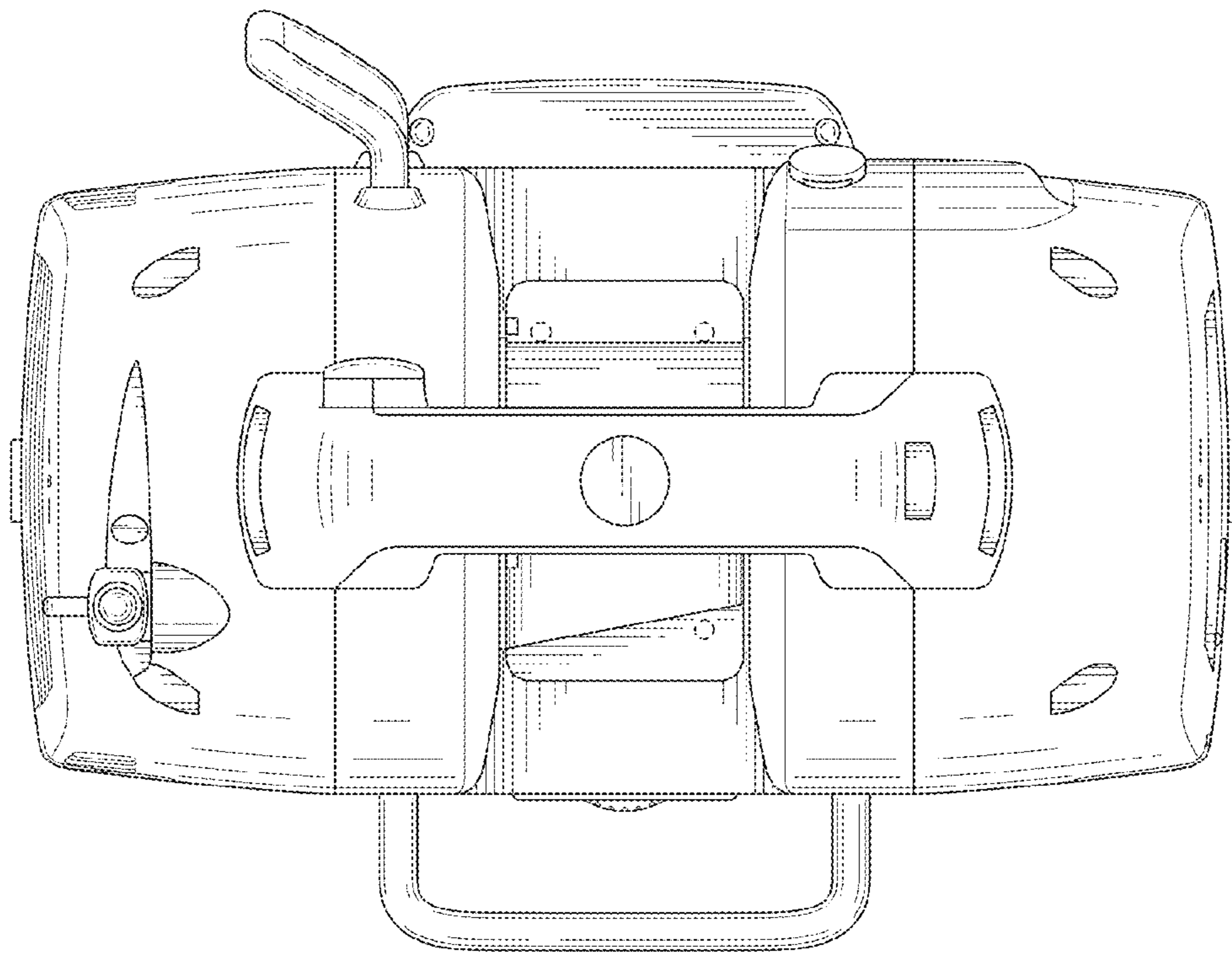


FIG. 5

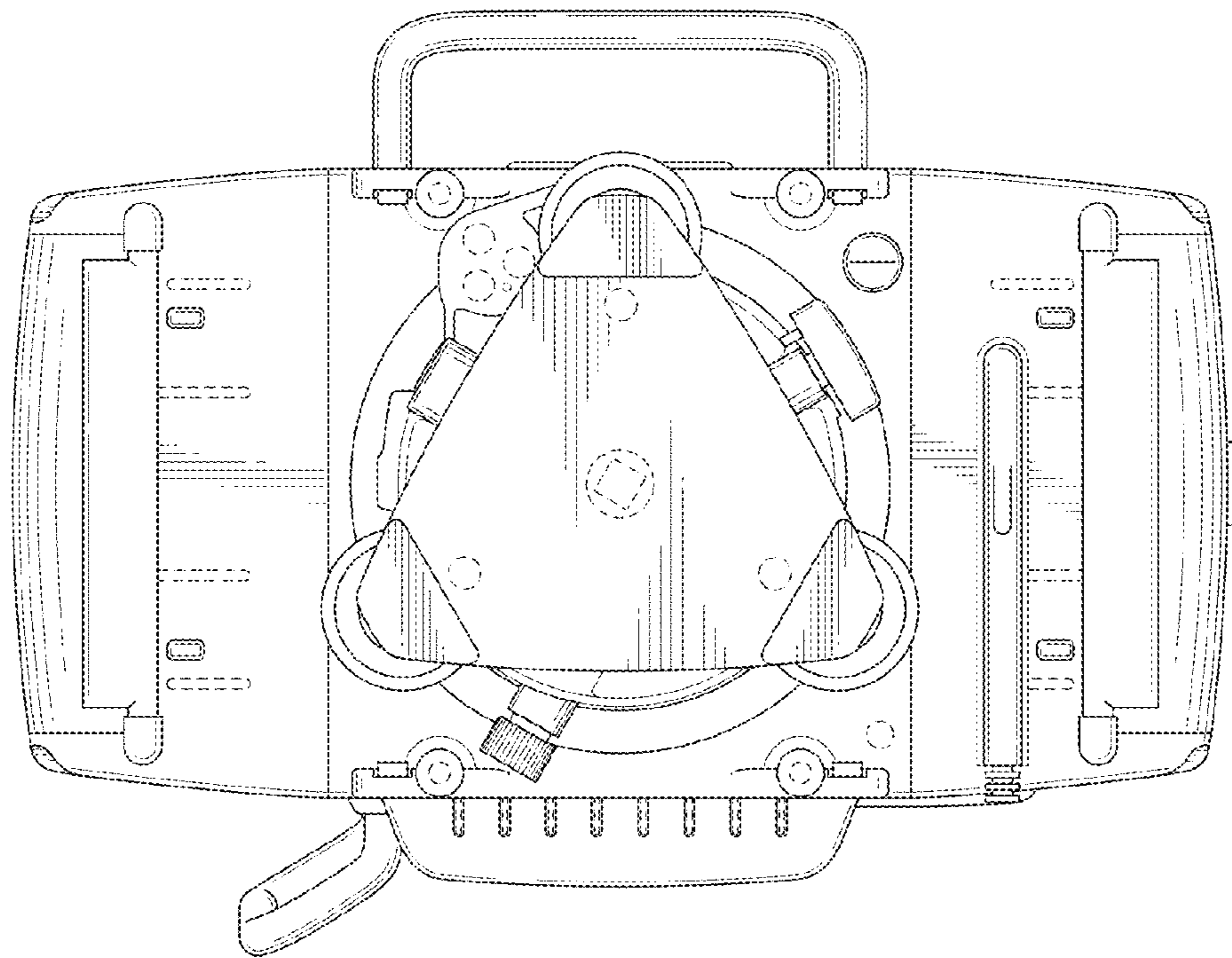


FIG. 6



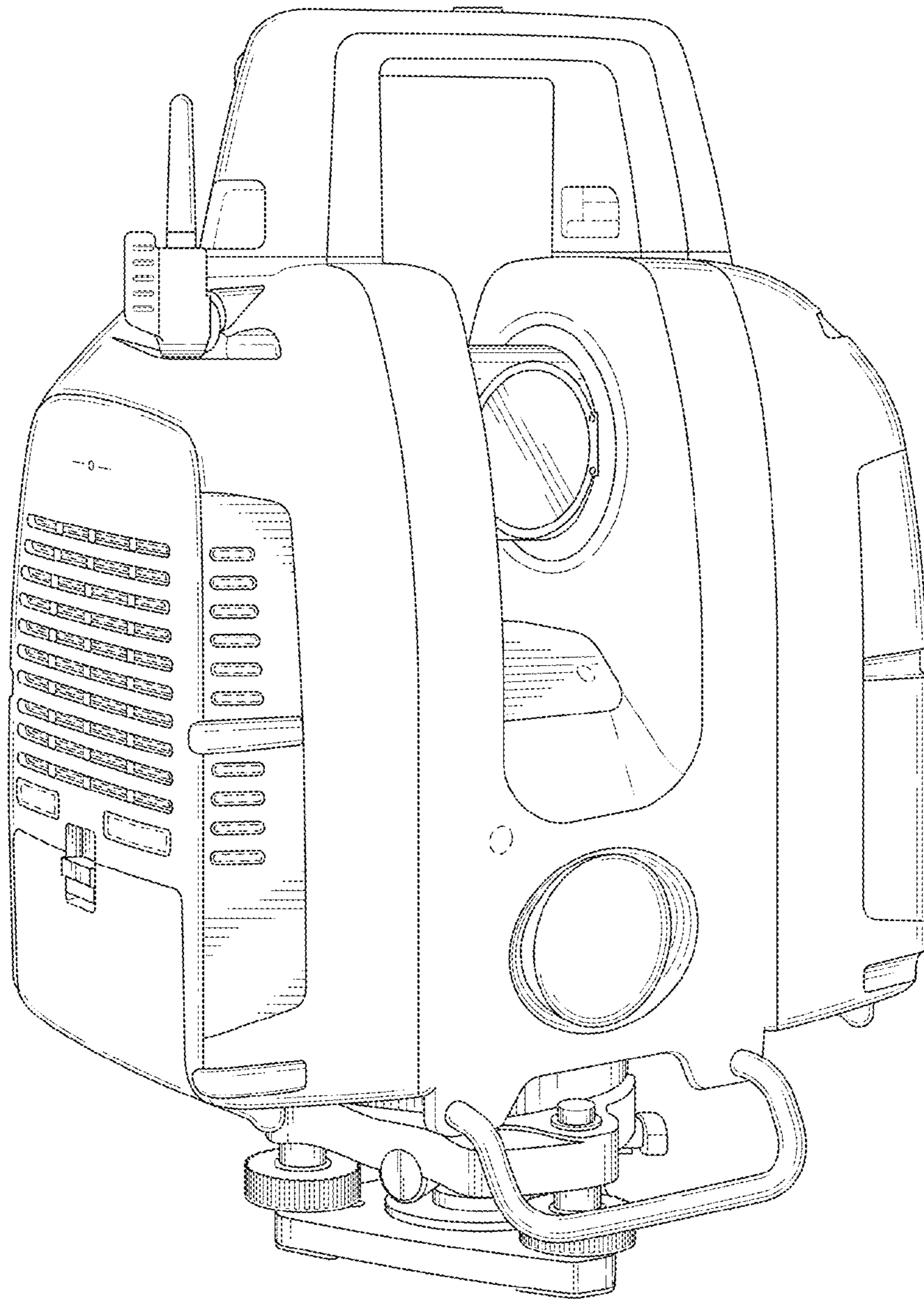


FIG. 7



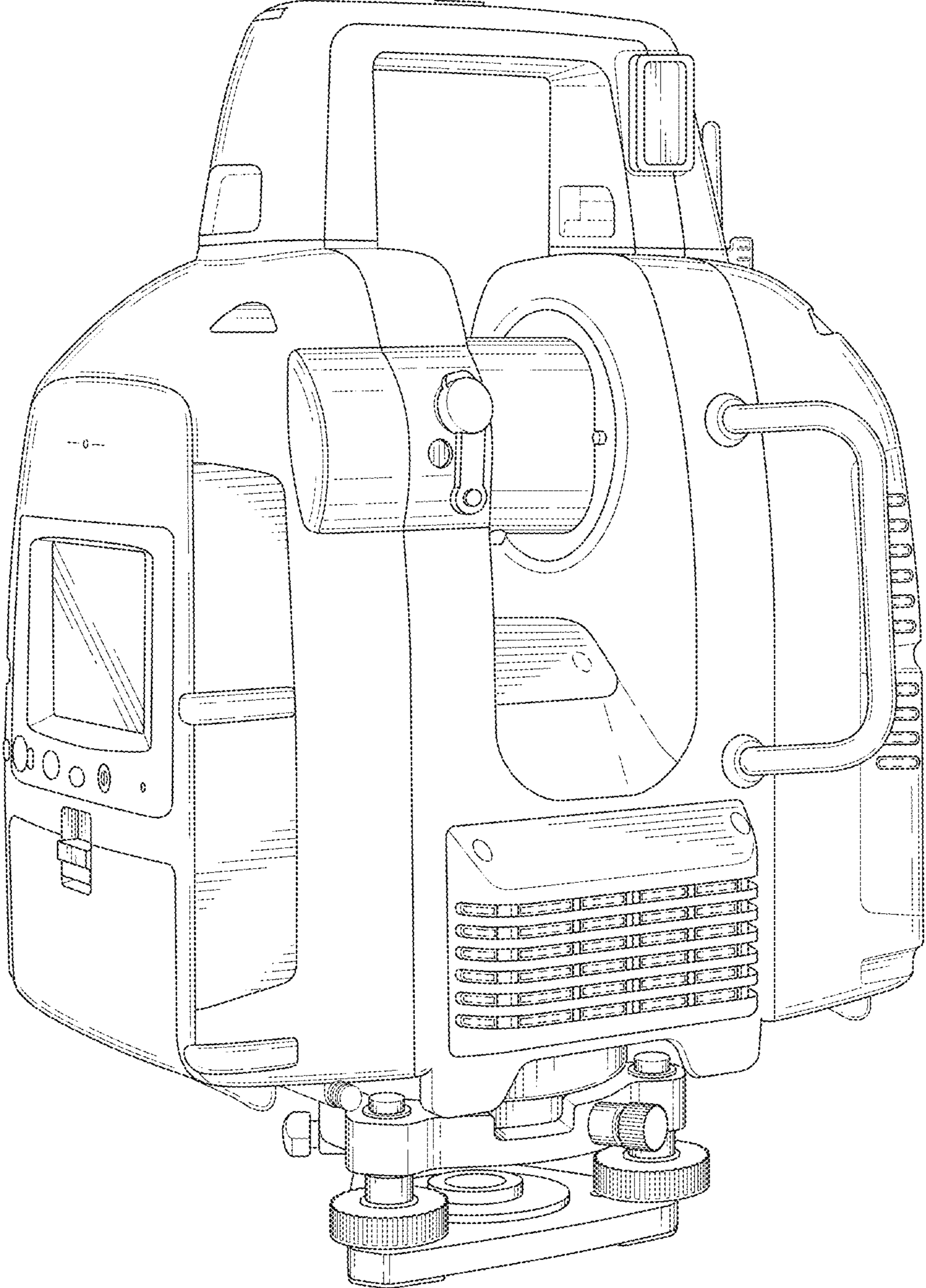


FIG. 8