



US00D723944S

(12) **United States Design Patent**
Kim et al.

(10) **Patent No.:** **US D723,944 S**
(45) **Date of Patent:** **** Mar. 10, 2015**

(54) **CLOCK**

(56) **References Cited**

(71) Applicant: **LG Hausys, Ltd.**, Seoul (KR)
(72) Inventors: **Tae-Woo Kim**, Yongin-si (KR);
Keun-Tae Kim, Seoul (KR); **Han-Sung Choi**, Seoul (KR)
(73) Assignee: **LG Hausys, Ltd.**, Seoul (KR)
(**) Term: **14 Years**

U.S. PATENT DOCUMENTS

D197,433	S	*	2/1964	Reinecke	D10/25
D212,338	S	*	10/1968	Daher et al.	D10/25
D306,243	S	*	2/1990	Livi	D6/690
5,216,642	A	*	6/1993	Rikkers	368/10
D338,576	S	*	8/1993	Livi	D6/690
D347,179	S	*	5/1994	Oyanagi	D10/25
D372,430	S	*	8/1996	Patatanyan	D10/24
5,557,586	A	*	9/1996	McCuan et al.	368/80
D416,203	S	*	11/1999	Ewing	D10/24
D461,721	S	*	8/2002	Ewing	D10/24
6,836,450	B2	*	12/2004	Gilbert	368/223
D704,261	S	*	5/2014	Kim et al.	D19/85

(21) Appl. No.: **29/454,423**

* cited by examiner

(22) Filed: **May 9, 2013**

Primary Examiner — Martie K Holtje
(74) *Attorney, Agent, or Firm* — Lowe Hauptman & Ham, LLP

(30) **Foreign Application Priority Data**

Mar. 14, 2013 (KR) 30-2013-0012915

(51) **LOC (10) Cl.** **10-01**

(52) **U.S. Cl.**
USPC **D10/24; D10/23**

(58) **Field of Classification Search**
CPC G04B 19/00; G04B 19/04; G04B 19/042;
G04B 19/044; G04B 19/06; G04B 37/0066;
G04B 37/1473
USPC D10/1–29, 122–132, 30–39; 368/10,
368/76, 80, 223, 228, 276, 309, 316, 317

See application file for complete search history.

(57) **CLAIM**
The ornamental design for a clock, as shown and described.

DESCRIPTION

FIG. 1 is a perspective view of a clock showing our new design;
FIG. 2 is a front elevational view thereof;
FIG. 3 is a rear elevational view thereof;
FIG. 4 is a left side elevational view thereof;
FIG. 5 is a right side elevational view thereof;
FIG. 6 is a top plan view thereof; and,
FIG. 7 is a bottom plan view thereof.
The clock hands depicted by broken lines in FIGS. 1 and 6 have been shown for the purpose of illustrating elements that form no part of the claimed design.

1 Claim, 5 Drawing Sheets

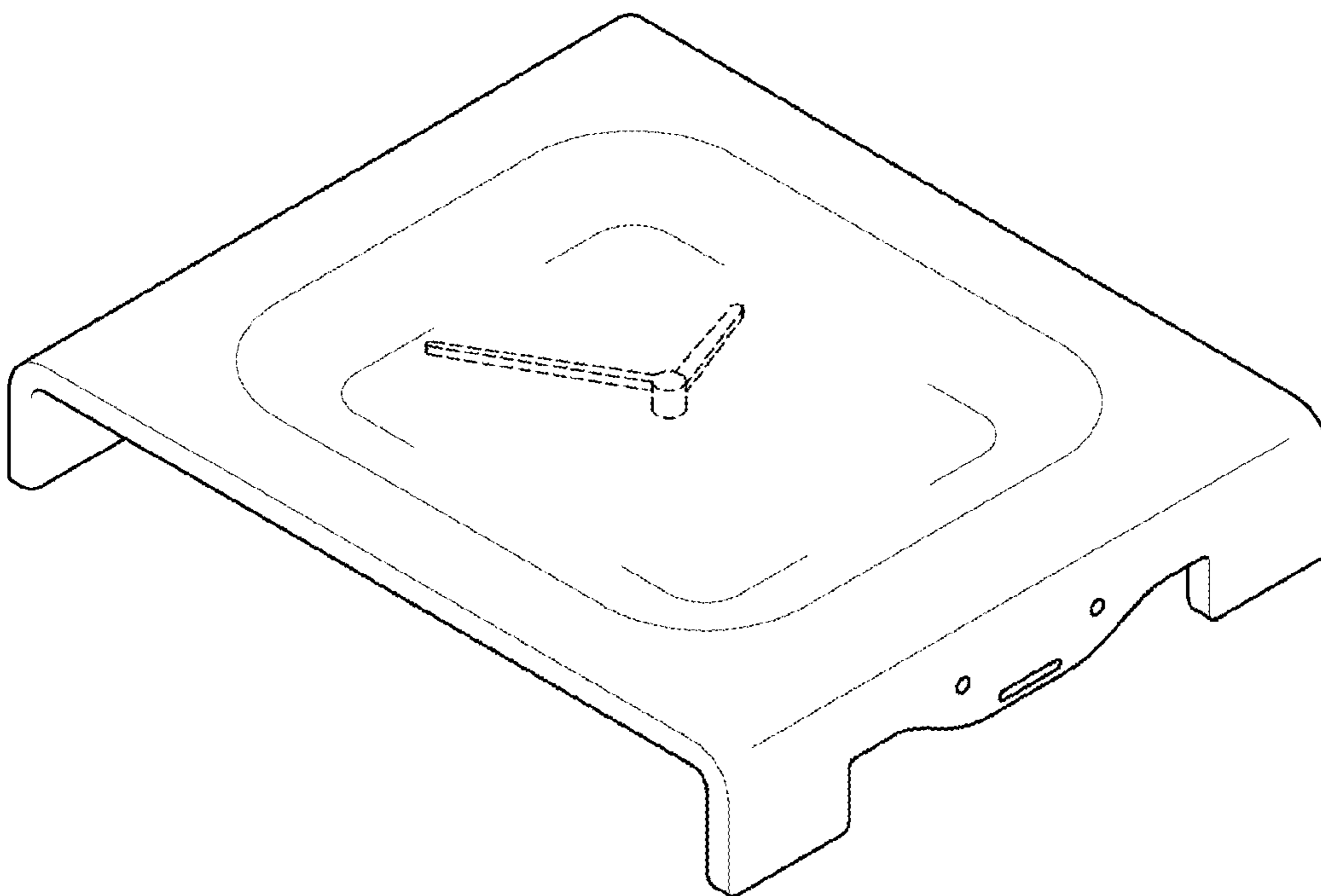


FIG. 1

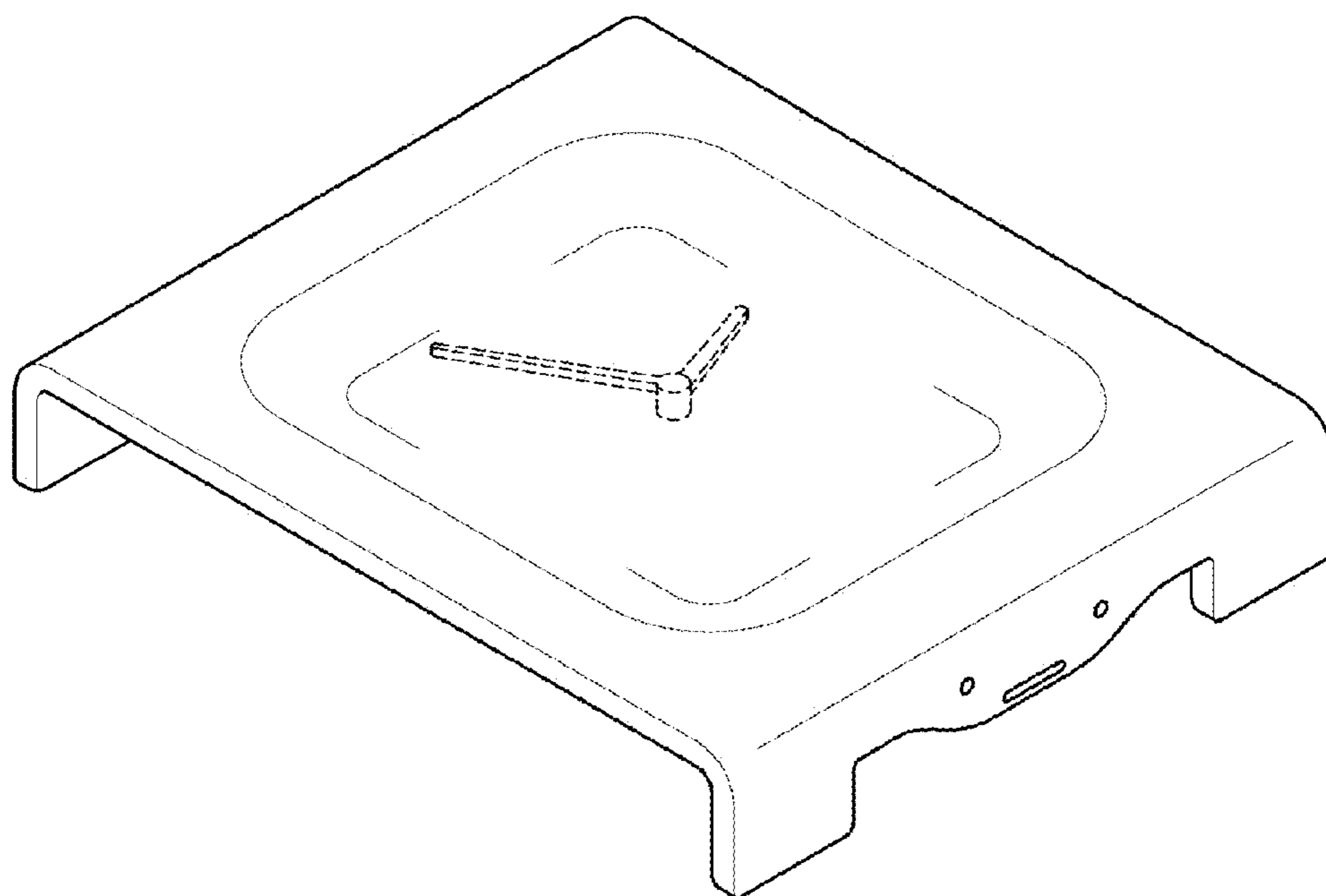


FIG. 2

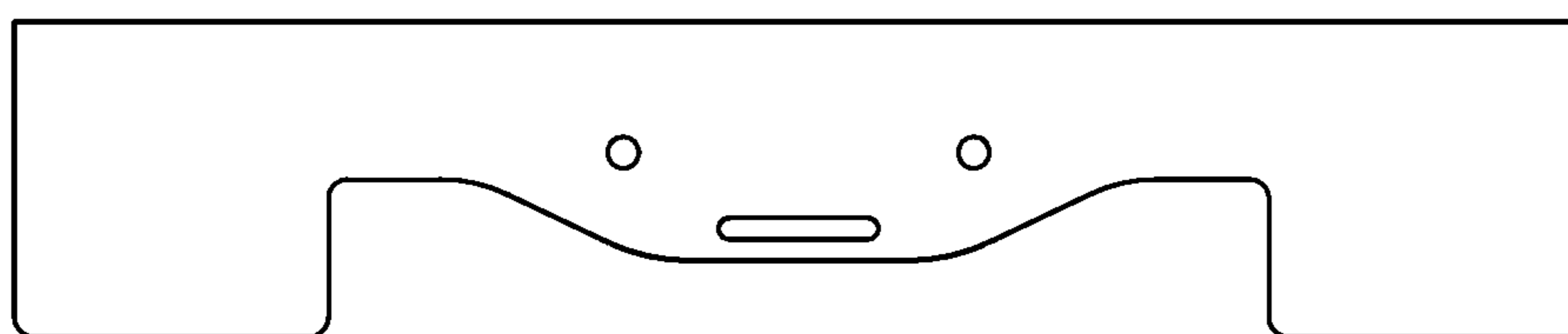


FIG. 3

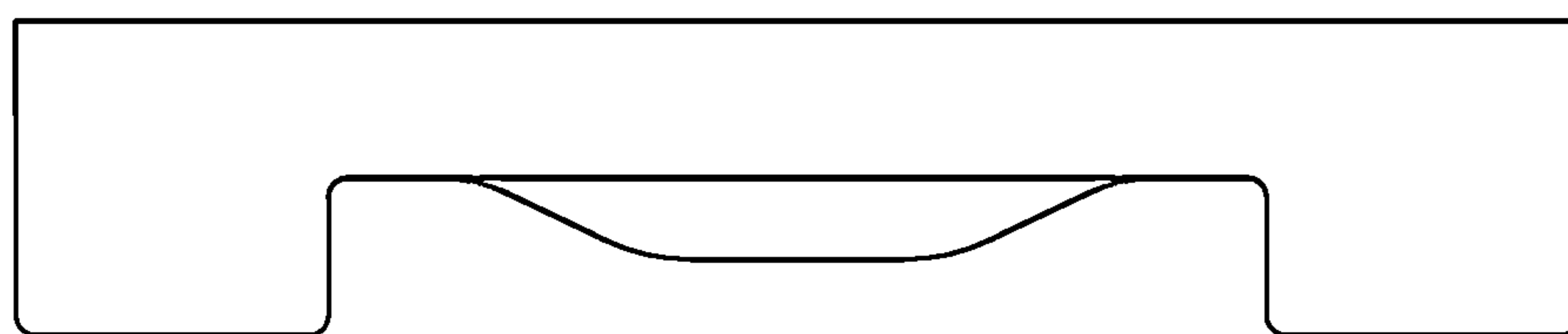


FIG. 4

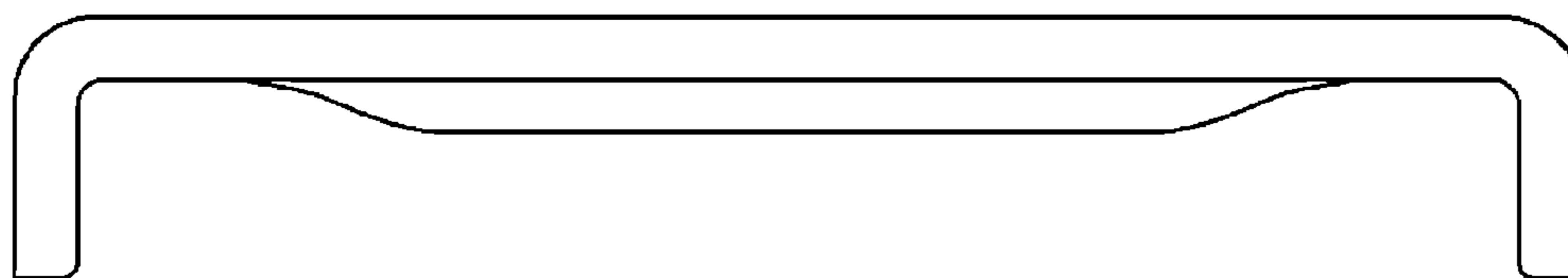


FIG. 5

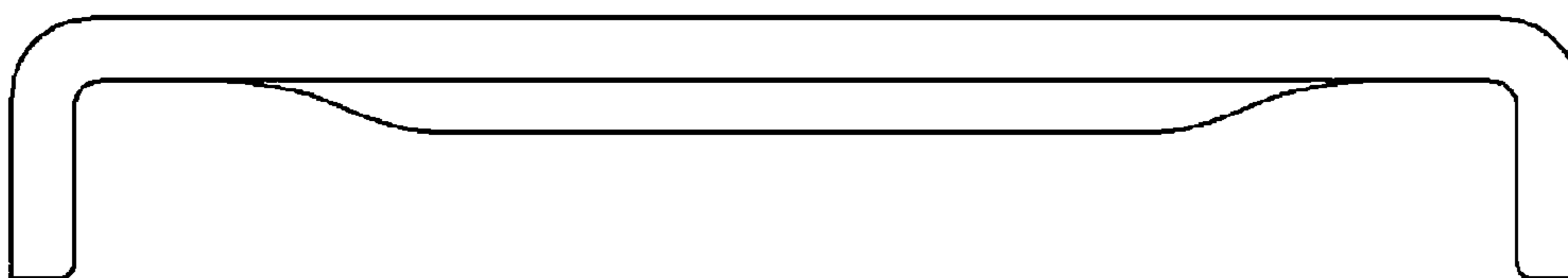


FIG. 6

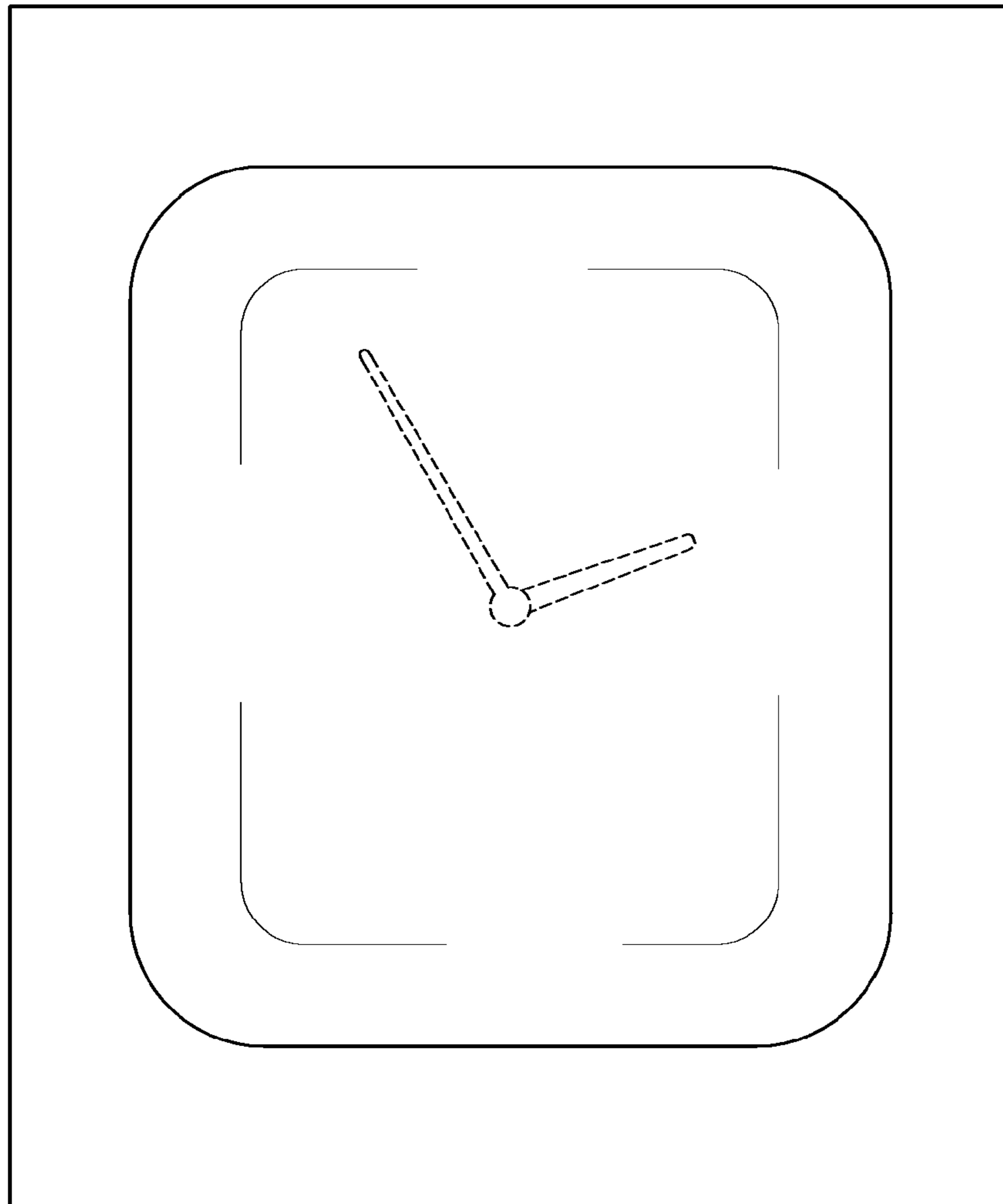


FIG. 7

