



US00D723943S

(12) **United States Design Patent**
Kim et al.

(10) **Patent No.:** **US D723,943 S**
(45) **Date of Patent:** **** Mar. 10, 2015**

(54) **TONER PACKAGE**

(71) Applicant: **Samsung Electronics Co., Ltd.**,
Suwon-si (KR)
(72) Inventors: **Min-Chul Kim**, Seoul (KR); **Sang-In Lee**,
Seongnam-si (KR); **Seung-Wook Jeong**, Seoul (KR)
(73) Assignee: **Samsung Electronics Co., Ltd.**,
Suwon-si (KR)
(**) Term: **14 Years**

(21) Appl. No.: **29/466,184**

(22) Filed: **Sep. 5, 2013**

(30) **Foreign Application Priority Data**

Mar. 5, 2013 (KR) 30-2013-0011097

(51) **LOC (10) CL.** **09-03**

(52) **U.S. CL.**
USPC **D9/759**; D9/737; D18/43

(58) **Field of Classification Search**
CPC G03G 15/0832; G03G 15/0834; G03G
18/0836; G03G 15/0867; G03G 15/0868;
G03G 15/0872; G03G 15/0881; G03G
15/0886; G03G 15/0877; G03G 15/0898;
G03G 15/50; G03G 15/5016; G03G
2215/0668
USPC D9/759, 737; D14/471; D18/12, 36, 40,
D18/43, 44, 50, 55, 56, 99; 347/49, 50, 197,
347/222; 399/11, 106, 119, 120, 230, 258,
399/262

See application file for complete search history.

(56) **References Cited**

U.S. PATENT DOCUMENTS

3,561,647	A	*	2/1971	Altmann	222/179.5
D233,628	S	*	11/1974	Dunning et al.	D14/435
D395,234	S	*	6/1998	Shida et al.	D9/423
D435,443	S	*	12/2000	Maeda et al.	D9/425
D442,082	S	*	5/2001	Maeda et al.	D9/425
D526,193	S	*	8/2006	Heath	D9/425
D615,396	S	*	5/2010	Changpan	D9/425
D628,070	S	*	11/2010	Ma et al.	D9/456
D634,619	S	*	3/2011	Fisher	D9/425
D643,311	S	*	8/2011	Meyers	D9/761
D688,572	S	*	8/2013	Marin	D9/761
D702,125	S	*	4/2014	Marchetti	D9/456
D702,126	S	*	4/2014	Marchetti	D9/456
2006/0045562	A1	*	3/2006	Choi et al.	399/103

* cited by examiner

Primary Examiner — Eric Goodman
Assistant Examiner — Amy Wierenga
(74) *Attorney, Agent, or Firm* — NSIP Law

(57) **CLAIM**

The ornamental design for a toner package, as shown and described.

DESCRIPTION

FIG. 1 is a top front perspective view of a toner package showing our new design;
FIG. 2 is a front view thereof;
FIG. 3 is a rear view thereof;
FIG. 4 is a left-side view thereof;
FIG. 5 is a right-side view thereof;
FIG. 6 is a top view thereof;
FIG. 7 is a bottom view thereof;
FIG. 8 is an exploded view thereof; and,
FIG. 9 is another exploded view of the toner package illustrating an external environment in broken lines. The broken lines are for environmental purposes only and form no part of the claimed design.

1 Claim, 5 Drawing Sheets

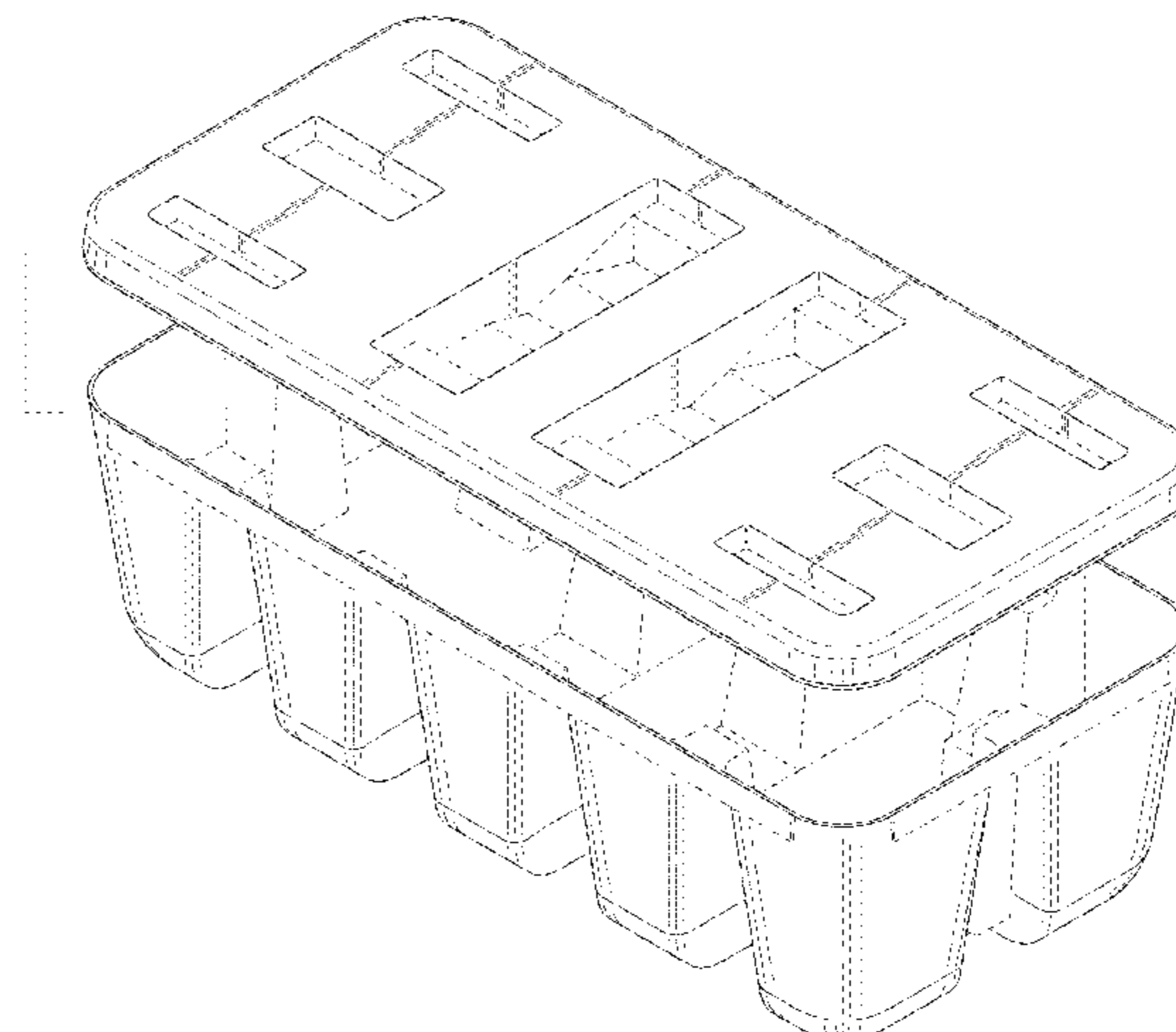
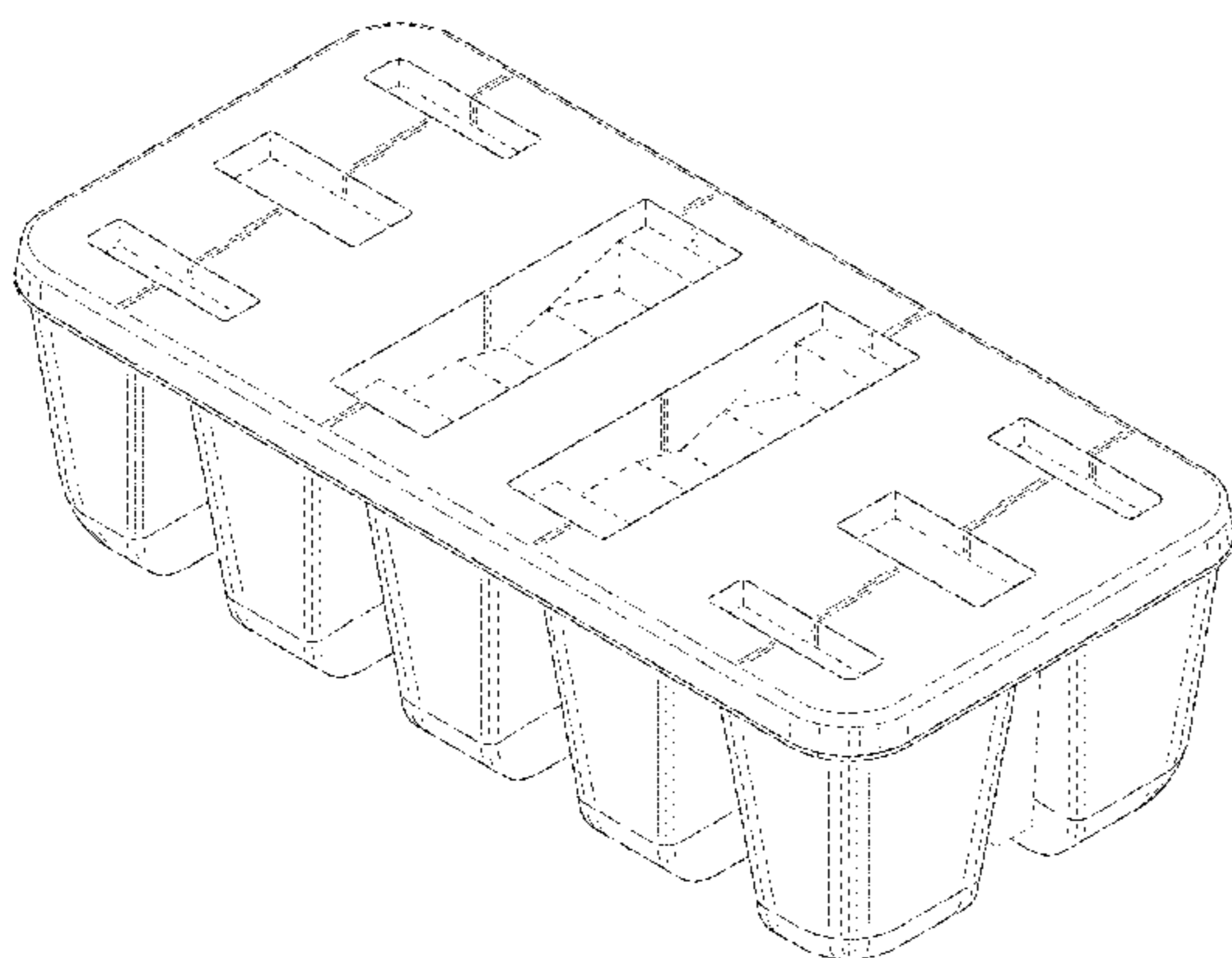


FIG. 1

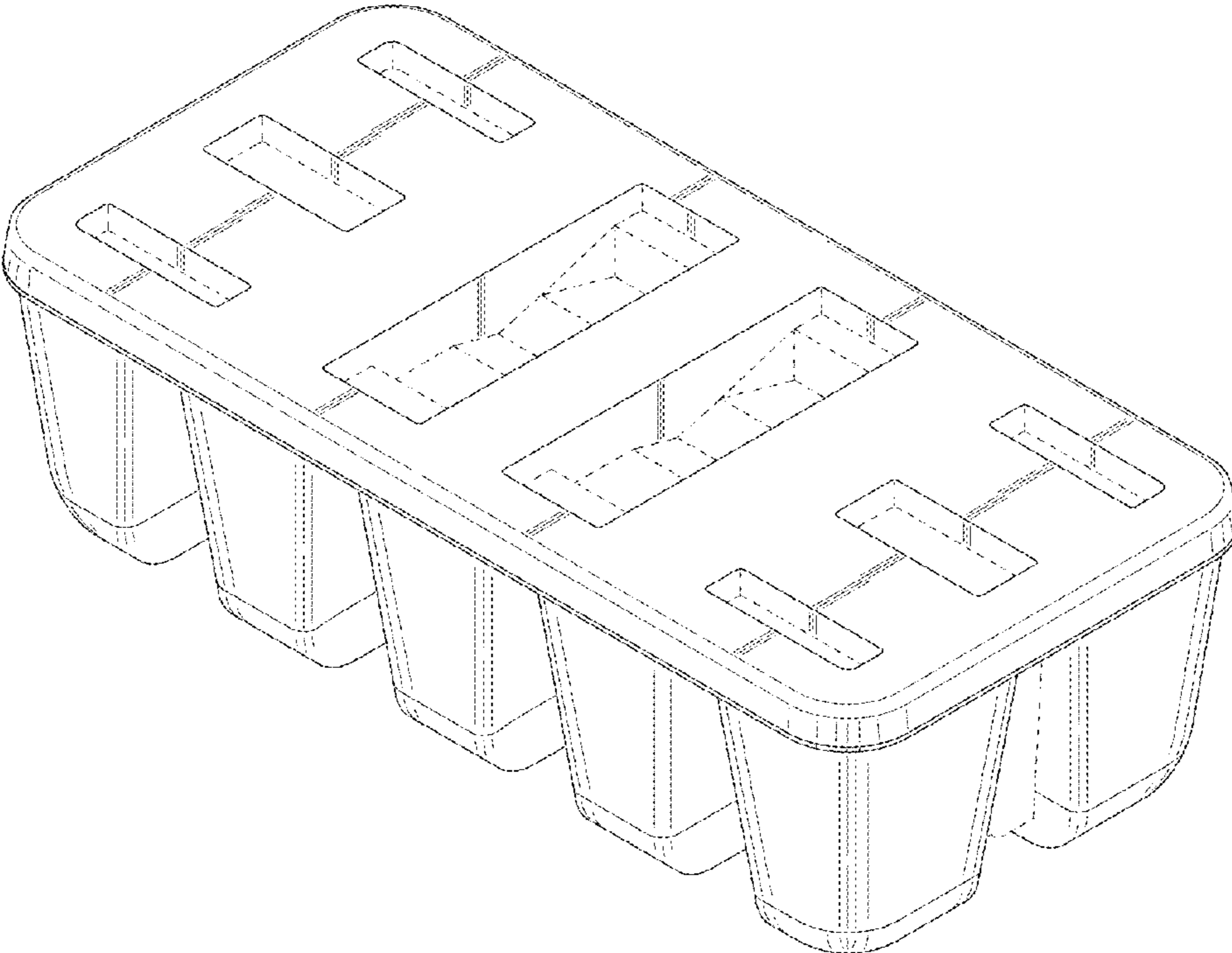


FIG.2

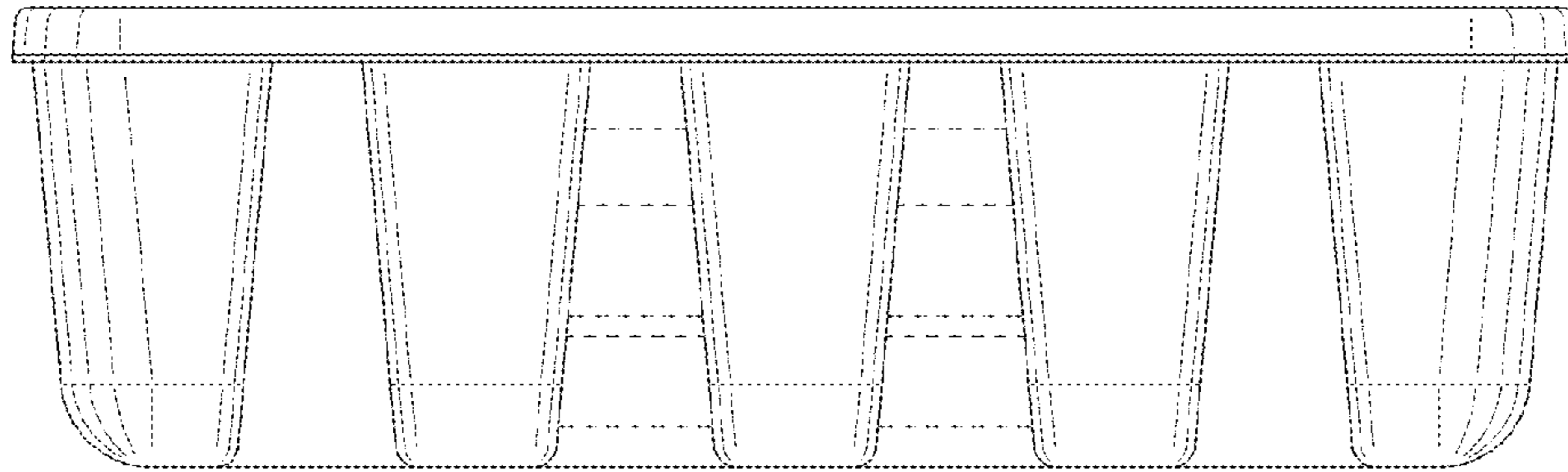


FIG.3

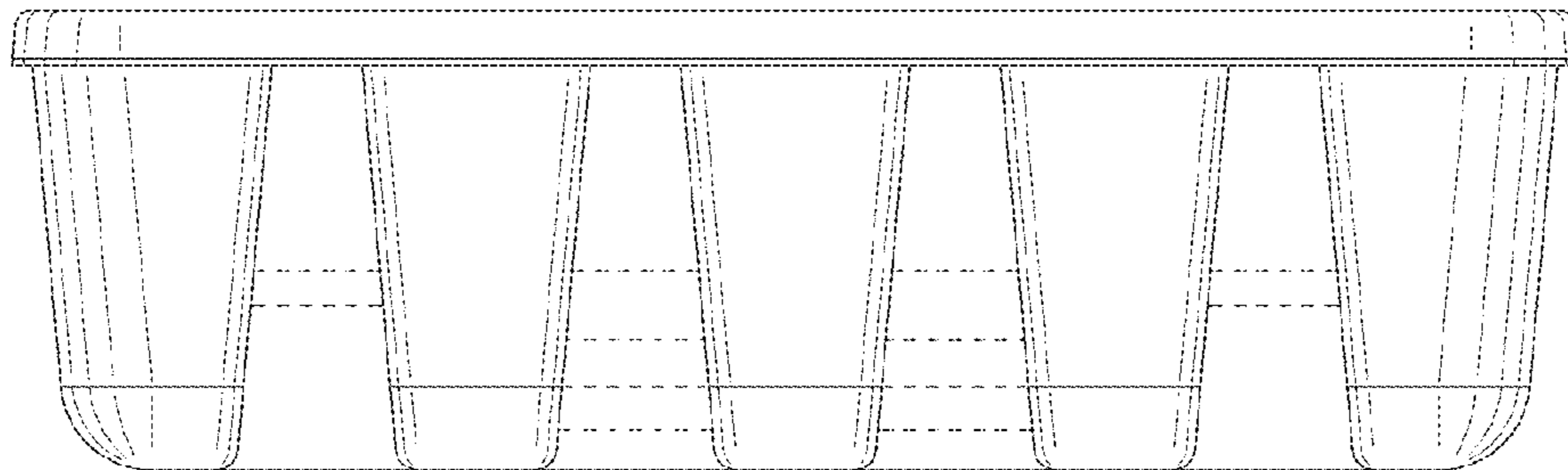


FIG.4

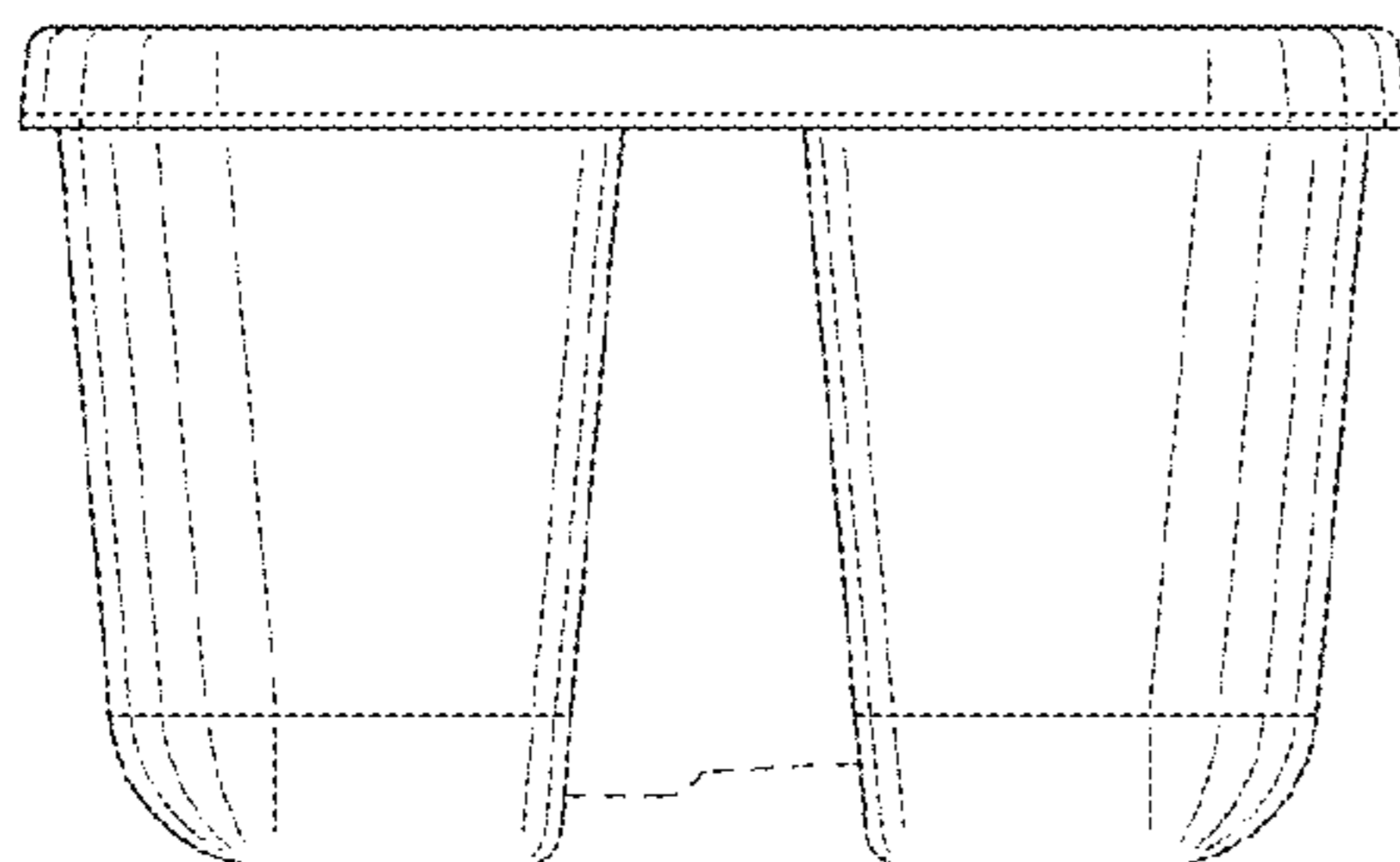


FIG.5

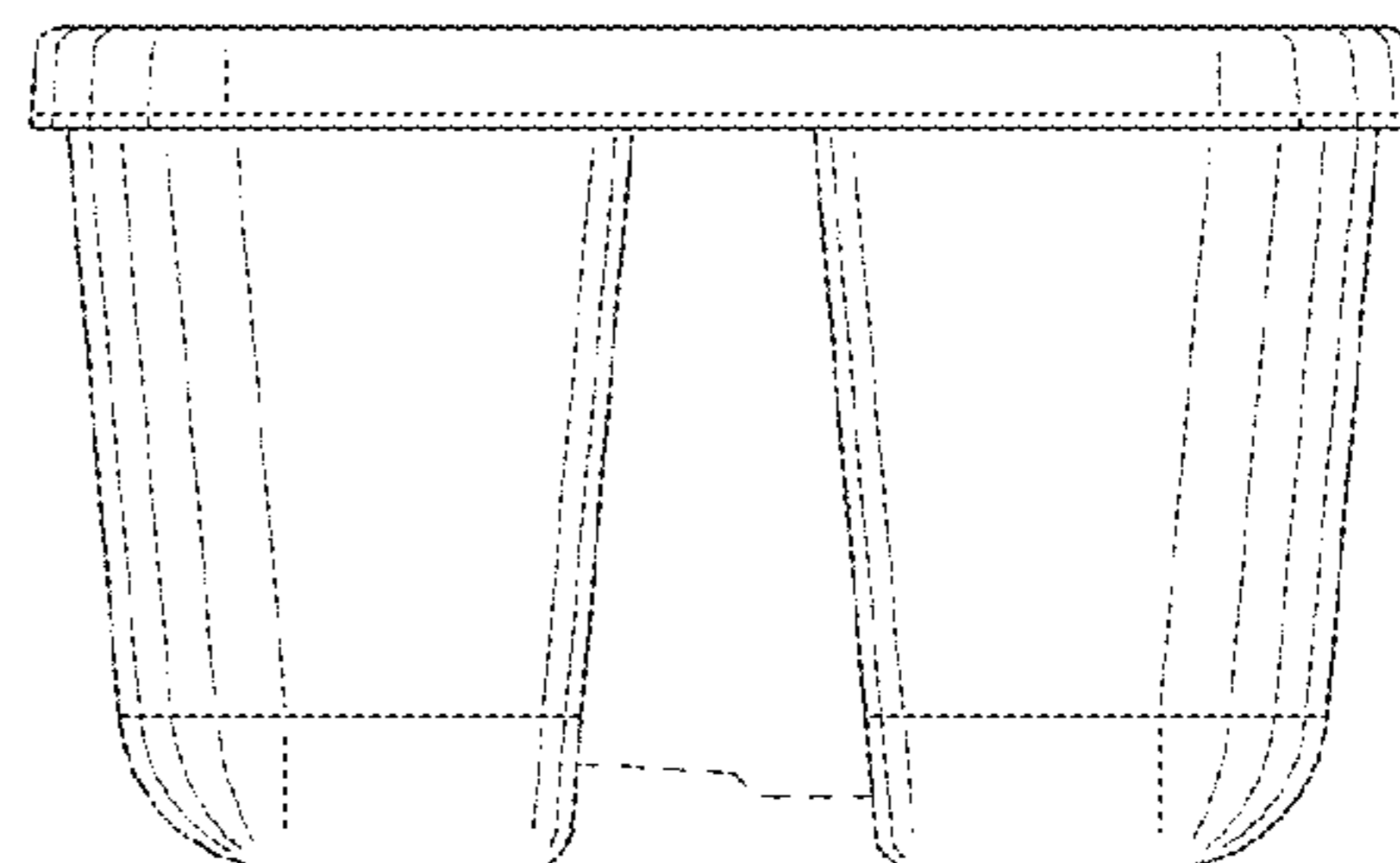


FIG.6

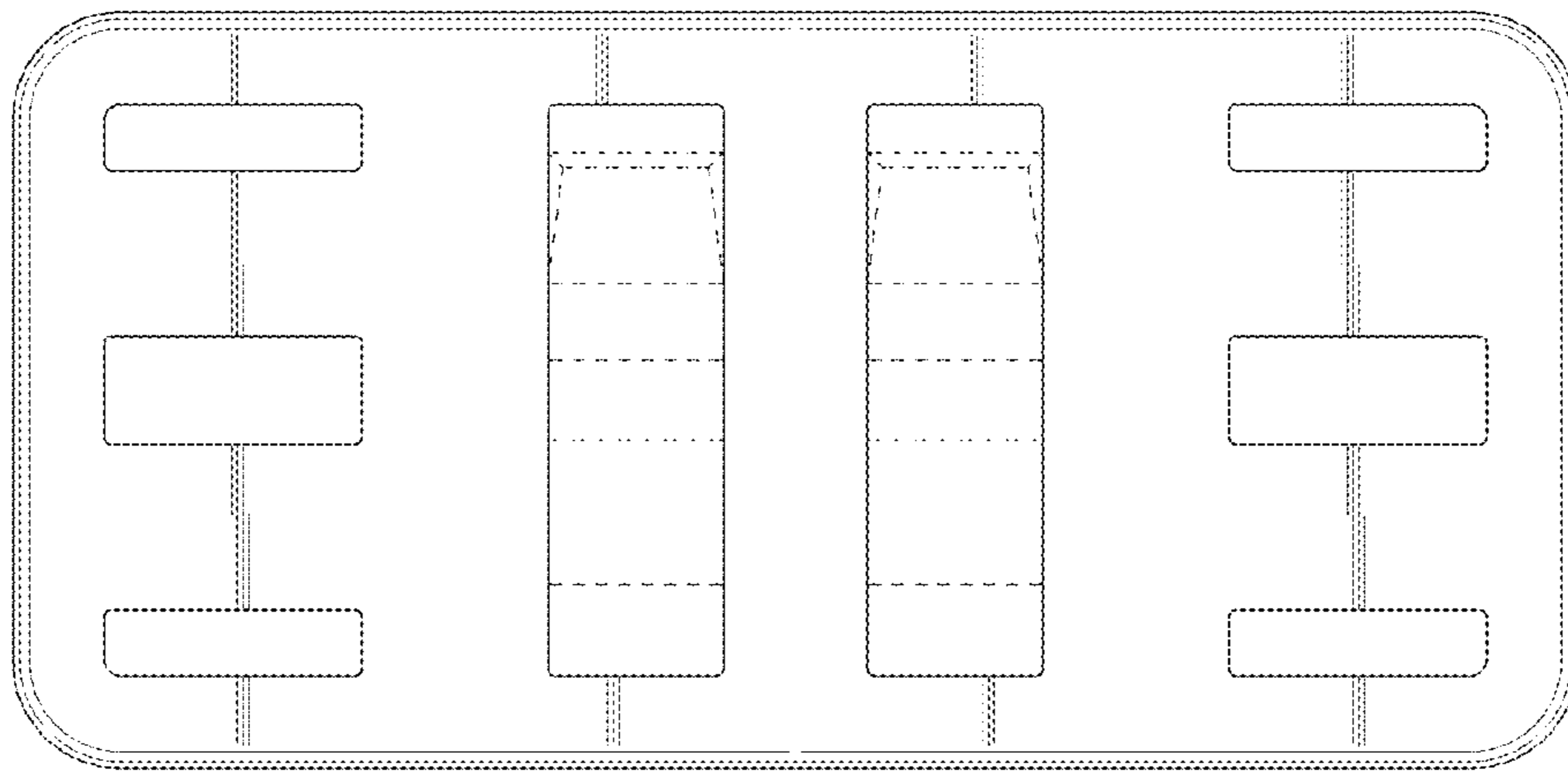


FIG.7

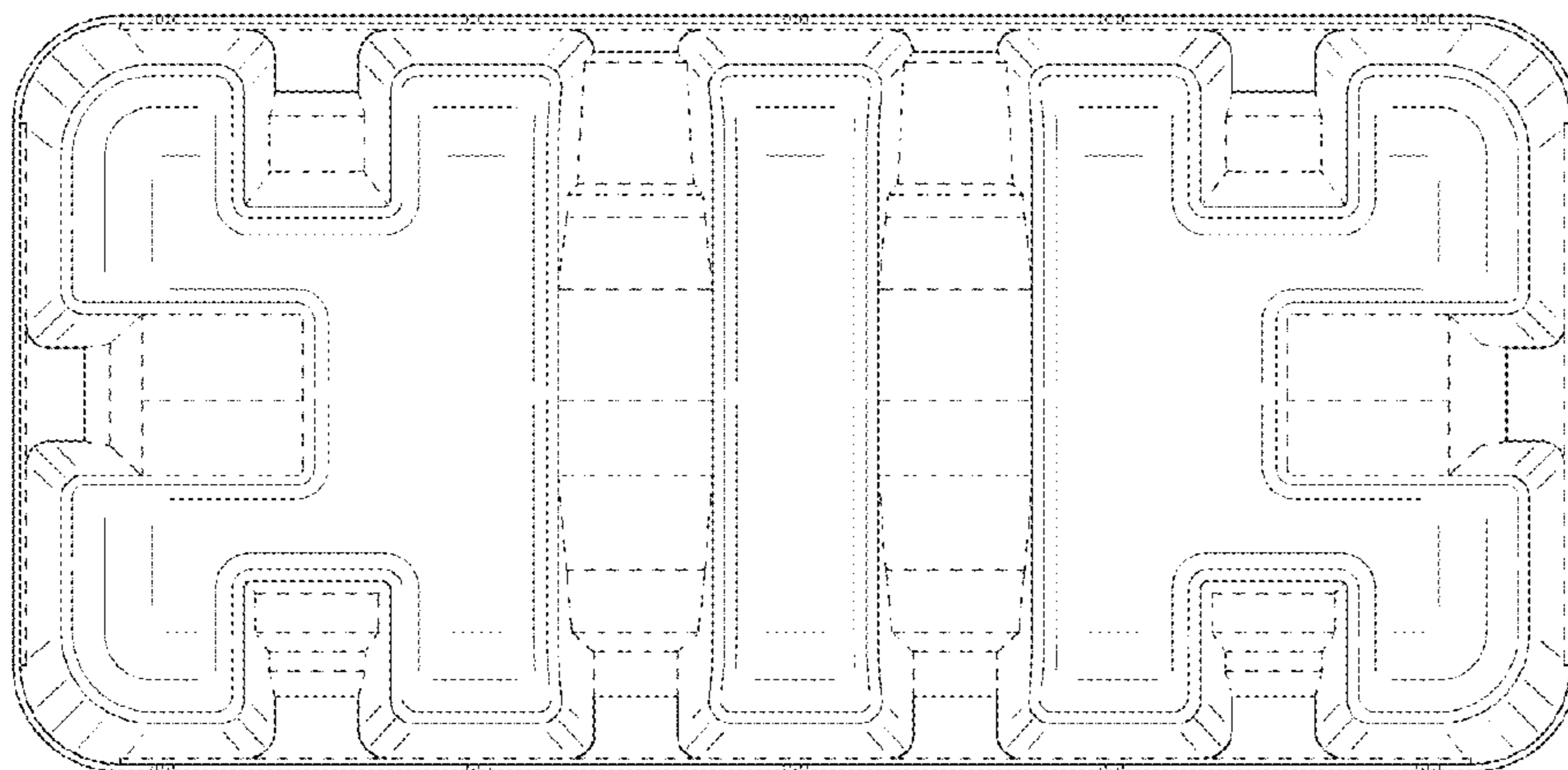


FIG.8

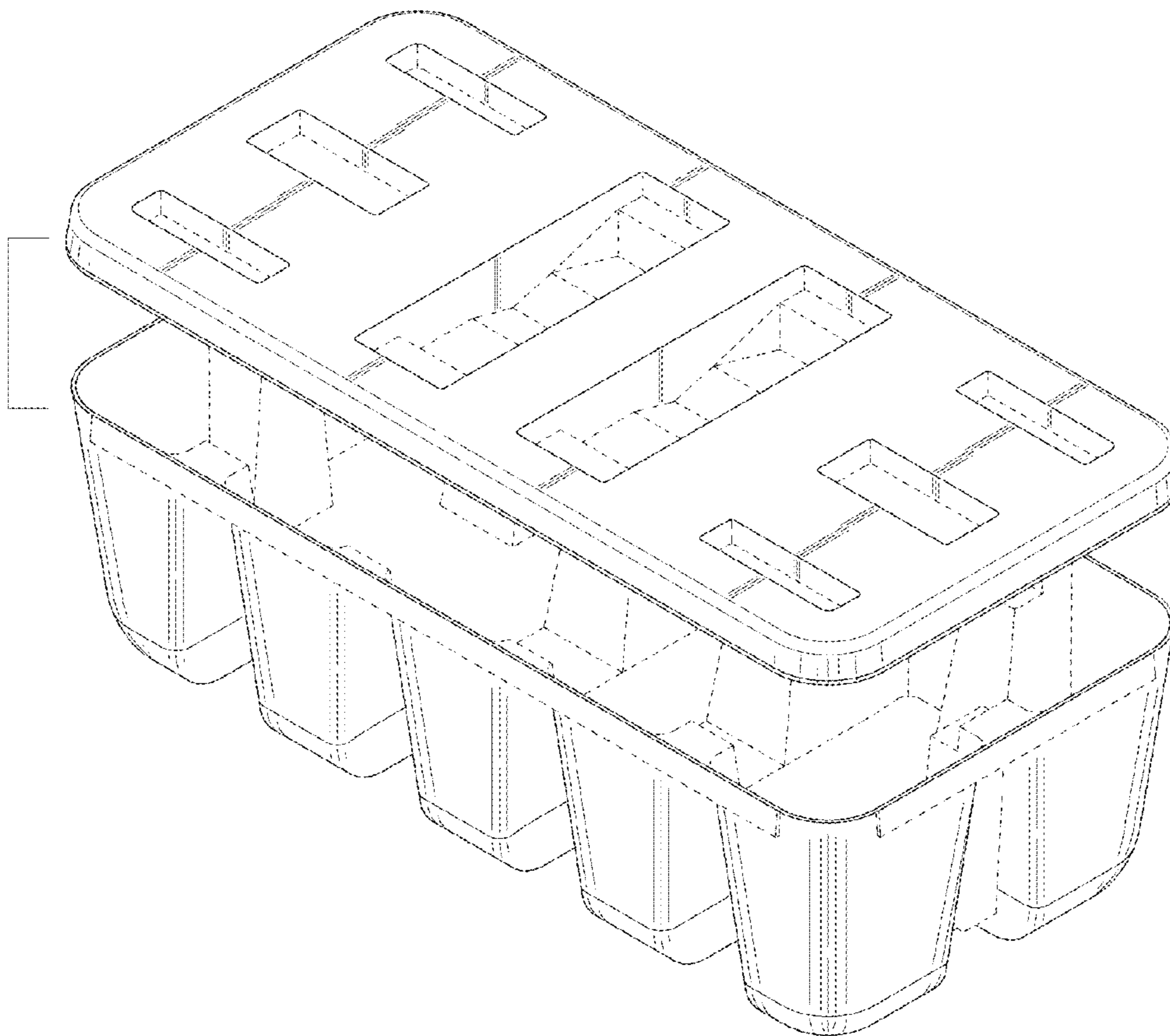


FIG.9

