



US00D723941S

(12) **United States Design Patent**
Lewis et al.

(10) **Patent No.:** **US D723,941 S**
(45) **Date of Patent:** **** Mar. 10, 2015**

(54) **DISK HOLDER WITH SLEEVE**

(75) Inventors: **Kevin Andrew Lewis**, Dallas, TX (US);
Travis Michael Smith, Plano, TX (US);
Eileen Frances Head, Van Alstyne, TX
(US); **Debra Vowell Trahan**, Plano, TX
(US)

(73) Assignee: **Blockbuster L.L.C.**, Englewood, CO
(US)

(**) Term: **14 Years**

(21) Appl. No.: **29/411,752**

(22) Filed: **Jan. 25, 2012**

(51) **LOC (10) Cl.** **09-05**

(52) **U.S. Cl.**
USPC **D9/711**

(58) **Field of Classification Search**

USPC D9/702-714, 720-722, 424, 445, 415,
D9/432-433, 422, 426, 418; D6/626, 407,
D6/631-634, 628-629; 206/308.1, 309,
206/311, 308.3, 312, 313, 454, 307.1, 307,
206/310; 383/61.1, 61.2, 200; 312/902, 9.9,
312/9.64; 211/40, 41.12; 229/68.1

See application file for complete search history.

(56) **References Cited**

U.S. PATENT DOCUMENTS

4,951,826 A 8/1990 Tompkins
5,040,687 A 8/1991 Whittington

(Continued)

OTHER PUBLICATIONS

U.S. Appl. No. 13/461,754, filed May 1, 2012, Non Final Office
Action mailed Nov. 6, 2014, 24 pages.

Primary Examiner — Richard E. Chilcot, Jr.

Assistant Examiner — Abraham Bahta

(74) *Attorney, Agent, or Firm* — Kilpatrick Townsend &
Stockton LLP

(57) **CLAIM**

The ornamental design for a disk holder with sleeve, as shown
and described.

DESCRIPTION

FIG. 1 is a perspective view of the disk holder with sleeve
showing our new design;

FIG. 2 is perspective view of the sleeve shown separately for
ease of illustration;

FIG. 3 is a top plan view of FIG. 2;

FIG. 4 is as left side elevational view of FIG. 2;

FIG. 5 is a right side elevational view of FIG. 2;

FIG. 6 is a front elevational view of FIG. 2, the rear eleva-
tional view being a mirror image thereof;

FIG. 7 is a bottom plan view of FIG. 2;

FIG. 8 is a perspective view of the disk holder shown sepa-
rately for ease of illustration;

FIG. 9 is a left side elevational view of FIG. 8, the right side
being a mirror image thereof;

FIG. 10 is a top plan view of FIG. 8;

FIG. 11 is a front elevational view of FIG. 8, the rear eleva-
tional view being a mirror image thereof;

FIG. 12 is a bottom plan of FIG. 8;

FIG. 13 is a top plan view of FIG. 8 shown separately without
the background for ease of illustration;

FIG. 14 is a bottom plan view of FIG. 13;

FIG. 15 is a perspective view of another embodiment of a disk
holder and sleeve;

FIG. 16 is a perspective view of the disk holder of FIG. 15;

FIG. 17 is a left side elevational of the disk holder of FIG. 15,
the right side being a mirror image;

FIG. 18 is a top plan view of the disk holder of FIG. 15;

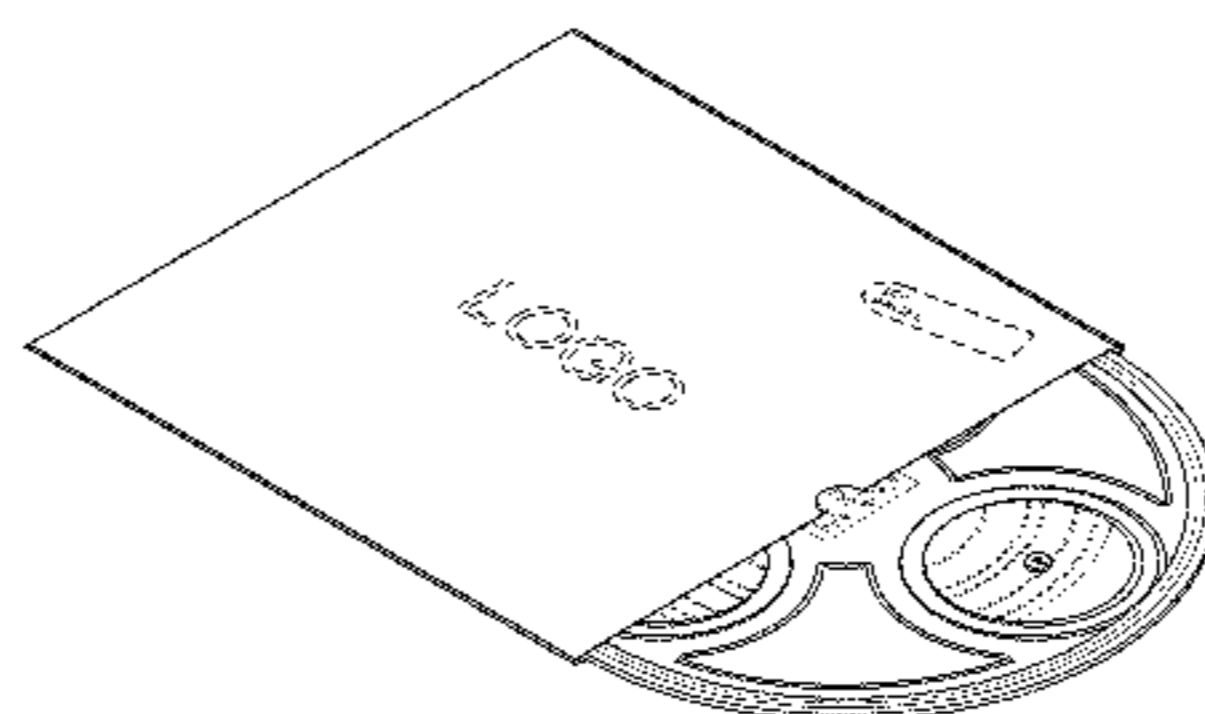
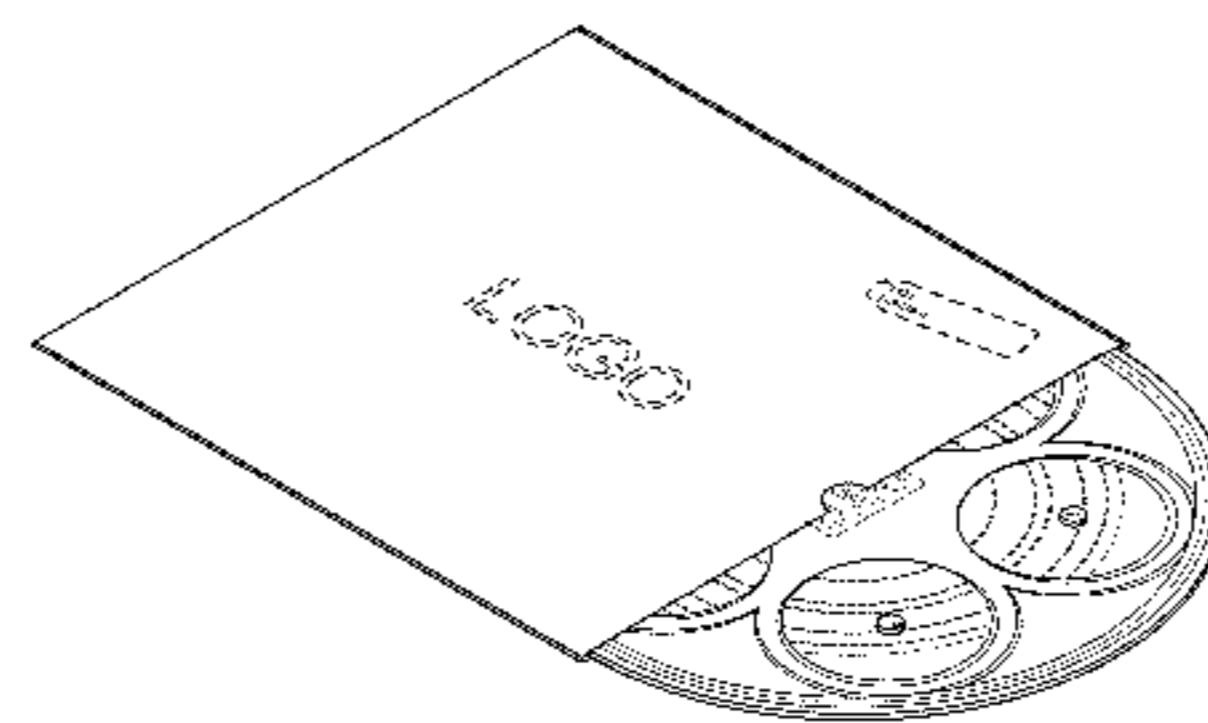
FIG. 19 is a front elevational view of the disk holder of FIG.
15, the rear elevational view being a mirror image;

FIG. 20 is a bottom plan view of the disk holder of FIG. 15;
and,

FIG. 21 is a top plan view of the disk holder of FIG. 15 shown
separately without the back ground illustration.

In the drawings, the broken-line showing of imagery on the
disk holder and sleeve depicts environmental subject matter
only and forms no part of the claimed design.

1 Claim, 14 Drawing Sheets



(56)

References Cited

U.S. PATENT DOCUMENTS

| | | | | | | | | | |
|-----------|-----|---------|----------------------|--------|--------------|-----|---------|---------------------|--------|
| D333,610 | S * | 3/1993 | Oshry et al. | D9/703 | 6,640,969 | B2 | 11/2003 | Darby | |
| 5,261,534 | A | 11/1993 | Krebs et al. | | D488,000 | S * | 4/2004 | Chen | D6/407 |
| 5,375,706 | A | 12/1994 | Perez | | 7,028,835 | B1 | 4/2006 | Rajter, Jr. | |
| D371,482 | S * | 7/1996 | Cole, Sr. | D6/626 | 7,117,992 | B2 | 10/2006 | Westmeyer et al. | |
| 5,533,614 | A | 7/1996 | Walker | | D553,896 | S * | 10/2007 | Siecke et al. | D6/634 |
| 5,609,258 | A | 3/1997 | Spector | | D558,503 | S * | 1/2008 | Hurley | D6/635 |
| 5,611,426 | A | 3/1997 | Warfield | | D572,964 | S * | 7/2008 | Gelardi et al. | D6/634 |
| 5,788,068 | A | 8/1998 | Fraser et al. | | 7,650,989 | B2 | 1/2010 | Chou | |
| D406,487 | S * | 3/1999 | Attar et al. | D6/632 | D642,480 | S * | 8/2011 | Hollyman | D9/702 |
| D420,240 | S * | 2/2000 | Sorenson et al. | D6/632 | 2002/0112976 | A1 | 8/2002 | Huber | |
| 6,070,721 | A | 6/2000 | Levitan | | 2008/0105573 | A1 | 5/2008 | Gonzales | |
| D437,505 | S * | 2/2001 | Fraser et al. | D6/407 | 2008/0173557 | A1 | 7/2008 | Chou | |
| 6,622,866 | B2 | 9/2003 | Roberts et al. | | 2009/0283430 | A1 | 11/2009 | Joaquin | |
| | | | | | 2009/0301910 | A1 | 12/2009 | Ron et al. | |
| | | | | | 2013/0291492 | A1 | 11/2013 | Lewis et al. | |

* cited by examiner

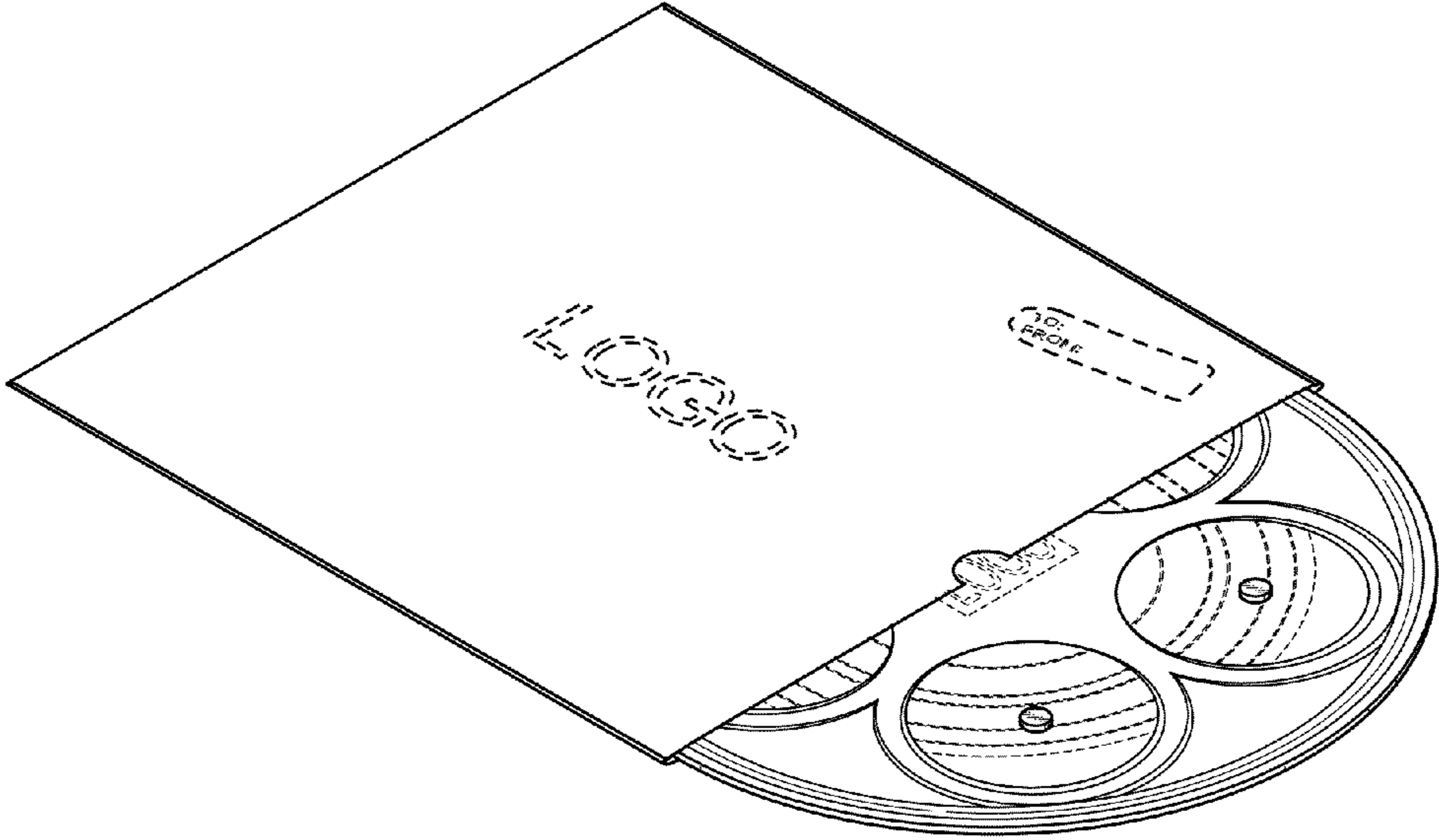
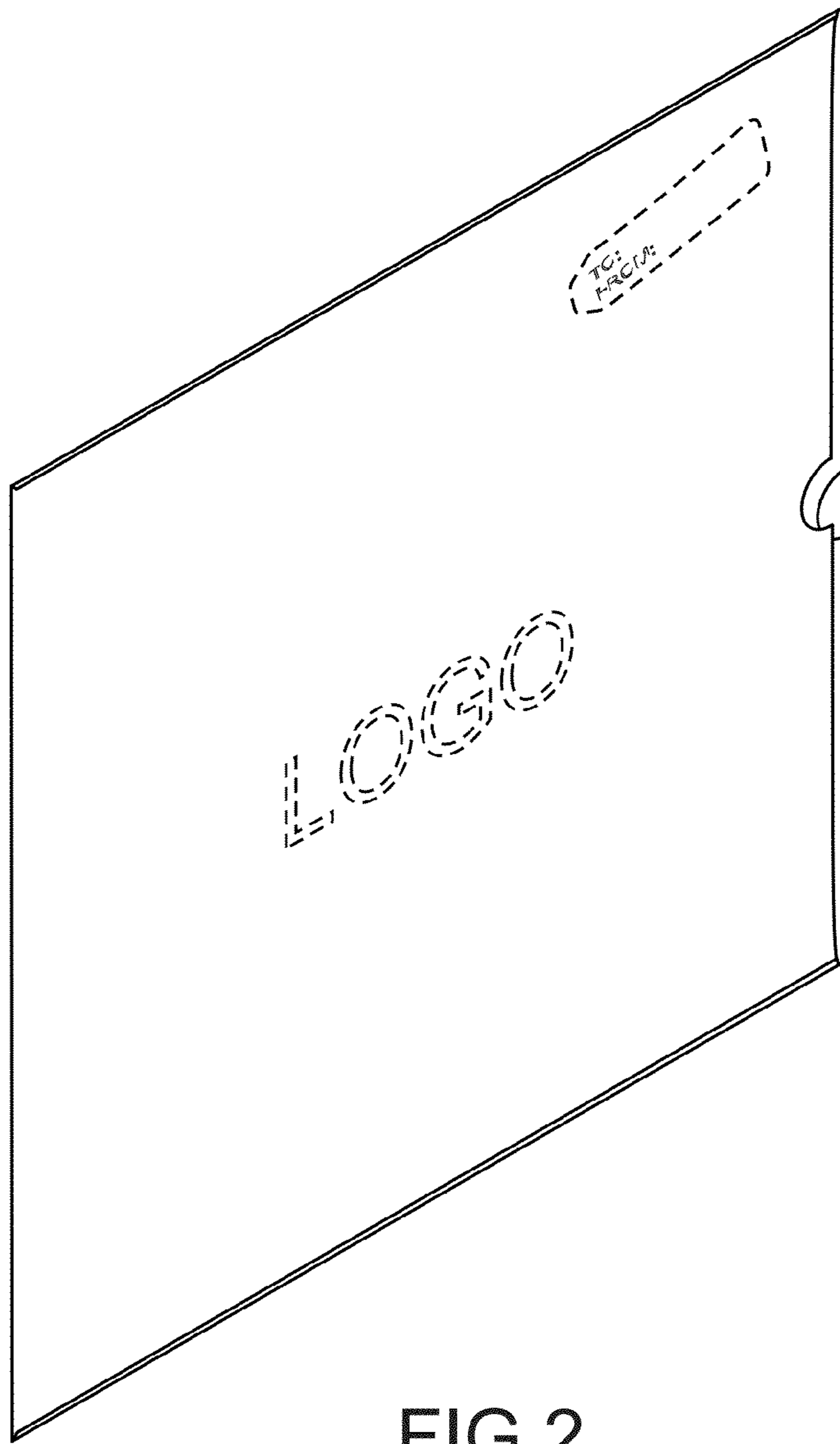


FIG.1



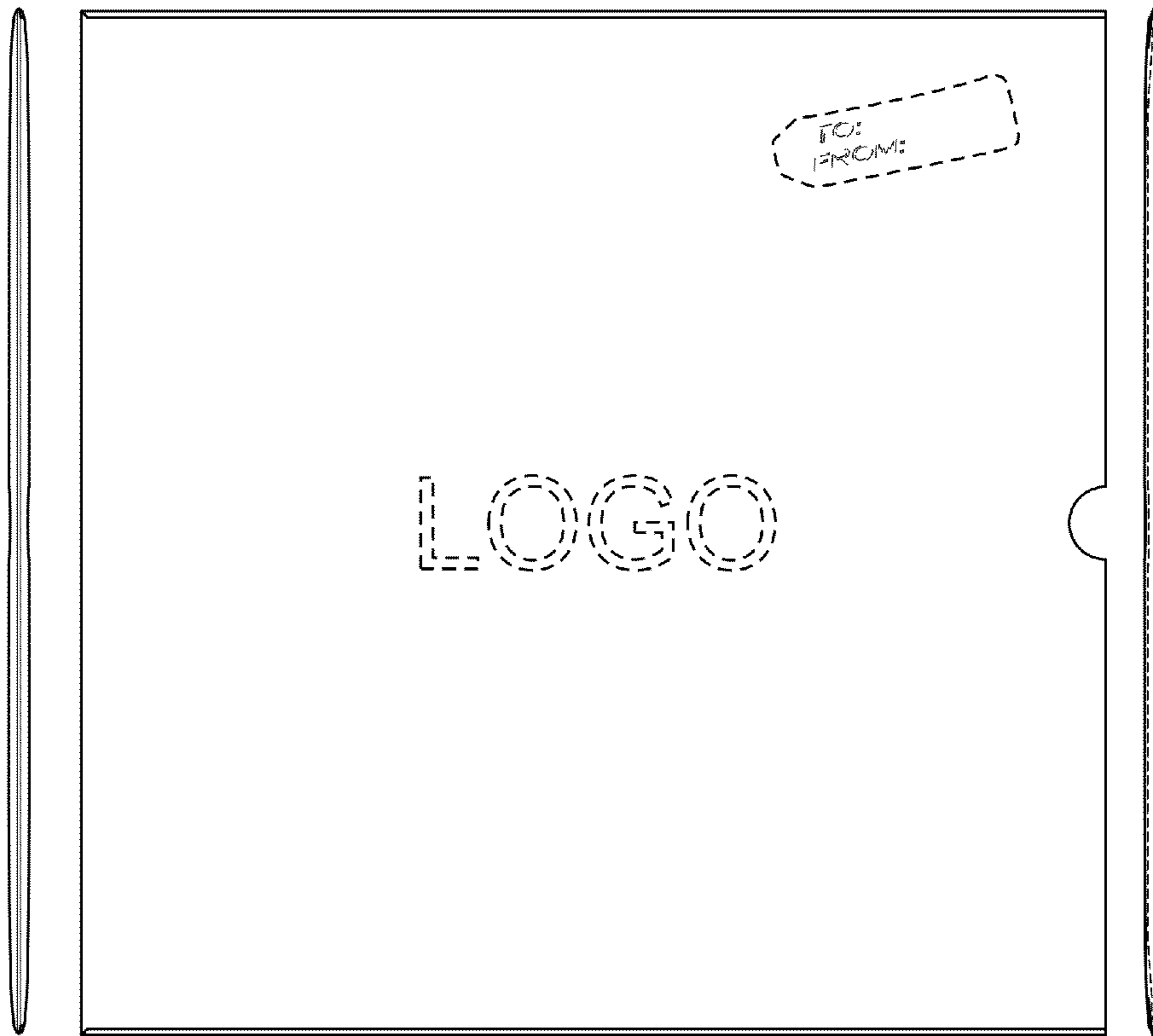


FIG.4

FIG.3

FIG.5



FIG.6

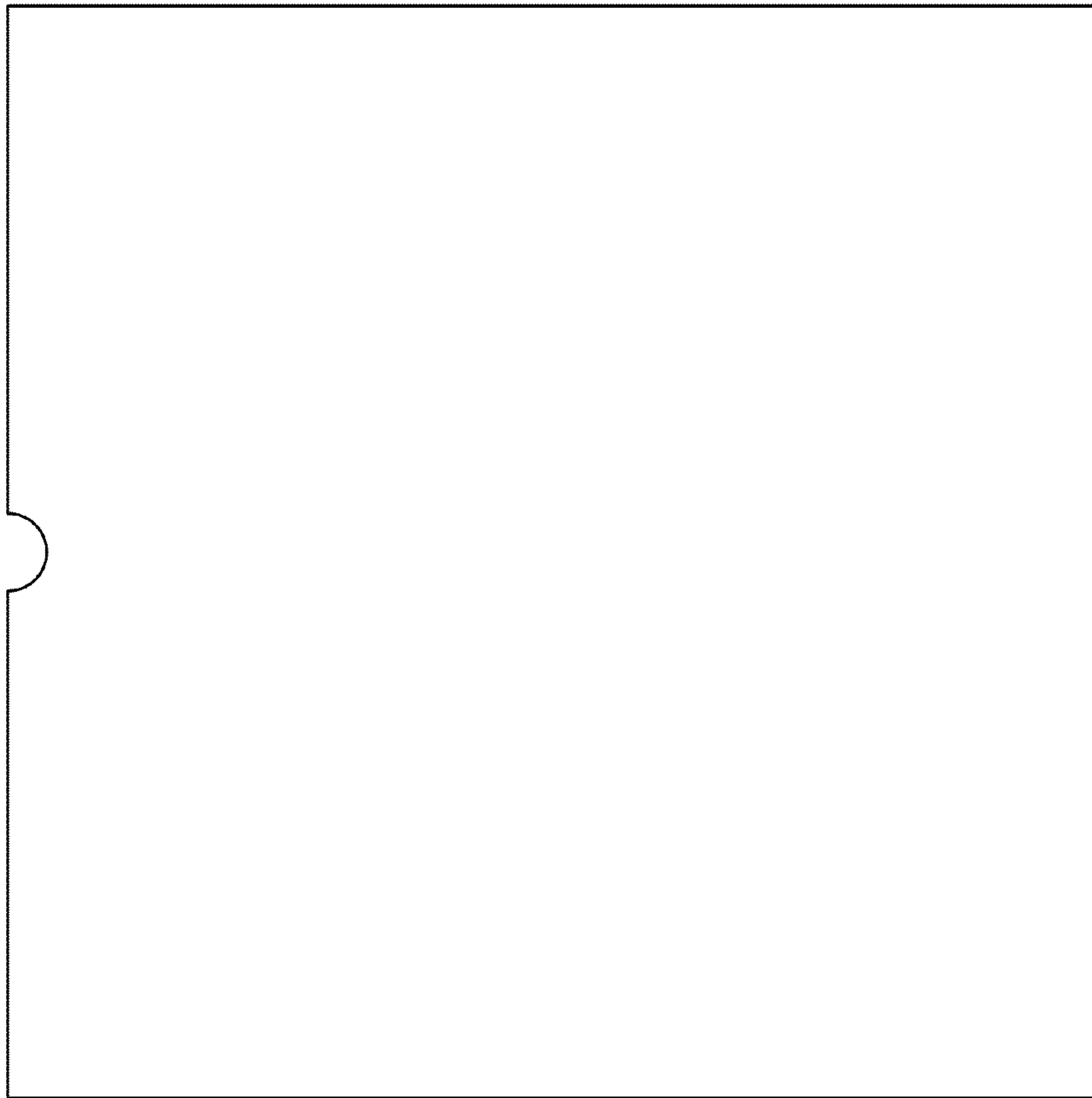


FIG.7

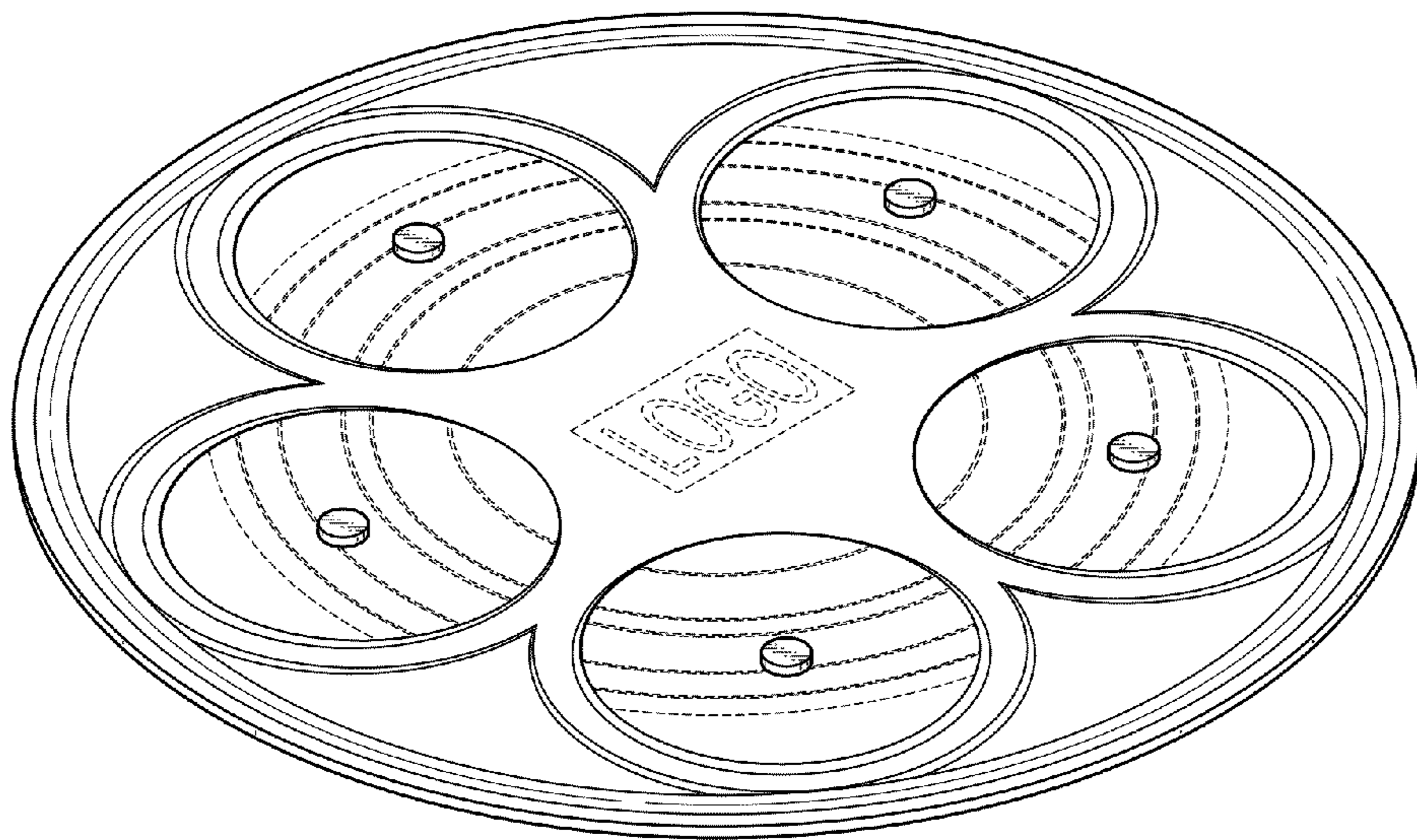


FIG.8

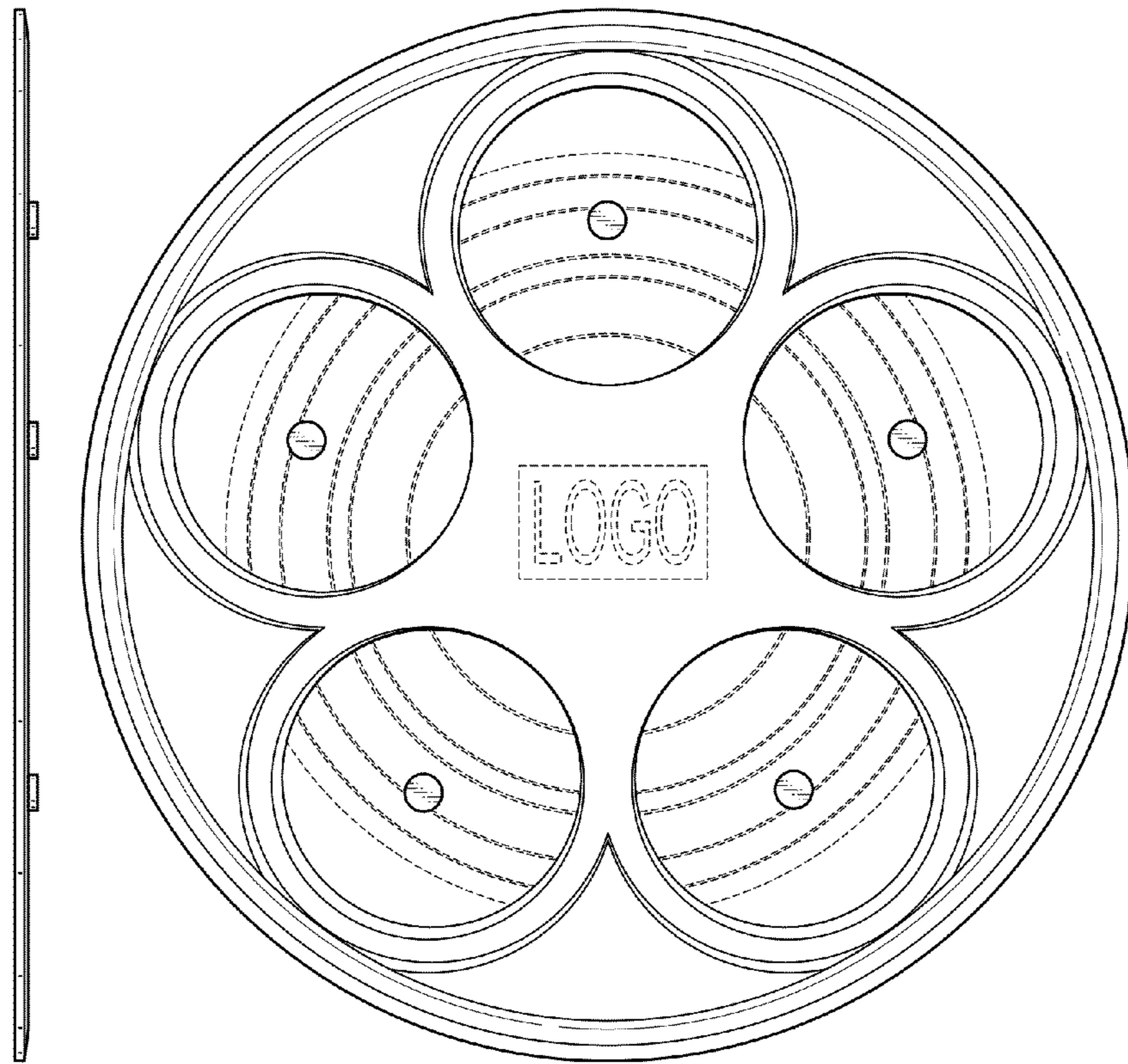


FIG.9

FIG.10

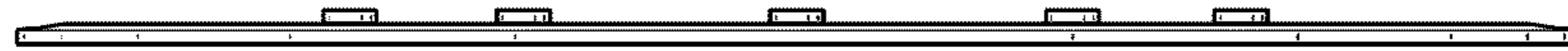


FIG.11

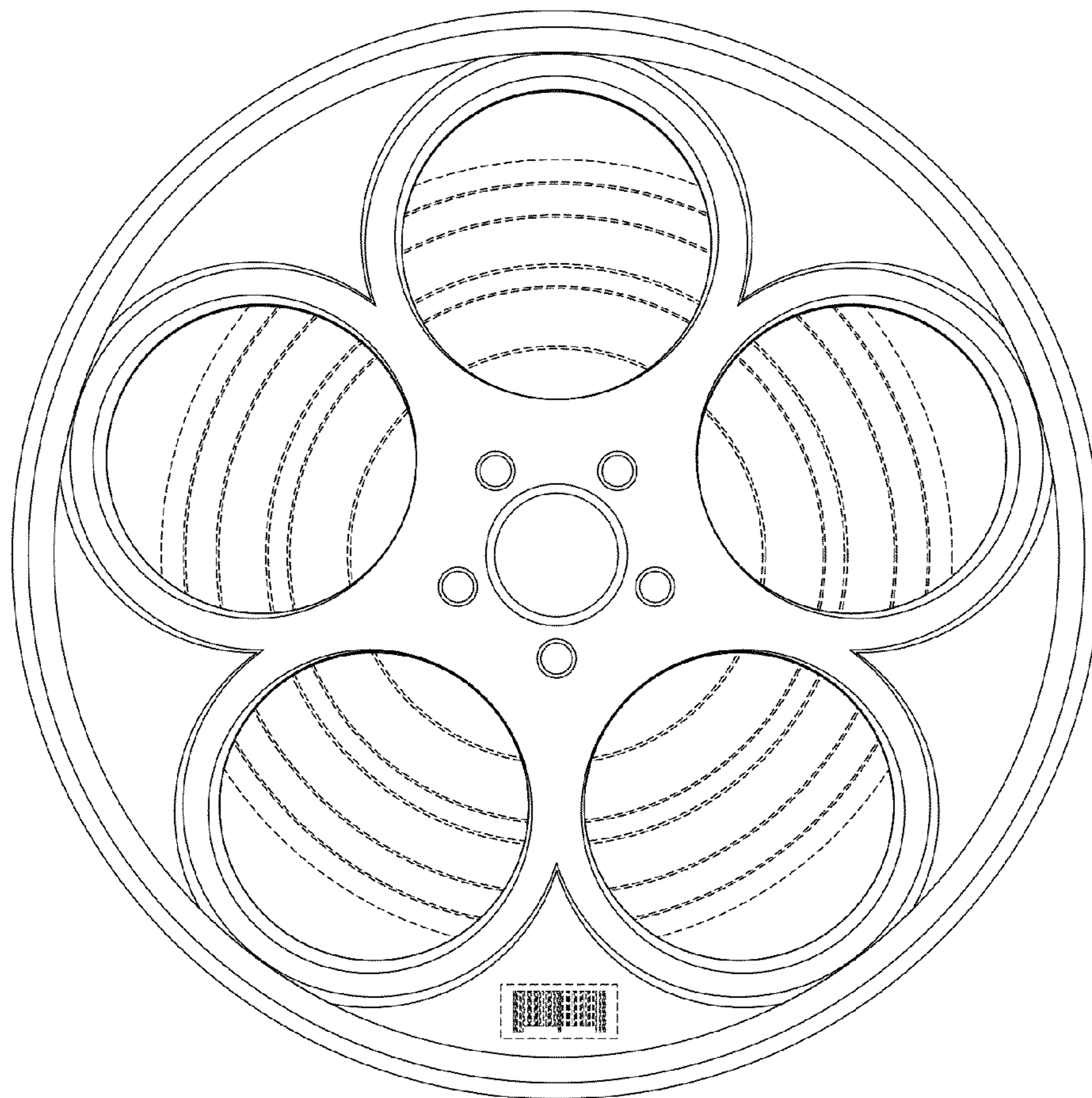


FIG.12

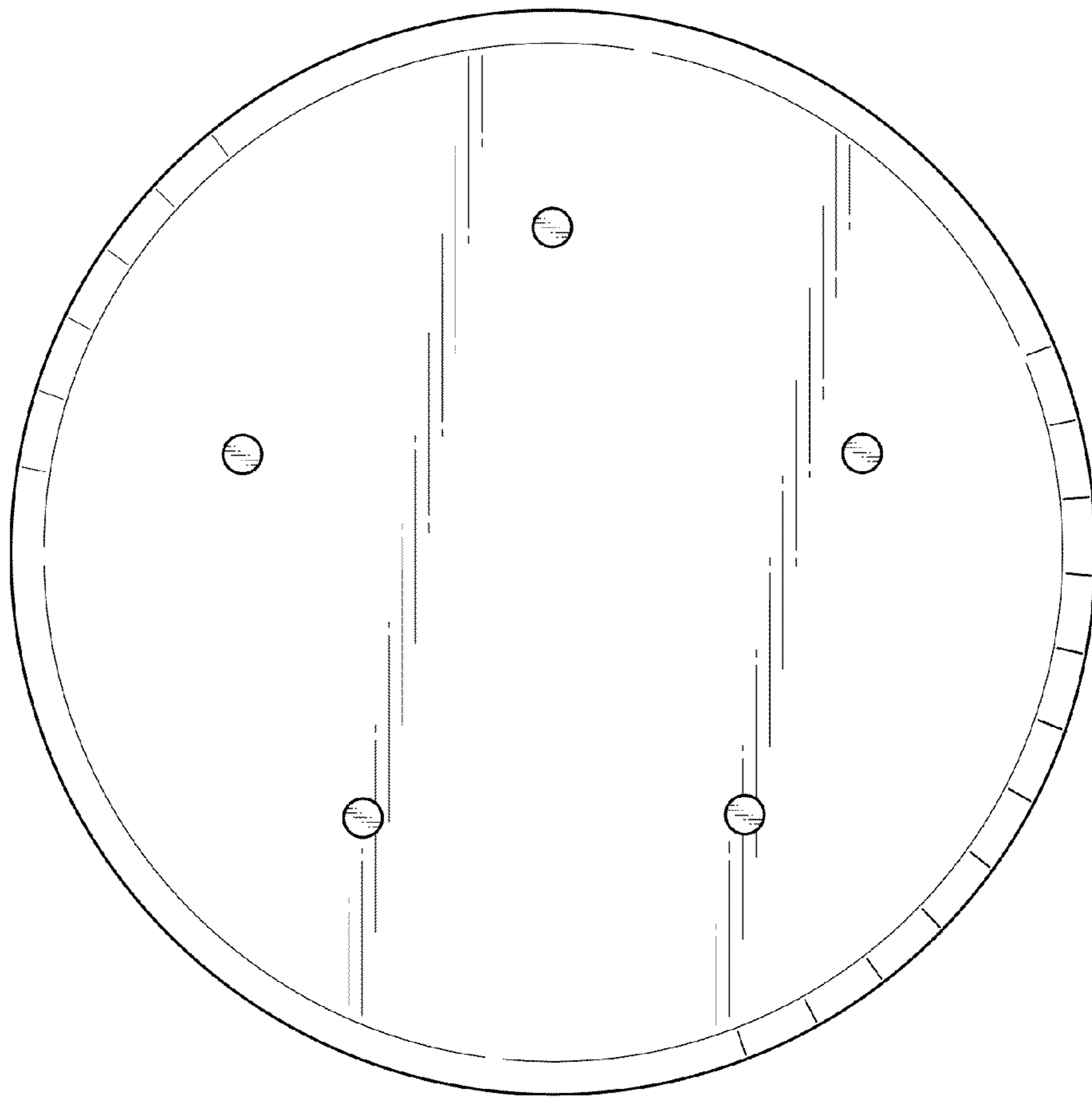


FIG.13

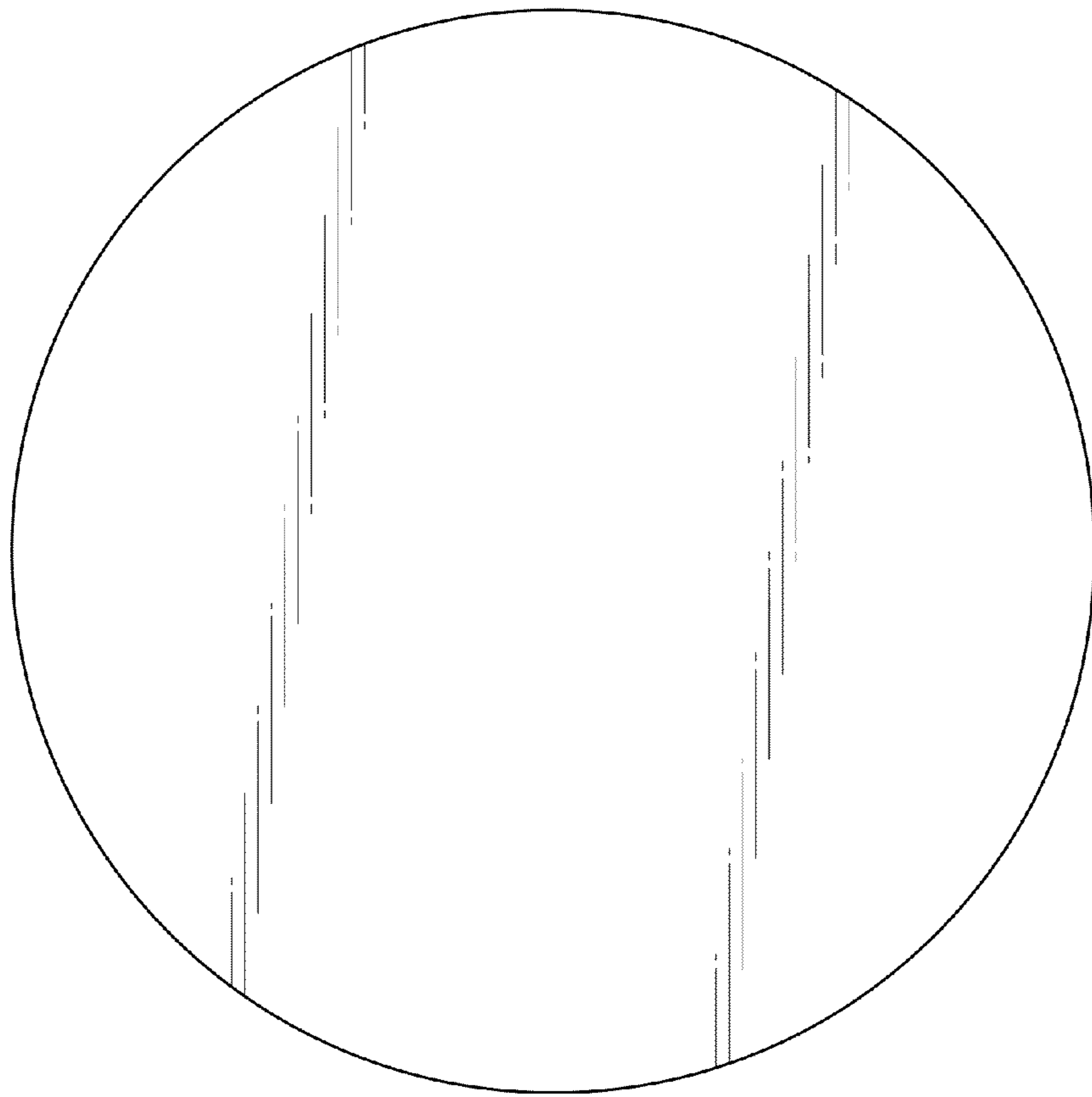


FIG.14

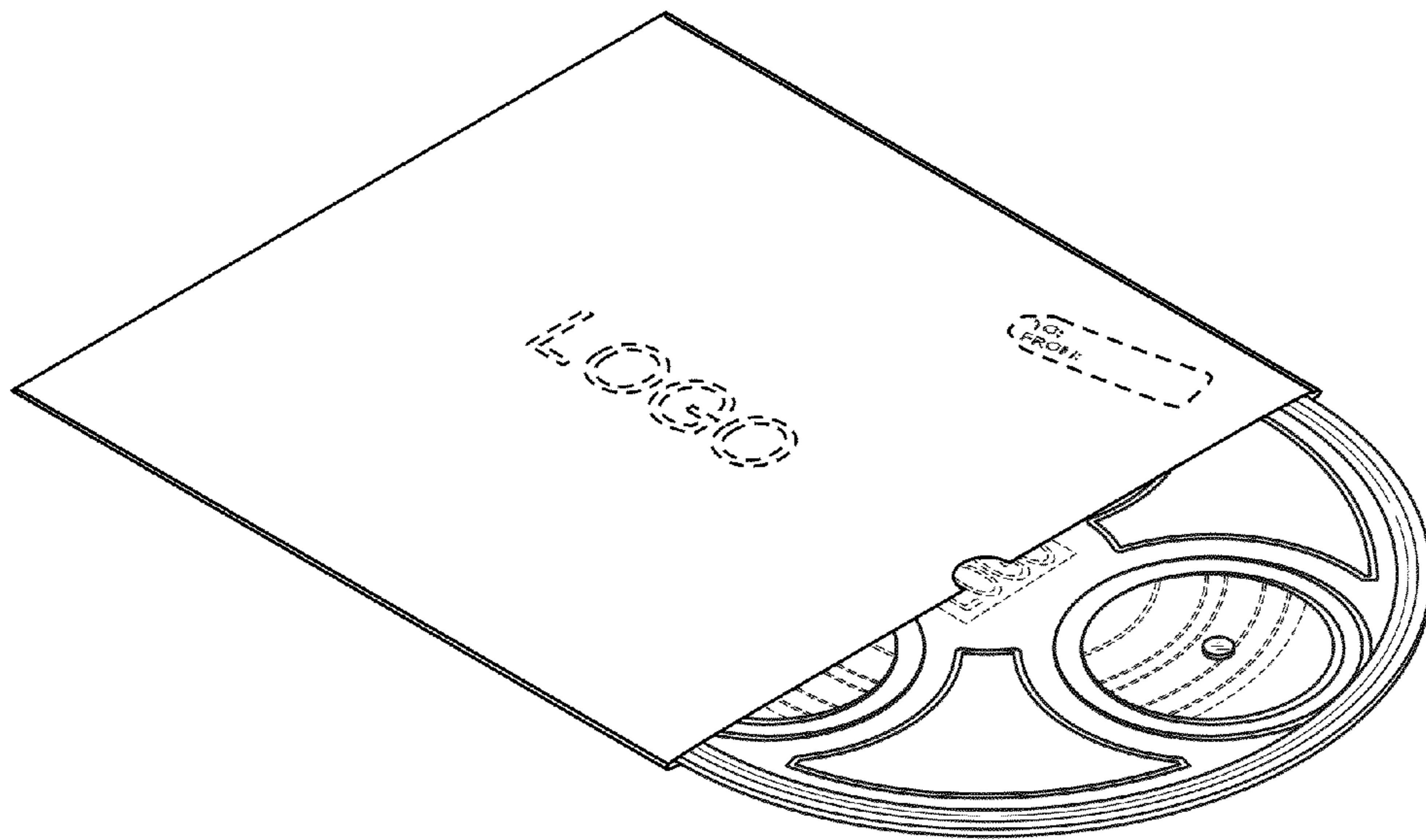


FIG.15

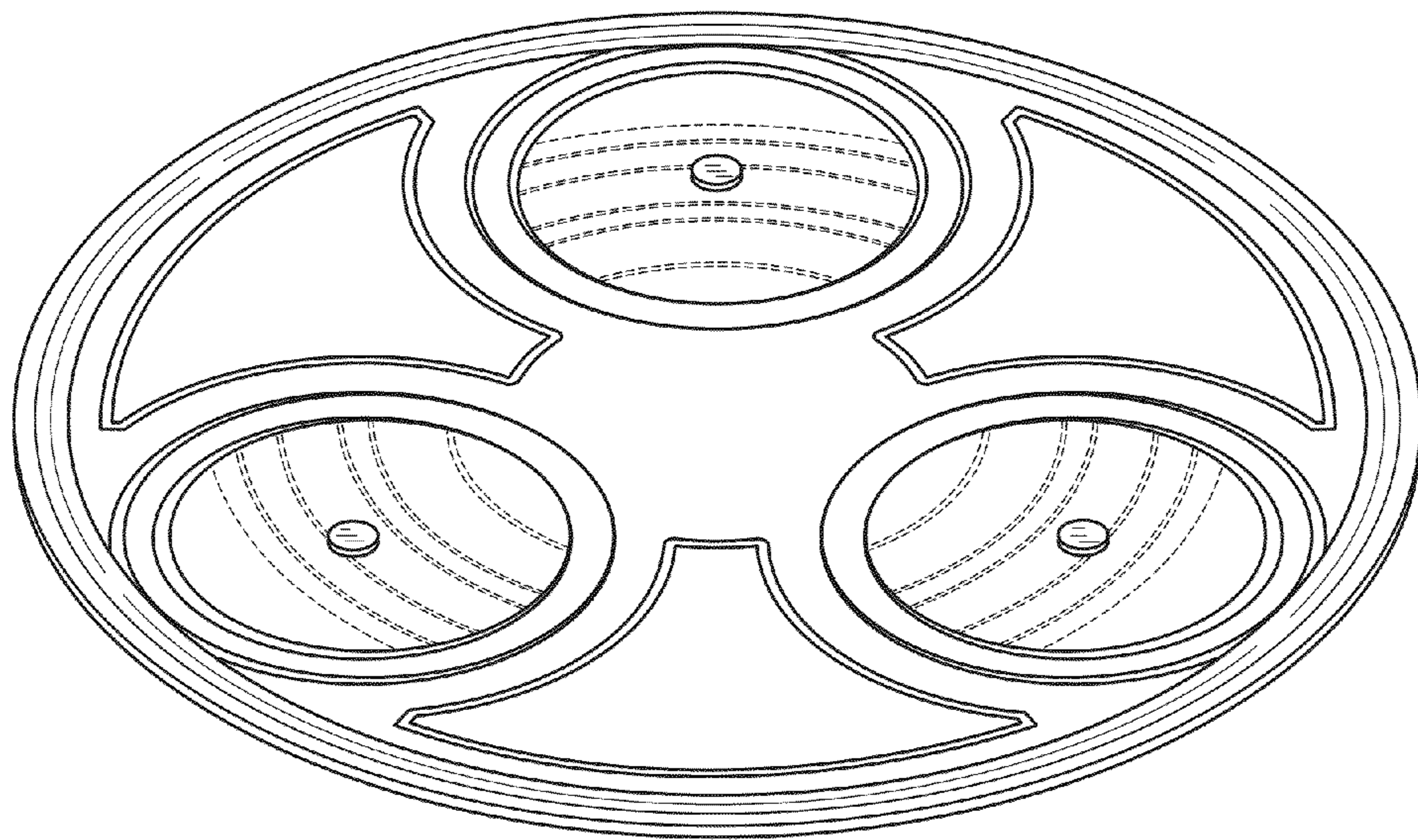


FIG.16

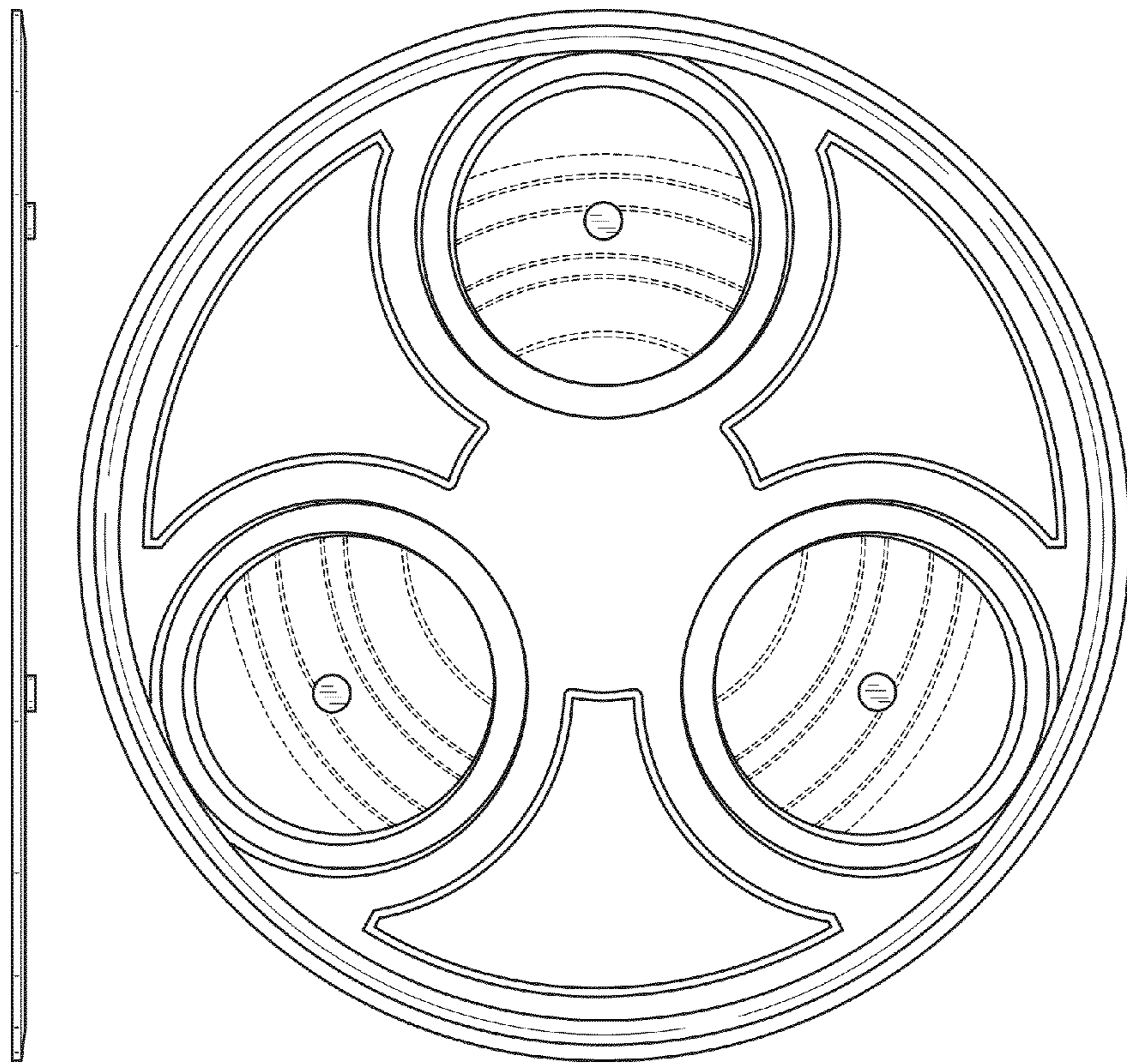


FIG.17

FIG.18

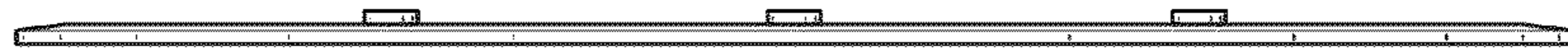


FIG.19

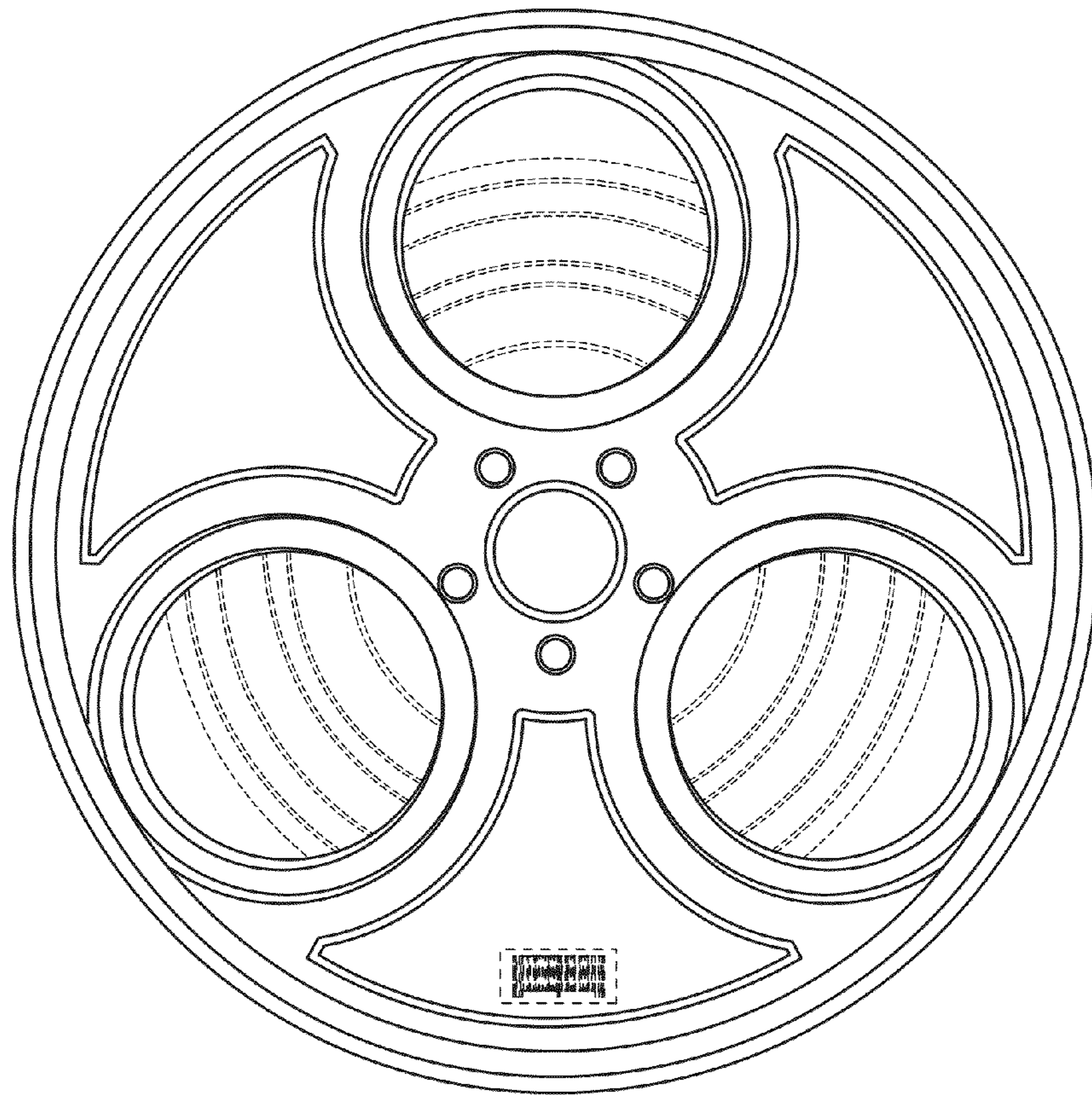


FIG. 20

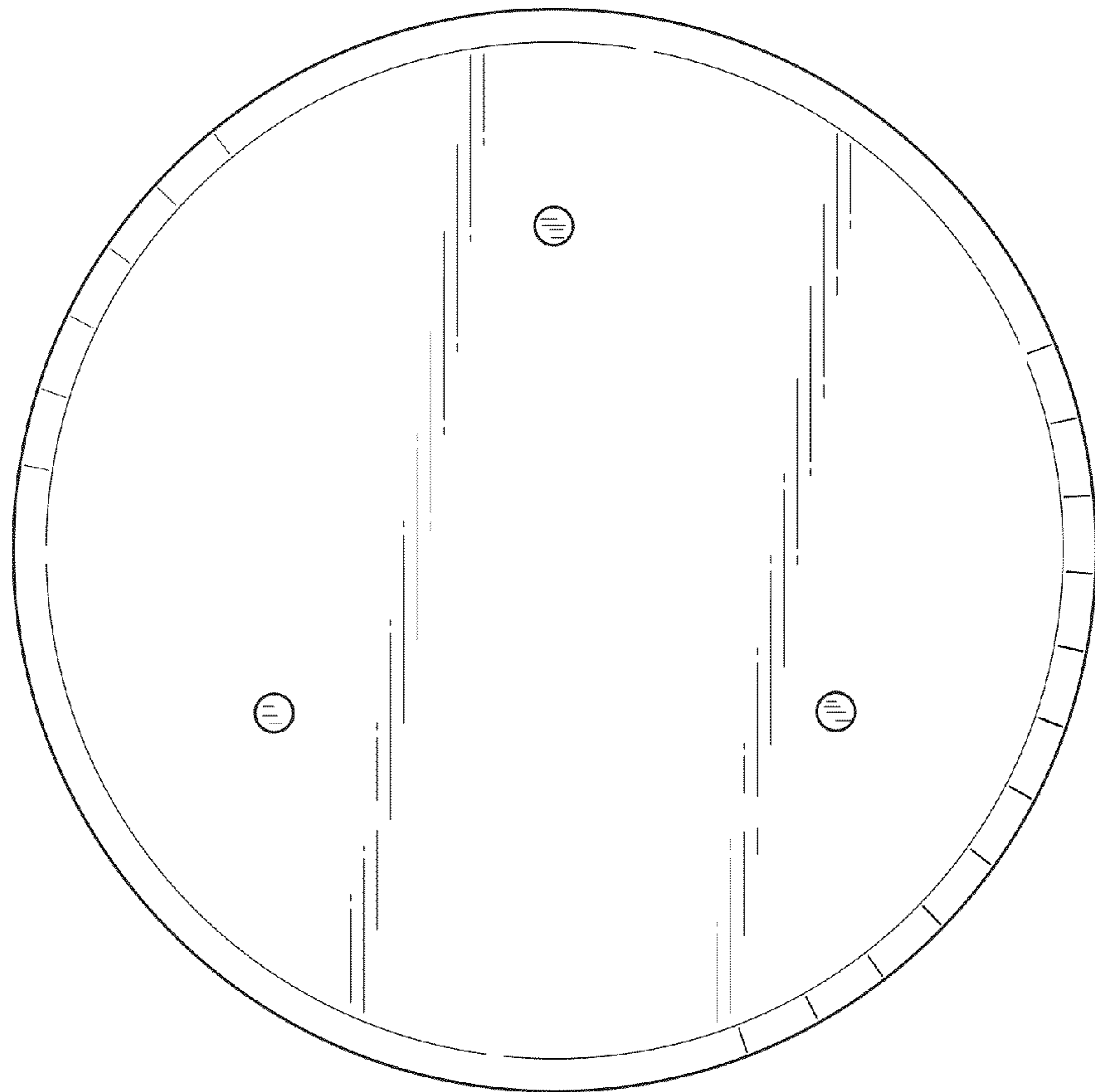


FIG.21