



US00D723938S

(12) **United States Design Patent**
Karasawa et al.

(10) **Patent No.:** **US D723,938 S**
(45) **Date of Patent:** **** Mar. 10, 2015**

(54) **INK PACK**

(71) Applicant: **Seiko Epson Corporation**, Tokyo (JP)

(72) Inventors: **Masahiro Karasawa**, Matsumoto (JP);
Ryota Takahashi, Matsumoto (JP);
Seiko Hamamoto, Azumino (JP);
Hidekatsu Miyasaka, Matsumoto (JP)

(73) Assignee: **Seiko Epson Corporation**, Tokyo (JP)

(**) Term: **14 Years**

(21) Appl. No.: **29/480,963**

(22) Filed: **Jan. 31, 2014**

(30) **Foreign Application Priority Data**

Aug. 23, 2013 (JP) 2013-019290

(51) **LOC (10) Cl.** **09-05**

(52) **U.S. Cl.**
USPC **D9/708**; D18/56

(58) **Field of Classification Search**
USPC D18/56, 43; D9/435-436, 440, 447,
D9/542, 424, 430-432, 521, 702-703, 708,
D9/720-722, 732, 738; 222/215;
347/86-87
See application file for complete search history.

(56) **References Cited**

U.S. PATENT DOCUMENTS

3,065,898	A *	11/1962	Daugherty	222/95
D213,479	S *	3/1969	Williams	D9/704
4,669,124	A *	5/1987	Kimura	383/80
D341,157	S *	11/1993	Kitahara et al.	D18/56
6,010,210	A *	1/2000	Wilson et al.	347/85
6,220,702	B1 *	4/2001	Nakamura et al.	347/86
D444,814	S *	7/2001	Hunt	D18/56
D513,417	S *	1/2006	Ishizawa et al.	D18/56
D544,909	S *	6/2007	Muranaka	D18/56
D551,288	S *	9/2007	Muranaka	D18/56
D551,289	S *	9/2007	Otsuka et al.	D18/56
7,367,663	B2 *	5/2008	Matsumoto	347/86
D572,751	S *	7/2008	Morino	D18/56

D584,350	S *	1/2009	Morino	D18/56
7,677,712	B2 *	3/2010	Ishizawa et al.	347/86
7,716,901	B2 *	5/2010	Price	53/413
7,905,587	B2 *	3/2011	Matsumoto	347/86
8,267,495	B2 *	9/2012	Nozawa et al.	347/86
8,353,583	B2 *	1/2013	Kimura	347/86
8,668,317	B2 *	3/2014	Ishizawa et al.	347/86

FOREIGN PATENT DOCUMENTS

JP	1275231	S	6/2006
JP	1275399	S	6/2006

* cited by examiner

Primary Examiner — Cathy A MacCormac

(57) **CLAIM**

The ornamental design for an ink pack, as shown and described.

DESCRIPTION

FIG. 1 is a front, top and right side perspective view of an ink pack showing our new design;
 FIG. 2 is a rear, bottom and left side perspective view thereof;
 FIG. 3 is a front view thereof;
 FIG. 4 is a rear view thereof;
 FIG. 5 is a top plan xview thereof;
 FIG. 6 is a bottom plan view thereof;
 FIG. 7 is a right side view thereof;
 FIG. 8 is a left side view thereof;
 FIG. 9 is an enlarged detail view of the portion indicated by line 9-9 in FIG. 1;
 FIG. 10 is an enlarged detail view of the portion indicated by line 10-10 in FIG. 3; and,
 FIG. 11 is an enlarged top plan view.
 The features shown in broken lines in the drawings depict environmental subject matter only and form no part of the claimed design.
 The long dash-dot-long dash broken lines in FIGS. 9 and 10 correspond to the detail indicator lines in FIGS. 1 and 3, respectively, depict environmental subject matter only, and form no part of the claimed design.

1 Claim, 11 Drawing Sheets

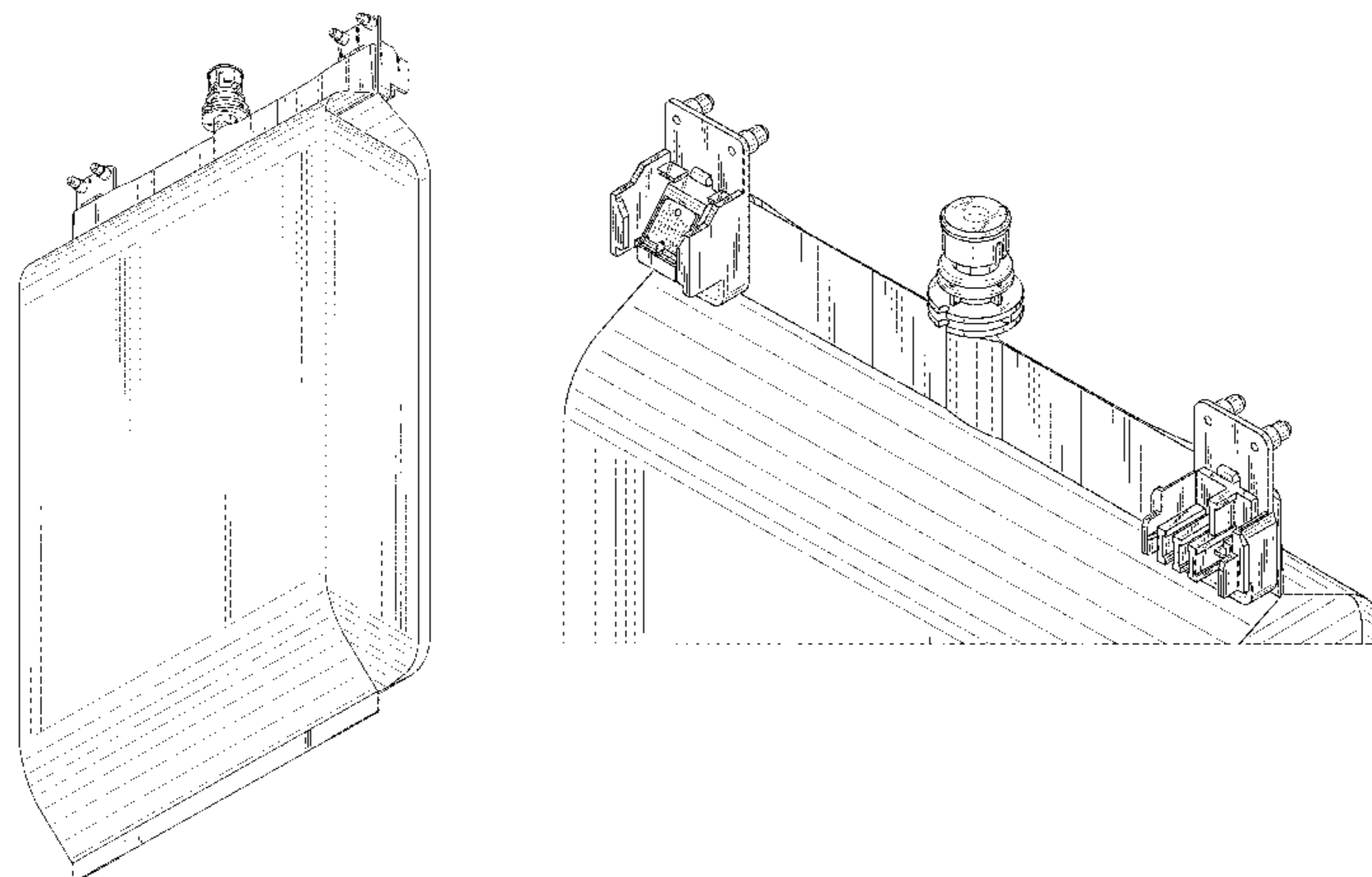


FIG. 1

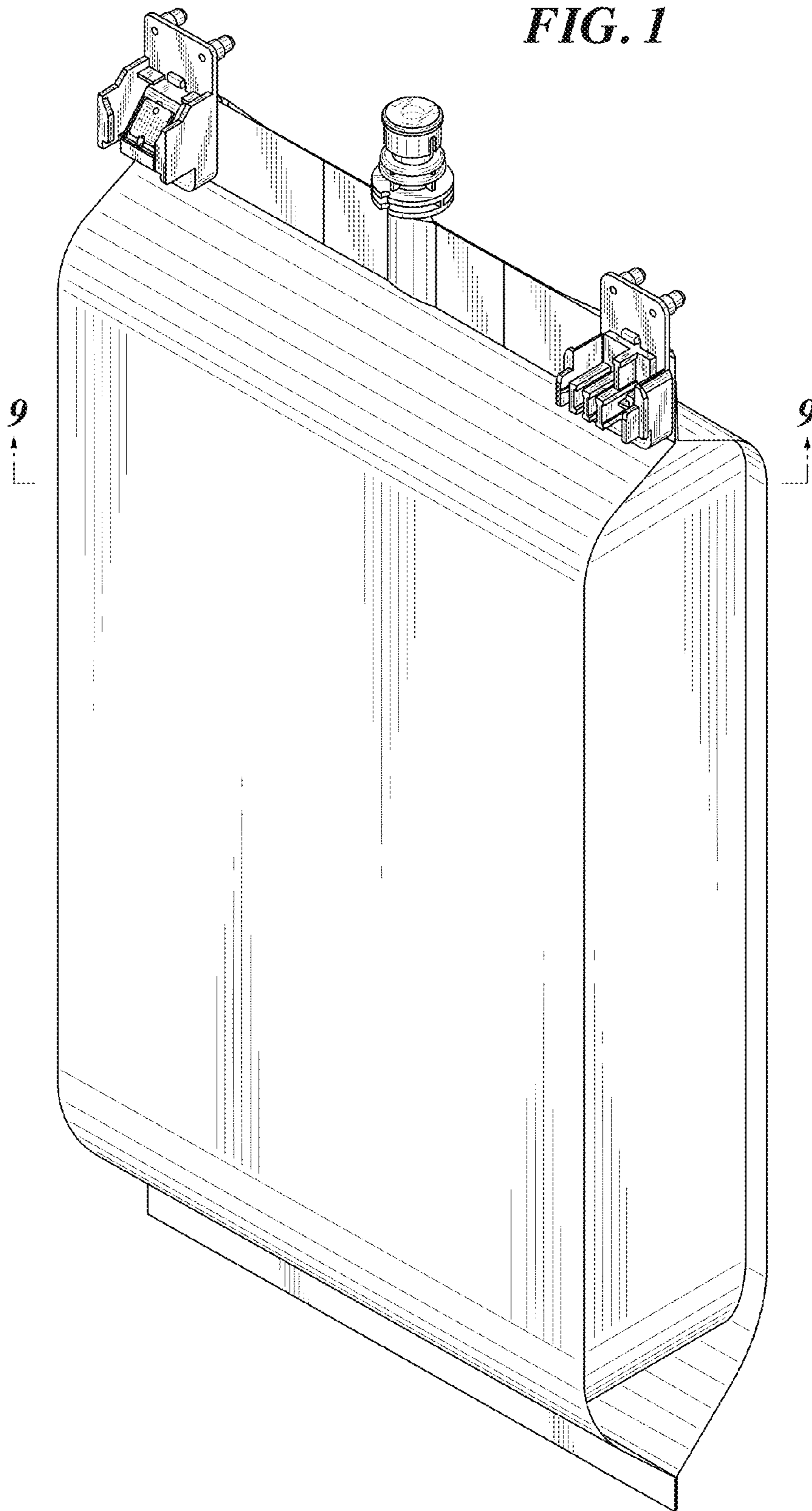


FIG. 2

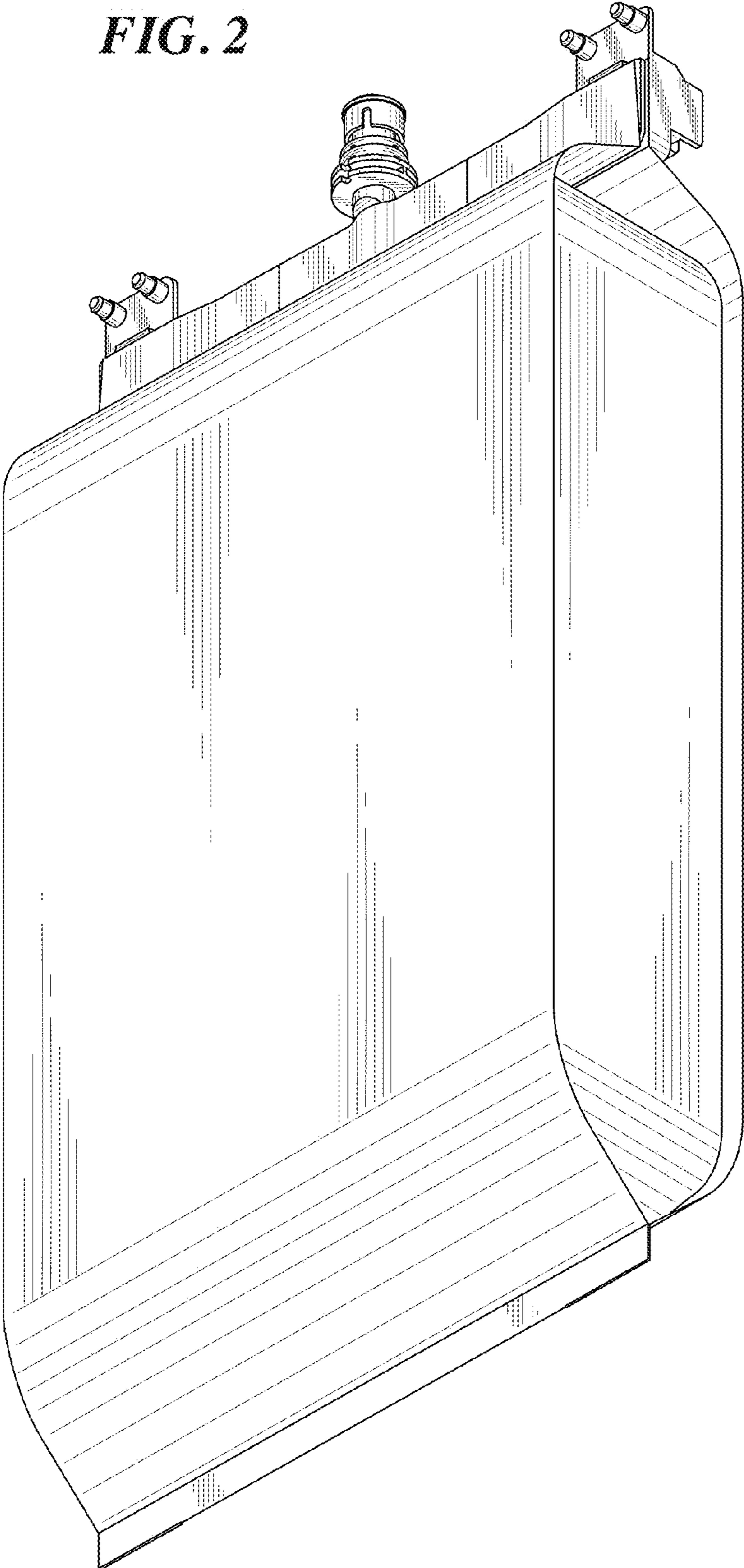


FIG. 3

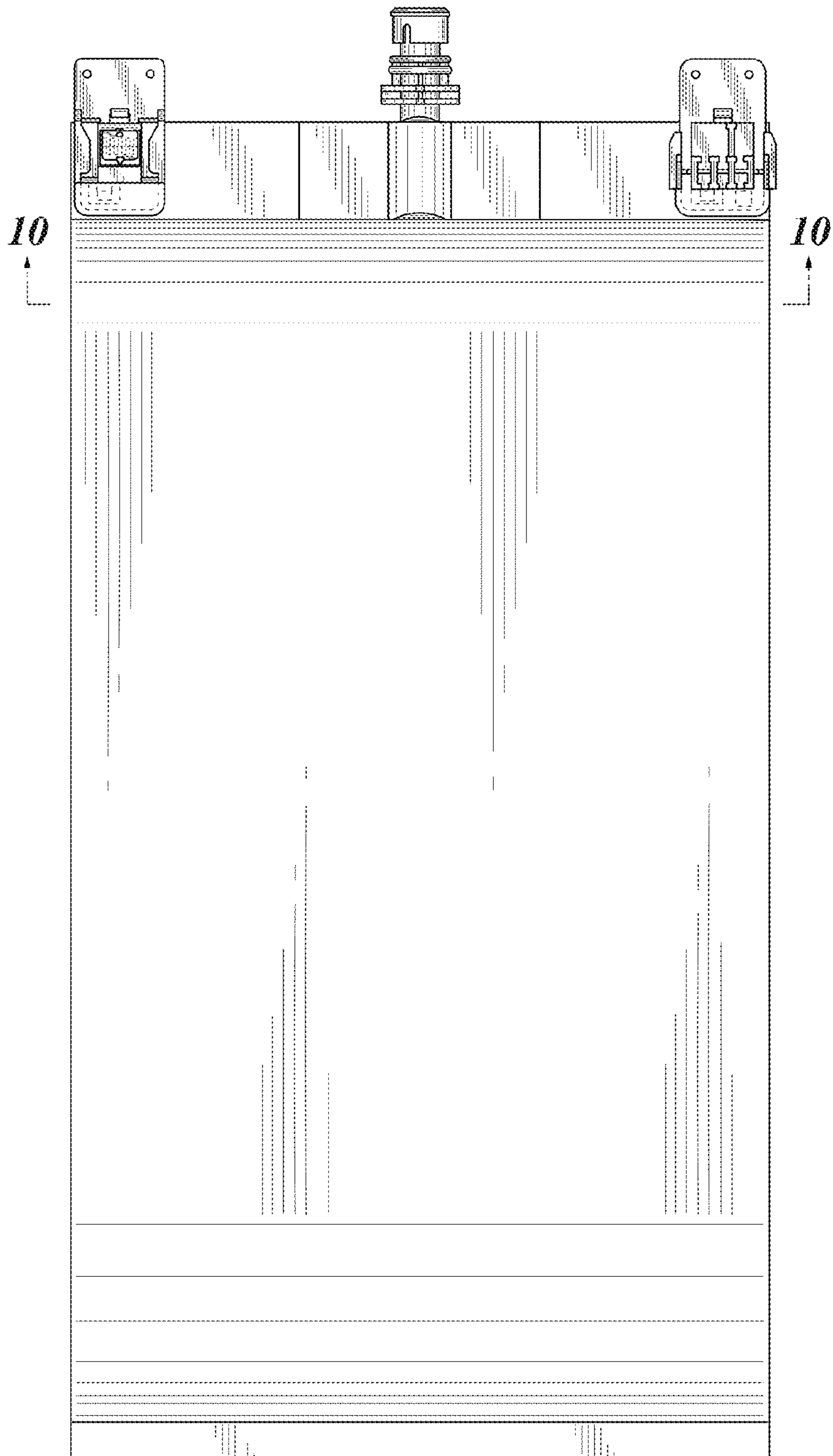


FIG. 4

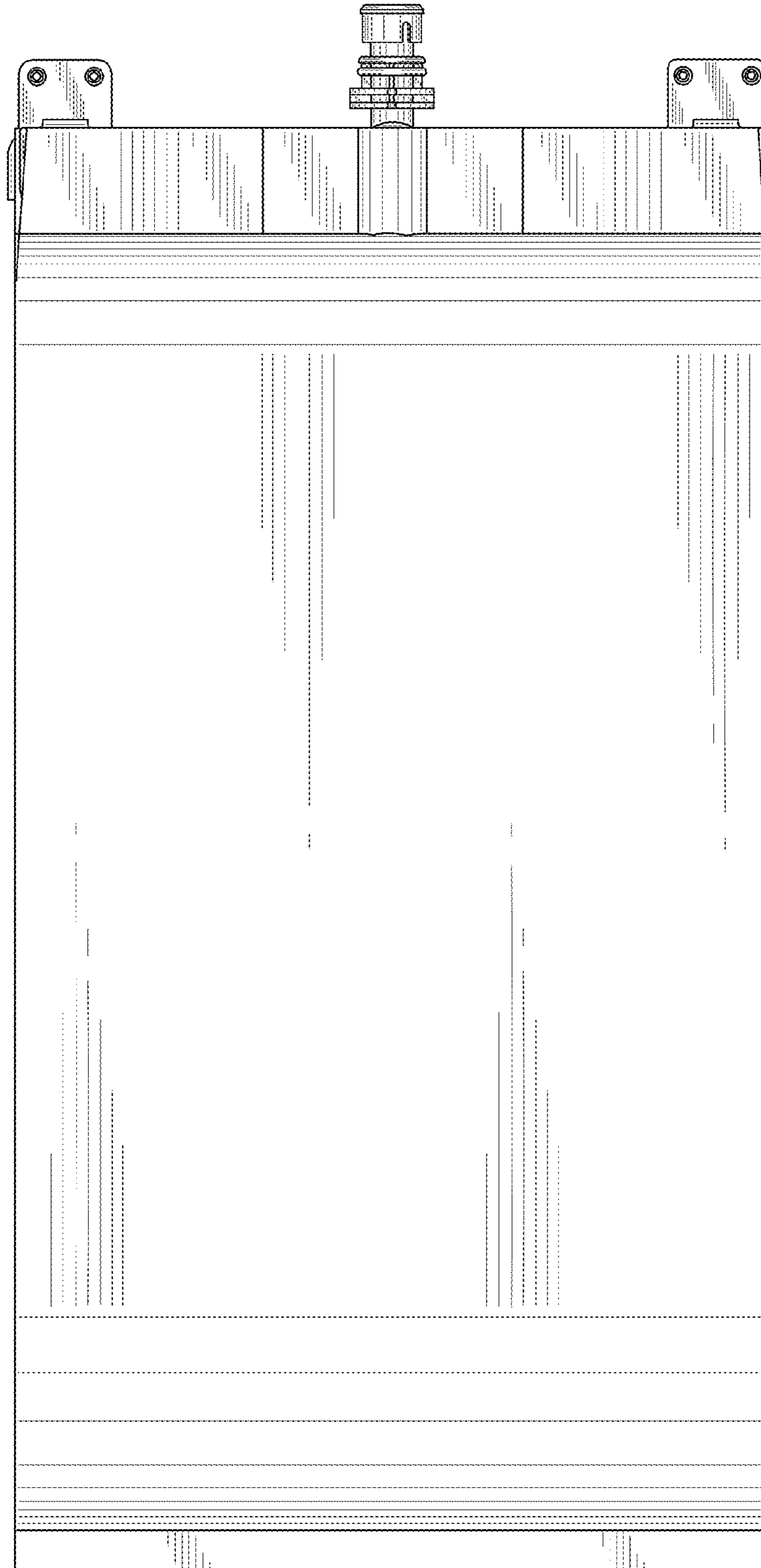


FIG. 5

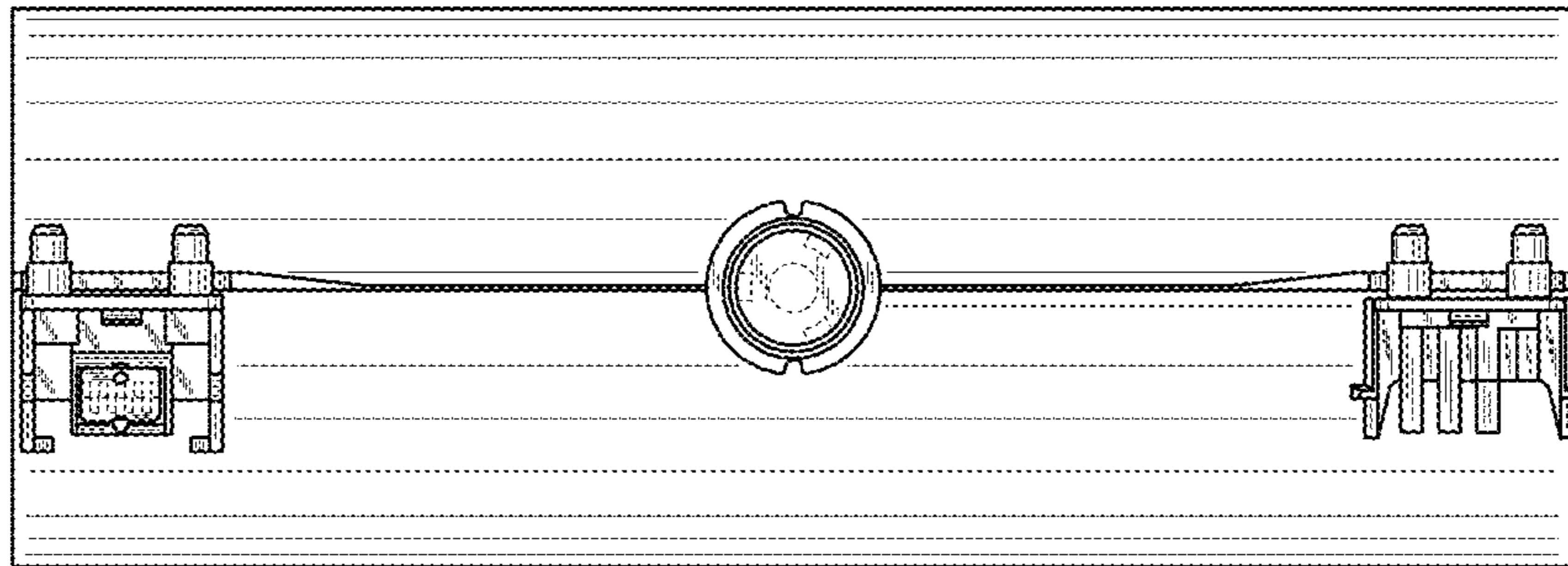


FIG. 6

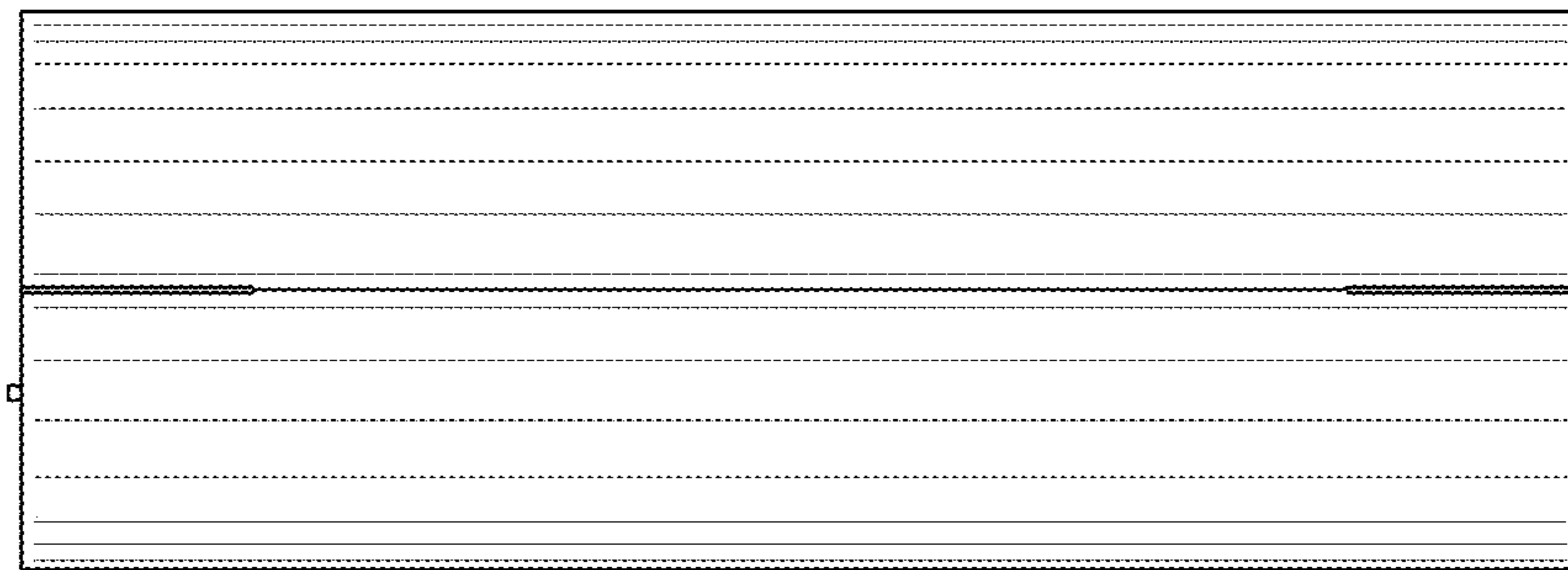


FIG. 7

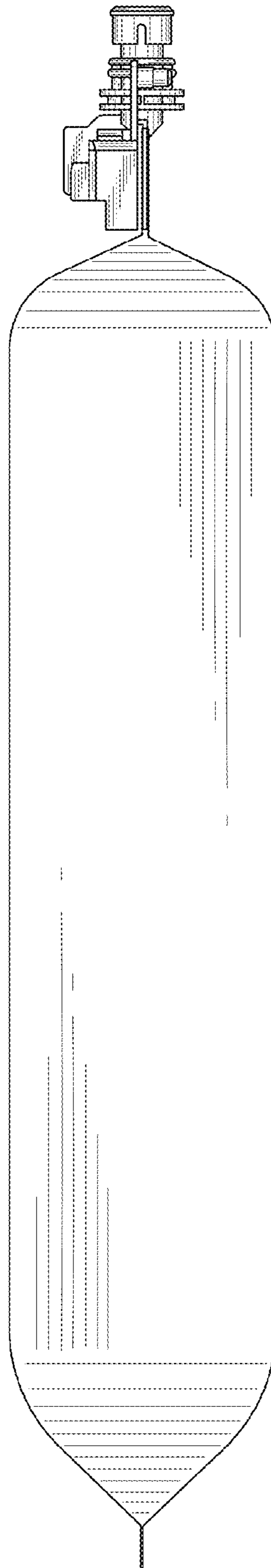


FIG. 8

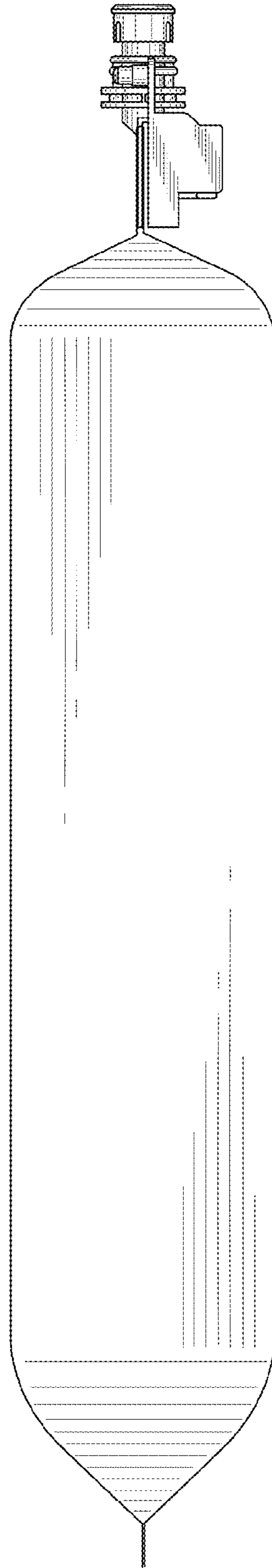


FIG. 9

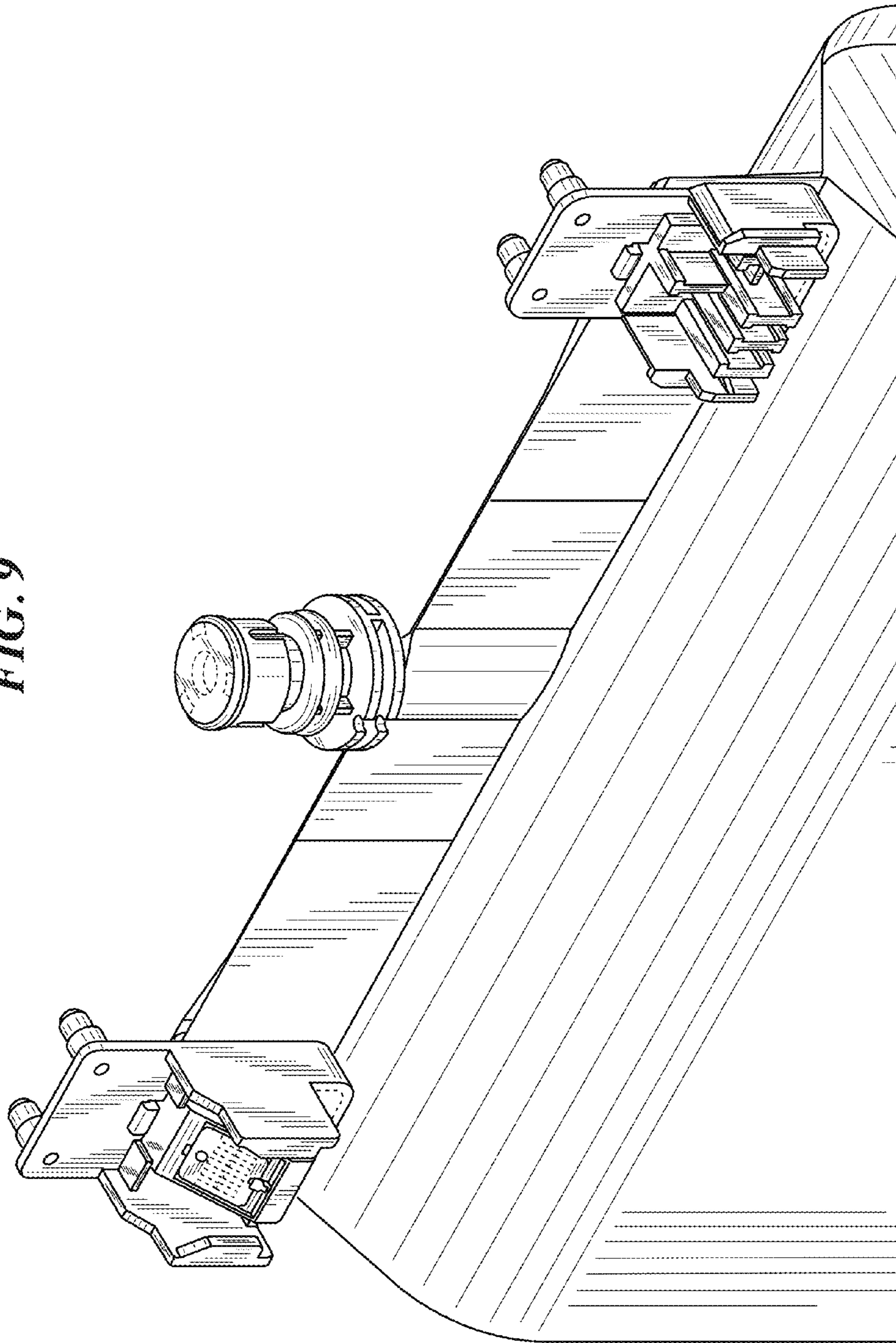


FIG. 10

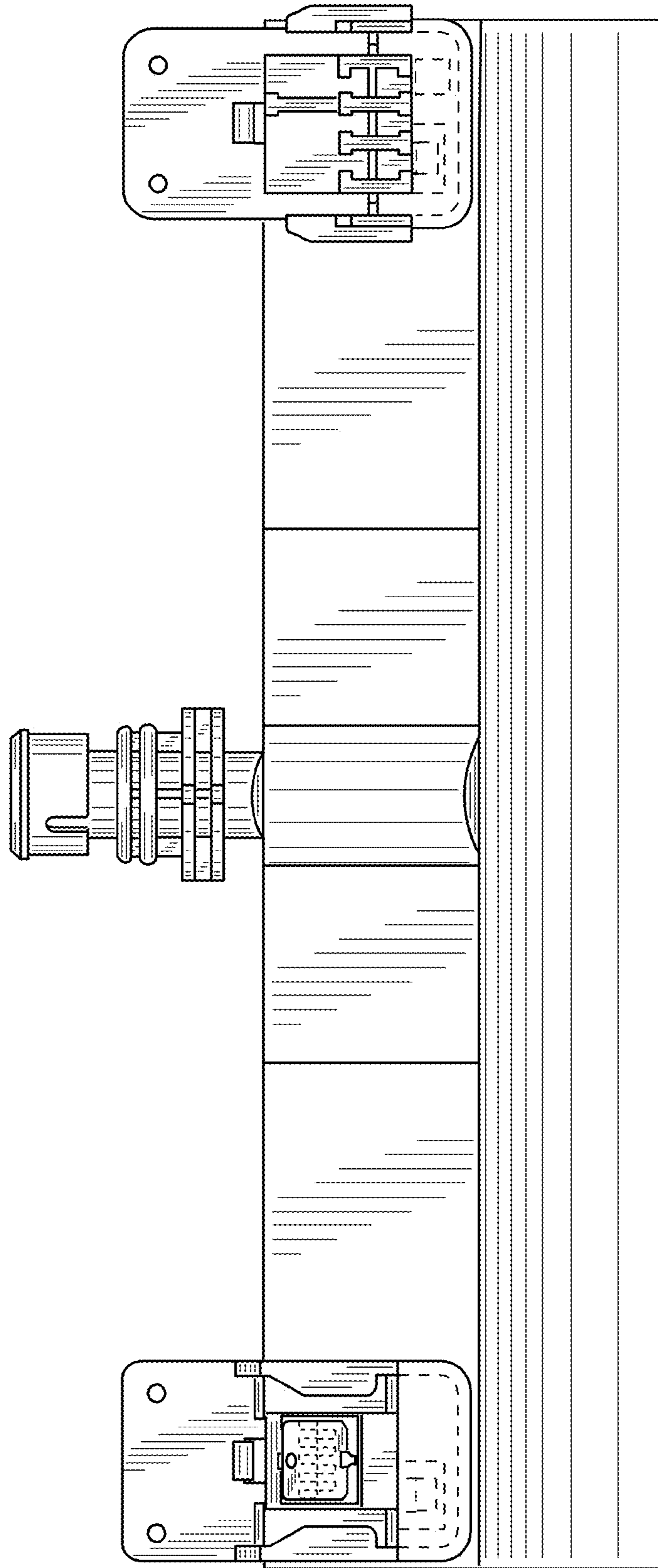


FIG. 11

