



US00D723934S

(12) **United States Design Patent**
Kim

(10) **Patent No.:** **US D723,934 S**
(45) **Date of Patent:** **** Mar. 10, 2015**

(54) **COSMETIC CONTAINER**
(71) Applicant: **Yonwoo Co Ltd.**, Incheon (KR)
(72) Inventor: **Min-Goo Kim**, Incheon (KR)
(73) Assignee: **Yonwoo Co., Ltd.**, Incheon (KR)
(**) Term: **14 Years**

D521,386	S	*	5/2006	Priestman	D9/529
D569,735	S	*	5/2008	O'Donahue	D9/691
D583,253	S	*	12/2008	Yamamoto	D9/687
D643,743	S	*	8/2011	Yu	D9/689
D680,443	S	*	4/2013	You	D9/691
D683,238	S	*	5/2013	You	D9/688
2003/0165433	A1	*	9/2003	Amr	424/45
2007/0221686	A1	*	9/2007	Bae	222/409
2012/0267390	A1	*	10/2012	Jeong et al.	222/41
2013/0228482	A1	*	9/2013	Son	206/219
2014/0117051	A1	*	5/2014	Duquet	222/148

(21) Appl. No.: **29/472,173**

(22) Filed: **Nov. 8, 2013**

(30) **Foreign Application Priority Data**

May 24, 2013 (KR) 30-2013-0026923

(51) **LOC (10) Cl.** **09-01**

(52) **U.S. Cl.**
USPC **D9/691**

(58) **Field of Classification Search**
CPC B05B 11/00; B05B 11/0027; B05B 11/0035;
B05B 11/3004; B05B 11/3001; B65D 83/14
USPC D9/682-694, 504, 516, 529, 434-436,
D9/445, 448; D28/76, 77, 88, 89, 91.1;
222/153.11-153.14, 631, 635,
222/321.1-321.5, 321.6-322, 372, 373,
222/379, 383.3, 383.1, 386, 389, 398,
222/400.5-401, 402-402.25

See application file for complete search history.

(56) **References Cited**

U.S. PATENT DOCUMENTS

D400,783	S	*	11/1998	de Mourgues	D9/691
D406,761	S	*	3/1999	Garcia	D9/434
D422,902	S	*	4/2000	Kikuchi	D9/689
D437,212	S	*	2/2001	Adachi et al.	D9/686
D463,734	S	*	10/2002	Gobe	D9/691
D465,410	S	*	11/2002	Kikuchi	D9/691
6,648,244	B2	*	11/2003	Yu	239/323

FOREIGN PATENT DOCUMENTS

KR	300516961.0000	*	1/2009
KR	300569208.0000	*	8/2010
KR	300569502.0000	*	8/2010
KR	300583052.0000	*	12/2010
KR	300621068.0000	*	11/2011
KR	300579078.0001	*	12/2011
KR	300668134.0000	*	11/2012

* cited by examiner

Primary Examiner — Catherine Tuttle

(57) **CLAIM**

The ornamental design for a cosmetic container, as shown and described.

DESCRIPTION

FIG. 1 is a perspective view of a cosmetic container showing my new design;

FIG. 2 is a front elevational view thereof;

FIG. 3 is a rear elevational view thereof;

FIG. 4 is a left side elevational view thereof;

FIG. 5 is a right side elevational view thereof;

FIG. 6 is a top plan view thereof; and,

FIG. 7 is a bottom plan view thereof.

The broken lines shown in FIG. 7 are included for the purpose of illustrating portion of the cosmetic container that forms no part of the claimed design.

1 Claim, 6 Drawing Sheets

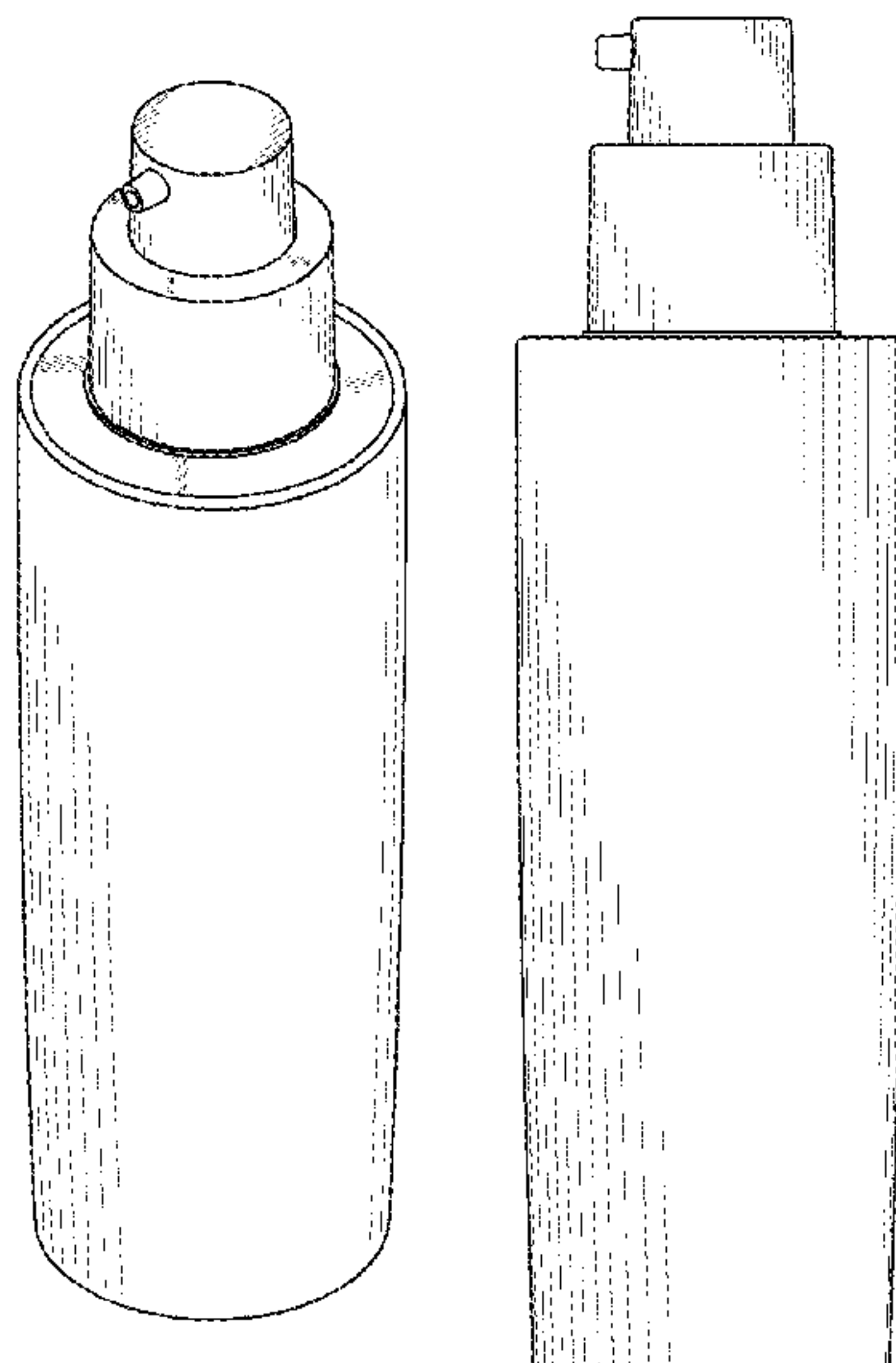


Fig. 1

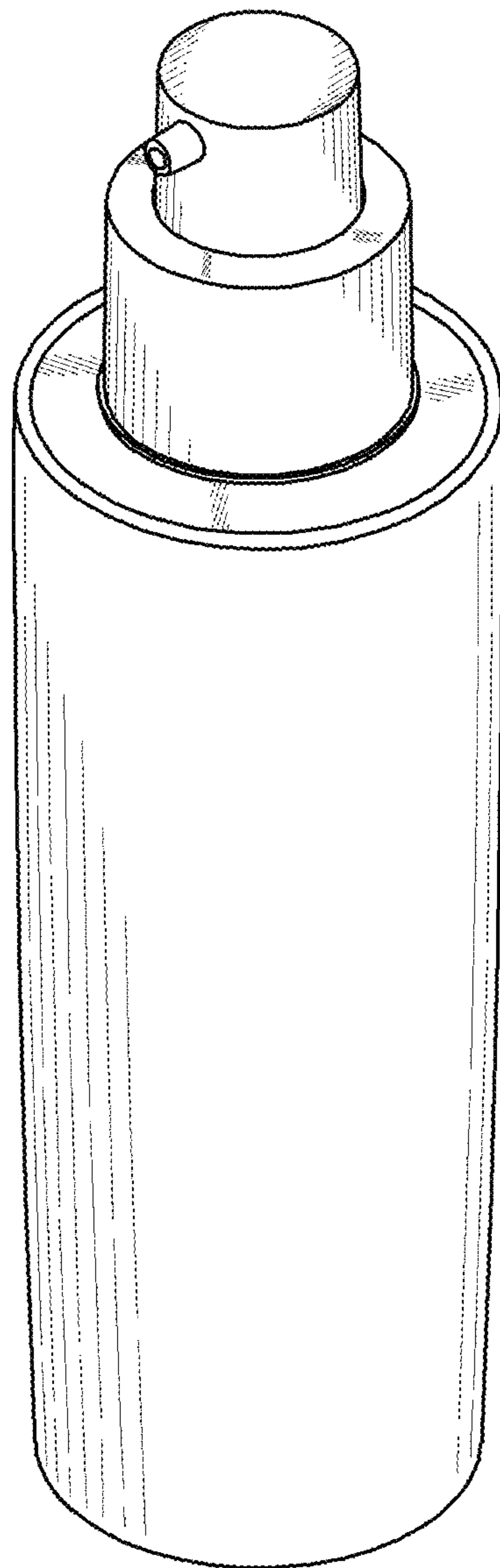


Fig. 2

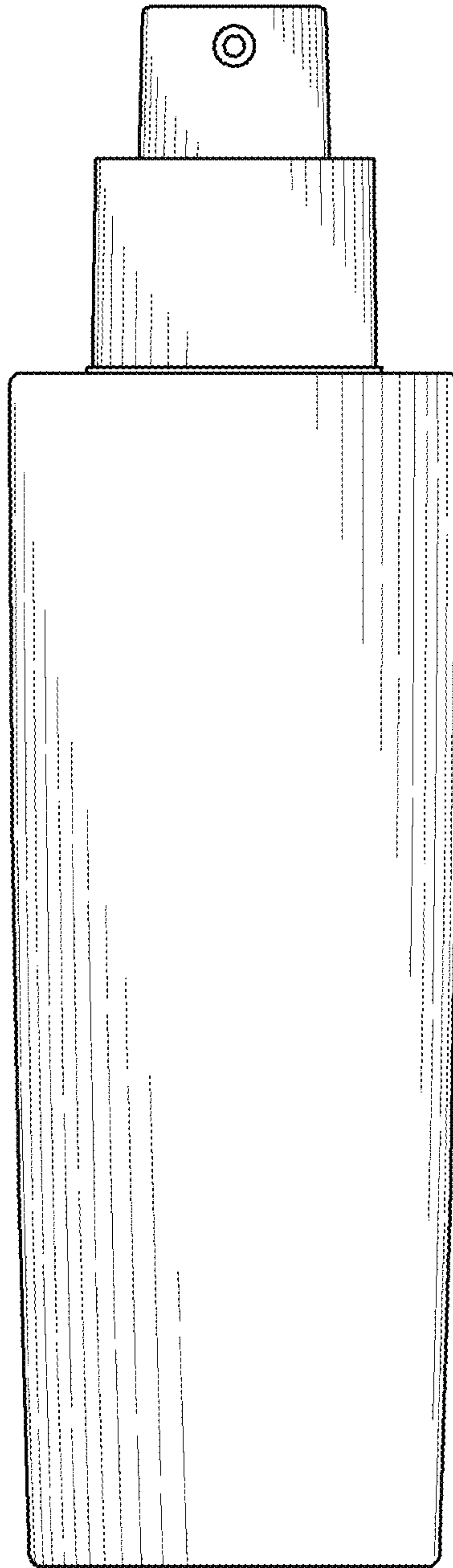


Fig. 3

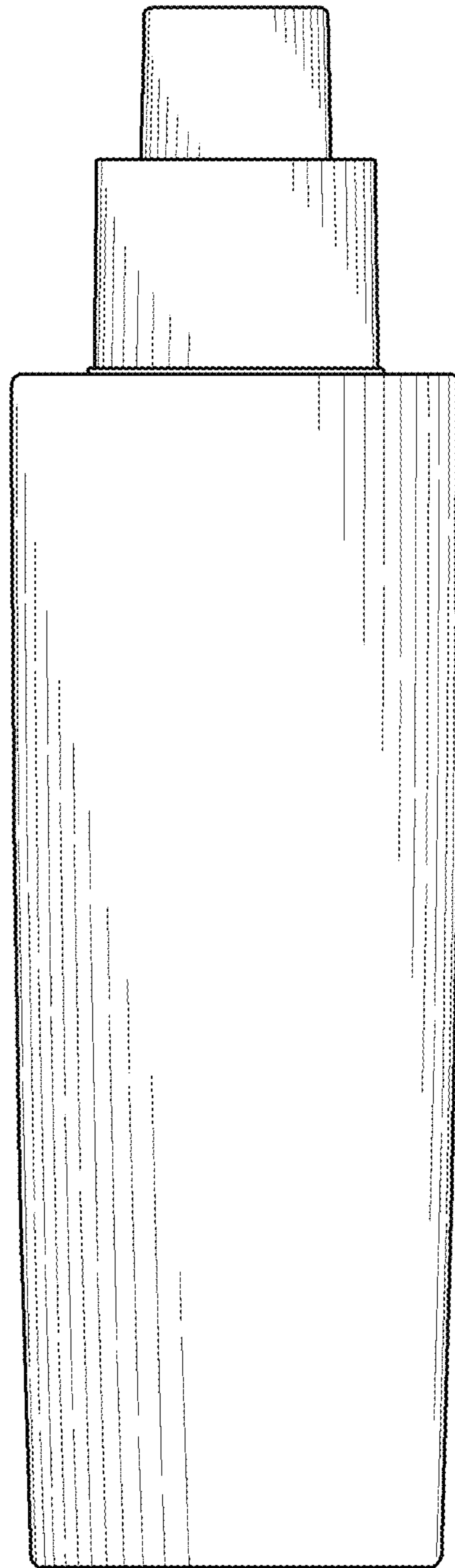


Fig. 4

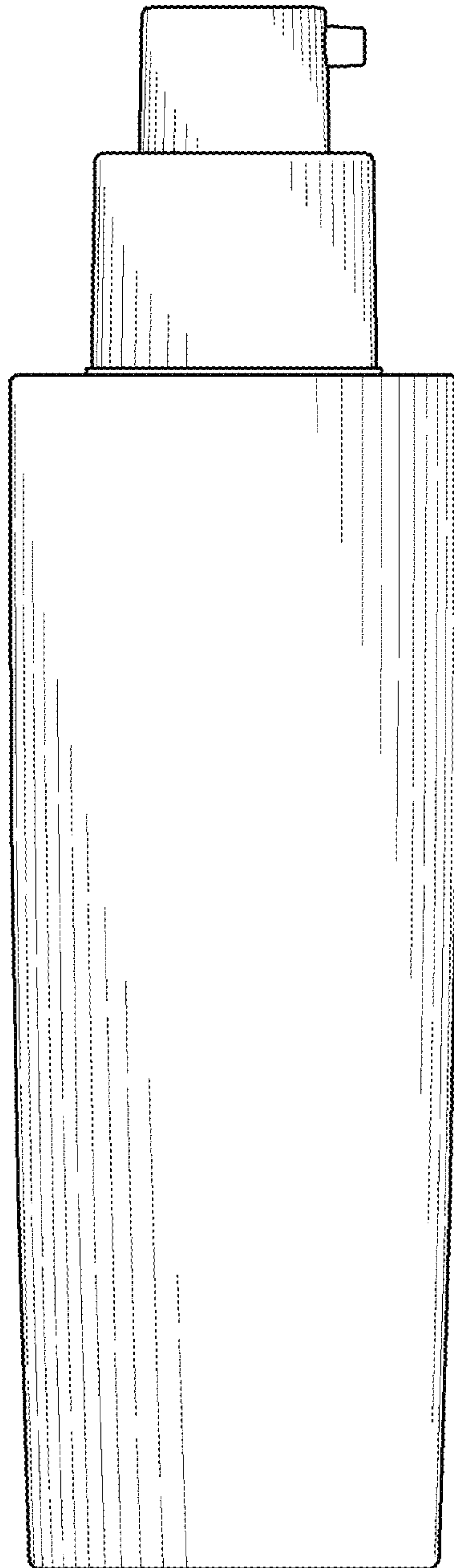


Fig. 5

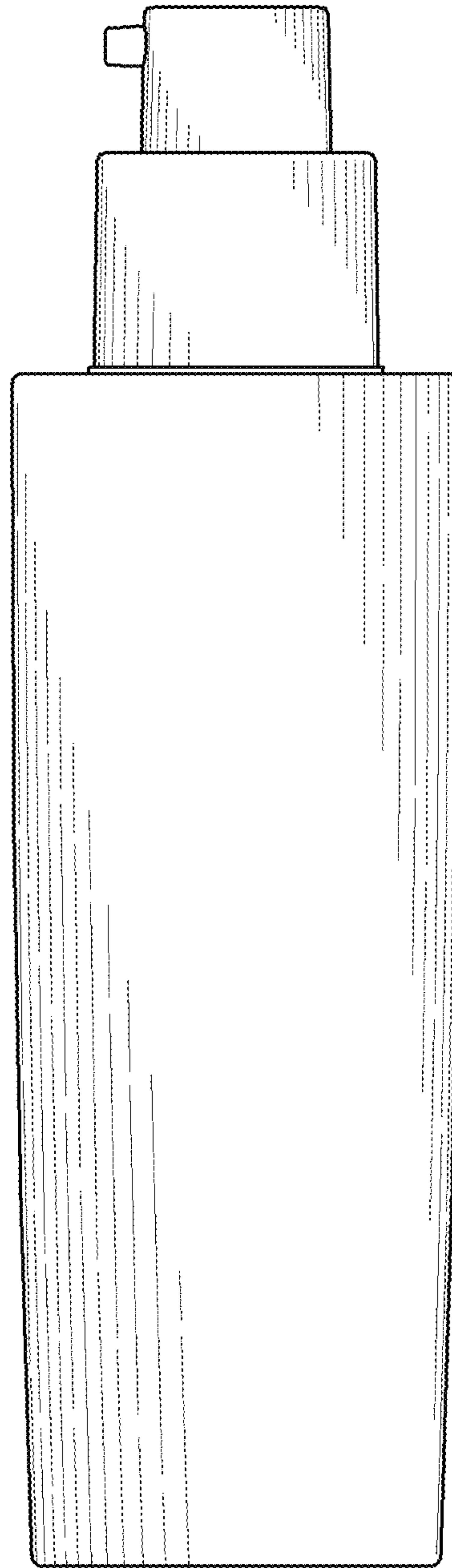


Fig. 6

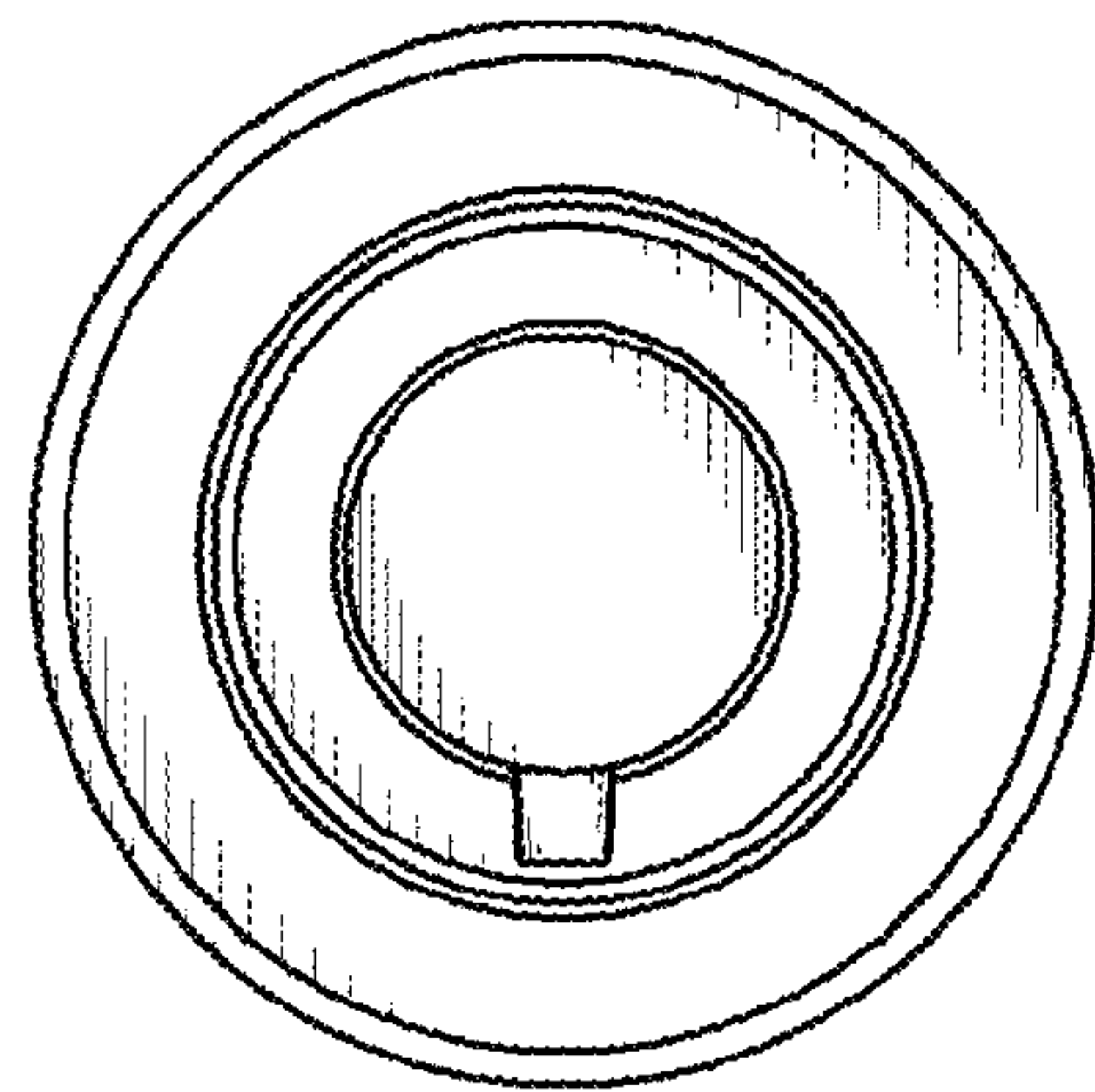


Fig. 7

