



US00D723928S

(12) **United States Design Patent**  
**Holden et al.**

(10) **Patent No.:** **US D723,928 S**  
(45) **Date of Patent:** **\*\* Mar. 10, 2015**

(54) **CONTAINER**

(71) Applicant: **Diversey, Inc.**, Sturtevant, WI (US)  
(72) Inventors: **David J. Holden**, Derbyshire (DE);  
**Jonathan D. Bradshaw**, Nottingham (GB); **Barry Hague**, South Yorkshire (GB); **Michael Bertucci**, Gurnee, IL (US); **Lambertus Gerardus P. Van Der Heijden**, WB Bunnik (NL)

(73) Assignee: **Diversey, Inc.**, Sturtevant, WI (US)

(\*\*) Term: **14 Years**

(21) Appl. No.: **29/472,843**

(22) Filed: **Nov. 15, 2013**

(51) **LOC (10) Cl.** ..... **09-01**

(52) **U.S. Cl.**

USPC ..... **D9/528**

(58) **Field of Classification Search**

CPC ..... B65D 1/023; B65D 1/0223; B65D 1/165;  
B65D 1/40; B65D 1/44; B65D 7/04; B65D  
25/00; B65D 25/28; B65D 41/0457; B65D  
41/17; B65D 53/06; B65D 75/56; B65D  
79/005; B65D 2501/0036; B65D 2543/00064;  
B65D 2543/00074; B65D 2543/00083; B65D  
2543/00092; B65D 2543/00101; B65D  
2543/00111  
USPC ..... D9/516, 523, 528, 530, 531, 540, 543,  
D9/575; 215/381-385; 220/660, 669, 679,  
220/752

See application file for complete search history.

(56) **References Cited**

**U.S. PATENT DOCUMENTS**

2,787,405 A 4/1957 Shvetz  
2,904,227 A 9/1959 Graham

(Continued)

**FOREIGN PATENT DOCUMENTS**

GB 2145061 3/1985  
GB 2394947 12/2004

(Continued)

**OTHER PUBLICATIONS**

The Medi-Dose Group, <<http://www.medidose.com>> webpage available as early as Nov. 27, 1999.

(Continued)

*Primary Examiner* — Keli L Hill

(74) *Attorney, Agent, or Firm* — Michael Best & Friedrich LLP

(57) **CLAIM**

We claim the ornamental design for a container, as shown and described.

**DESCRIPTION**

FIG. 1 is a perspective view of a container according to one embodiment of the invention.

FIG. 2 is a front view of the container of FIG. 1.

FIG. 3 is a rear view of the container of FIG. 1.

FIG. 4 is right side view of the container of FIG. 1.

FIG. 5 is a left side view of the container of FIG. 1.

FIG. 6 is a top view of the container of FIG. 1.

FIG. 7 is a bottom view of the container of FIG. 1.

FIG. 8 is a perspective view of a container according to another embodiment of the invention.

FIG. 9 is a front view of the container of FIG. 8.

FIG. 10 is a rear view of the container of FIG. 8.

FIG. 11 is left side view of the container of FIG. 8.

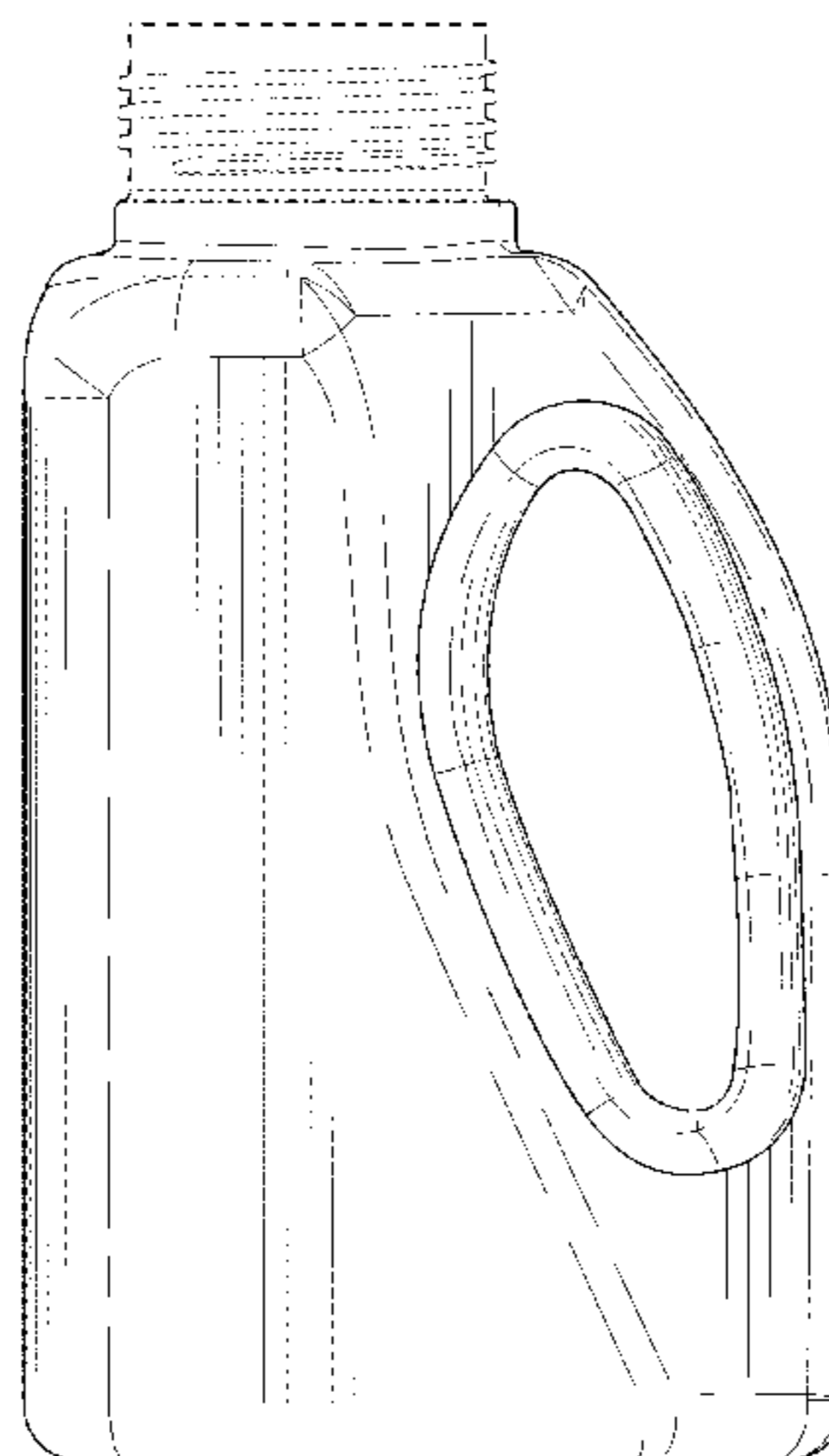
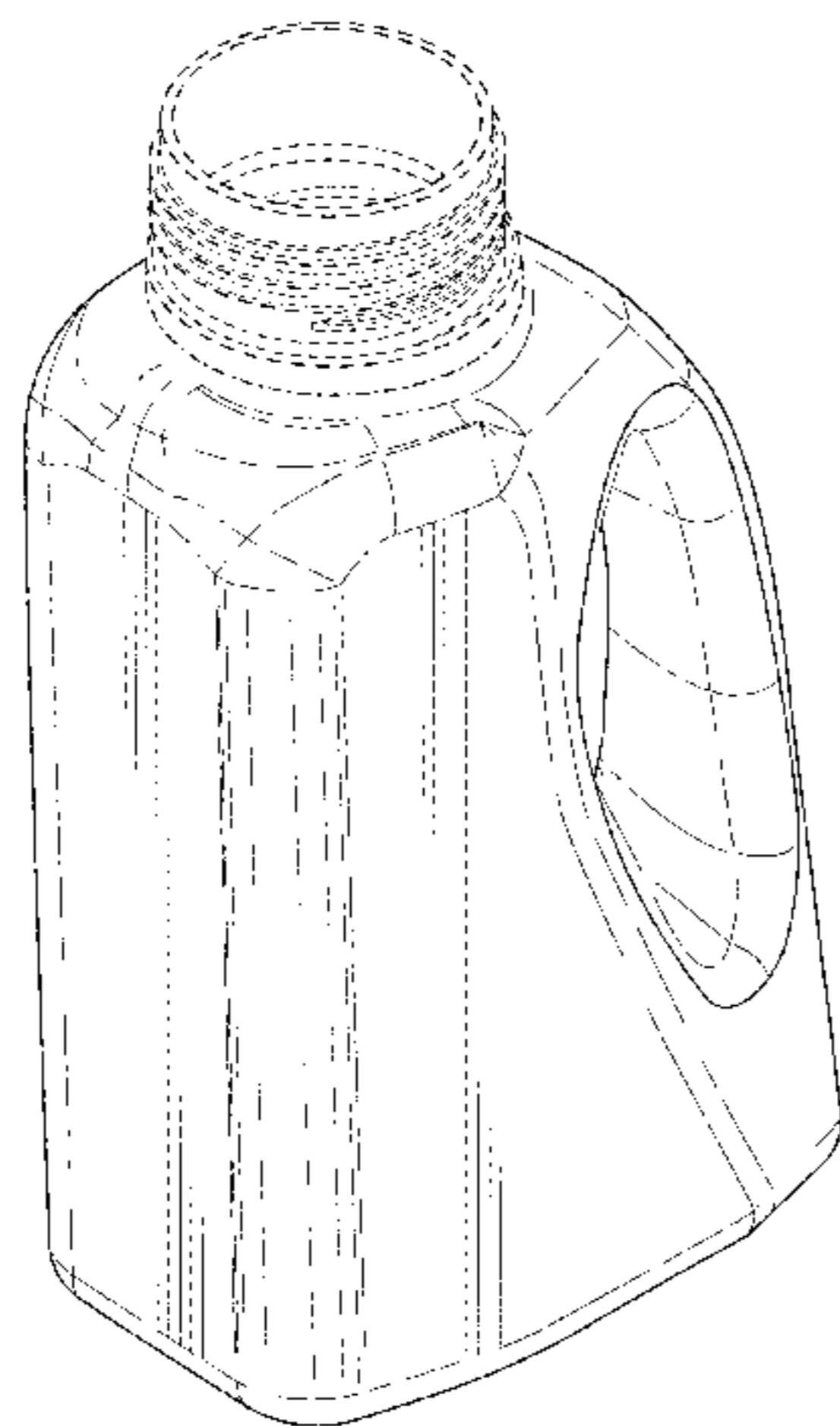
FIG. 12 is a right side view of the container of FIG. 8.

FIG. 13 is a top view of the container of FIG. 8; and,

FIG. 14 is a bottom view of the container of FIG. 8.

The uneven length broken lines represent the bounds of the claimed design while all other broken lines are included for the purpose of illustrating portions of the container. The broken lines form no part of the claimed design.

**1 Claim, 14 Drawing Sheets**



(56)

References Cited

U.S. PATENT DOCUMENTS

3,148,801 A 9/1964 Radeloff et al.  
 3,163,335 A 12/1964 Chappell  
 3,402,860 A 9/1968 Torongo, Jr.  
 3,419,187 A 12/1968 Barzanic  
 3,844,454 A 10/1974 Buchtel  
 4,079,859 A 3/1978 Jennings  
 4,141,472 A 2/1979 Spitzer et al.  
 4,314,657 A 2/1982 Perakis et al.  
 4,449,651 A 5/1984 Roder et al.  
 4,576,593 A 3/1986 Mommer  
 4,807,785 A 2/1989 Pritchett  
 4,811,871 A 3/1989 Wass et al.  
 4,830,226 A 5/1989 Kong  
 D302,247 S \* 7/1989 Beechuk et al. .... D9/528  
 D302,524 S \* 8/1989 Best et al. .... D9/528  
 D302,946 S \* 8/1989 Cramer ..... D9/528  
 4,886,193 A 12/1989 Wassilieff  
 4,946,080 A 8/1990 Vesborg  
 4,971,226 A 11/1990 Donoghue  
 5,078,305 A 1/1992 Glynn et al.  
 5,148,953 A 9/1992 Fudalla  
 5,251,792 A 10/1993 Sheen  
 5,253,788 A 10/1993 Vandromme et al.  
 5,323,938 A 6/1994 Ceccarelli et al.  
 5,381,930 A 1/1995 Kalabakas  
 5,584,420 A 12/1996 Awada et al.  
 5,833,124 A 11/1998 Groves et al.  
 5,881,716 A 3/1999 Wirch et al.  
 5,988,434 A 11/1999 Keil et al.  
 6,068,165 A 5/2000 Minihane et al.  
 6,216,919 B1 4/2001 Ae' et al.  
 6,276,572 B1 8/2001 Evans  
 D448,671 S \* 10/2001 Gans et al. .... D9/527  
 6,357,627 B1 3/2002 Pasbrig et al.

6,357,630 B1 3/2002 Weiland  
 6,675,845 B2 1/2004 Volpenheim et al.  
 6,796,343 B2 9/2004 Kelsey et al.  
 D529,809 S \* 10/2006 Yourist et al. .... D9/528  
 D573,885 S \* 7/2008 Considine et al. .... D9/528  
 7,472,810 B2 1/2009 Amir  
 7,516,738 B2 4/2009 Scarrott et al.  
 7,621,273 B2 11/2009 Morton et al.  
 7,757,688 B2 7/2010 Scarrott et al.  
 8,028,865 B2 10/2011 De Jonge  
 D652,304 S \* 1/2012 Heath et al. .... D9/523  
 8,122,849 B2 2/2012 Clarke et al.  
 2004/0011830 A1 1/2004 Kim  
 2006/0091163 A1 5/2006 Peng et al.  
 2006/0255074 A1 11/2006 Amir  
 2007/0210119 A1 9/2007 Alsberg  
 2007/0221683 A1 9/2007 Hohmann et al.  
 2009/0302063 A1 12/2009 Maas et al.  
 2010/0147903 A1 6/2010 Farside  
 2011/0163132 A1 7/2011 Moreau  
 2012/0024886 A1 2/2012 Aviram  
 2012/0097712 A1 4/2012 Esteve et al.  
 2012/0097714 A1 4/2012 Hoefte et al.

FOREIGN PATENT DOCUMENTS

JP 8026319 1/1996  
 JP 2012012085 1/2012  
 NL 1038405 5/2012  
 WO 9116238 10/1991  
 WO 03025520 3/2003

OTHER PUBLICATIONS

Co-pending Design U.S. Appl. No. 29/472,842, filed Nov. 15, 2013.

\* cited by examiner

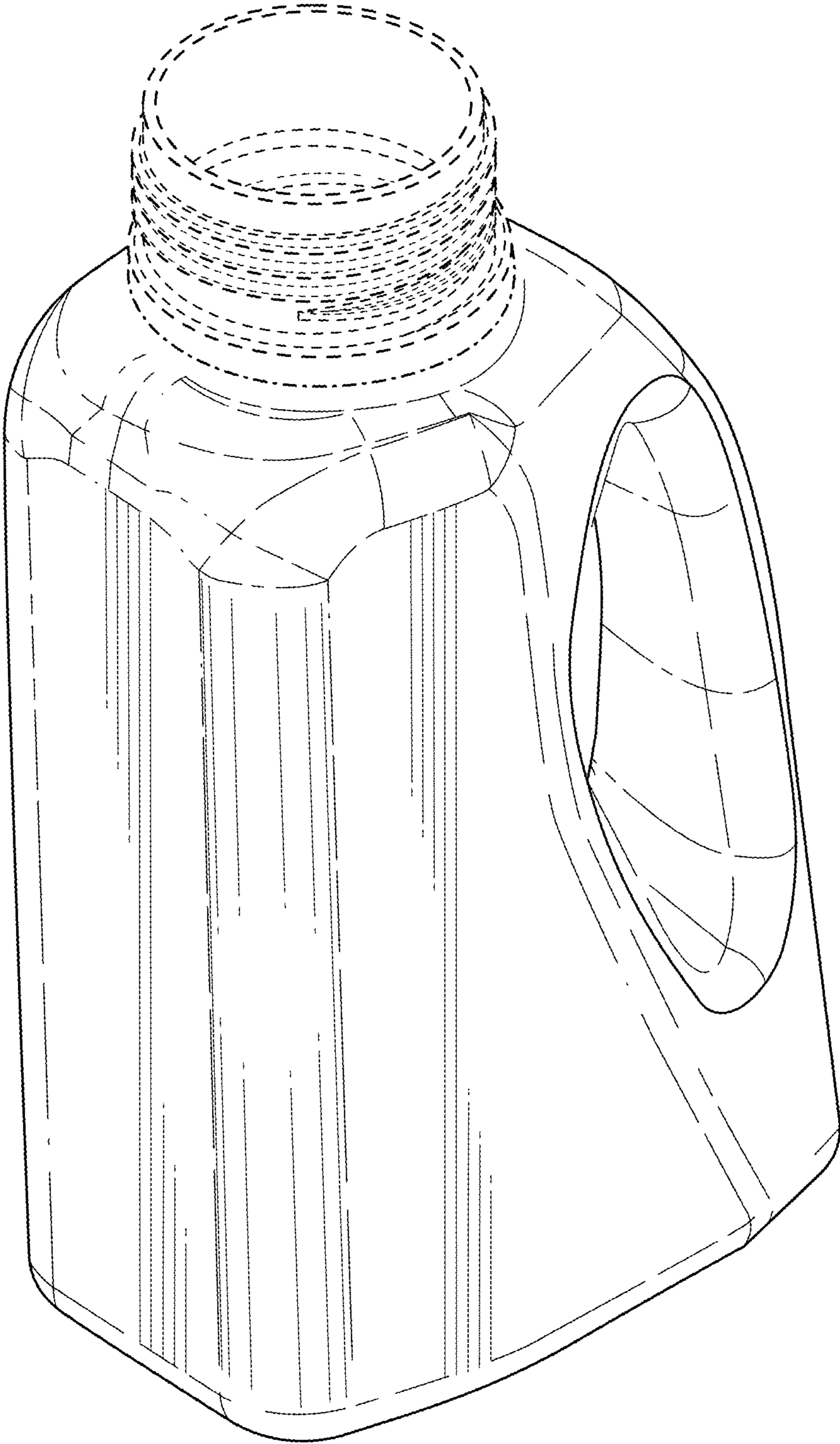


FIG. 1

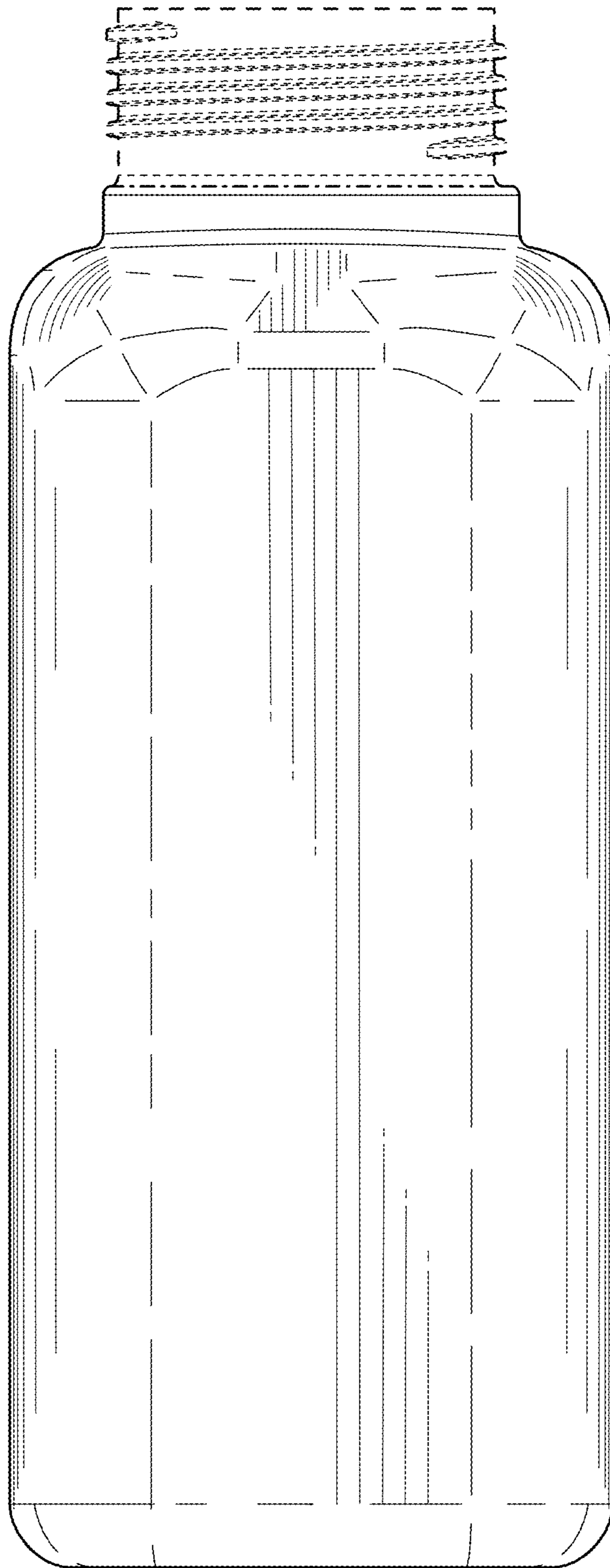


FIG. 2

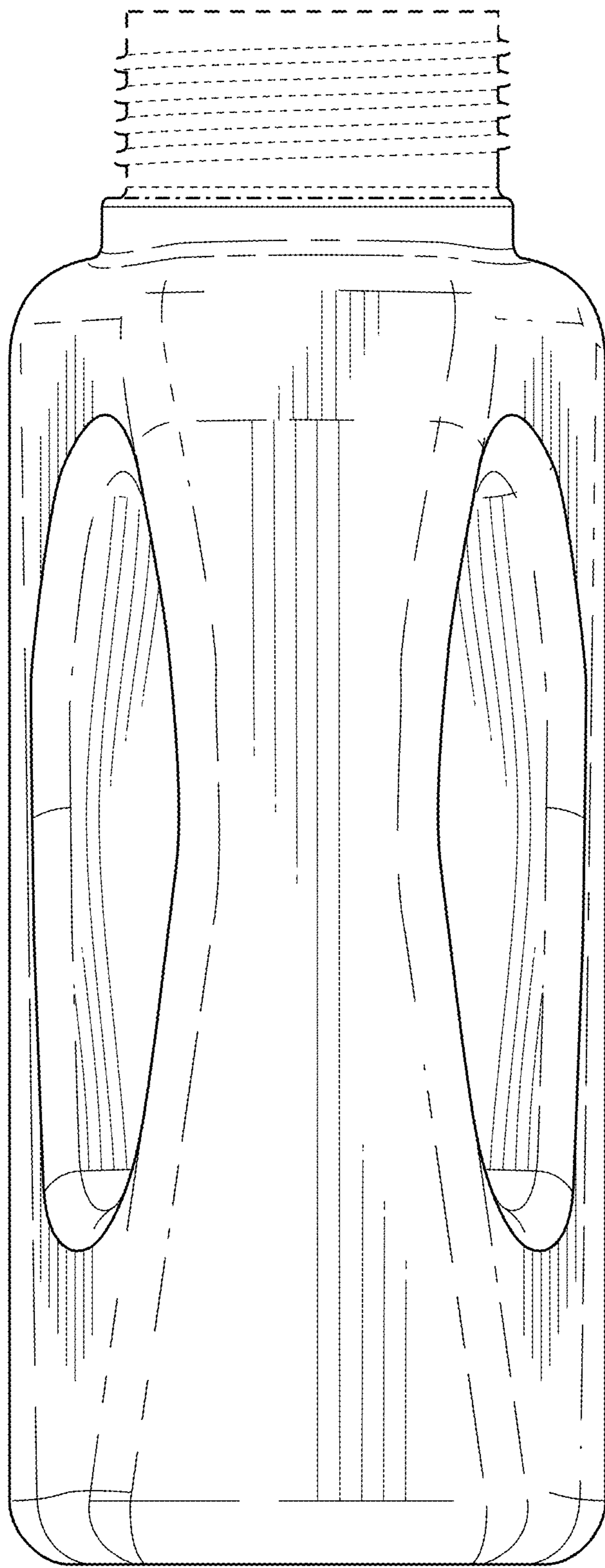


FIG. 3

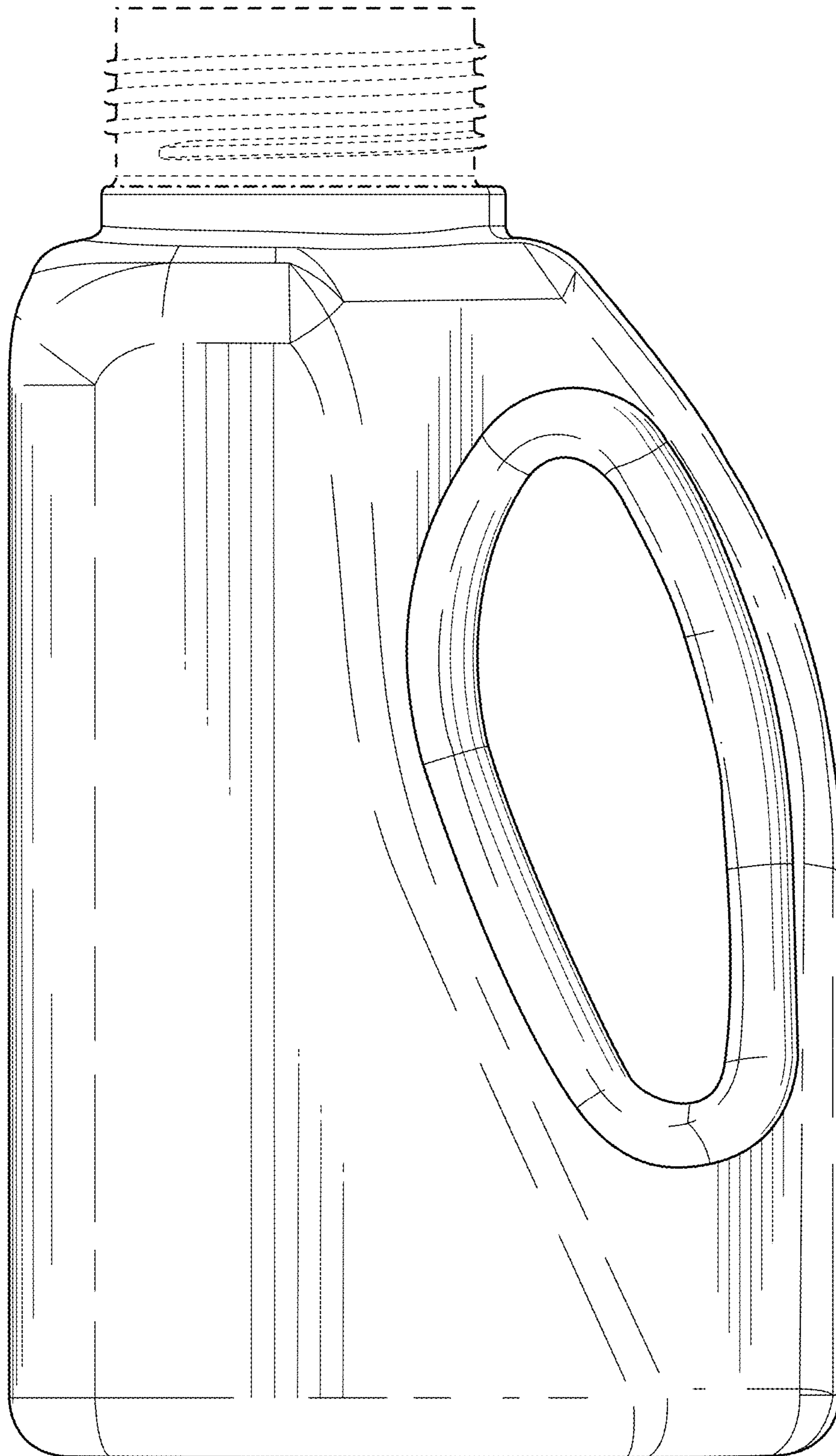


FIG. 4

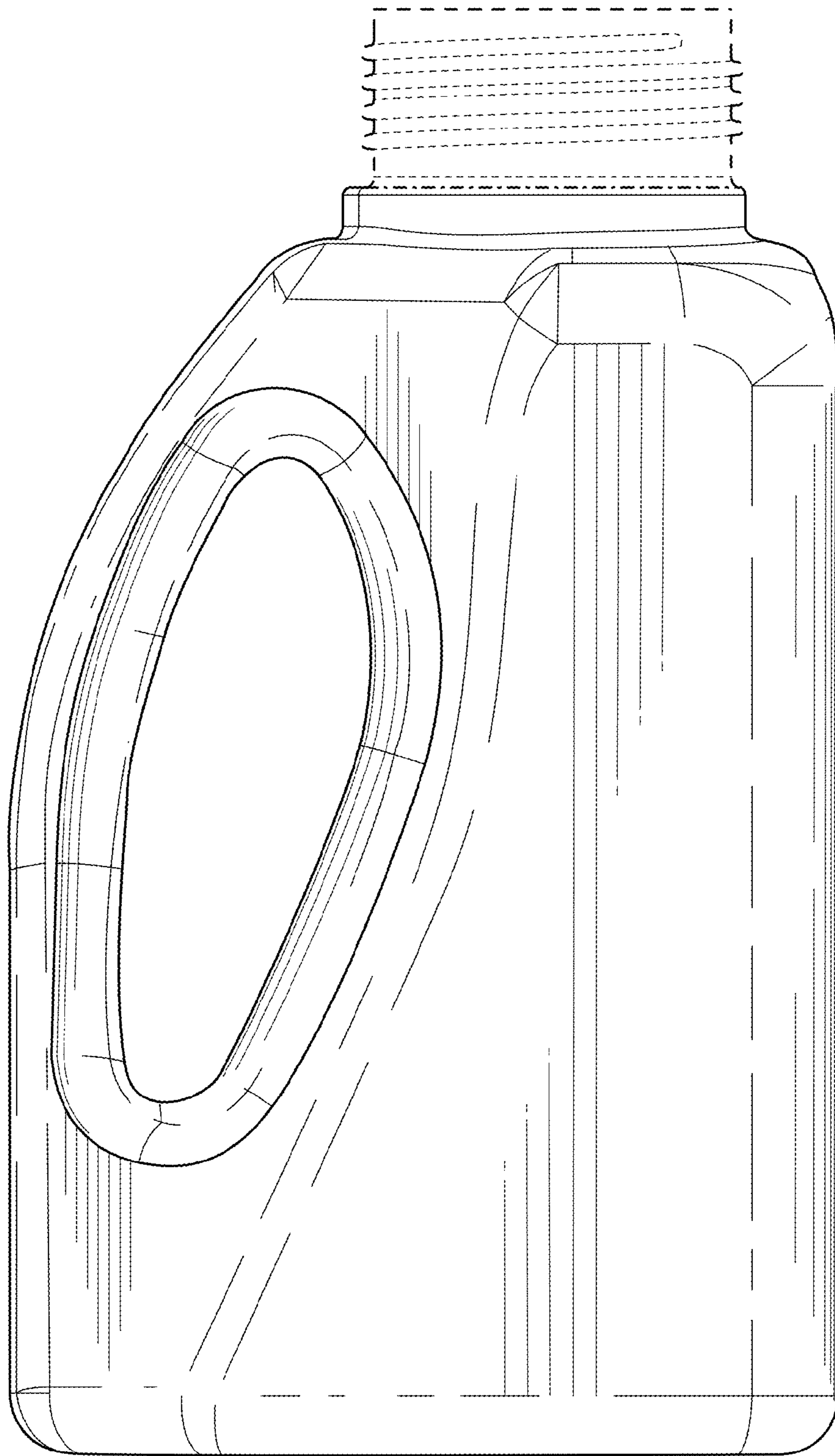


FIG. 5

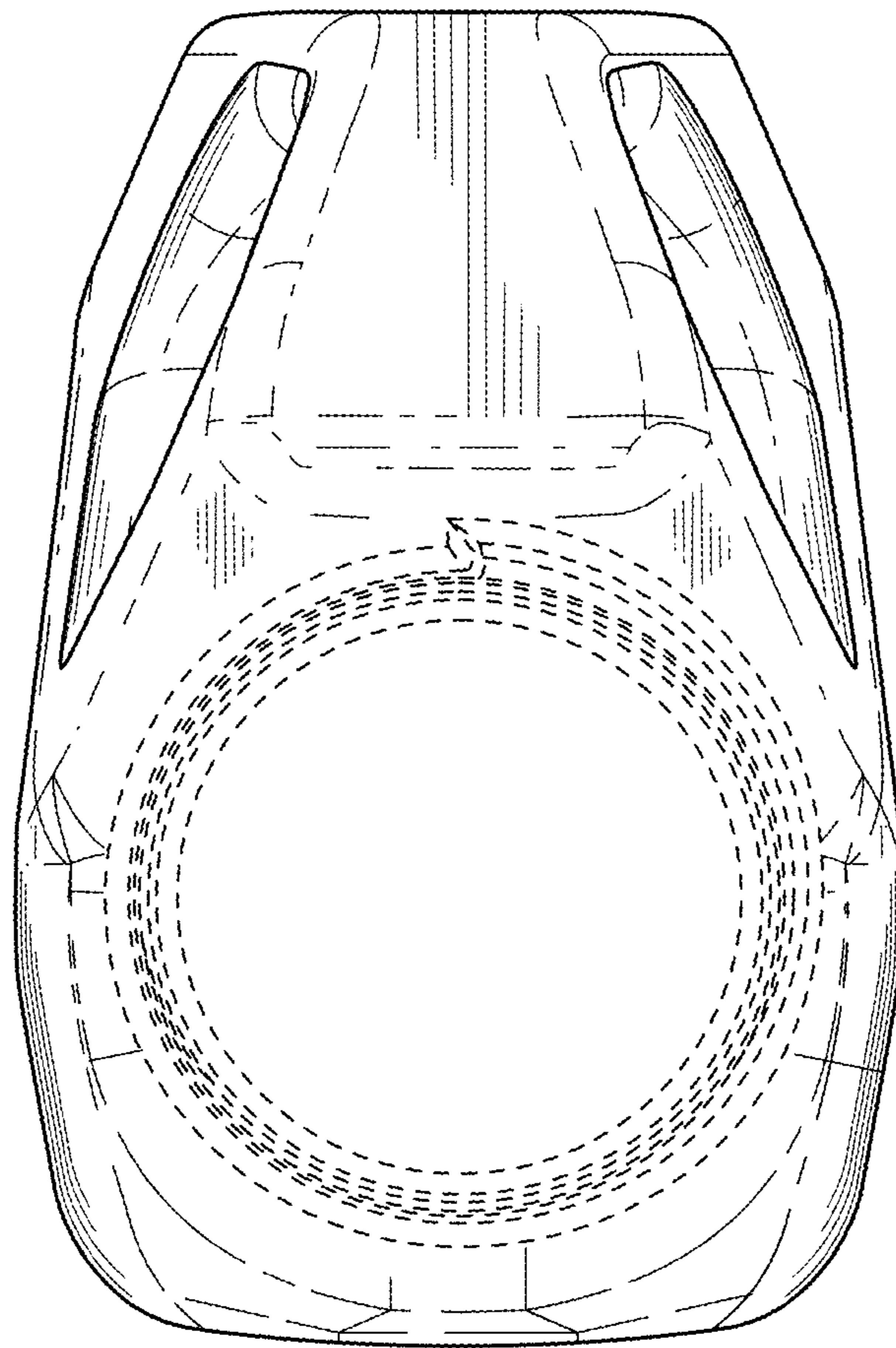


FIG. 6



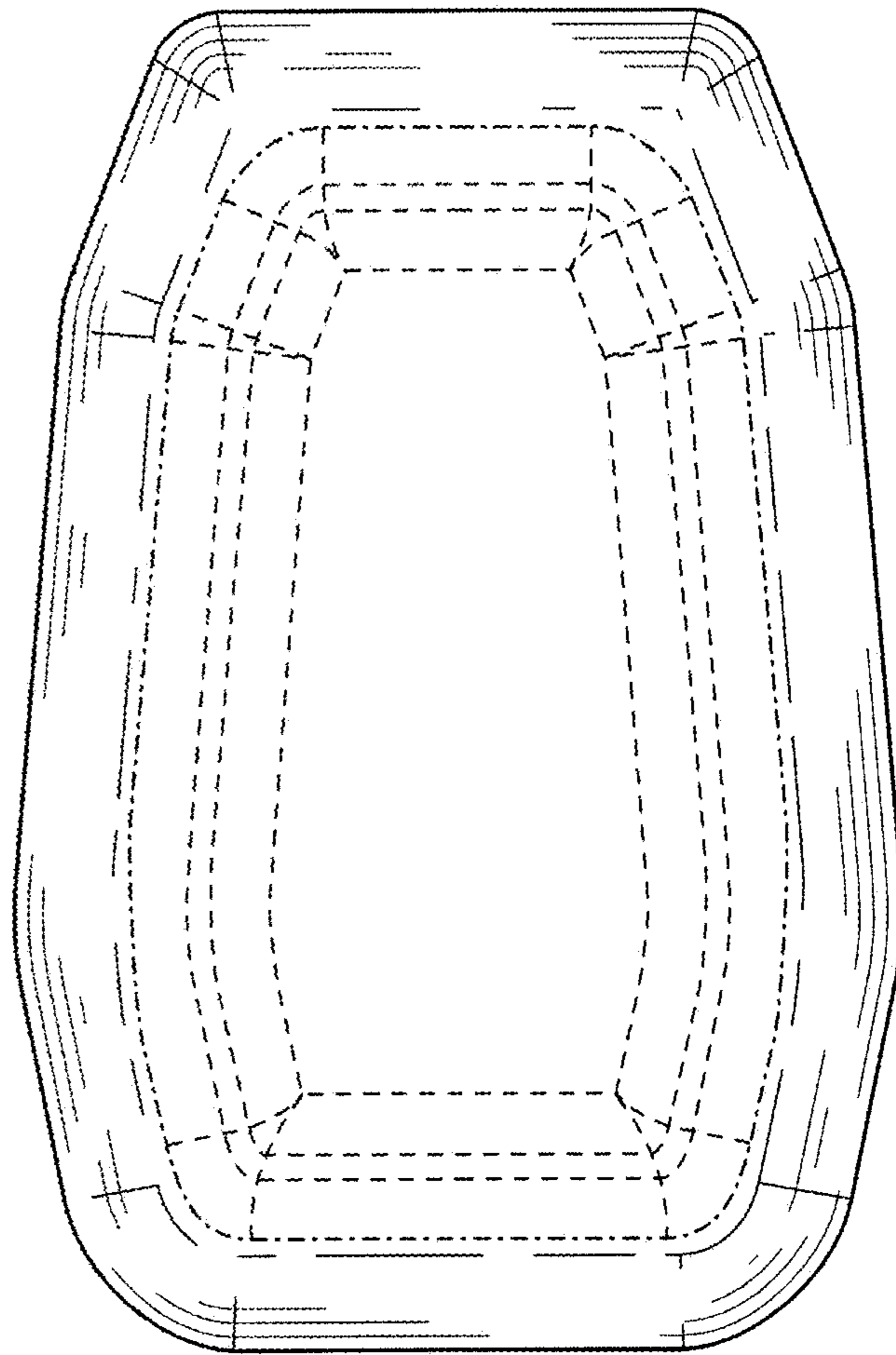


FIG. 7

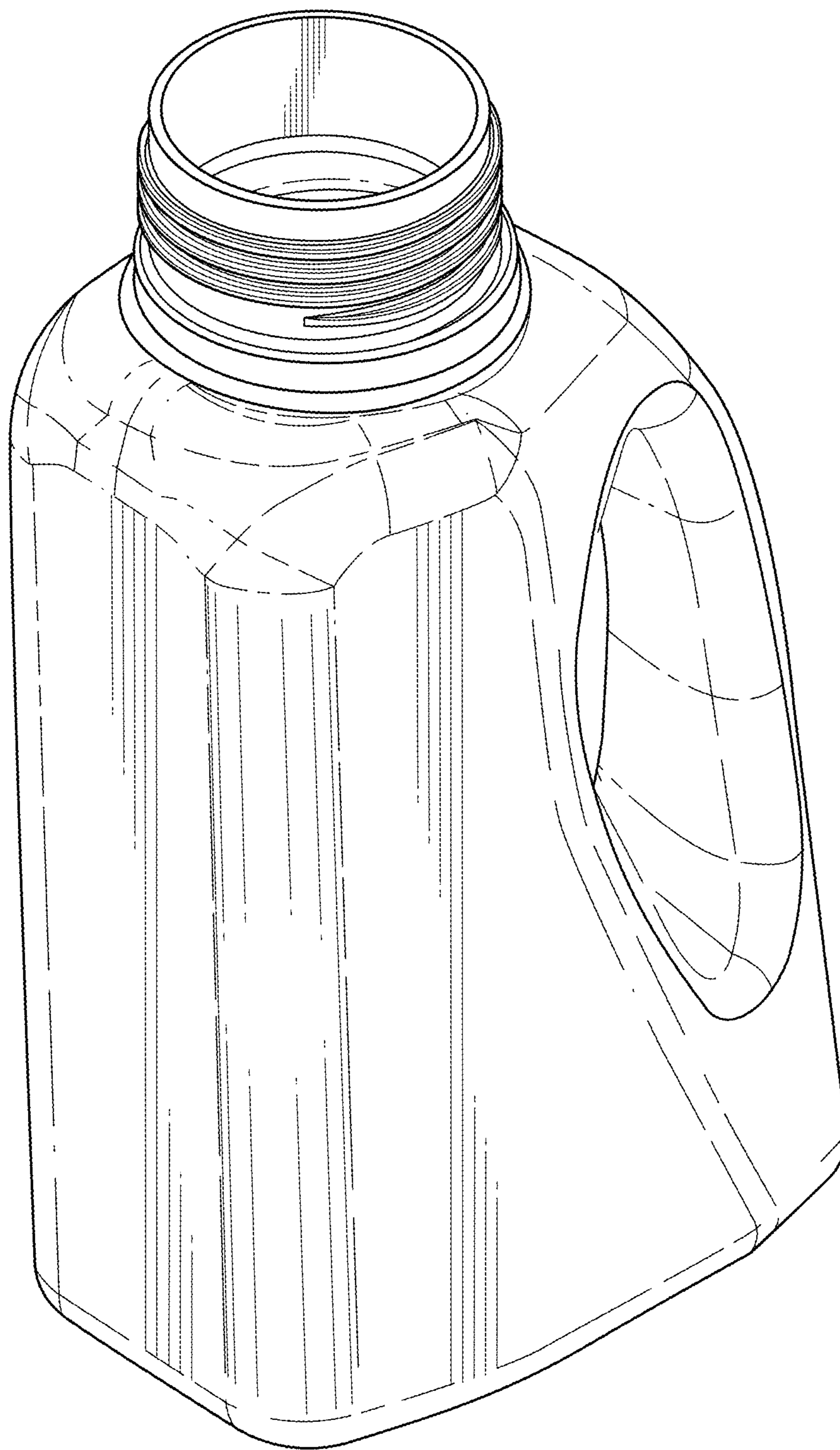


FIG. 8

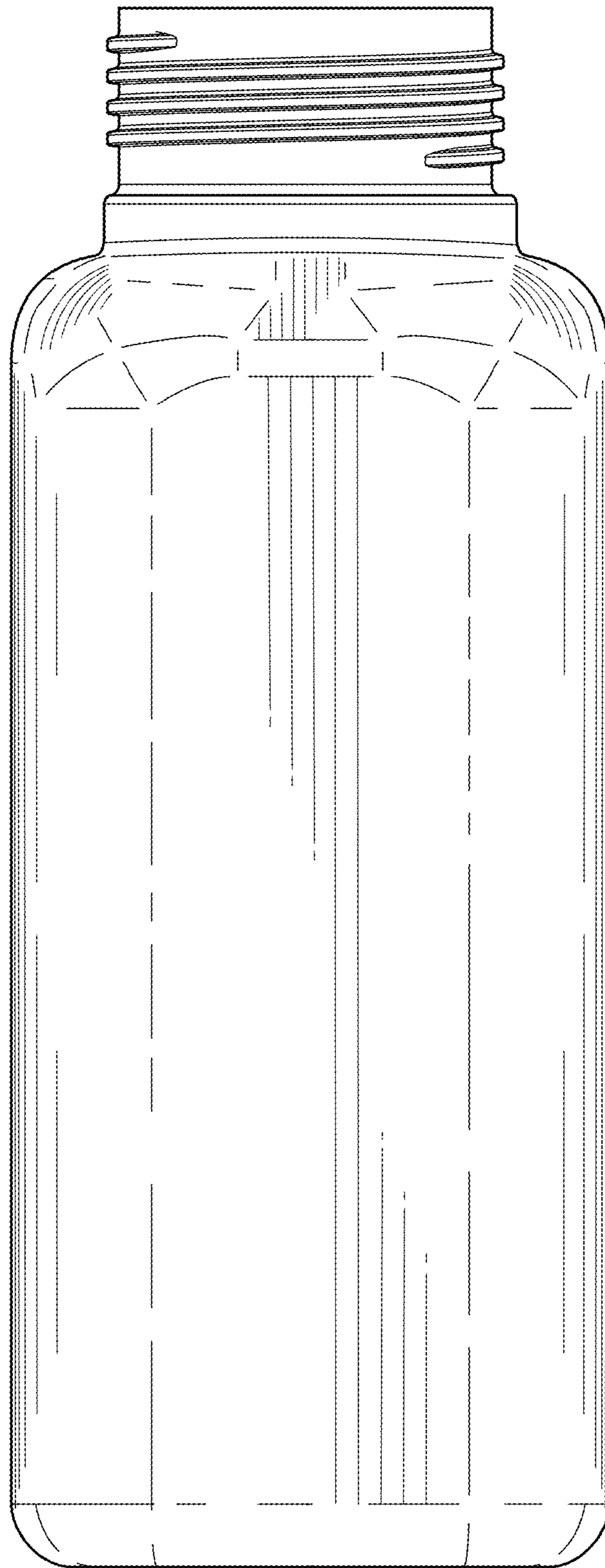


FIG. 9

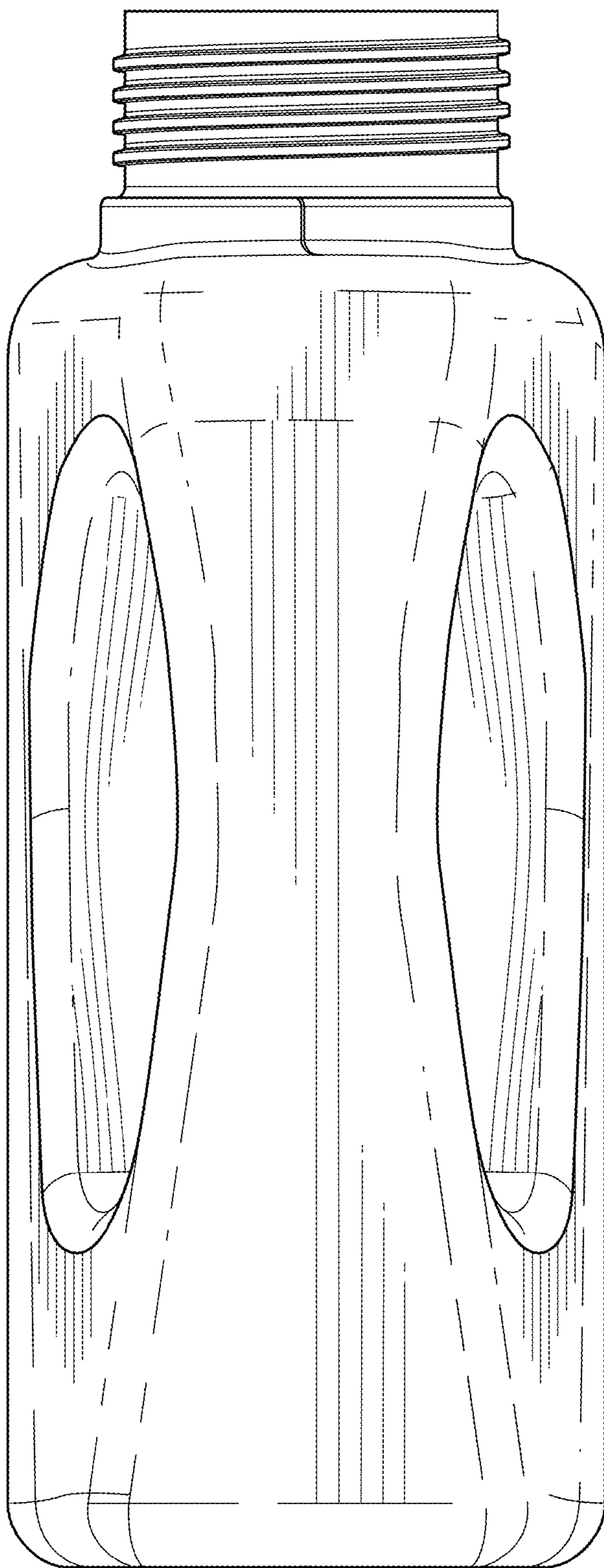


FIG. 10

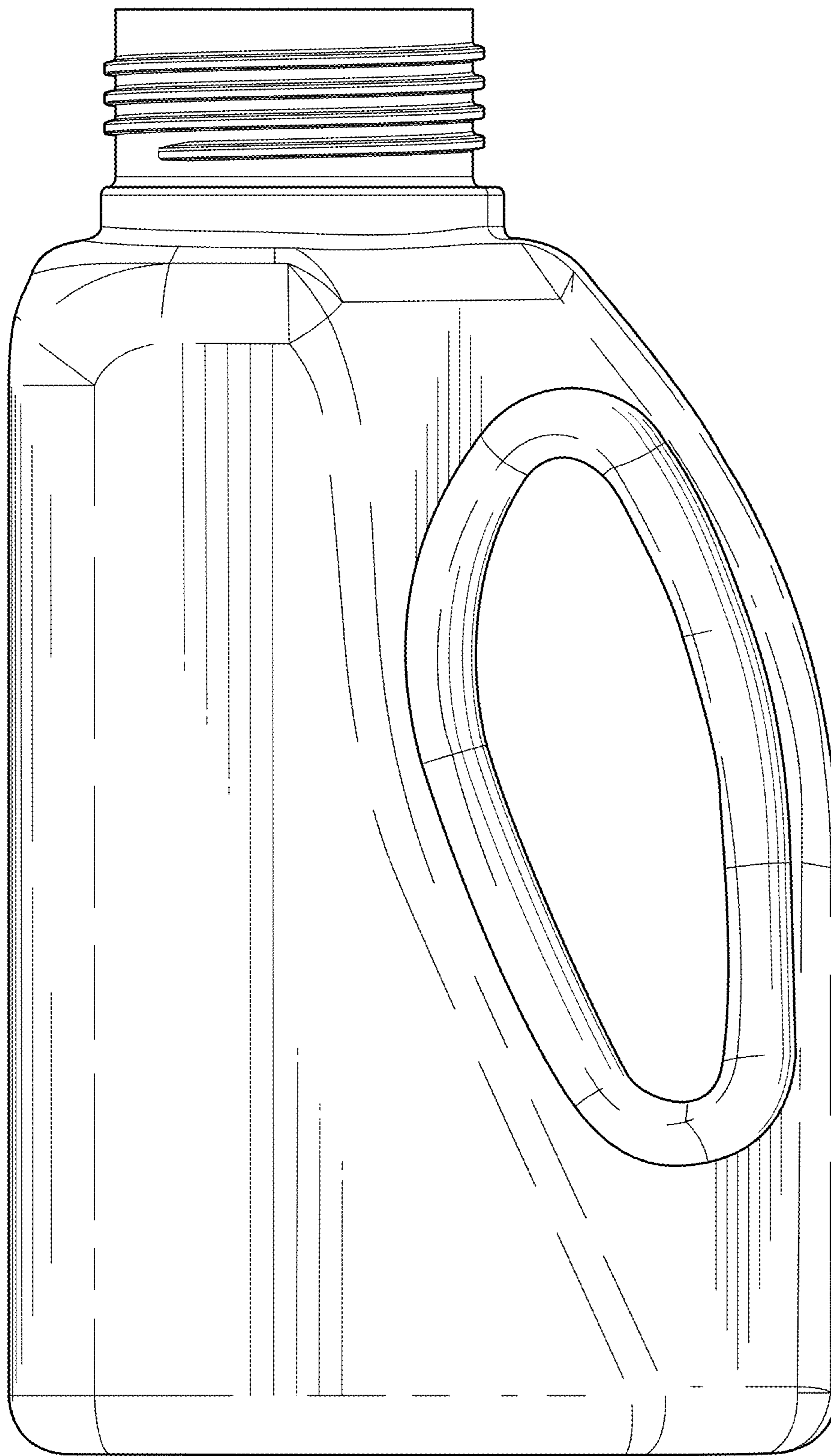


FIG. 11

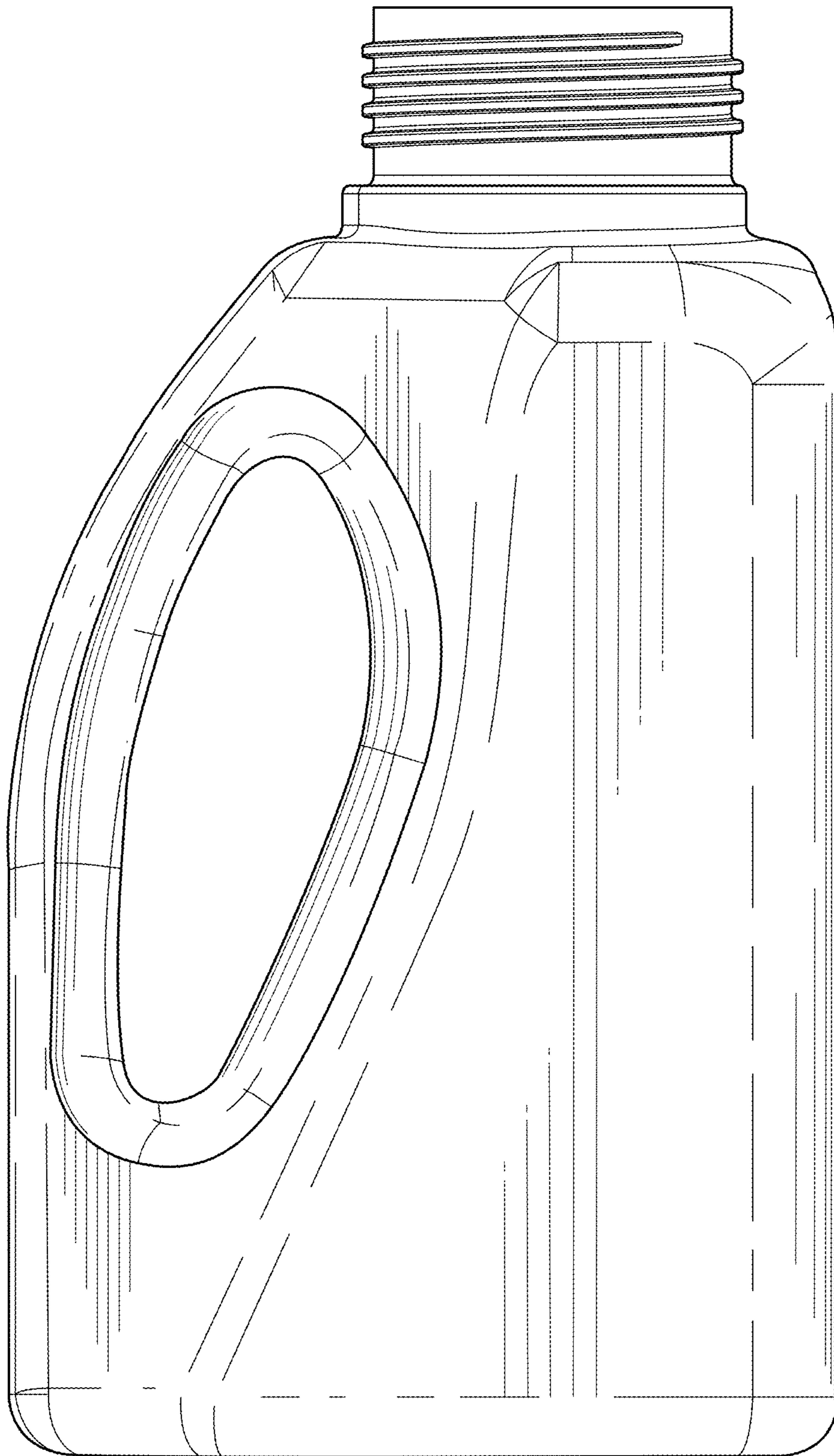


FIG. 12

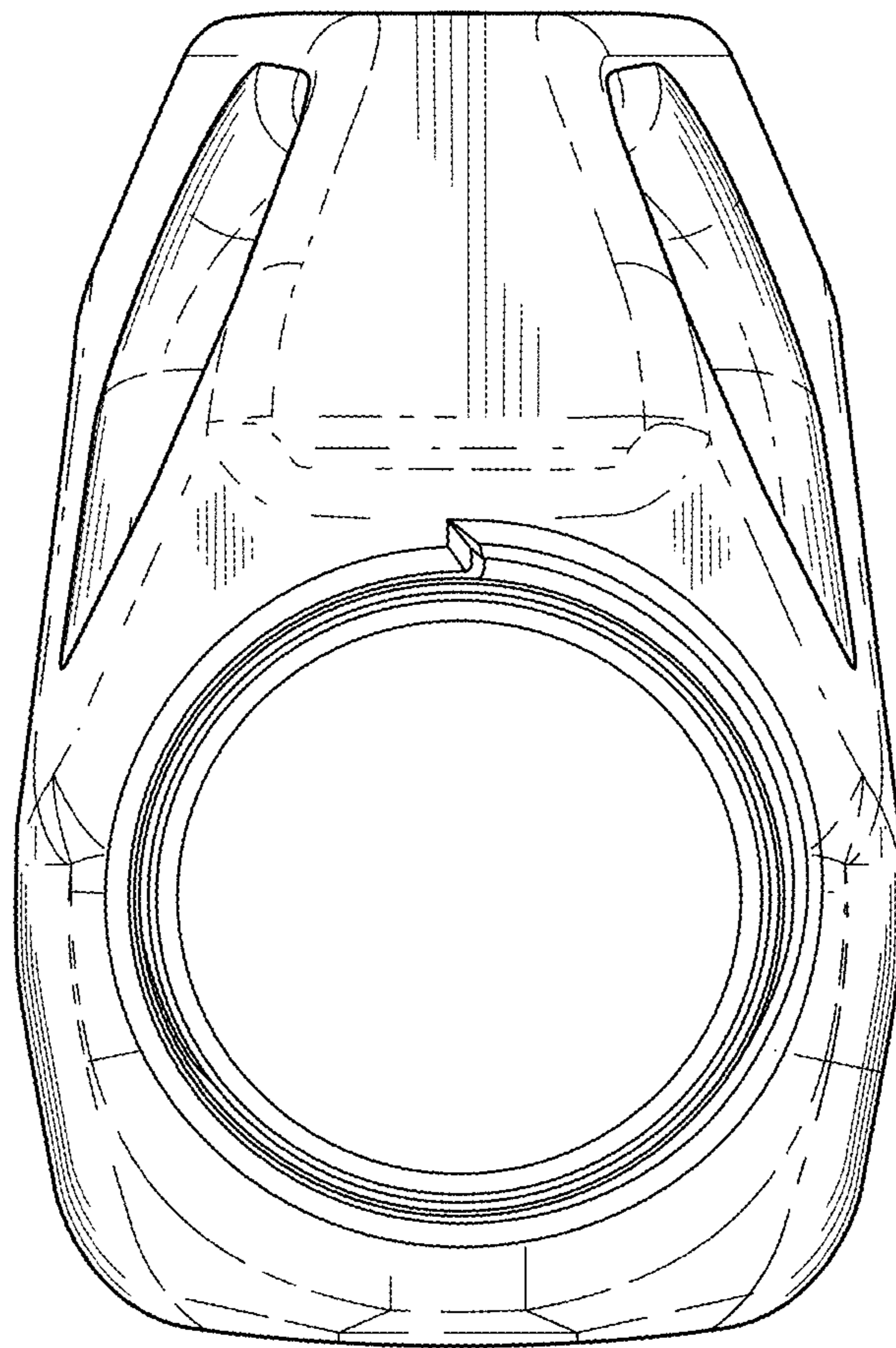


FIG. 13

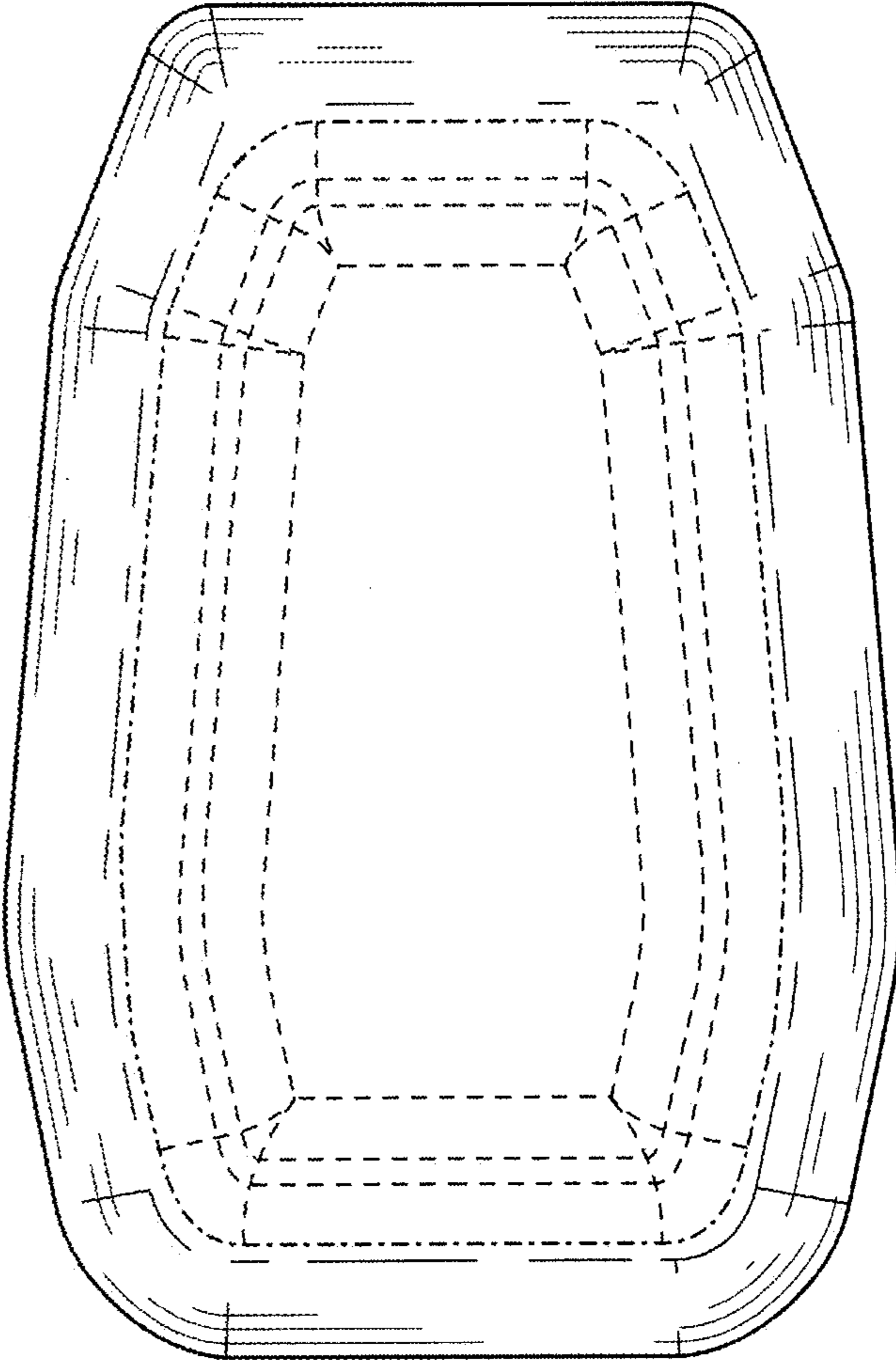


FIG. 14