



US00D723927S

(12) **United States Design Patent**
Fish et al.

(10) **Patent No.:** **US D723,927 S**
(45) **Date of Patent:** **** Mar. 10, 2015**

(54) **CONTAINER**

(71) Applicant: **The Sun Products Corporation,**
Wilton, CT (US)

(72) Inventors: **Rob Fish,** Worcester, MA (US); **Wan-Yu Lin,** Tainan (TW)

(73) Assignee: **The Sun Products Corporation,**
Wilton, CT (US)

(**) Term: **14 Years**

(21) Appl. No.: **29/466,508**

(22) Filed: **Sep. 9, 2013**

(51) **LOC (10) Cl.** **09-01**

(52) **U.S. Cl.**
USPC **D9/528**

(58) **Field of Classification Search**
CPC B65D 1/023; B65D 1/0223; B65D 1/165;
B65D 1/40; B65D 1/44; B65D 7/04; B65D
25/00; B65D 25/28; B65D 41/0457; B65D
41/17; B65D 53/06; B65D 75/56; B65D
79/005; B65D 2501/0036; B65D 2543/00064;
B65D 2543/00074; B65D 2543/00083; B65D
2543/00092; B65D 2543/00101; B65D
2543/00111
USPC D9/434, 435, 439, 452-454, 516, 522,
D9/523, 528-531, 540, 543-546, 552, 565,
D9/575; 215/381-385; 220/660, 669, 679,
220/752

See application file for complete search history.

(56) **References Cited**

U.S. PATENT DOCUMENTS

D157,254 S	*	2/1950	Gruber	D9/439
D209,104 S	*	10/1967	Harris et al.	D9/453
D238,753 S		2/1976	McKinney		
D240,716 S	*	7/1976	Hegl	D9/440
D253,630 S		12/1979	McCredie		
D323,110 S		1/1992	Simms et al.		

D323,456 S	*	1/1992	Gonda	D9/527
D358,098 S	*	5/1995	Carre et al.	D9/529
D368,033 S	*	3/1996	Gladstone	D9/439
D372,429 S	*	8/1996	Slezak et al.	D9/528
5,725,309 A		3/1998	Robinson		
D412,850 S	*	8/1999	Gale	D9/545
D442,090 S	*	5/2001	Jackson et al.	D9/453
D449,784 S	*	10/2001	Crawford et al.	D9/453
D462,011 S	*	8/2002	Walther et al.	D9/528
D465,699 S	*	11/2002	Stiles	D7/387
D469,017 S		1/2003	Mauro		
D470,055 S		2/2003	Blair et al.		
D470,416 S		2/2003	Blair et al.		
D475,627 S	*	6/2003	Calello et al.	D9/528
D485,185 S		1/2004	Versace		
D486,066 S		2/2004	Hannen et al.		
D538,666 S		3/2007	Ladstatter		
D542,140 S		5/2007	Garcia-Ruiz		
D543,861 S		6/2007	Garcia-Ruiz		
D576,045 S	*	9/2008	LeVasseur et al.	D9/531

(Continued)

Primary Examiner — Keli L Hill

(74) *Attorney, Agent, or Firm* — Sterne, Kessler, Goldstein & Fox P.L.L.C.

(57) **CLAIM**

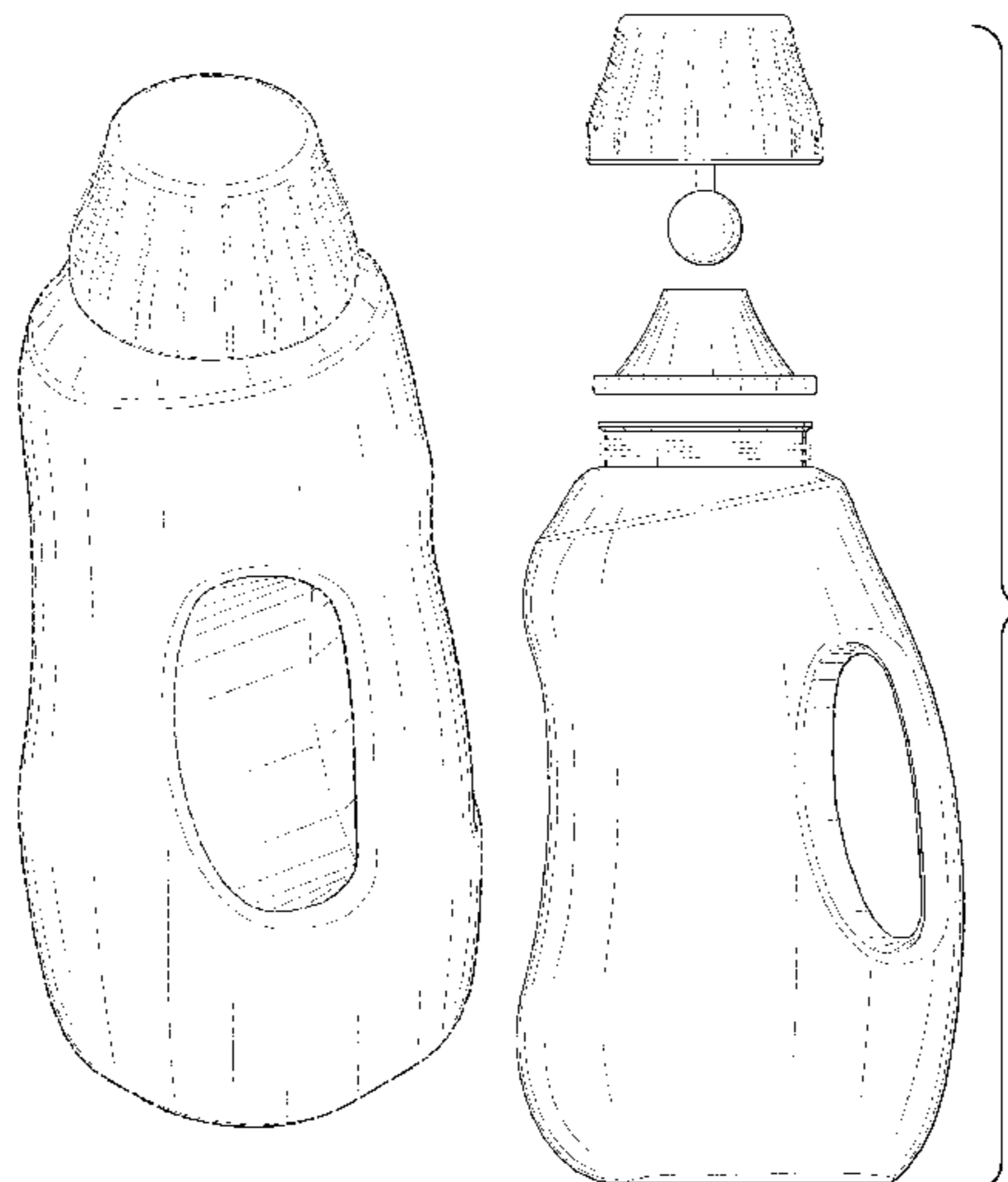
The ornamental design for a container, as shown and described.

DESCRIPTION

FIG. 1 is a front perspective view of a container showing our new design;
FIG. 2 is a front view thereof;
FIG. 3 is a rear view thereof;
FIG. 4 is a left side view thereof;
FIG. 5 is a right side view thereof;
FIG. 6 is a top view thereof;
FIG. 7 is a bottom view thereof;
FIG. 8 is an exploded view of the container; and,
FIG. 9 is a cut-away view of the container taken along line IX-IX of FIG. 6.

The broken lines in the Figures show portions of the container that form no part of the claimed design.

1 Claim, 8 Drawing Sheets



(56)

References Cited

U.S. PATENT DOCUMENTS

D576,046 S 9/2008 Cardinal et al.
D578,006 S 10/2008 Houck et al.
D590,269 S * 4/2009 Pavone D9/572
D595,537 S * 7/2009 Mansfield et al. D7/396.1

D596,947 S * 7/2009 Mengeu et al. D9/543
D599,211 S 9/2009 Franzolin et al.
D656,030 S * 3/2012 Lee et al. D9/531
D677,165 S * 3/2013 Kersten D9/528
D682,699 S 5/2013 Ahlman et al.
D687,305 S * 8/2013 Juna D9/528
D694,635 S * 12/2013 Corbett et al. D9/531

* cited by examiner

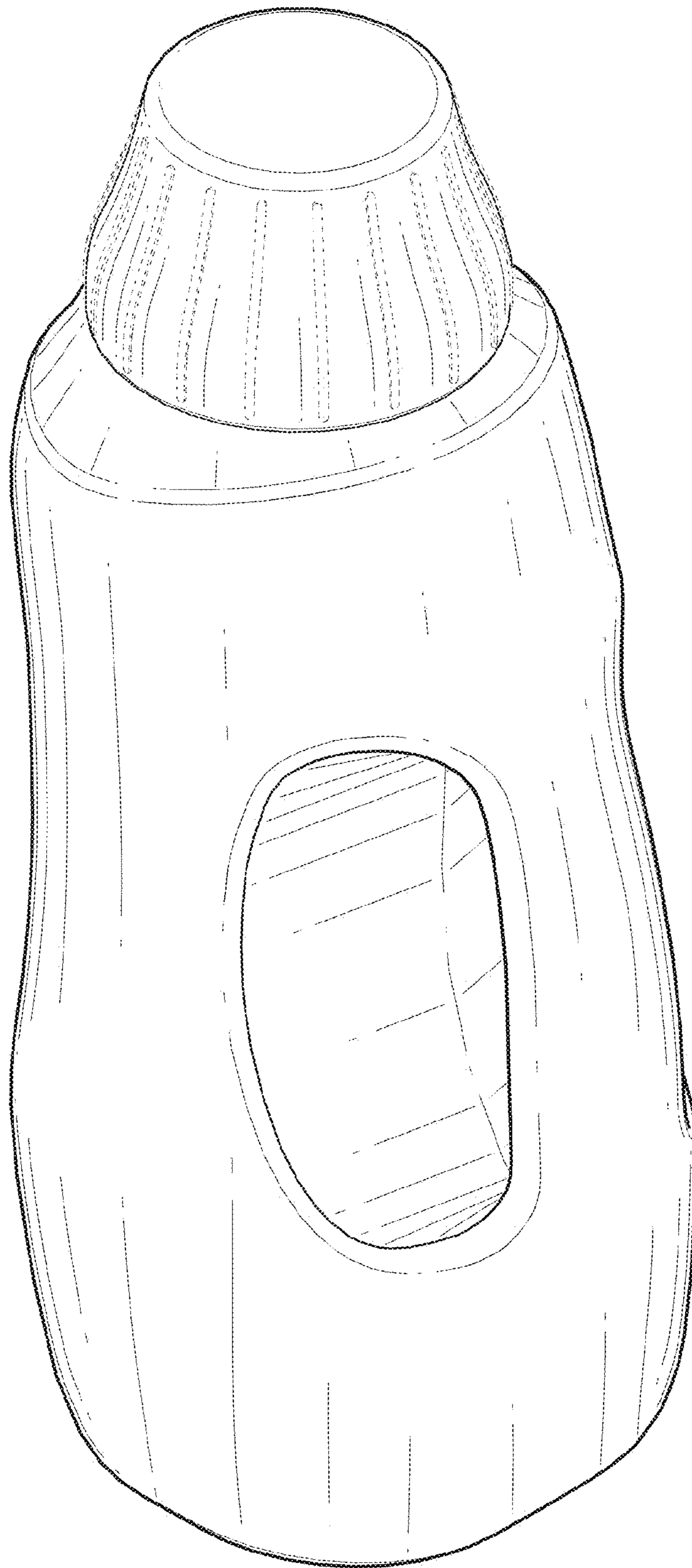


FIG. 1

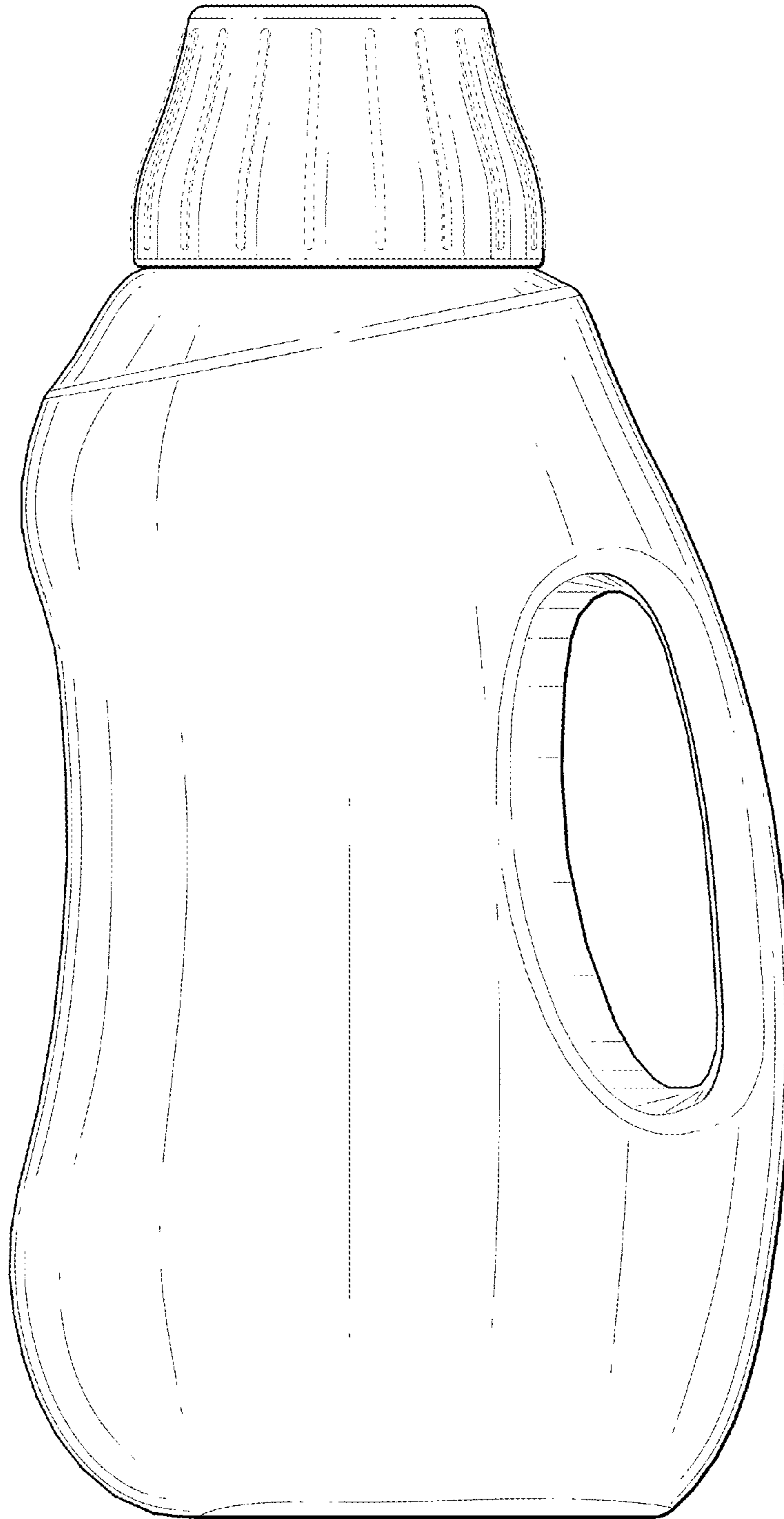


FIG. 2

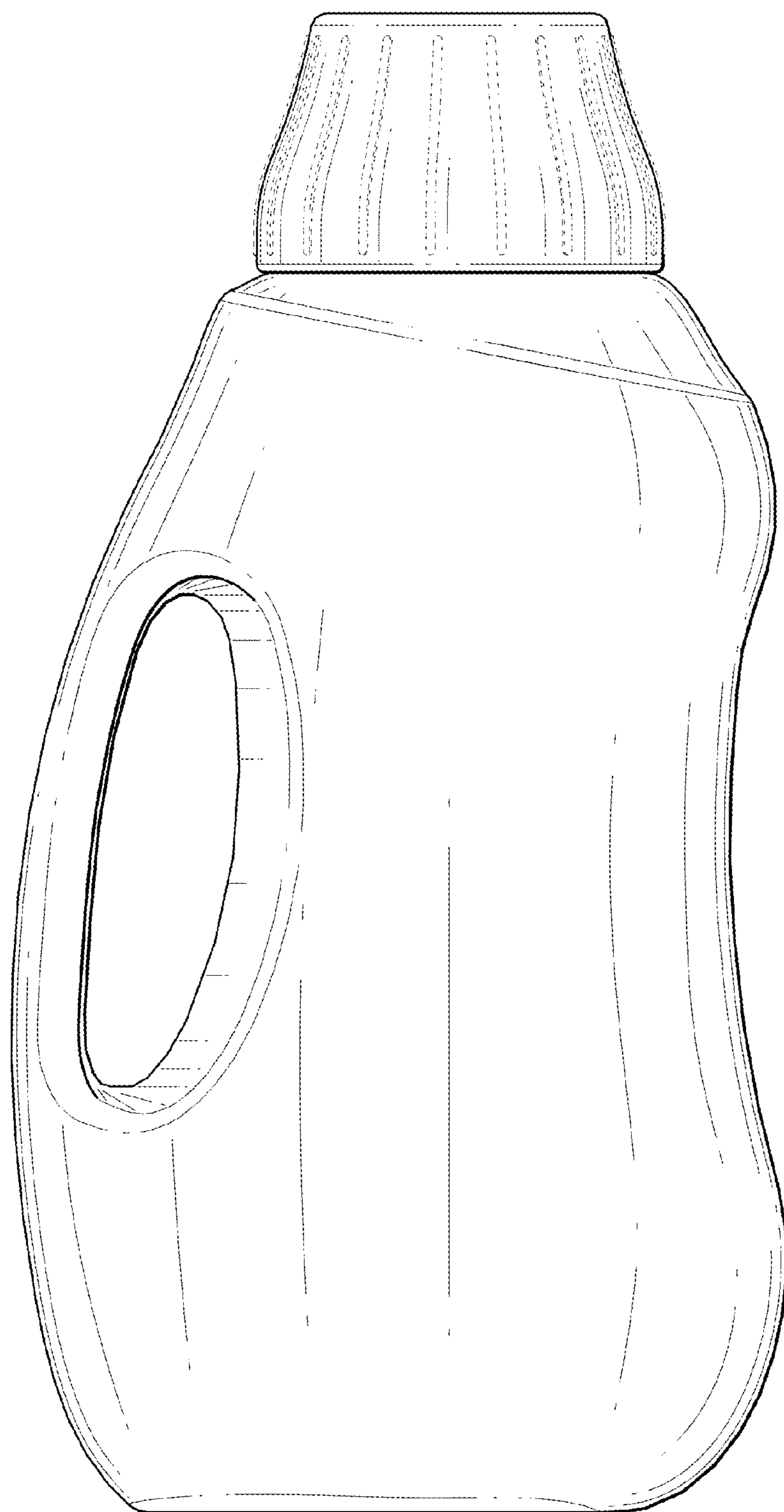


FIG. 3

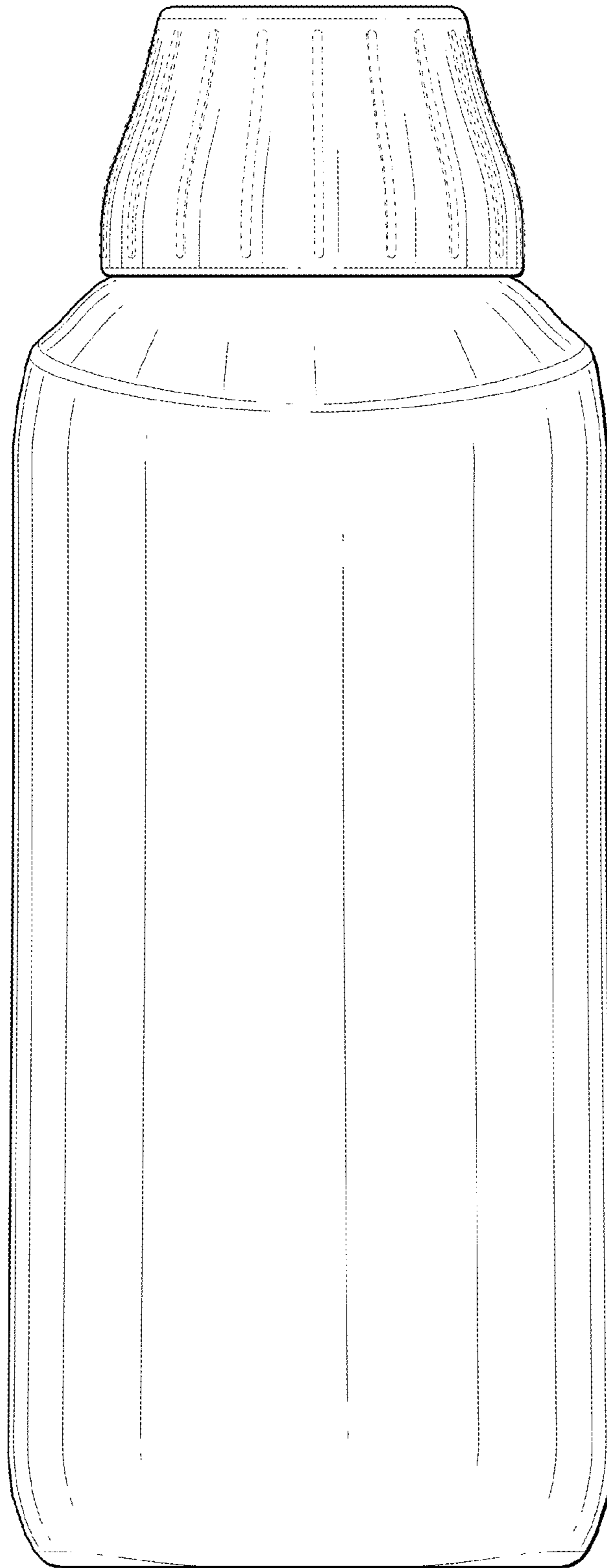


FIG. 4

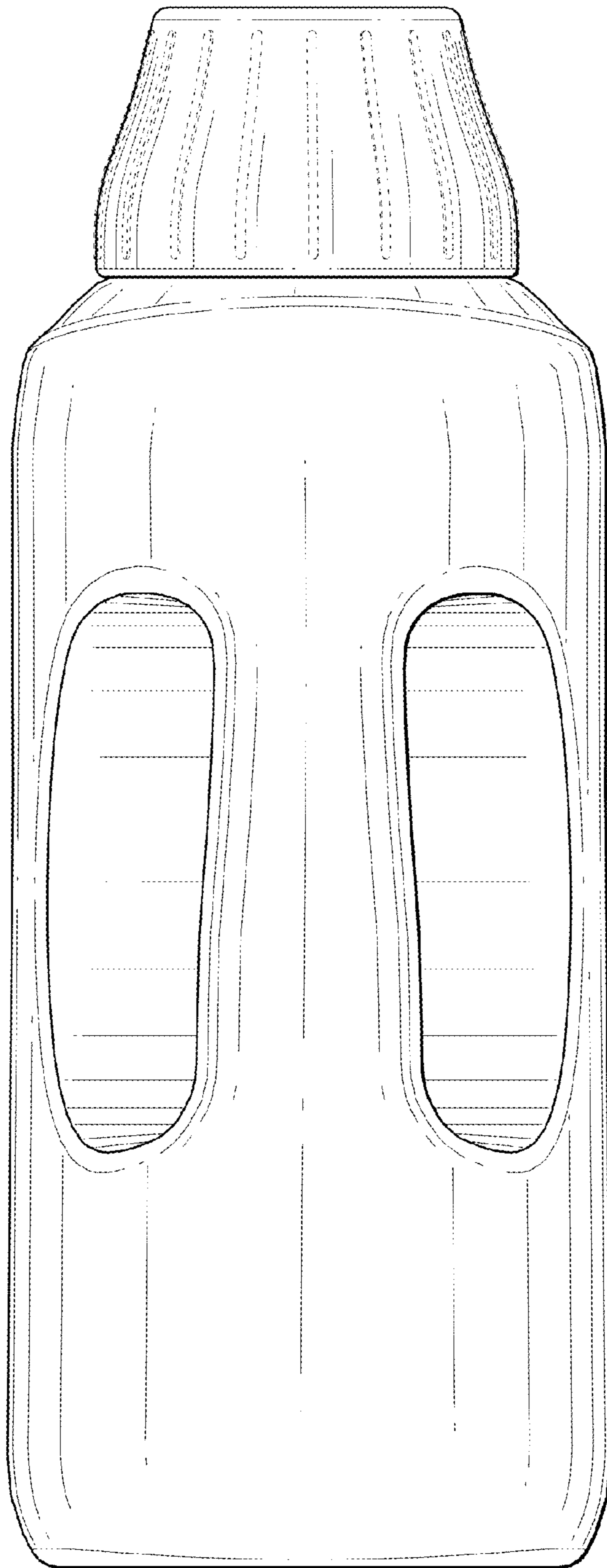


FIG. 5

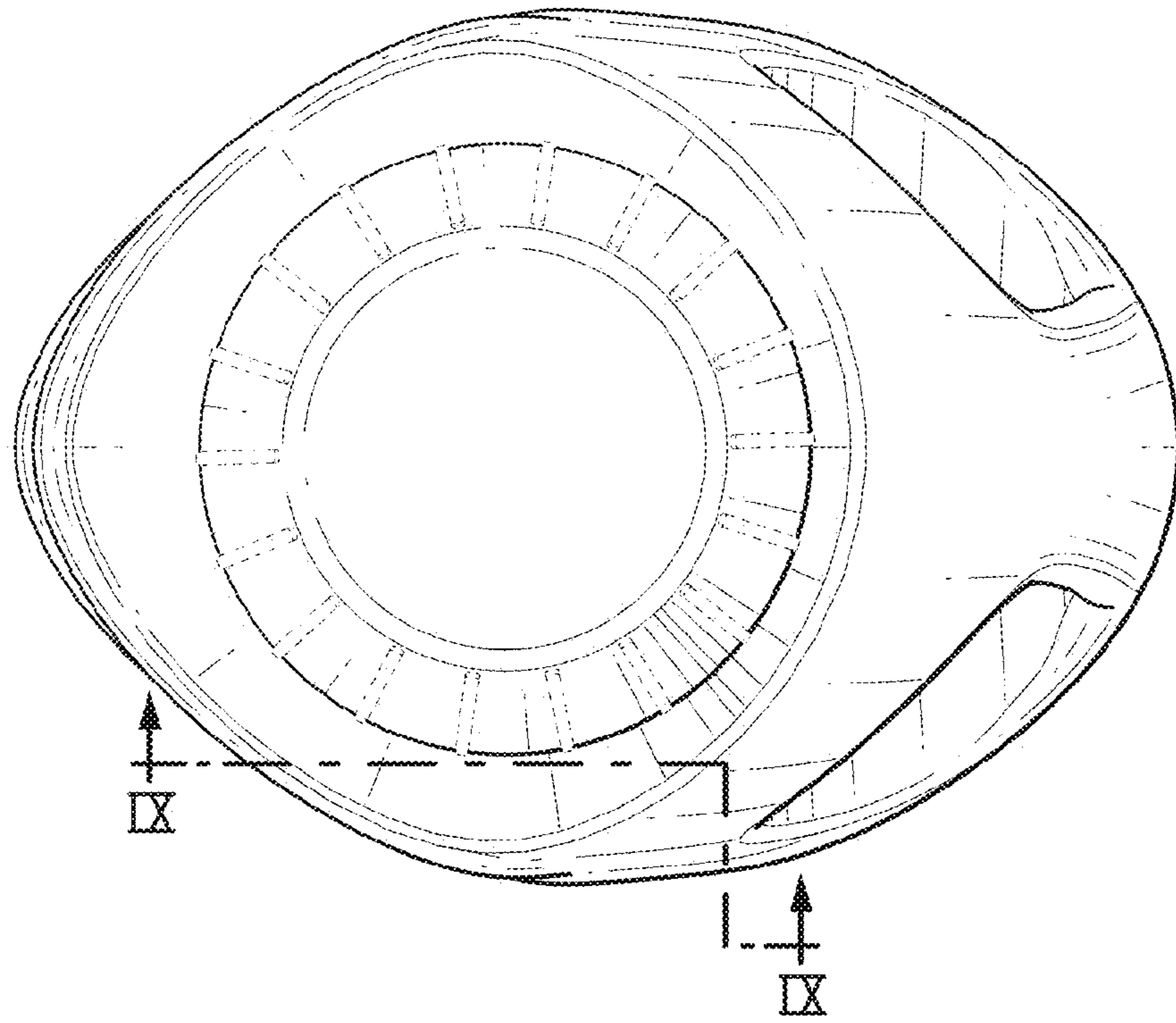


FIG. 6

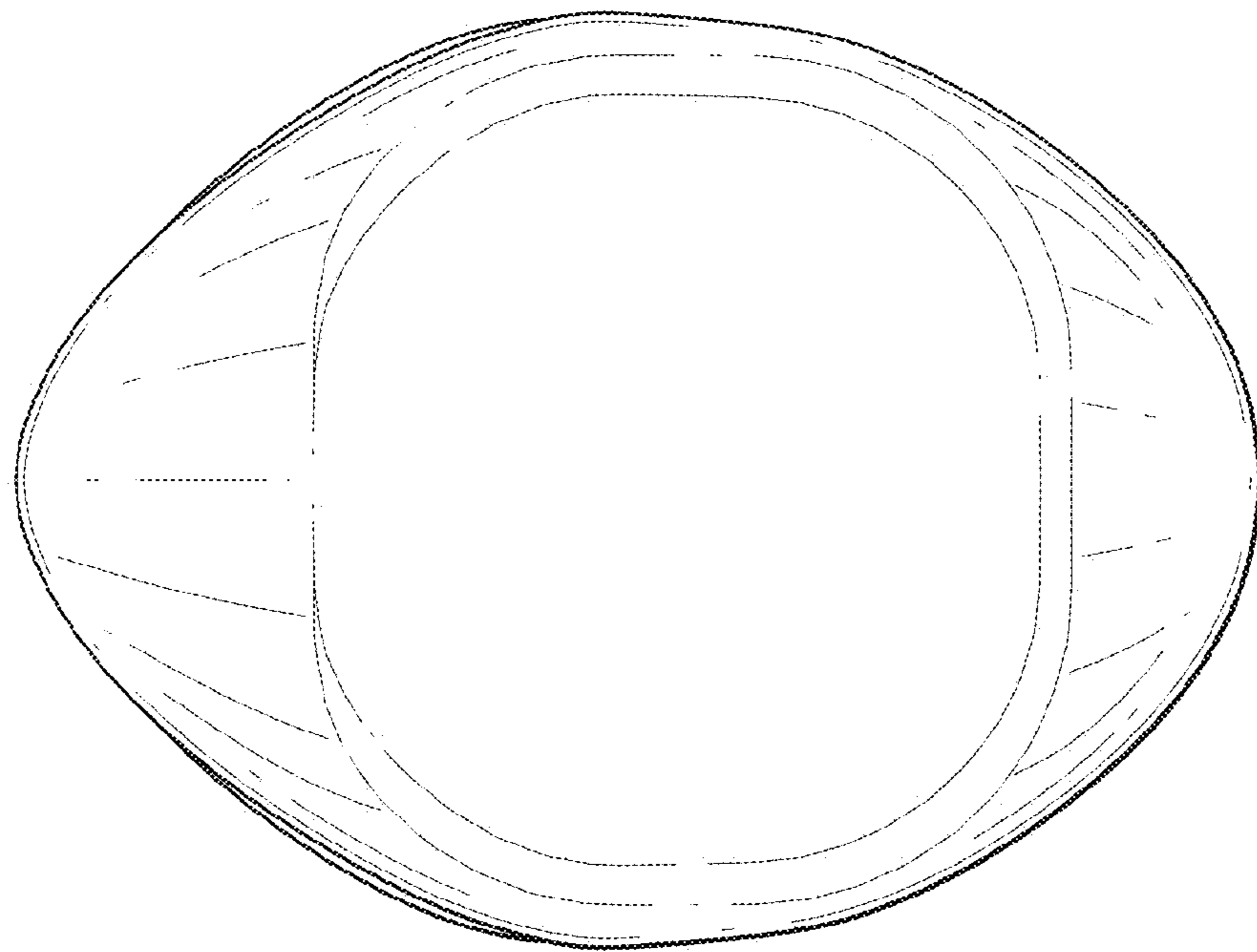


FIG. 7

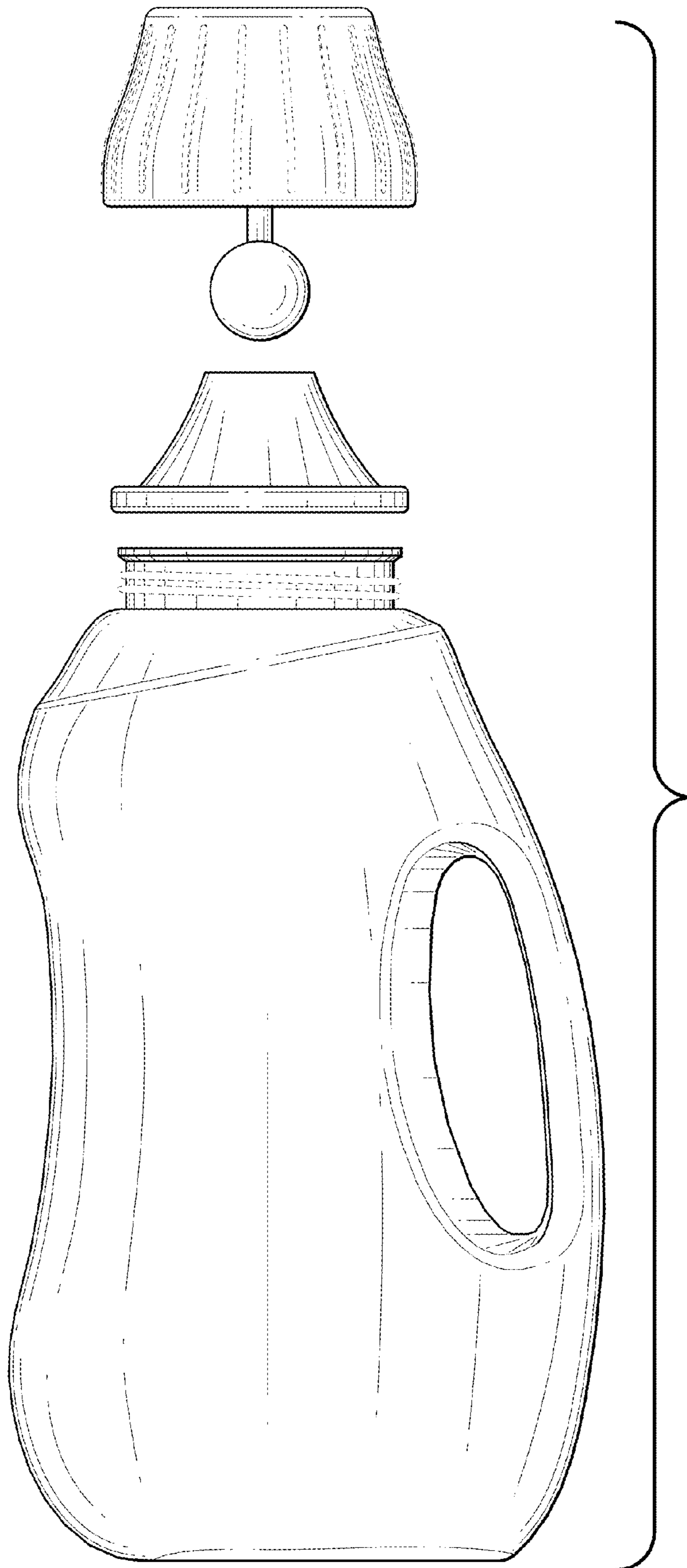


FIG. 8

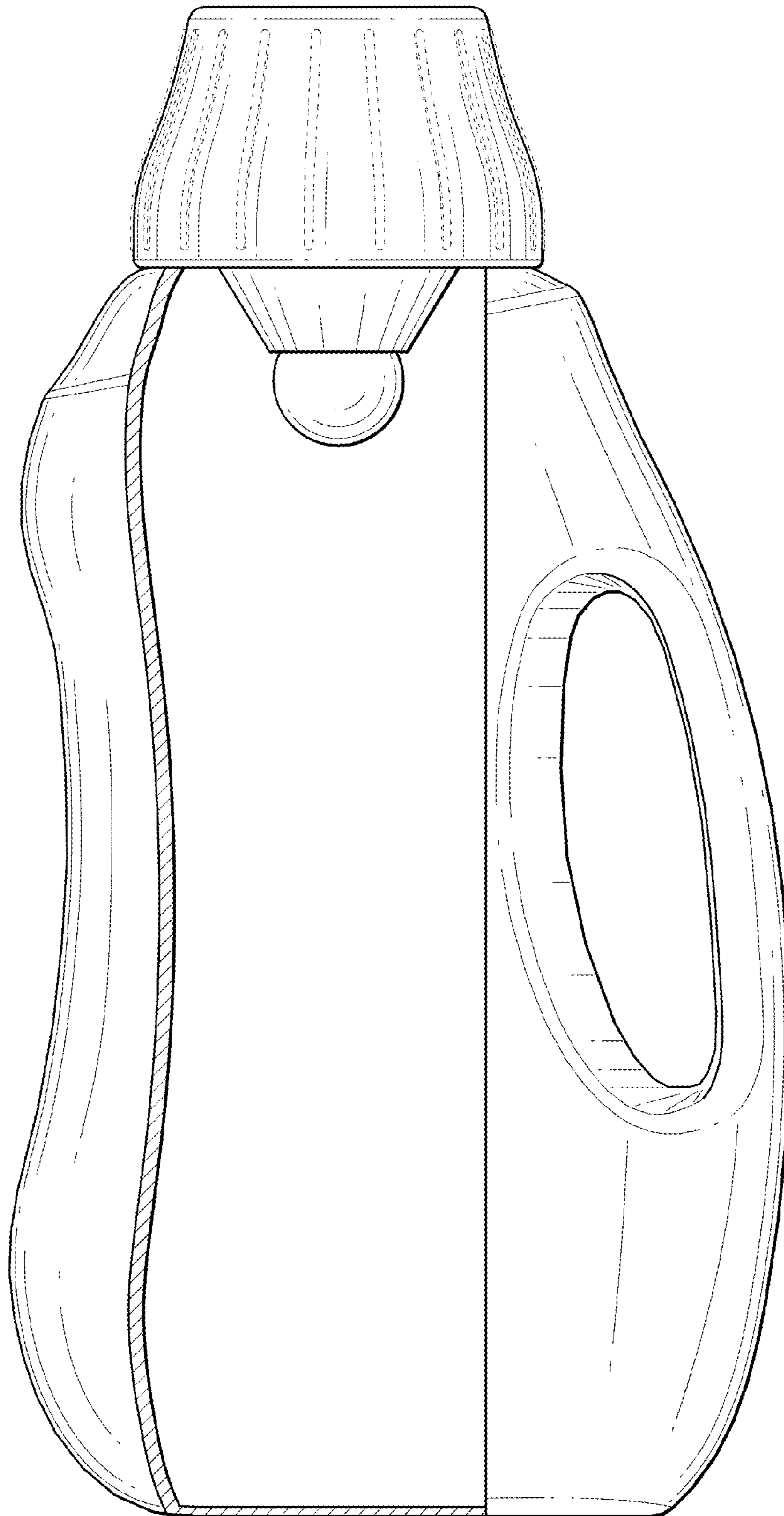


FIG. 9