



US00D723924S

(12) **United States Design Patent**  
**Laib et al.**

(10) **Patent No.:** **US D723,924 S**  
(45) **Date of Patent:** **\*\* Mar. 10, 2015**

- (54) **BOTTLE**
- (71) Applicant: **Owens-Brockway Glass Container Inc., Perrysburg, OH (US)**
- (72) Inventors: **Douglas Laib, Perrysburg, OH (US); Raul M. Paredes, Perrysburg, OH (US); Megan Herman, Toledo, OH (US); Karl A. Reisig, Maumee, OH (US); Scott D King, Perrysburg, OH (US)**
- (73) Assignee: **Owens-Brockway Glass Container Inc., Perrysburg, OH (US)**
- (\*\*) Term: **14 Years**

D85,233 S	8/1931	Fuerst	
D104,453 S *	5/1937	Kihn	D9/538
D112,532 S *	12/1938	Meier, Jr.	D9/502
D116,863 S *	9/1939	Mas	D9/520
D132,052 S *	4/1942	Trees	D9/500
D166,731 S *	5/1952	Blunt	D9/538
D178,273 S *	7/1956	Blunt	D9/541
D187,246 S	2/1960	Barton, Jr. et al.	
3,013,686 A *	12/1961	Blunt	215/42
D192,453 S *	3/1962	Wilhelm	D9/500
D234,291 S *	2/1975	Broadhead	D9/550
D243,584 S	3/1977	Reynolds	
D257,427 S	10/1980	Cooke et al.	
D304,681 S *	11/1989	Metaxa	D9/503
D308,335 S	6/1990	Rubioff	
D327,006 S	6/1992	Bostwick et al.	

(Continued)

- (21) Appl. No.: **29/493,202**
- (22) Filed: **Jun. 6, 2014**
- (51) **LOC (10) Cl.** ..... **09-01**
- (52) **U.S. Cl.**  
USPC ..... **D9/500**
- (58) **Field of Classification Search**  
CPC ..... B65D 1/00; B65D 1/02; B65D 1/12;  
B65D 1/14; B65D 1/16; B65D 1/165; B65D  
23/00; B65D 81/00; B65D 2501/00; B65D  
2501/0009  
USPC ..... D9/500, 502-505, 516, 529-530,  
D9/537-541, 544-545, 548-549, 558, 562,  
D9/682, 685-686, 688-691, 715, 719, 724,  
D9/763-764, 772, 776-777; D7/300,  
D7/300.1, 598; D24/197; 215/379,  
215/381-383; 220/660, 662, 669, 670, 672,  
220/675

See application file for complete search history.

(56) **References Cited**

**U.S. PATENT DOCUMENTS**

D58,203 S	7/1917	Anderson
D77,619 S	1/1928	Mas

**FOREIGN PATENT DOCUMENTS**

WO	DM/058299	*	9/2001
WO	DM/068307	*	8/2006

*Primary Examiner* — Ian Simmons  
*Assistant Examiner* — Dana L Meyrow

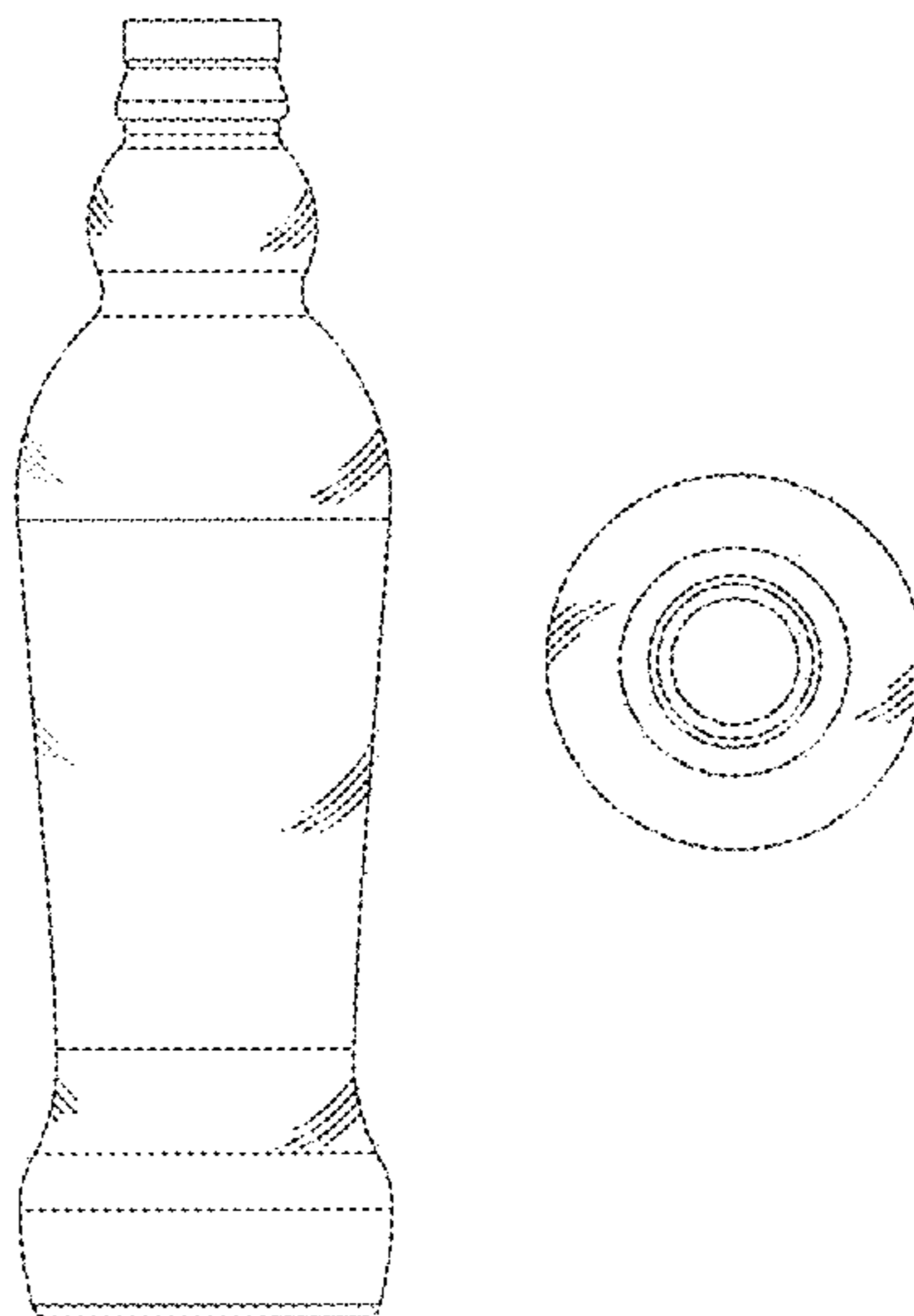
(57) **CLAIM**

We claim an ornamental design for a bottle, as shown and described.

**DESCRIPTION**

FIG. 1 is a top perspective view of a bottle in accordance with our new design.  
 FIG. 2 is a front elevational view of the bottle in FIG. 1.  
 FIG. 3 is a top plan view of the bottle in FIGS. 1 and 2, the bottle bottom forming no part of the claimed design.  
 FIG. 4 is a side elevational view of the bottle in FIGS. 1-3 taken from the right in FIG. 2.  
 FIG. 5 is side elevational view of the bottle in FIGS. 1-4 taken from the left in FIG. 2; and,  
 FIG. 6 is a rear elevational view of the bottle in FIGS. 1-5.

**1 Claim, 3 Drawing Sheets**



(56)

**References Cited**

U.S. PATENT DOCUMENTS

D330,334 S 10/1992 Rusnock et al.  
 D363,026 S 10/1995 Sillince et al.  
 D364,347 S 11/1995 Sillince et al.  
 D374,176 S 10/1996 Sillince et al.  
 D427,908 S \* 7/2000 Bae ..... D9/500  
 D430,803 S \* 9/2000 Reis et al. .... D9/500  
 D434,661 S 12/2000 Zambrano  
 D449,785 S 10/2001 Guthrie et al.  
 D450,243 S 11/2001 Toms et al.  
 D462,620 S \* 9/2002 Ashby ..... D9/550  
 D473,469 S 4/2003 Claessen  
 D476,571 S 7/2003 Lince

D484,415 S 12/2003 Hadtke et al.  
 D497,549 S 10/2004 Maskell et al.  
 D522,366 S \* 6/2006 Scott ..... D9/500  
 D525,870 S 8/2006 Allen et al.  
 D528,000 S 9/2006 Davis et al.  
 D531,903 S 11/2006 Haubein  
 D544,367 S 6/2007 Calderon-Bautista  
 D548,083 S \* 8/2007 Bourne ..... D9/502  
 D556,038 S 11/2007 Chupak  
 D571,214 S 6/2008 Caszatt  
 D579,334 S \* 10/2008 Williams ..... D9/500  
 D658,995 S 5/2012 Potts  
 D673,854 S 1/2013 James  
 D692,761 S \* 11/2013 Staley ..... D9/500  
 D697,804 S \* 1/2014 Hanson et al. .... D9/500

\* cited by examiner

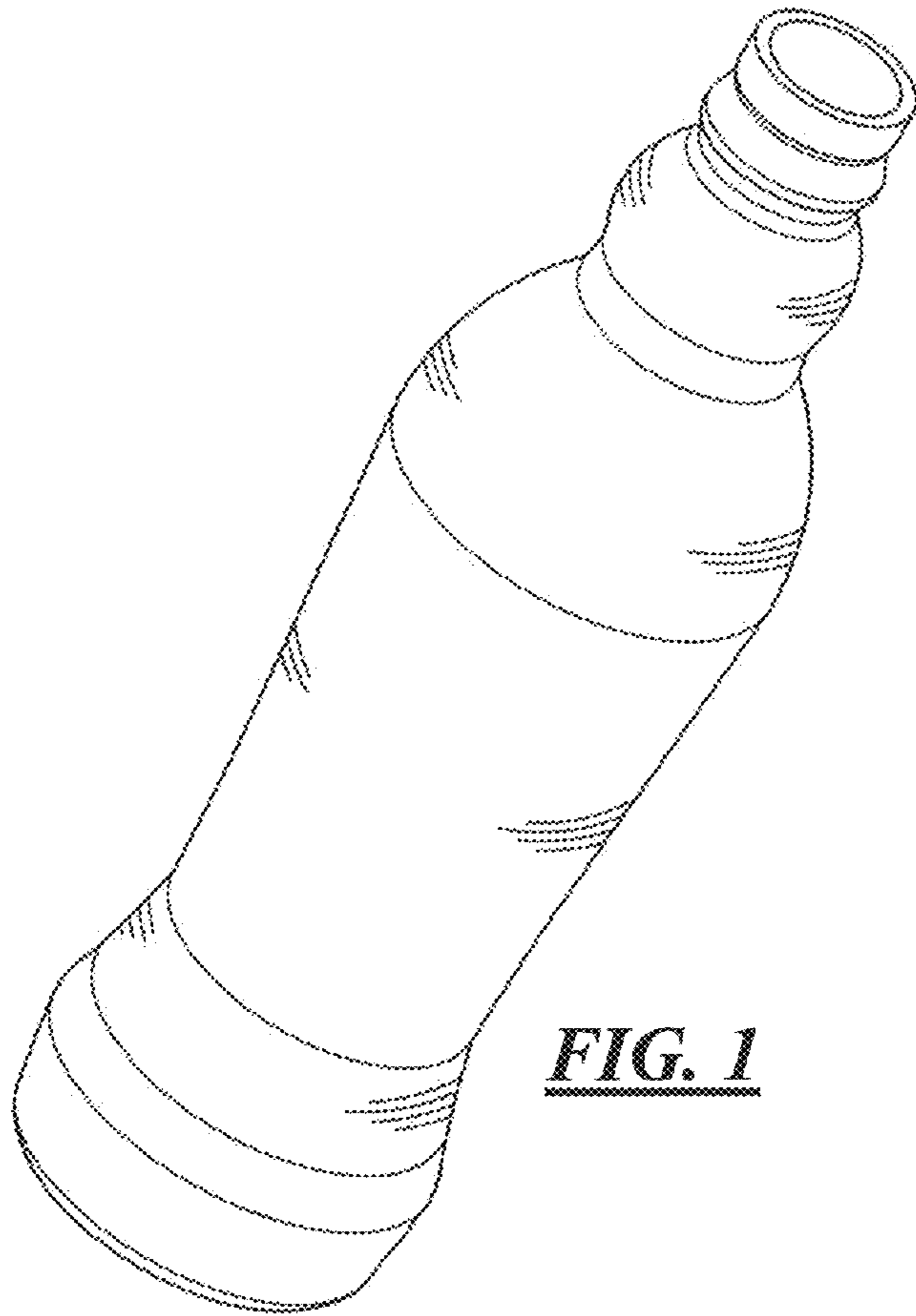


FIG. 1

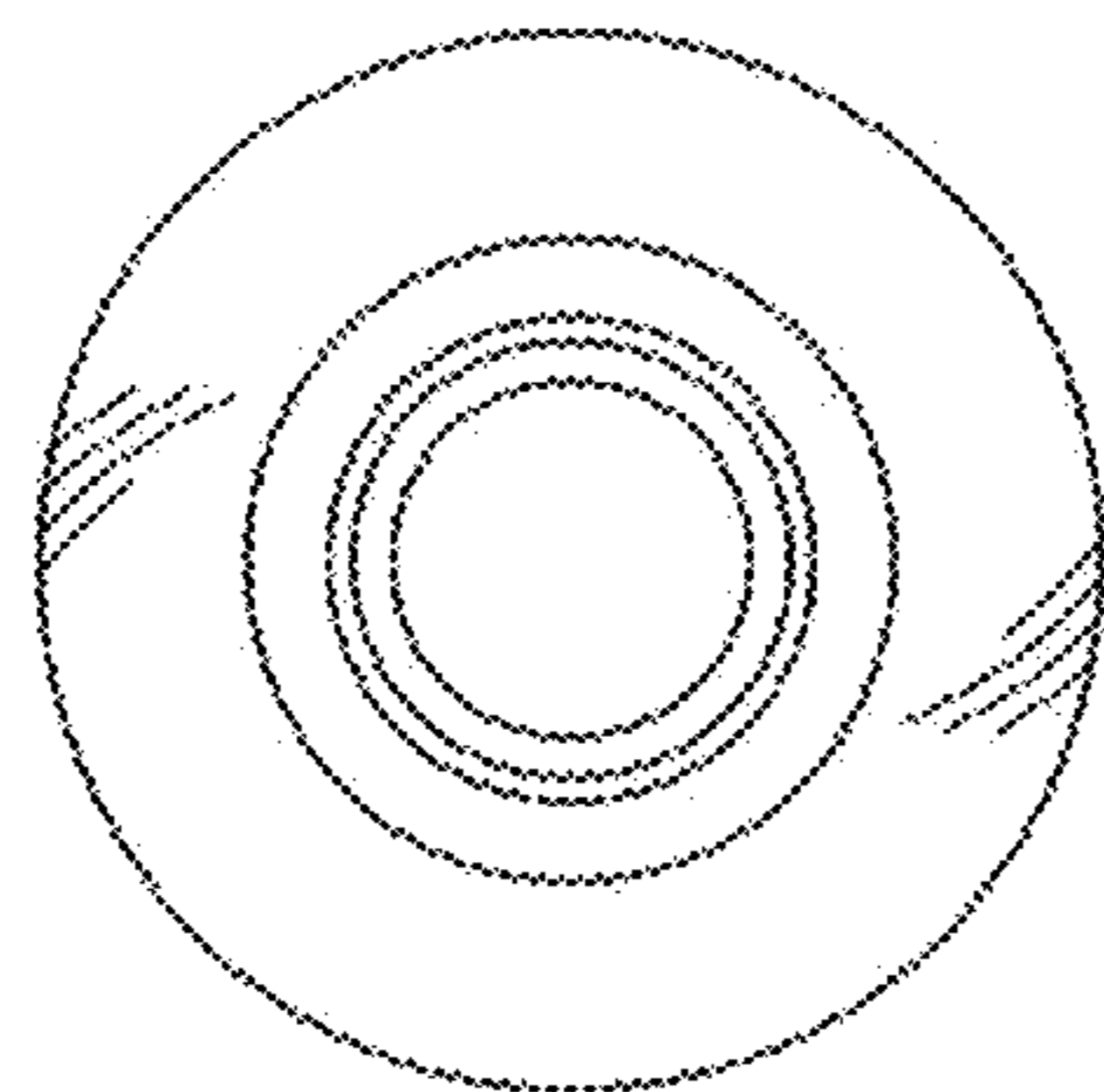


FIG. 3

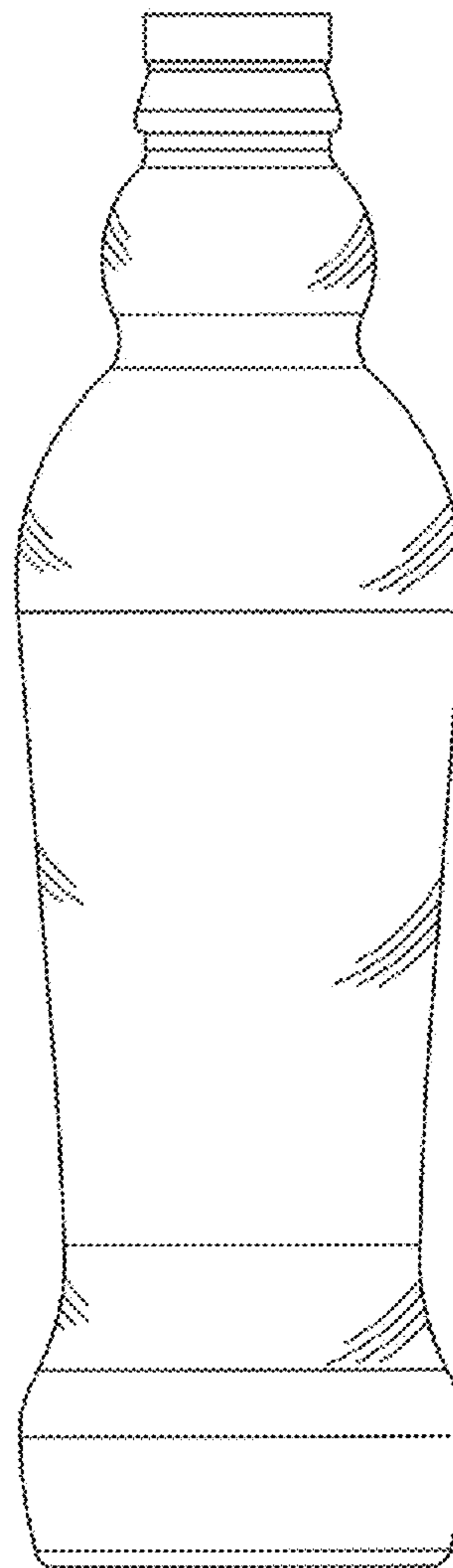
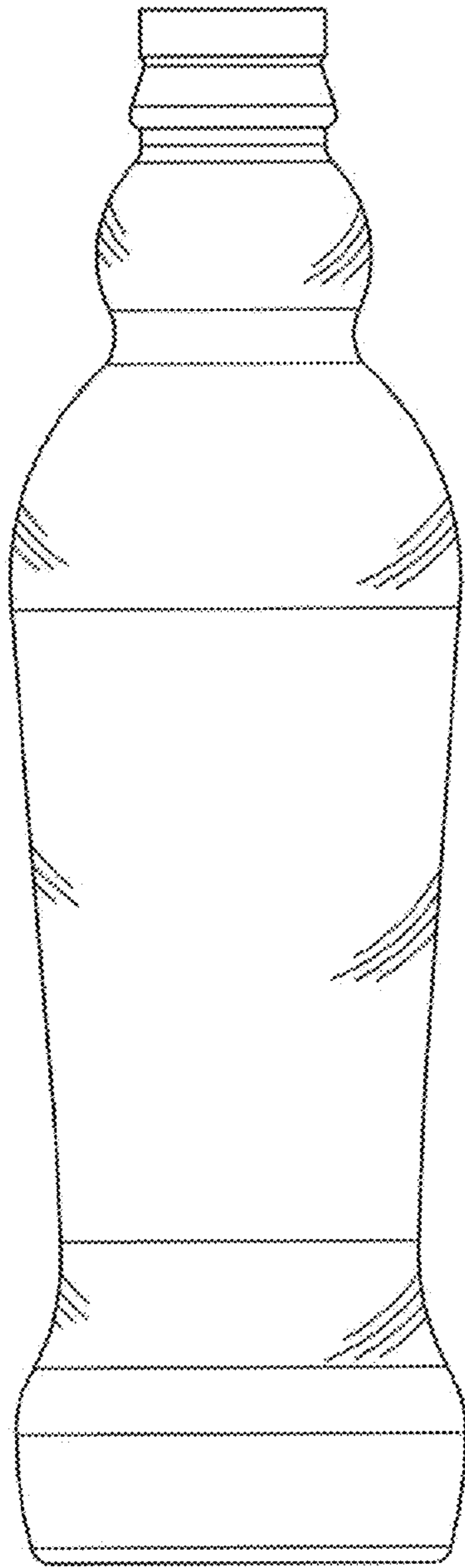
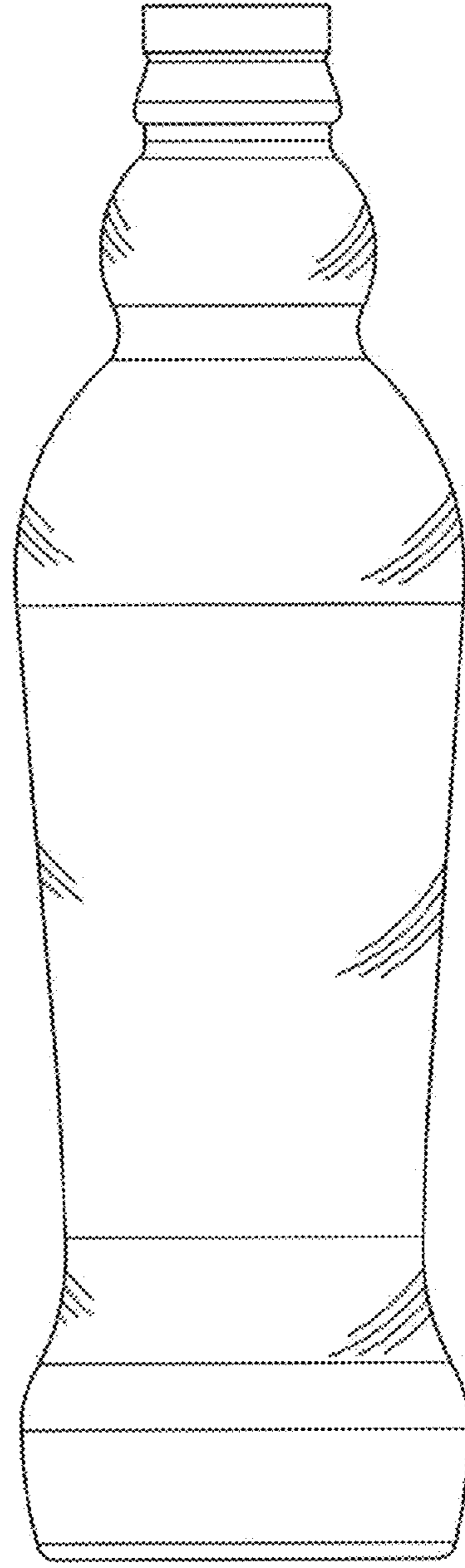


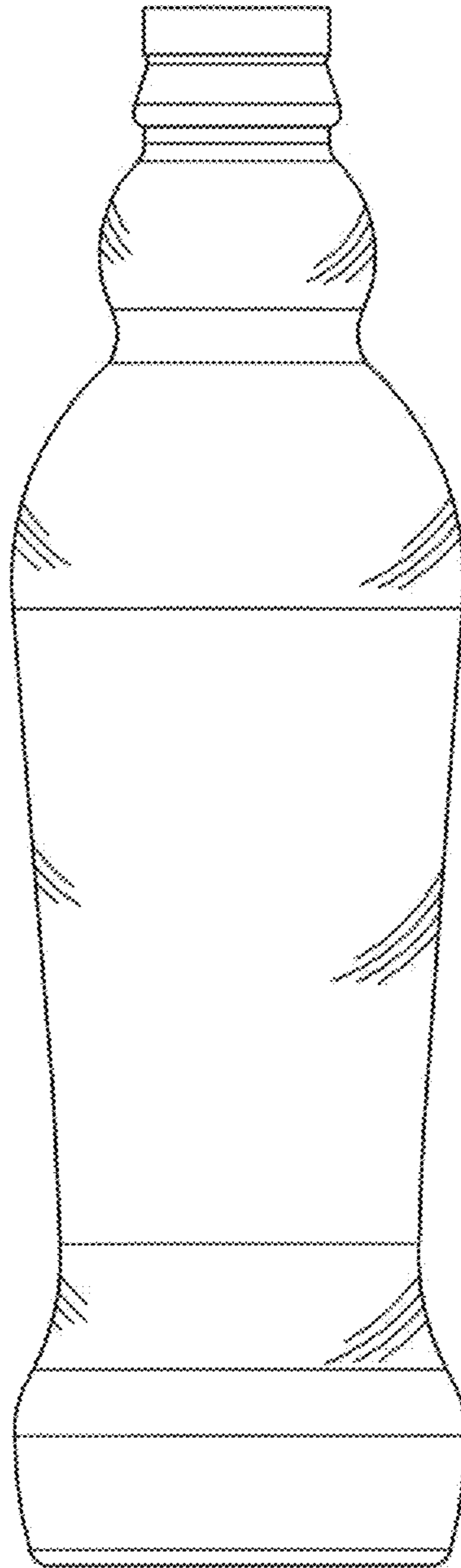
FIG. 2



**FIG. 4**



**FIG. 5**



**FIG. 6**