



US00D723920S

(12) **United States Design Patent**  
**Wakeham et al.**

(10) **Patent No.:** **US D723,920 S**  
(45) **Date of Patent:** **\*\* Mar. 10, 2015**

(54) **PACKAGING**

- (71) Applicant: **ResMed Limited**, Bella Vista, New South Wales (AU)
- (72) Inventors: **Dale Alan Stuart Wakeham**, Sydney (AU); **Martin Kang**, Sydney (AU); **Andrew James Bate**, Blue Mountains (AU); **Frederick Arlet May**, Sydney (AU); **Murray William Lee**, Sydney (AU); **Hadley White**, Sydney (AU)
- (73) Assignee: **ResMed Limited**, Bella Vista (AU)
- (\*\*) Term: **14 Years**
- (21) Appl. No.: **29/471,991**
- (22) Filed: **Nov. 7, 2013**
- (51) **LOC (10) Cl.** ..... **09-07**
- (52) **U.S. Cl.**  
USPC ..... **D9/456**
- (58) **Field of Classification Search**  
USPC ..... D9/434, 435, 455, 456, 499; D3/201, D3/203.1, 203.6, 203.8, 273, 294, 295, D3/313, 319, 328; 428/141; 410/154; 206/710, 711  
See application file for complete search history.

(56) **References Cited**

**U.S. PATENT DOCUMENTS**

D589,798 S *	4/2009	Liipola	.....	D9/456
D596,485 S *	7/2009	Andre et al.	.....	D9/737
D620,795 S *	8/2010	Andre et al.	.....	D9/432
D661,188 S *	6/2012	Fahy	.....	D9/456
D676,323 S *	2/2013	Sugden et al.	.....	D9/456

**OTHER PUBLICATIONS**

Philips Respiroics Nuance™ Mask and Packaging, 7 pages, USPTO to assume before Applicant's filing date.  
Philips Respiroics Wisp™ Mask and Packaging, 7 pages, USPTO to assume before Applicant's filing date.

\* cited by examiner

*Primary Examiner* — Robert M Spear  
(74) *Attorney, Agent, or Firm* — Nixon & Vanderhye P.C.

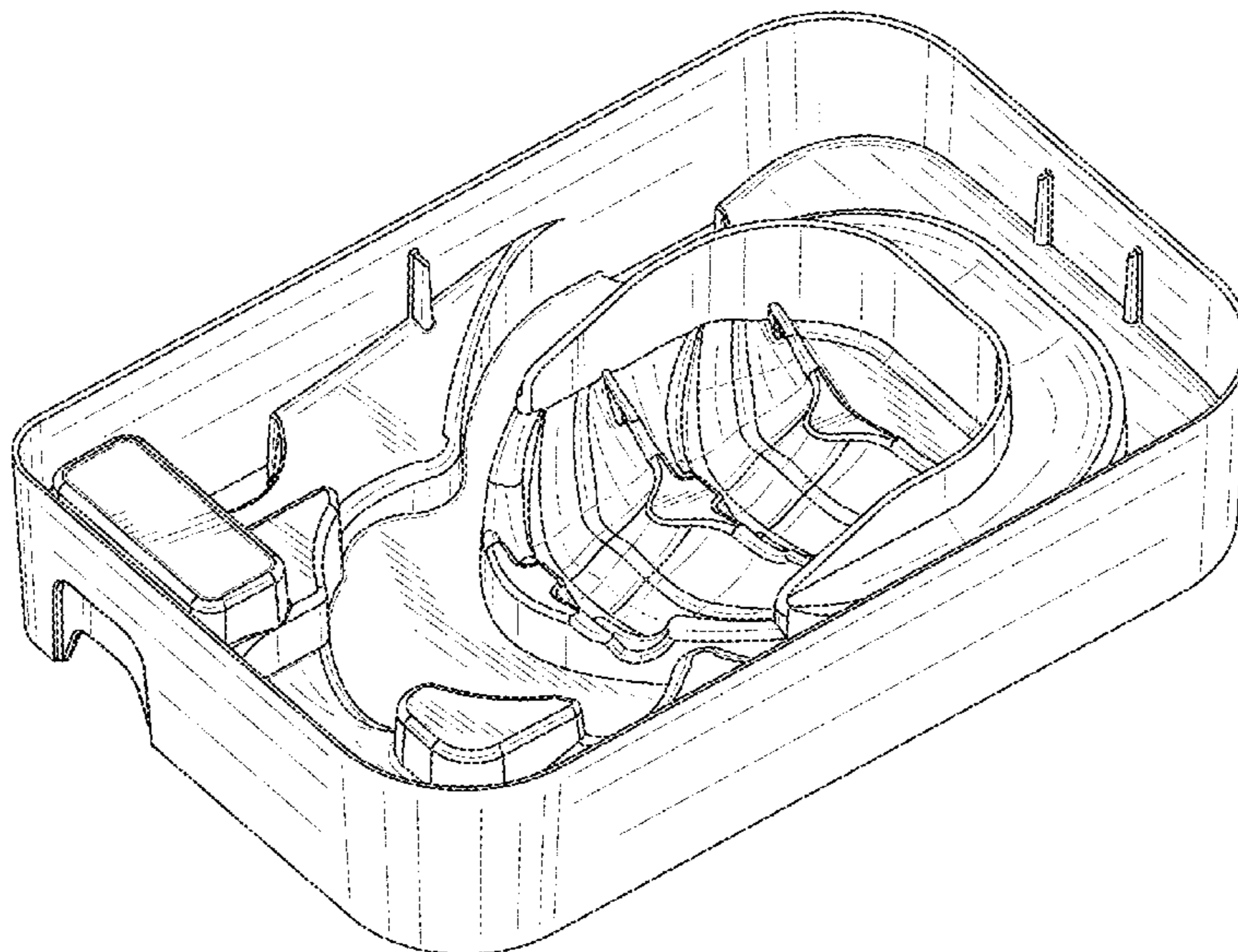
(57) **CLAIM**

The ornamental design for packaging, as shown and described.

**DESCRIPTION**

FIG. 1 is a front perspective view of packaging showing our new ornamental design;  
FIG. 2 is a left side view thereof;  
FIG. 3 is a right side view thereof;  
FIG. 4 is a front view thereof;  
FIG. 5 is a rear view thereof;  
FIG. 6 is a top view thereof;  
FIG. 7 is a bottom view thereof;  
FIG. 8 is a cross sectional view along lines 8-8 of FIG. 6;  
FIG. 9 is a cross sectional view along lines 9-9 of FIG. 6;  
FIG. 10 is a detail view of a portion of FIG. 9;  
FIG. 11 is an additional perspective view thereof; and,  
FIG. 12 is a top view thereof, with sample unclaimed mask components therein.  
The broken lines represent environment or structure and do not form a portion of the claimed design.

**1 Claim, 8 Drawing Sheets**



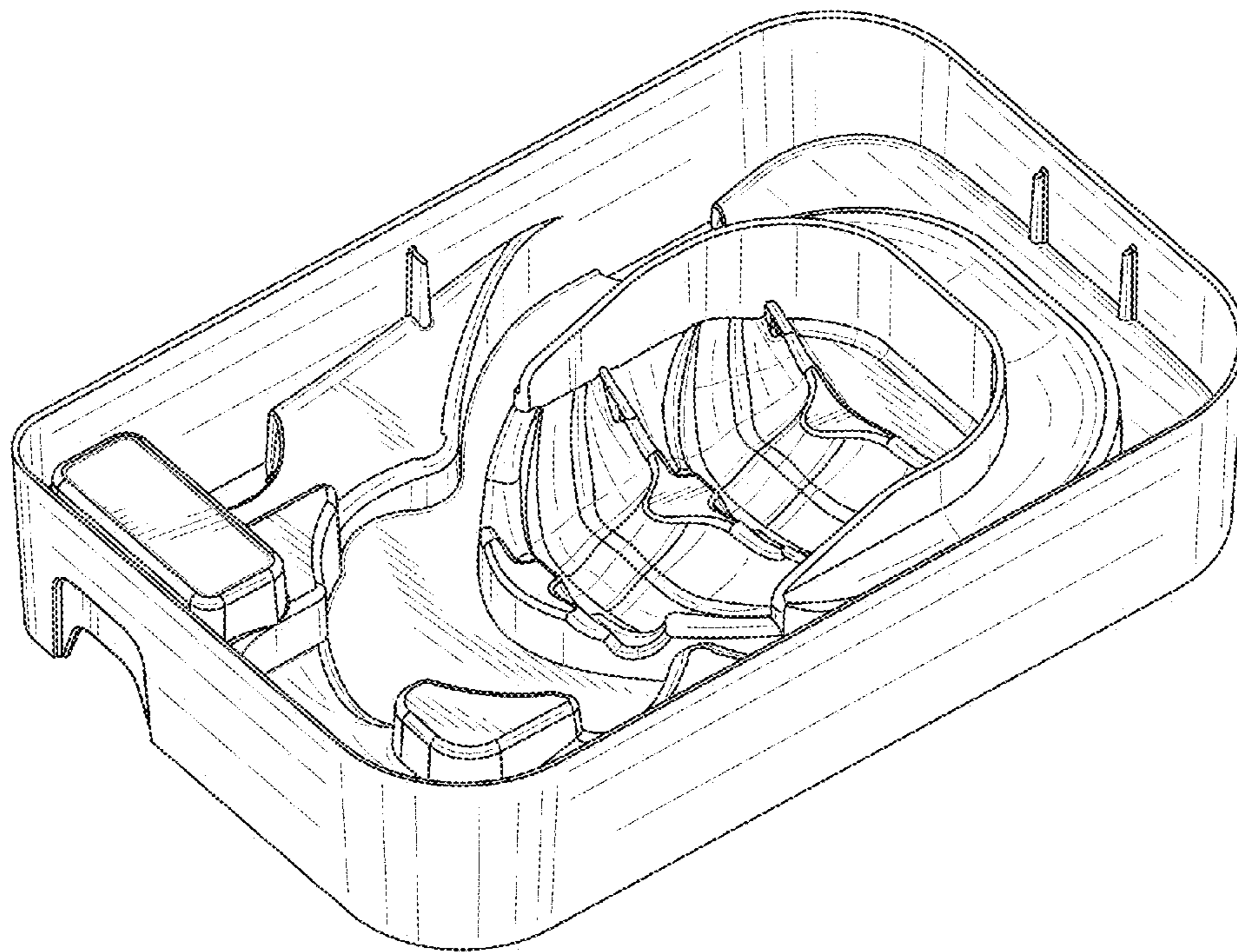


FIG. 1

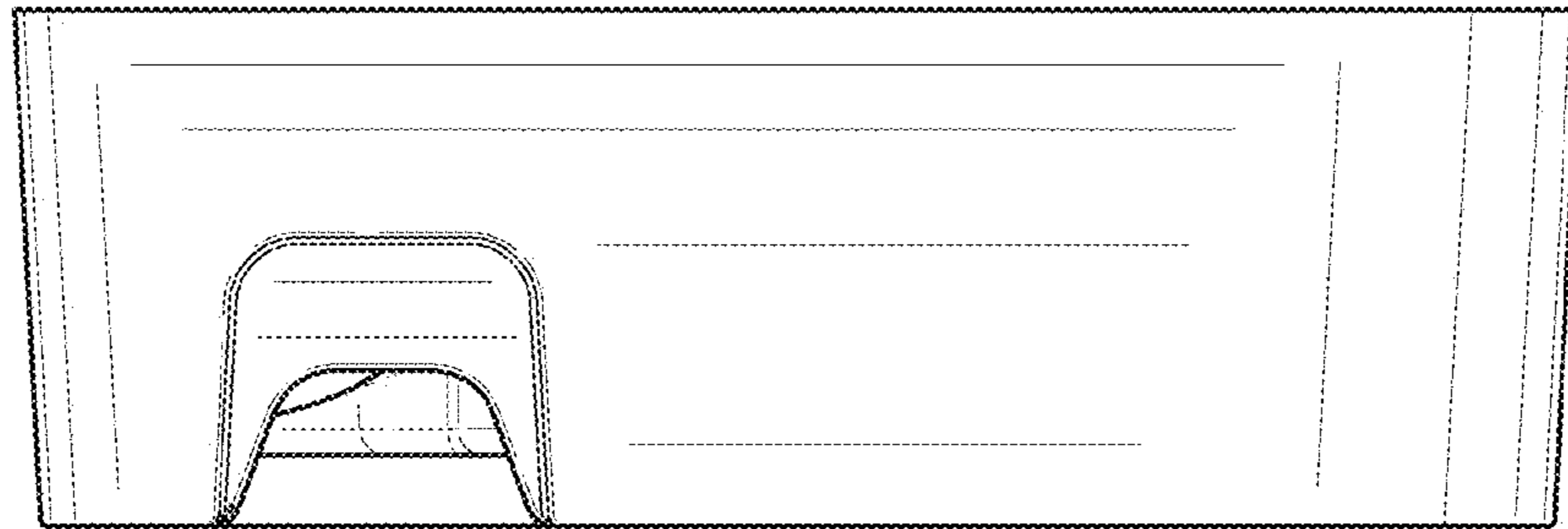


FIG. 2

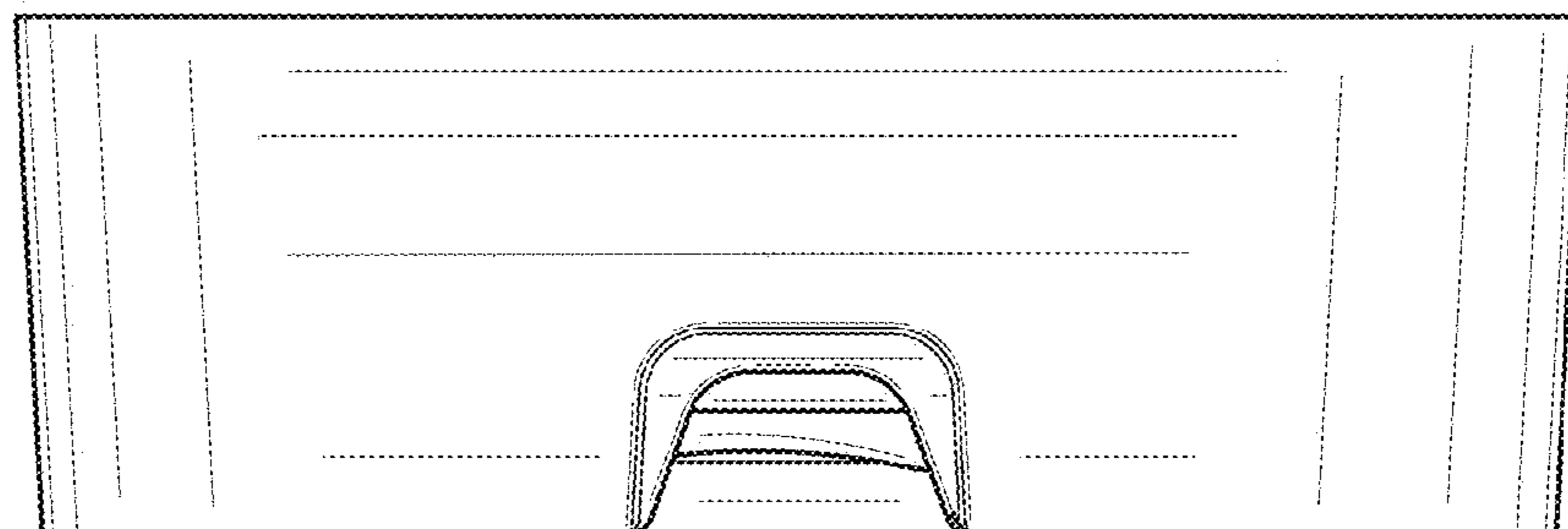


FIG. 3

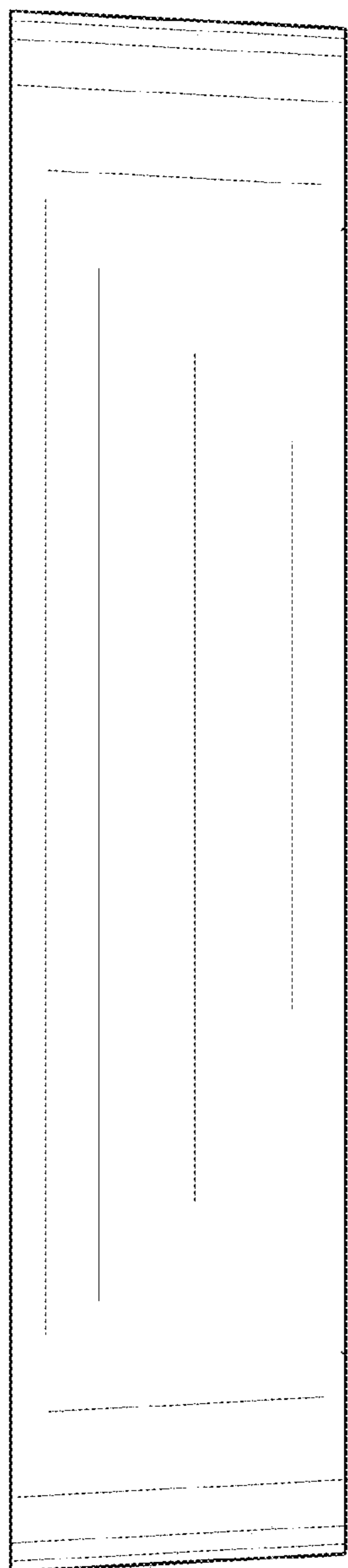


FIG. 4

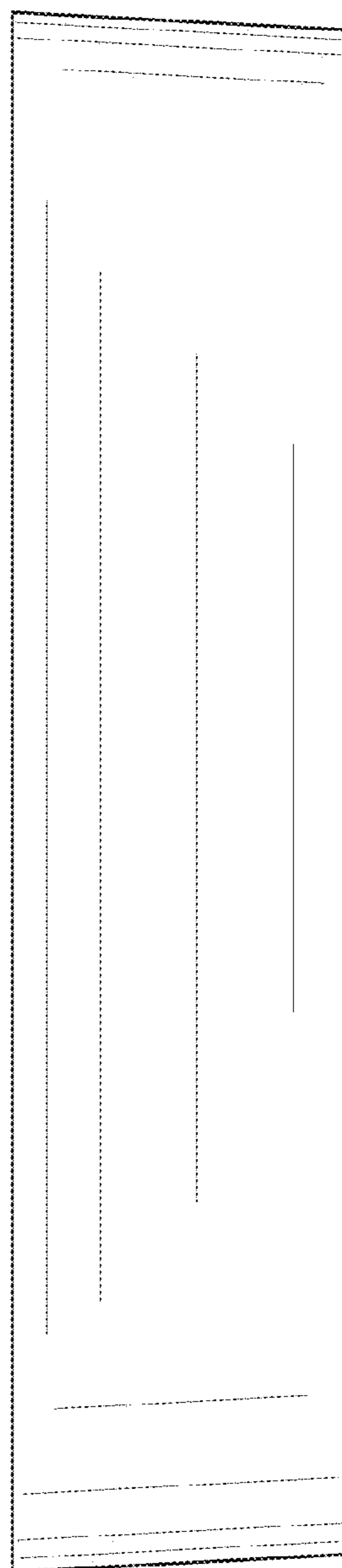


FIG. 5

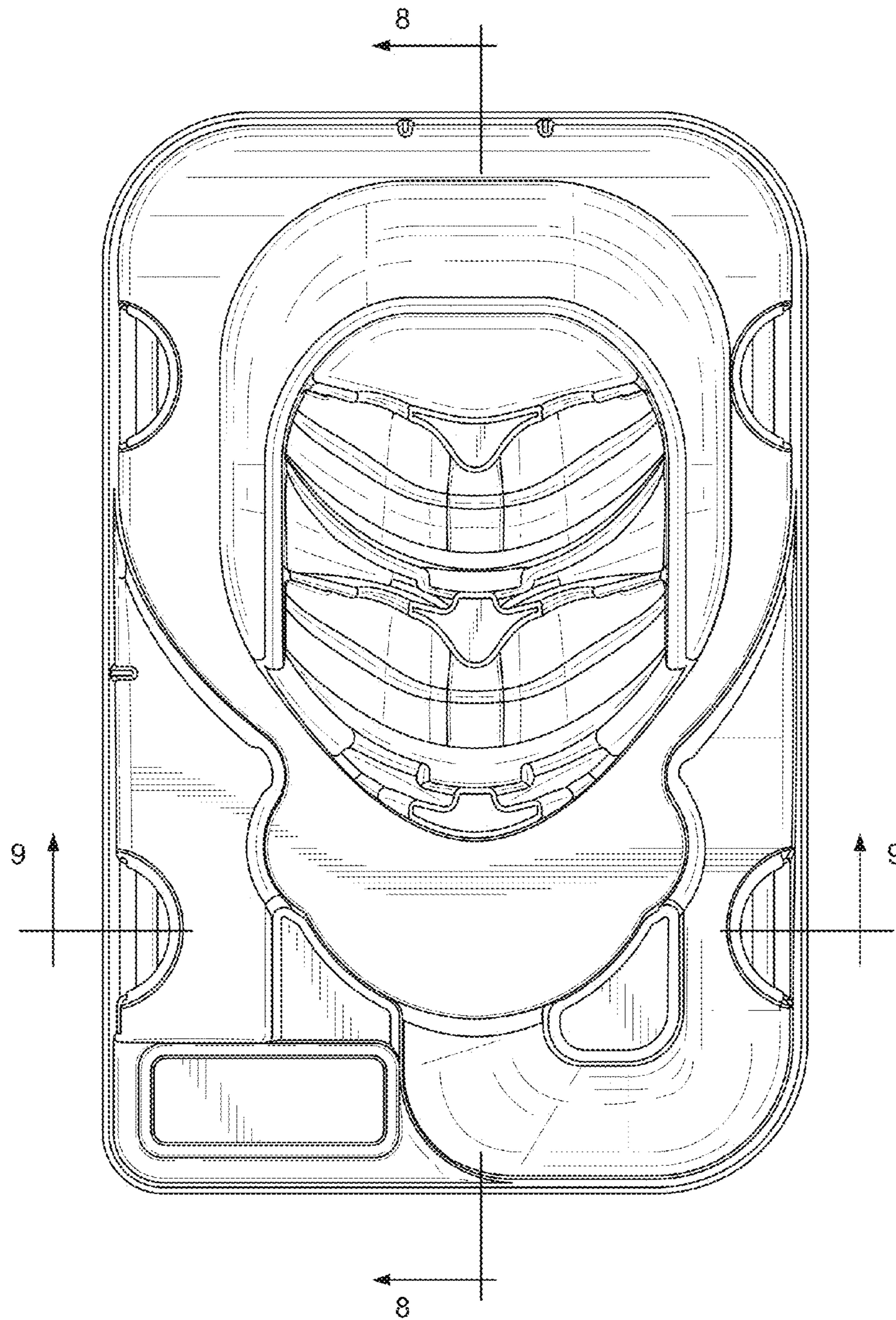


FIG. 6

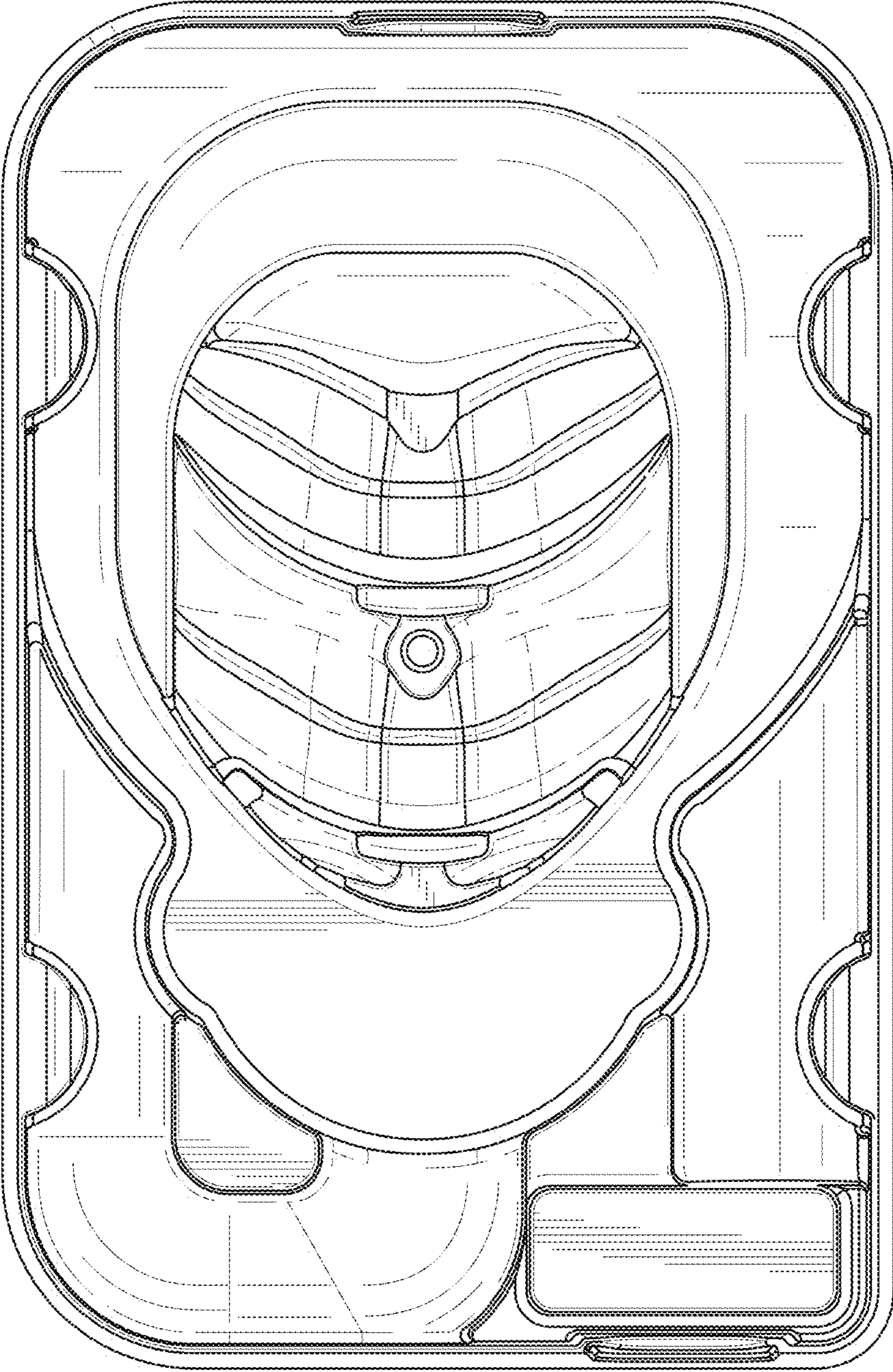


FIG. 7

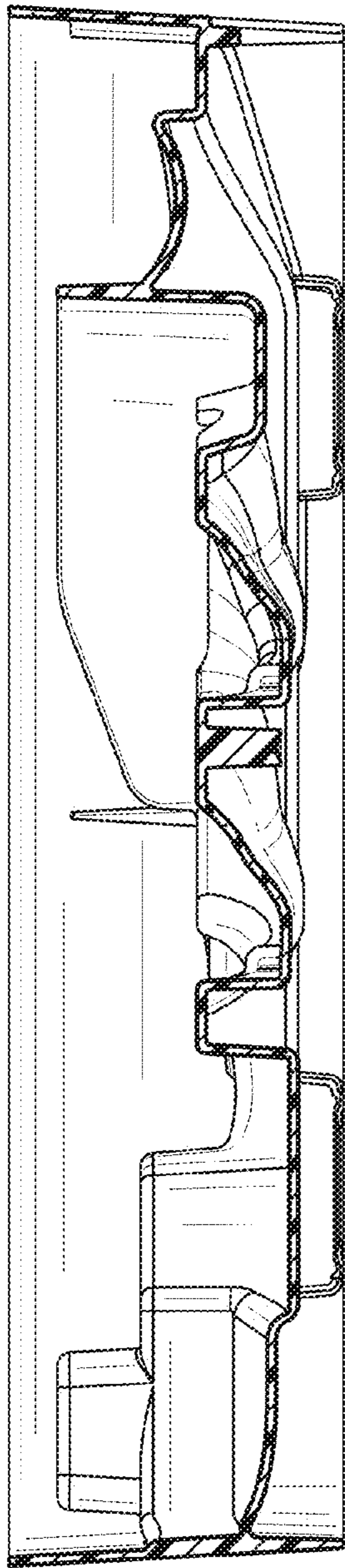


FIG. 8

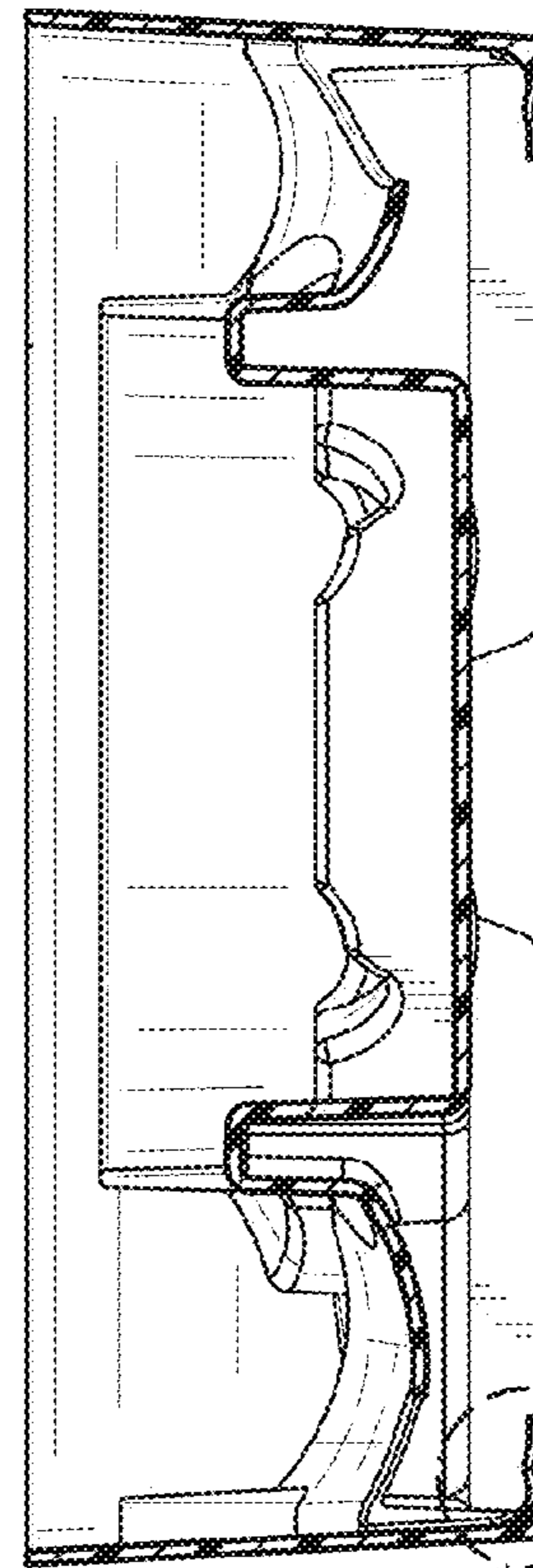


FIG. 9

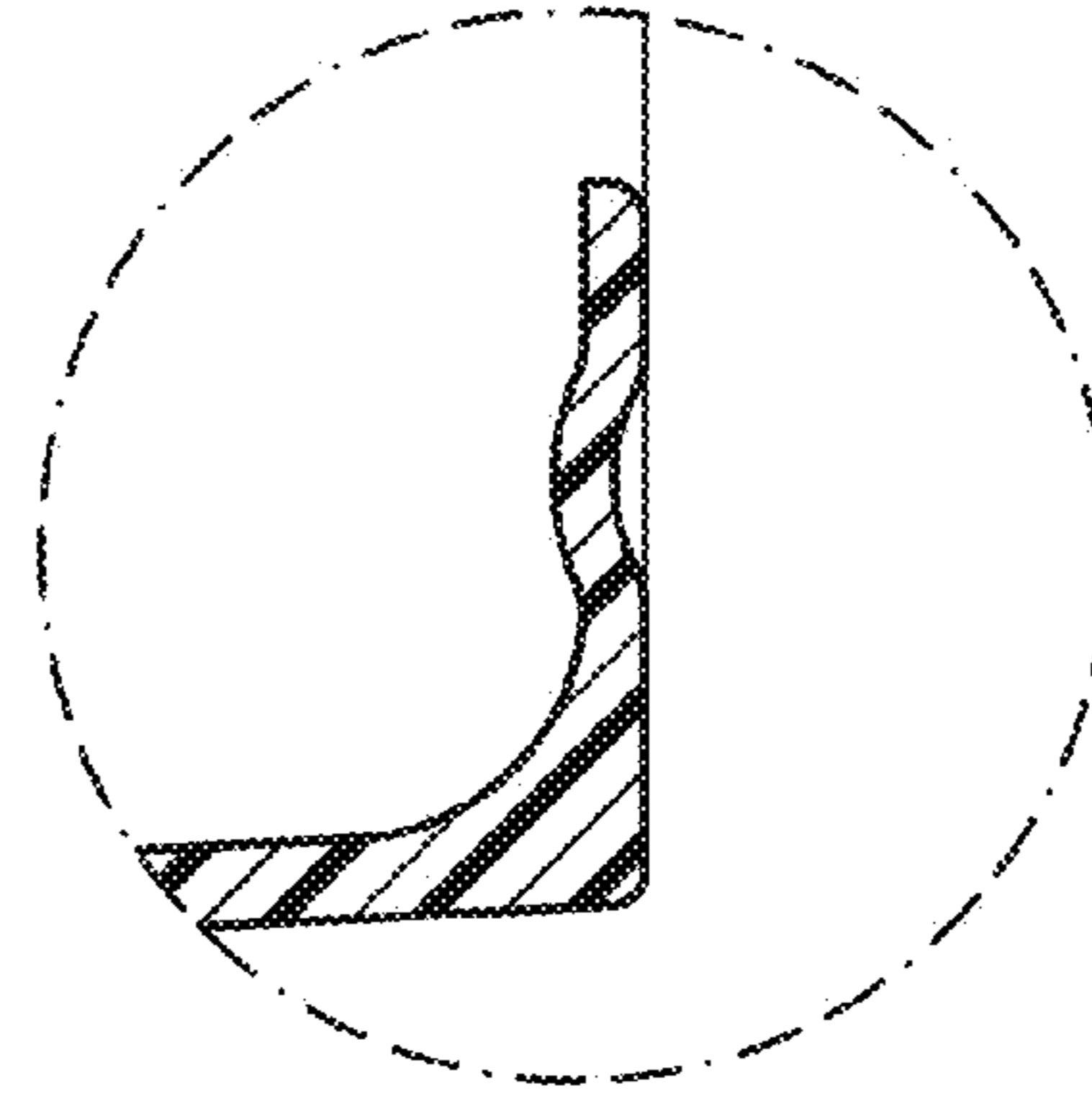


FIG. 10

FIG. 10

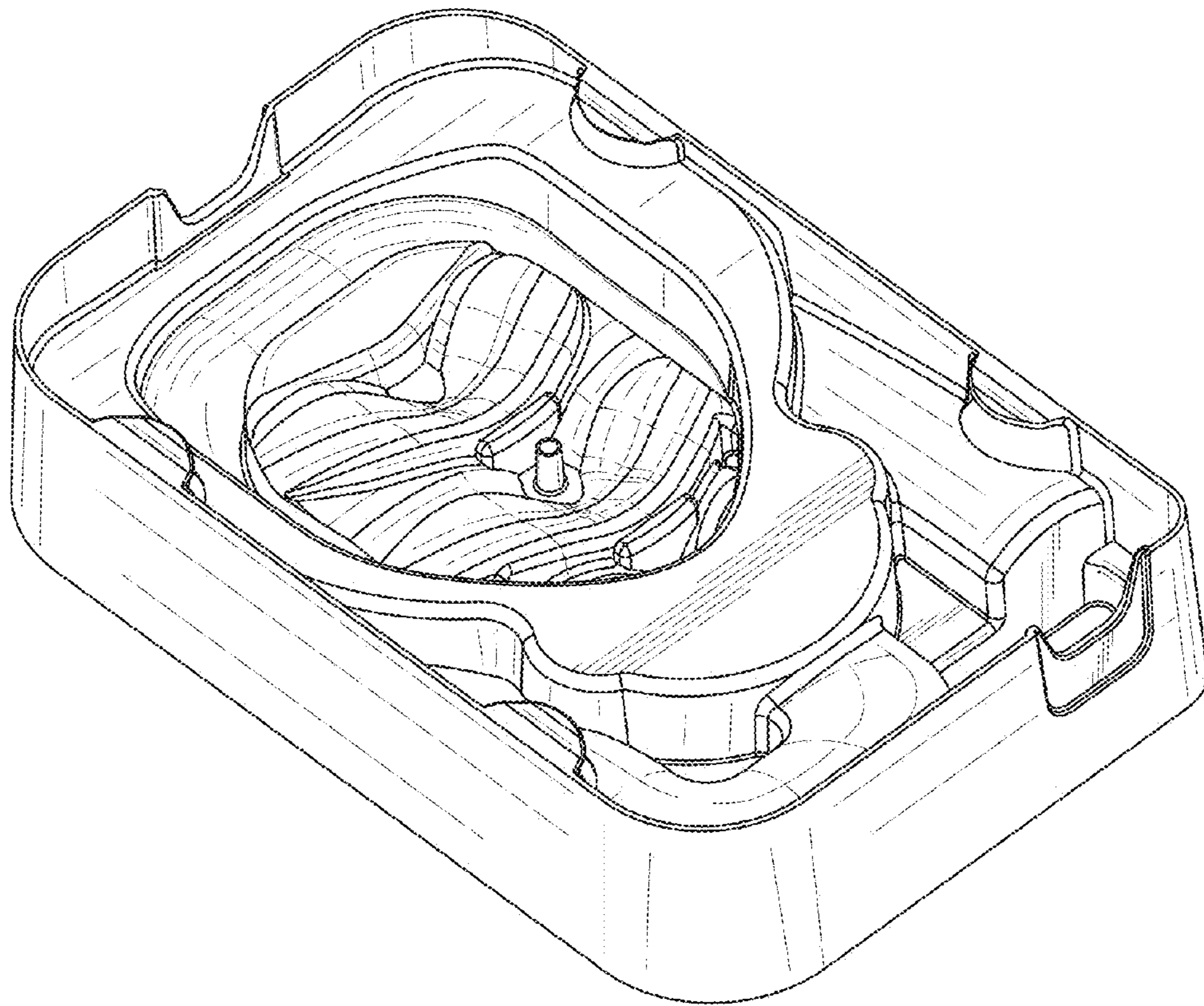


FIG. 11



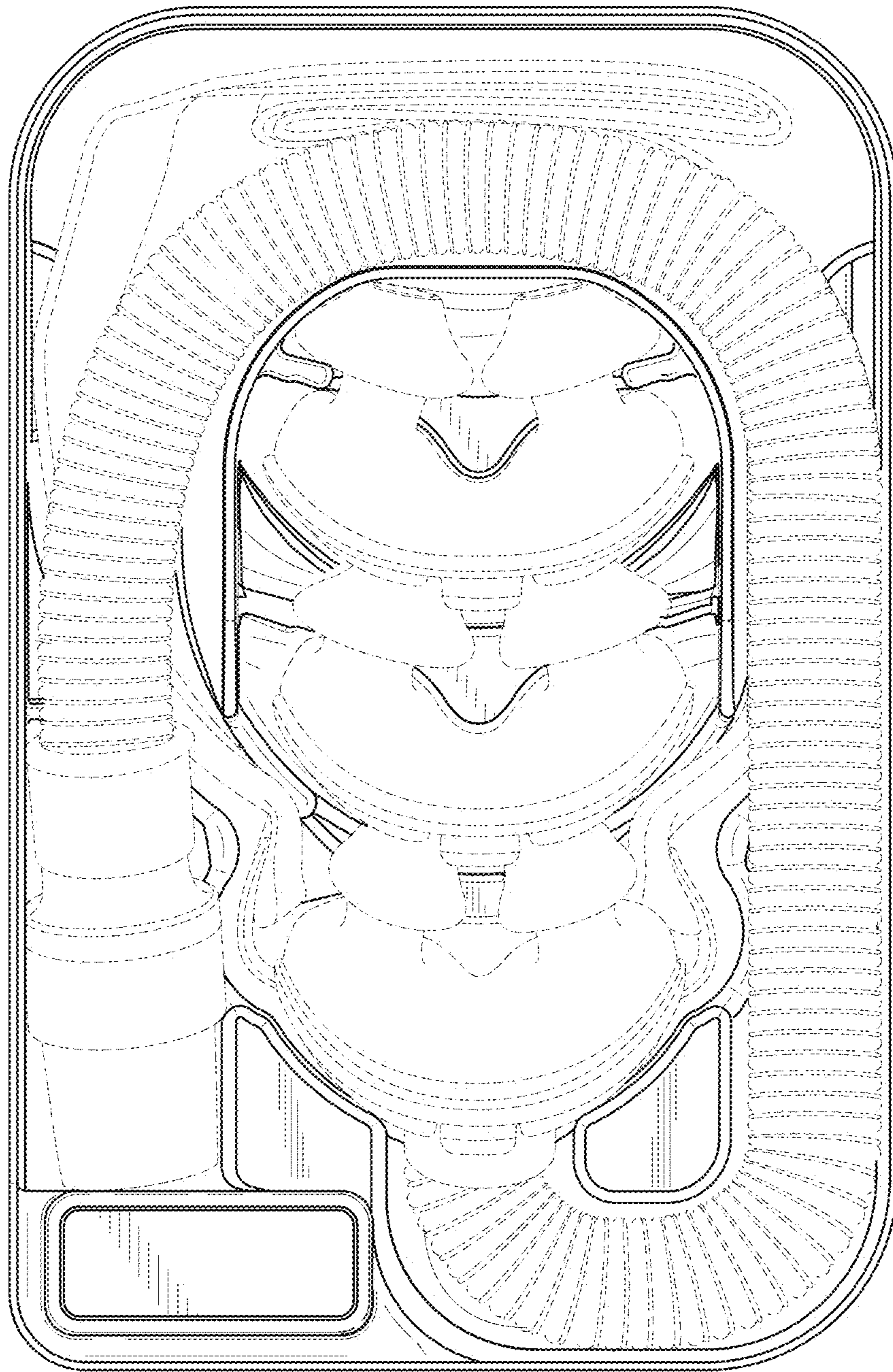


FIG. 12