



US00D723919S

(12) **United States Design Patent**  
**Taber et al.**

(10) **Patent No.:** **US D723,919 S**  
(45) **Date of Patent:** **\*\* Mar. 10, 2015**

- (54) **CLOSURE**
- (71) Applicant: **Silgan White Cap LLC**, Downers Grove, IL (US)
- (72) Inventors: **James M. Taber**, Aurora, IL (US);  
**Darren Neputy**, Palos Hills, IL (US)
- (73) Assignee: **Silgan White Cap LLC**, Downers Grove, IL (US)
- (\*\*) Term: **14 Years**
- (21) Appl. No.: **29/470,714**
- (22) Filed: **Oct. 24, 2013**
- (51) **LOC (10) Cl.** ..... **09-07**
- (52) **U.S. Cl.**  
USPC ..... **D9/453; D9/438**
- (58) **Field of Classification Search**  
CPC ..... **B65D 41/34**  
USPC ..... **D9/434, 435, 443, 446, 449, 450, 452, 453, 454, 499; 215/206, 216, 222, 252; 220/277; 222/83**  
See application file for complete search history.

5,090,788 A 2/1992 Ingram et al.  
5,096,079 A 3/1992 Odet  
5,197,620 A 3/1993 Gregory

(Continued)

**FOREIGN PATENT DOCUMENTS**

DE 20 2004 01593 1/2005  
IT MO2010A000359 12/2010

(Continued)

**OTHER PUBLICATIONS**

Italian Search Report and Written Opinion for Italian Application No. IT MO20100360, 7 pages, dated Aug. 1, 2011.

*Primary Examiner* — Robert M Spear

(74) *Attorney, Agent, or Firm* — Reinhart Boerner Van Deuren s.c.

(57) **CLAIM**

We claim the ornamental design for a closure, as shown and described.

**DESCRIPTION**

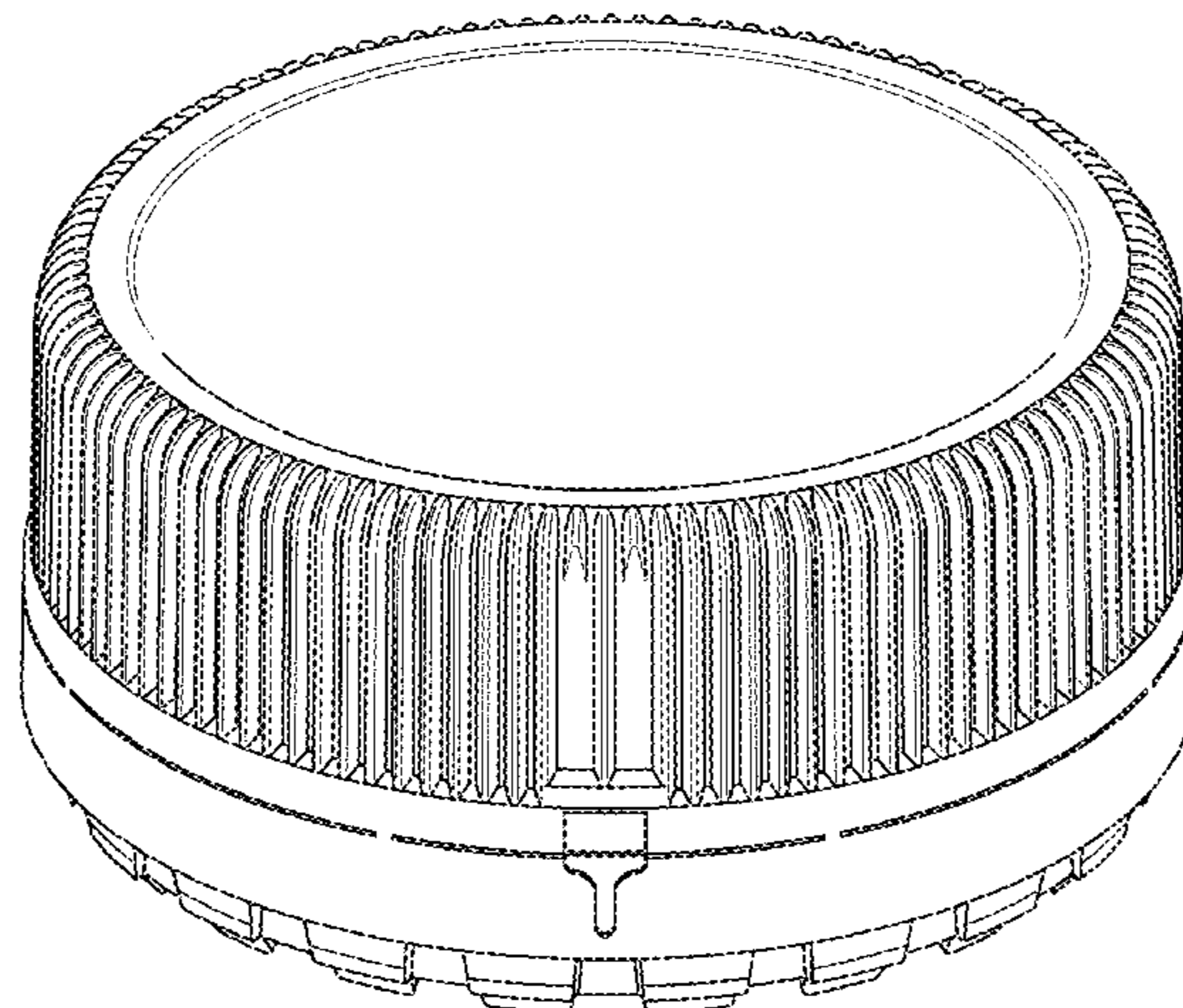
FIG. 1 is a top perspective view of a closure, showing our new design;  
FIG. 2 is a top plan view of the claimed design of FIG. 1;  
FIG. 3 is a bottom plan view of the claimed design of FIG. 1;  
FIG. 4 is a front elevational view of the claimed design of FIG. 1, the rear elevational view being the same as the front elevational view;  
FIG. 5 is a left side elevational view of the claimed design of FIG. 1, the right side elevational view being a mirror image of the left side elevational view;  
FIG. 6 is a sectional view of the claimed design of FIG. 1, taken along line 6-6 of FIG. 3; and,  
FIG. 7 is bottom perspective view of the claimed design of FIG. 1.

**1 Claim, 6 Drawing Sheets**

(56) **References Cited**

**U.S. PATENT DOCUMENTS**

D95,675 S *	5/1935	Fuerst	.....	D9/453
3,796,338 A *	3/1974	Wilton	.....	215/252
4,402,418 A	9/1983	Ostrowsky		
4,458,821 A	7/1984	Ostrowsky		
4,458,822 A	7/1984	Ostrowsky		
4,470,513 A	9/1984	Ostrowsky		
4,478,343 A	10/1984	Ostrowsky		
4,801,030 A	1/1989	Barriac		
4,801,031 A	1/1989	Barriac		
4,978,016 A	12/1990	Hayes		
4,997,097 A	3/1991	Krautkramer		
5,007,545 A	4/1991	Imbery, Jr.		
5,058,755 A	10/1991	Hayes		



(56)

References Cited

U.S. PATENT DOCUMENTS

5,219,507 A 6/1993 Ingram et al.  
 5,310,069 A 5/1994 Ingram et al.  
 5,370,520 A 12/1994 Ingram et al.  
 5,443,171 A 8/1995 Sprowl  
 5,450,973 A 9/1995 Ellis et al.  
 5,462,184 A 10/1995 Ingram et al.  
 5,488,888 A 2/1996 Kowal  
 5,609,262 A 3/1997 Trout  
 5,611,446 A 3/1997 Ingram et al.  
 5,657,889 A 8/1997 Guglielmini  
 5,690,882 A 11/1997 Sprowl  
 5,695,083 A 12/1997 Obadia  
 5,749,484 A 5/1998 Trout  
 5,755,347 A 5/1998 Ingram  
 5,913,437 A 6/1999 Ma  
 6,112,923 A 9/2000 Ma  
 6,119,883 A 9/2000 Hock et al.  
 6,371,317 B1 4/2002 Krueger  
 6,484,896 B2 11/2002 Ma  
 D481,314 S \* 10/2003 Noonan ..... D9/438  
 6,673,298 B2 1/2004 Krueger  
 6,726,042 B2 4/2004 Schweigert et al.  
 6,739,466 B1 5/2004 Culley  
 6,766,916 B2 7/2004 Ma  
 6,817,276 B1 \* 11/2004 Kowal ..... 83/881  
 7,059,485 B1 6/2006 Reidenbach  
 D525,125 S \* 7/2006 King ..... D9/452  
 7,222,741 B2 5/2007 Chmela et al.  
 D550,084 S \* 9/2007 King ..... D9/504  
 7,344,039 B2 3/2008 Bixler et al.  
 D573,022 S \* 7/2008 Berman ..... D9/453  
 7,445,130 B2 11/2008 Bosl et al.  
 D584,149 S \* 1/2009 Lohrman et al. .... D9/453

7,513,377 B1 4/2009 Culley  
 7,527,161 B2 5/2009 Rodriguez et al.  
 7,775,386 B2 8/2010 Falzoni  
 7,878,351 B2 2/2011 Falzoui et al.  
 D633,386 S \* 3/2011 Taber et al. .... D9/453  
 D634,199 S 3/2011 Taber et al.  
 8,231,018 B2 7/2012 Gassner  
 8,231,020 B2 \* 7/2012 Taber et al. .... 215/305  
 D680,001 S \* 4/2013 Miceli et al. .... D9/453  
 D681,465 S \* 5/2013 Cox et al. .... D9/453  
 D684,470 S \* 6/2013 Concini et al. .... D9/453  
 D688,128 S \* 8/2013 Krause ..... D9/453  
 D693,685 S \* 11/2013 Ramsey et al. .... D9/453  
 2002/0079618 A1 \* 6/2002 Krueger ..... 264/328.1  
 2004/0026288 A1 2/2004 Zumbuhl  
 2004/0040928 A1 \* 3/2004 Noonan ..... 215/252  
 2004/0060891 A1 \* 4/2004 Nishida ..... 215/252  
 2005/0029217 A1 2/2005 Dai  
 2006/0032831 A1 \* 2/2006 Major ..... 215/350  
 2008/0264894 A1 \* 10/2008 Loughrin et al. .... 215/256  
 2009/0057262 A1 \* 3/2009 Cho ..... 215/252  
 2010/0032402 A1 2/2010 Widmer et al.  
 2012/0018401 A1 \* 1/2012 Win ..... 215/252  
 2012/0031871 A1 \* 2/2012 Molinaro et al. .... 215/44  
 2013/0001185 A1 \* 1/2013 Antier et al. .... 215/252  
 2014/0158660 A1 \* 6/2014 Wood et al. .... 215/252

FOREIGN PATENT DOCUMENTS

IT MO2010A000360 12/2010  
 JP 2001-146244 5/2001  
 WO WO 00/34133 6/2000  
 WO WO 2005/014414 2/2005  
 WO WO 2005/067588 7/2005

\* cited by examiner

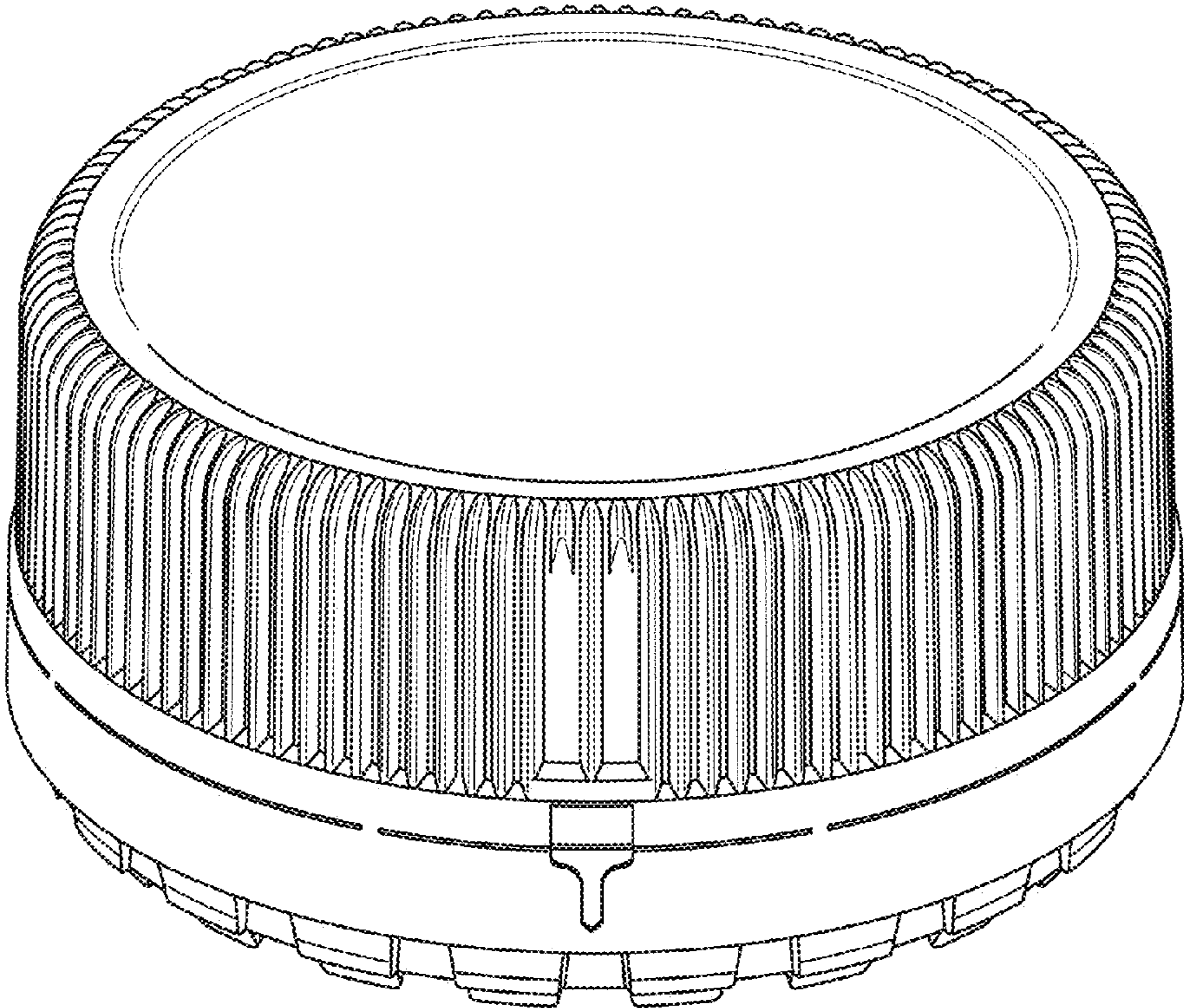


FIG. 1



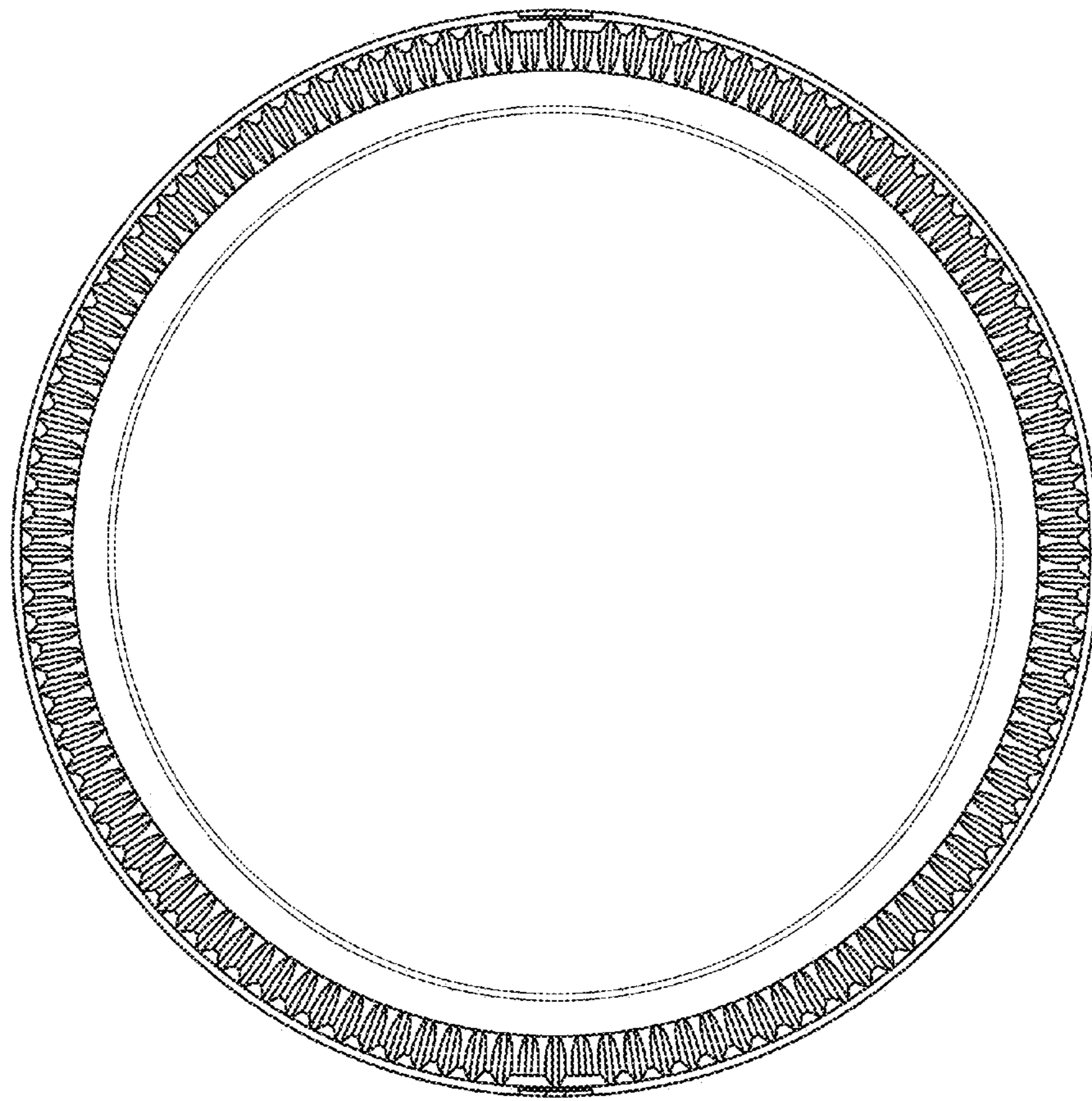


FIG. 2

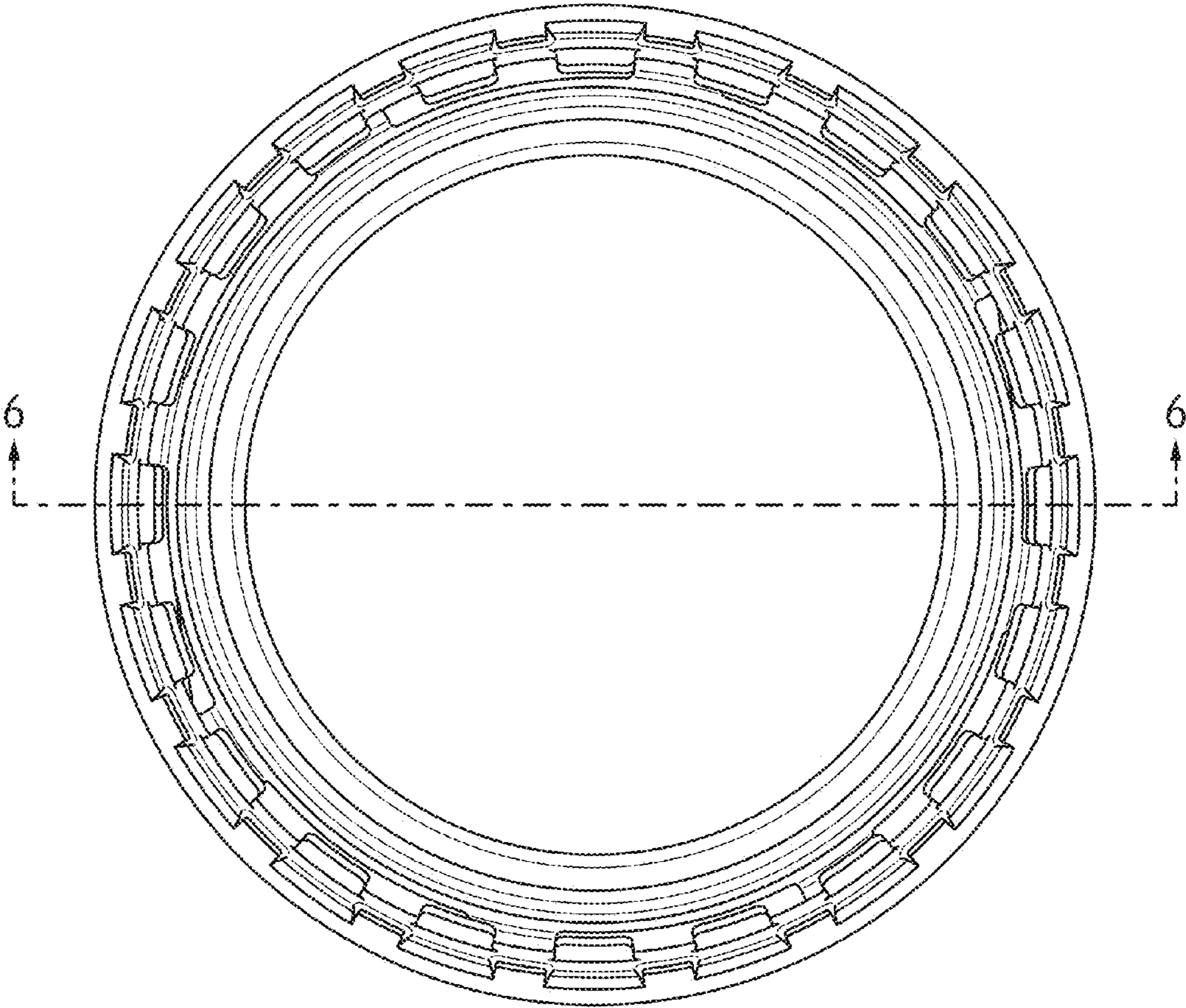


FIG. 3

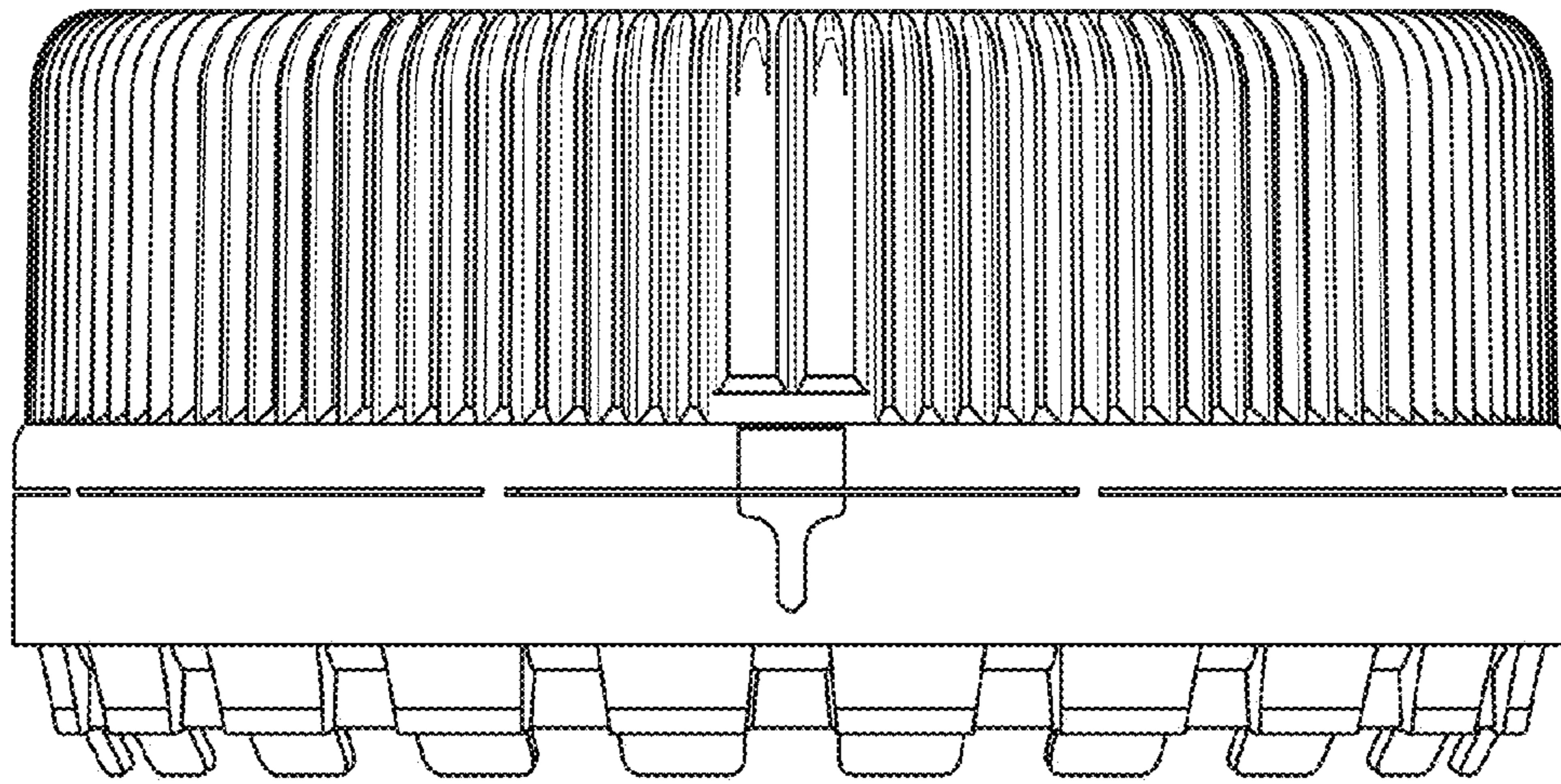


FIG. 4

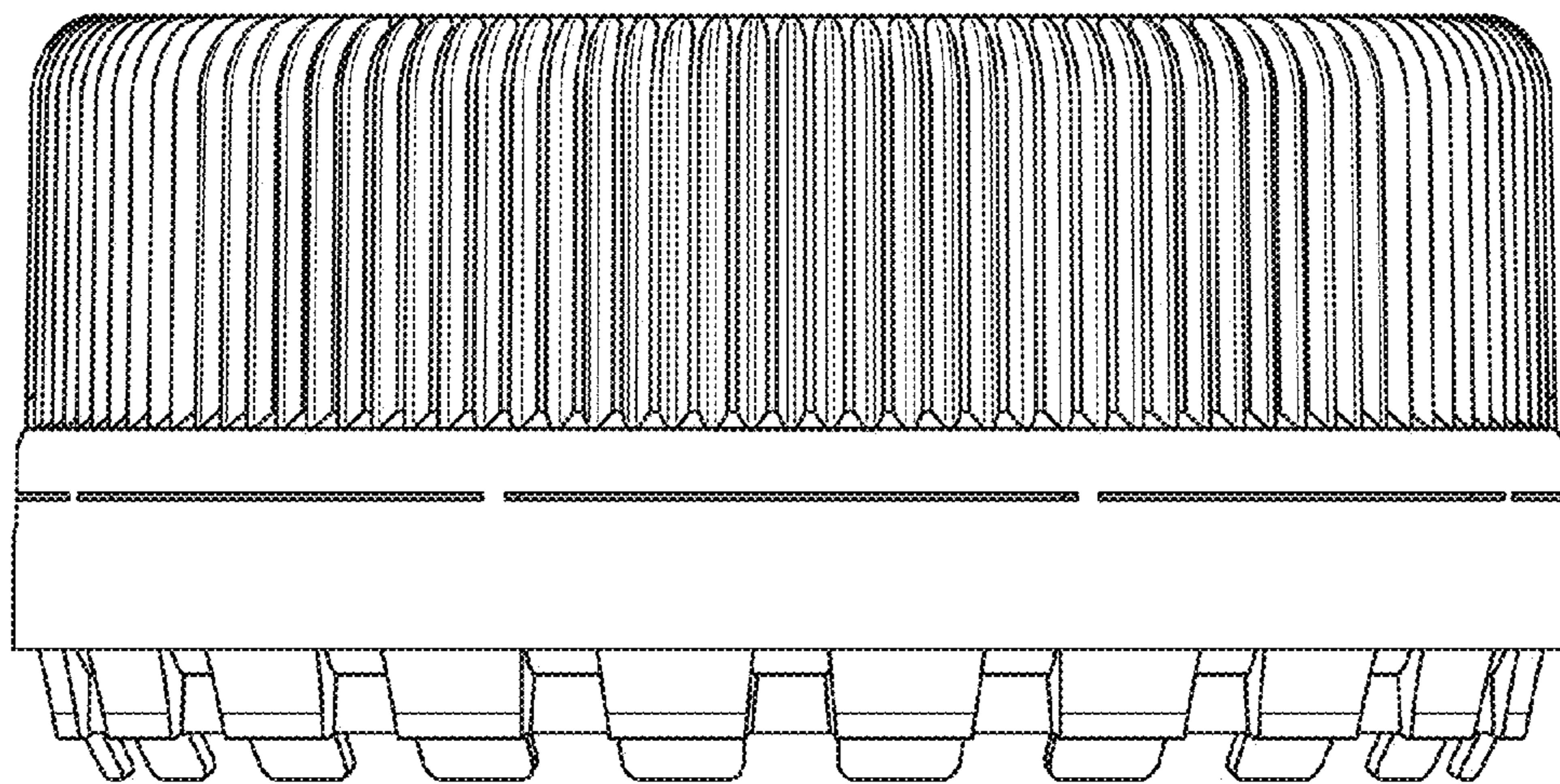


FIG. 5



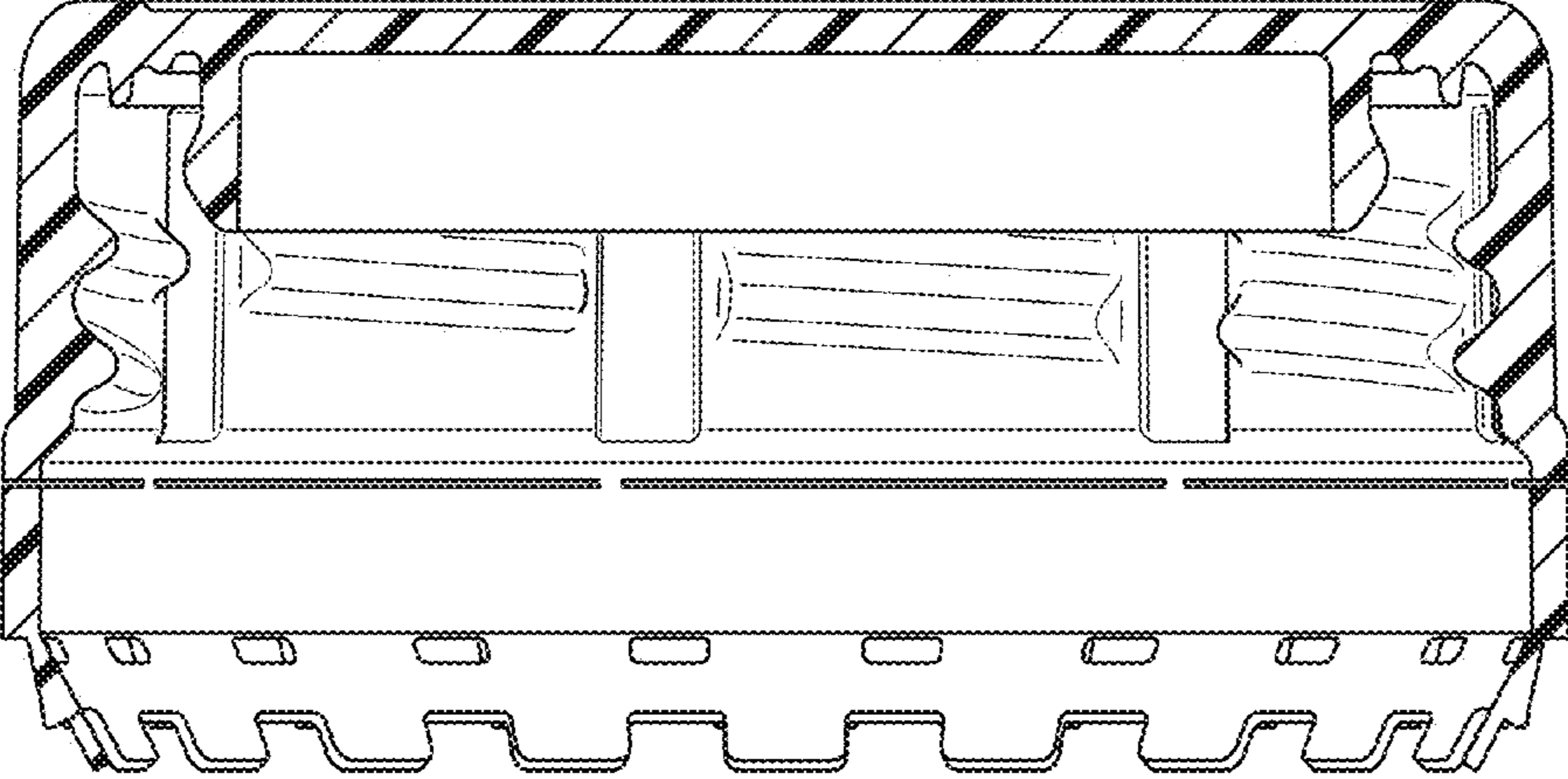


FIG. 6

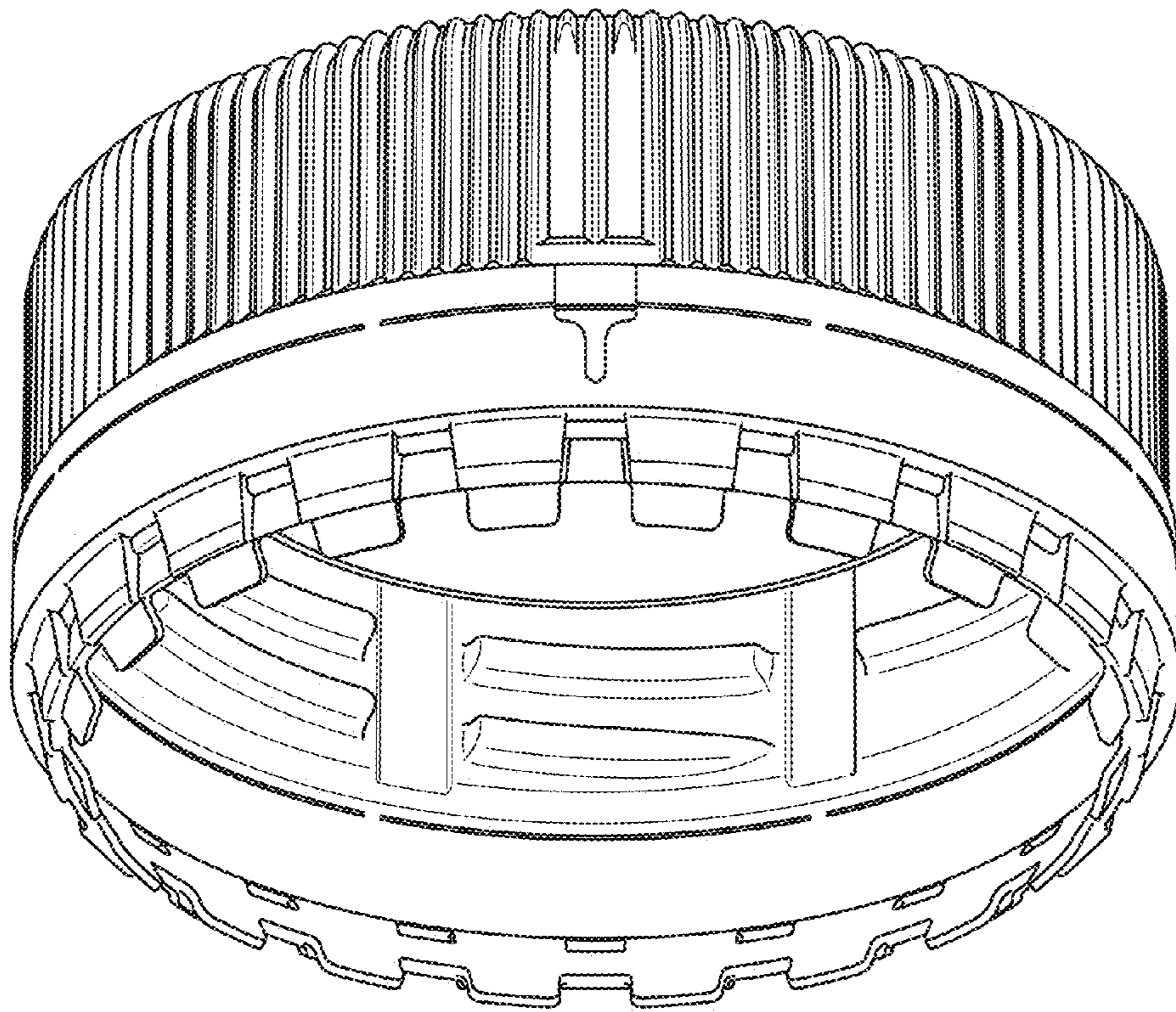


FIG. 7