



US00D723918S

(12) **United States Design Patent**  
**Karl, IV et al.**

(10) **Patent No.:** **US D723,918 S**  
(45) **Date of Patent:** **\*\* Mar. 10, 2015**

(54) **CLOSURE FOR CONTAINER**

(71) Applicant: **Penguin Brands, Inc.**, Sharon Hill, PA  
(US)

(72) Inventors: **Adams Peter Karl, IV**, Burlington, VT  
(US); **Bradley P. Fishkin**, Burlington,  
VT (US); **James Creath Frazier**,  
Hinesburg, VT (US)

(73) Assignee: **Nathan Sports, Inc.**, Sharon Hill, PA  
(US)

(\*\*) Term: **14 Years**

(21) Appl. No.: **29/457,417**

(22) Filed: **Jun. 10, 2013**

(51) **LOC (10) Cl.** ..... **09-07**

(52) **U.S. Cl.**  
USPC ..... **D9/451; D9/447**

(58) **Field of Classification Search**  
USPC ..... D7/514-520, 613, 619.2, 623, 628,  
D7/392.1; D9/600, 655-663, 434-435,  
D9/439-441, 447-451; 206/494, 457,  
206/459.1, 459.5; 215/203, 230, 387-400

See application file for complete search history.

(56) **References Cited**

U.S. PATENT DOCUMENTS

4,141,474 A	2/1979	Nilson
6,571,994 B1	6/2003	Adams et al.
6,749,092 B2	6/2004	Olechowski et al.
2006/0180585 A1	8/2006	Cunningham et al.
2013/0026196 A1	1/2013	Essebaggers et al.

FOREIGN PATENT DOCUMENTS

CN 102344012 A 2/2012

*Primary Examiner* — Sandra Morris

(74) *Attorney, Agent, or Firm* — Ballard Spahr LLP

(57) **CLAIM**

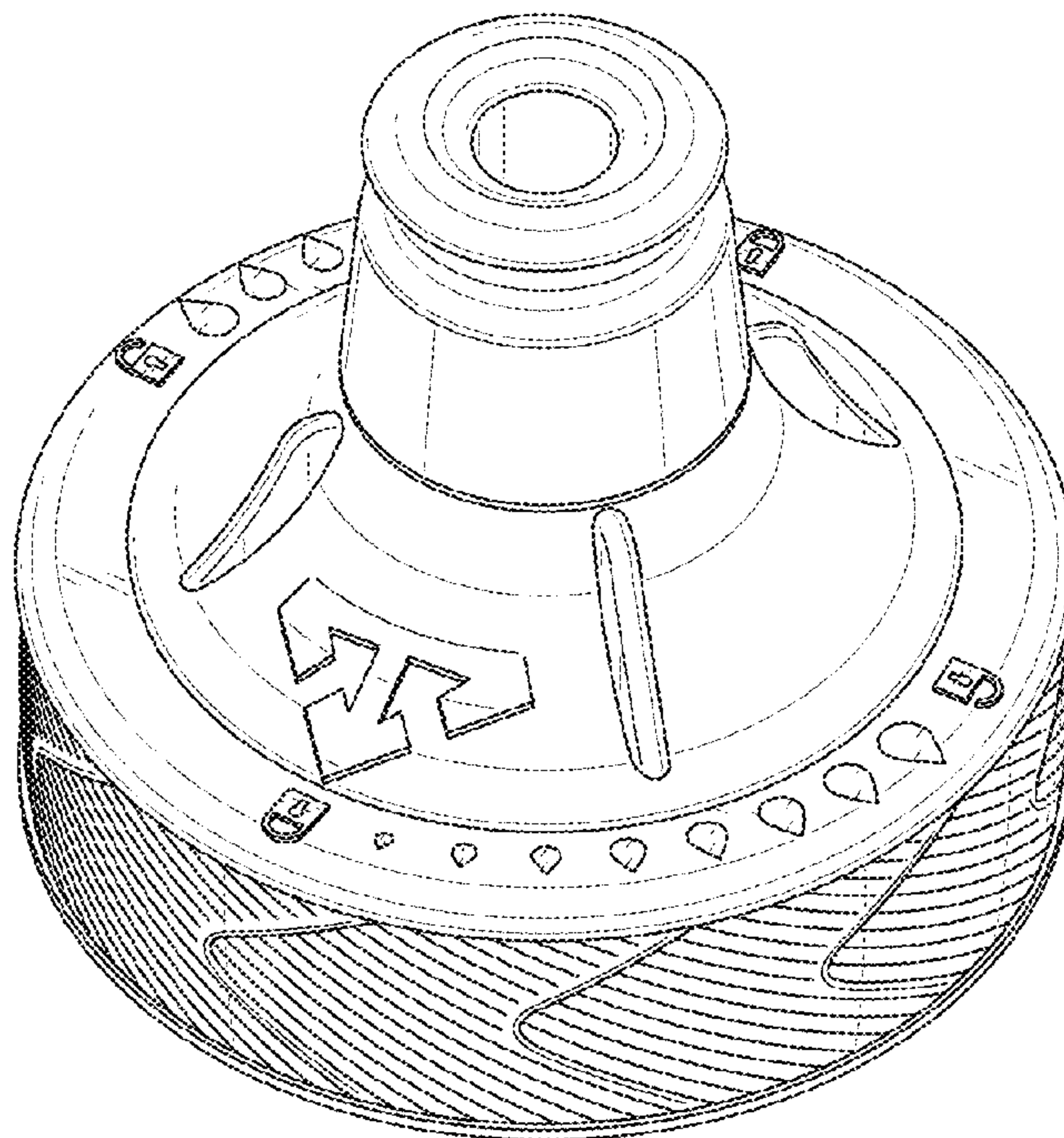
We claim the ornamental design for a closure for container, as shown and described.

**DESCRIPTION**

FIG. 1 is an isometric view of a design of a closure for container according to our invention;  
FIG. 2 is a front view of the closure for container shown in FIG. 1, the back view being identical;  
FIG. 3 is a left side view of the closure for container shown in FIG. 1, the right side view being identical;  
FIG. 4 is a top view of the closure for container shown in FIG. 1; and,  
FIG. 5 is a bottom view of the closure for container shown in FIG. 1.

The broken lines shown in FIG. 5 are for illustrative purposes only and form no part of the claimed design.

**1 Claim, 5 Drawing Sheets**



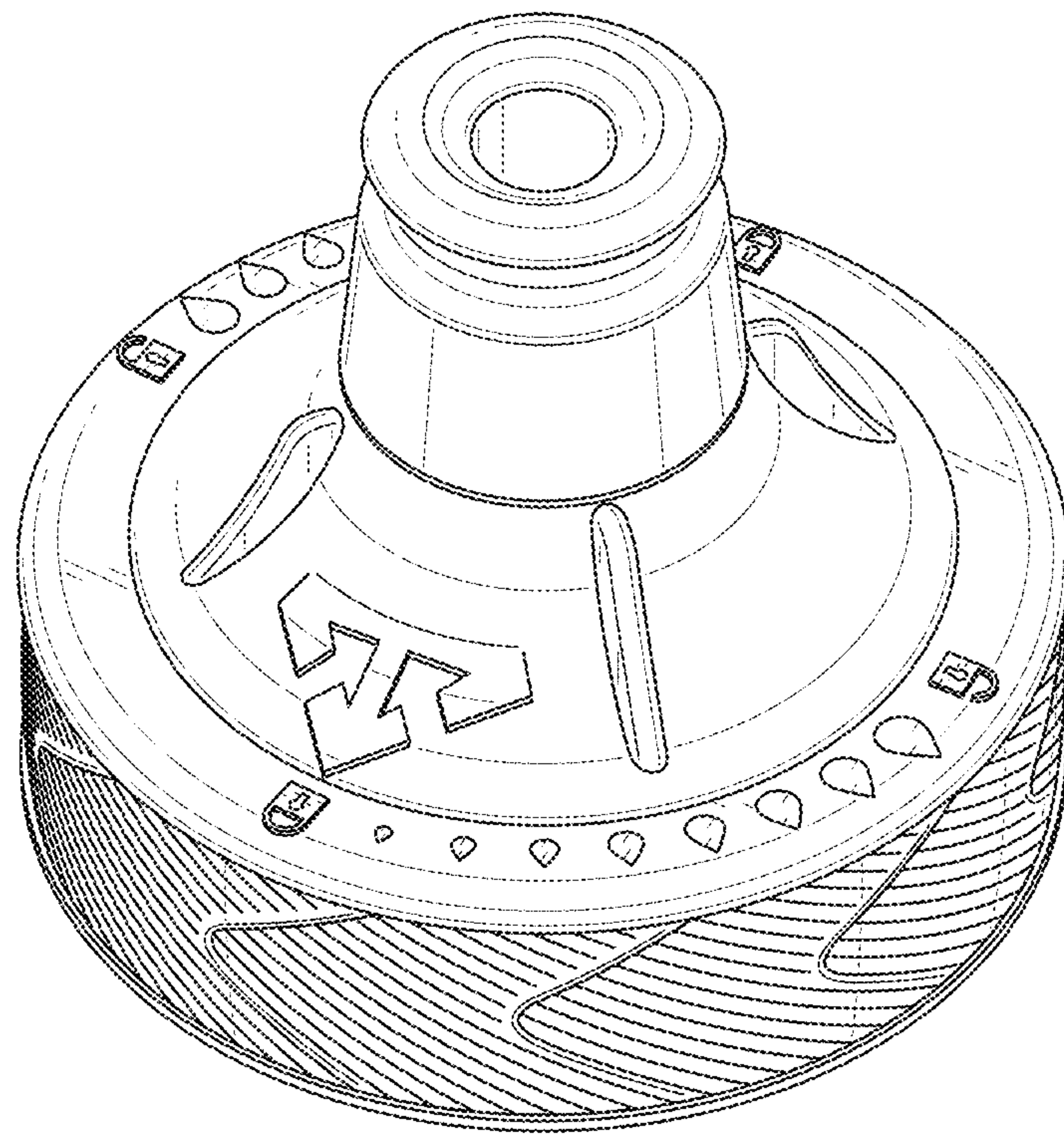


FIG. 1

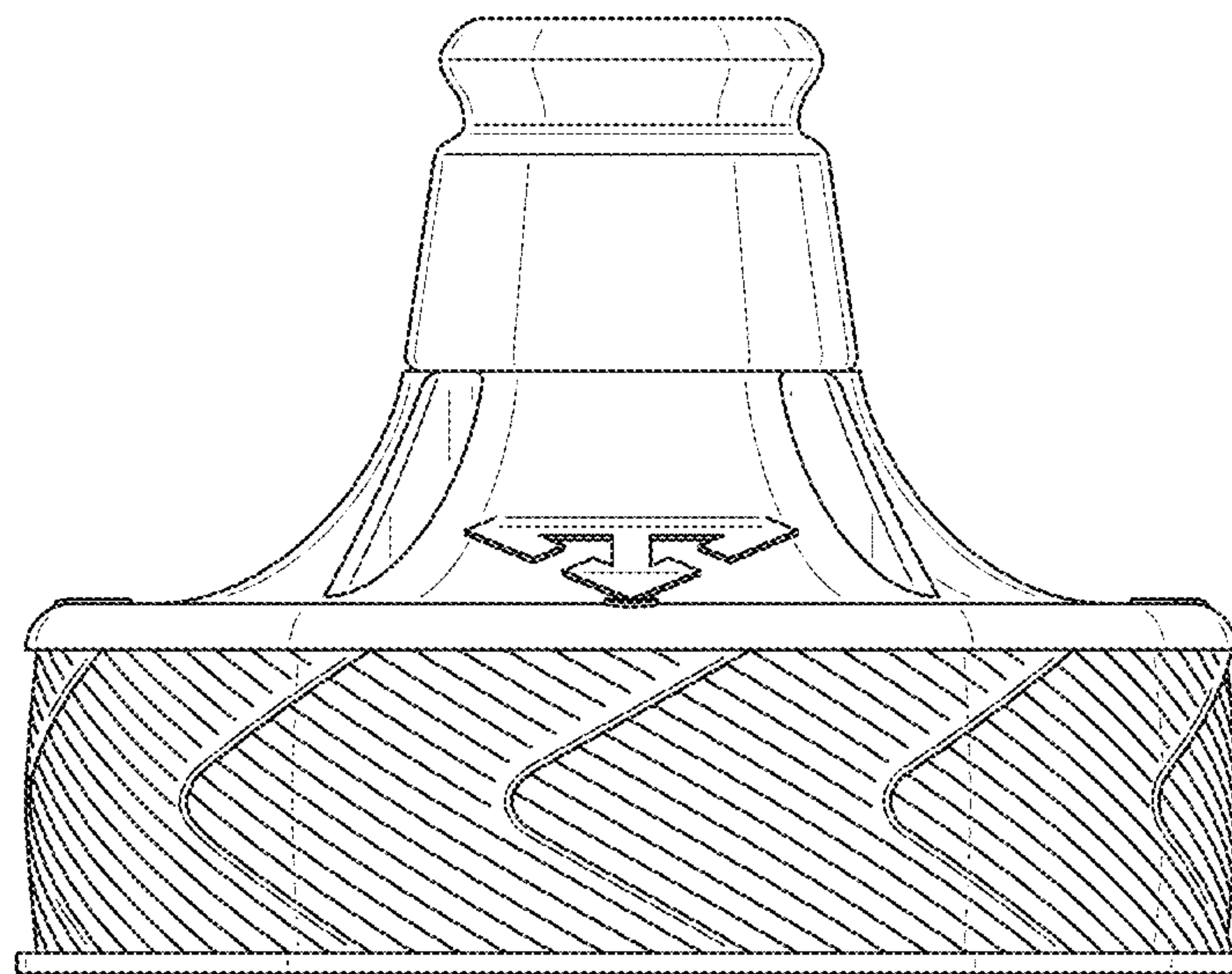


FIG. 2

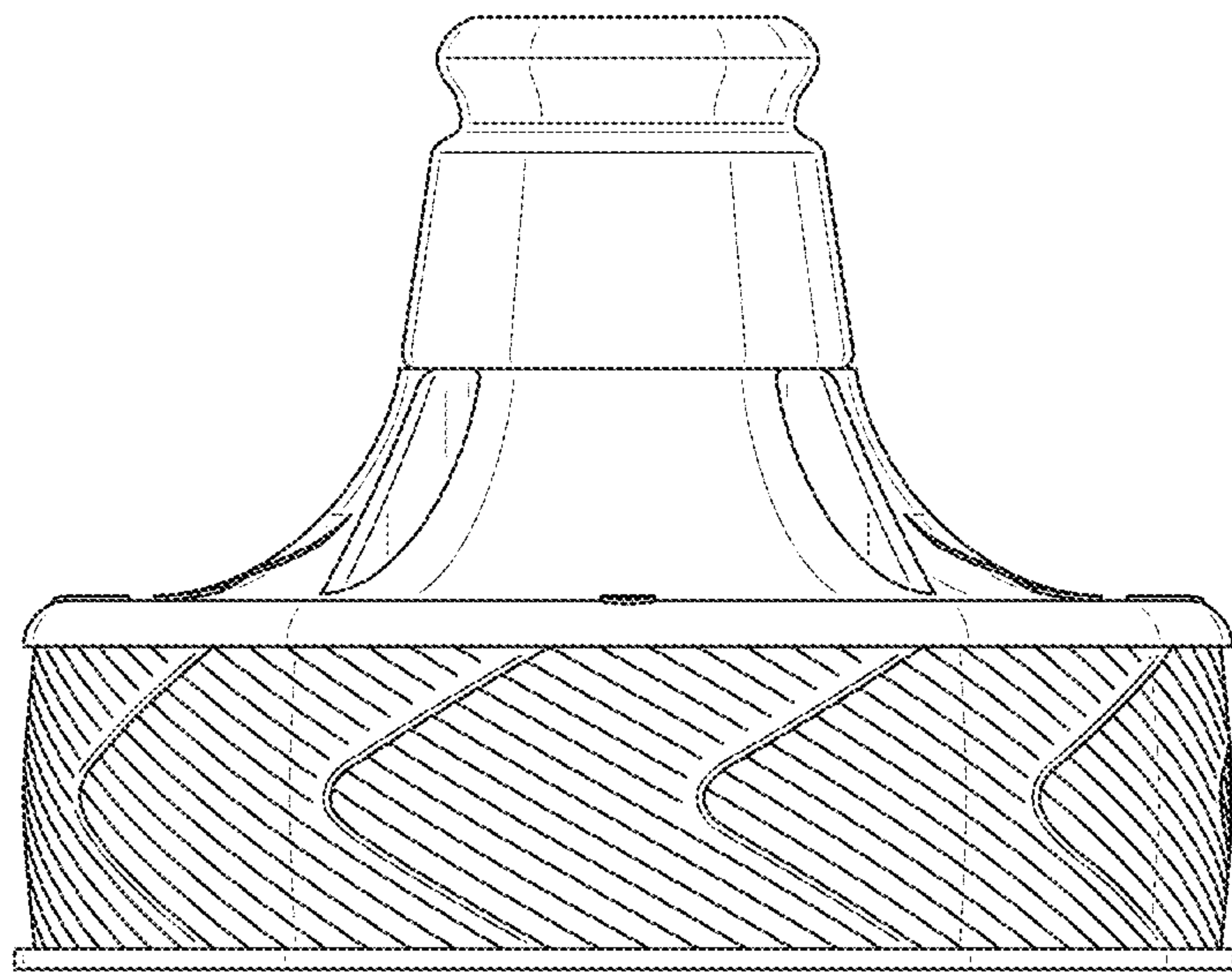


FIG. 3



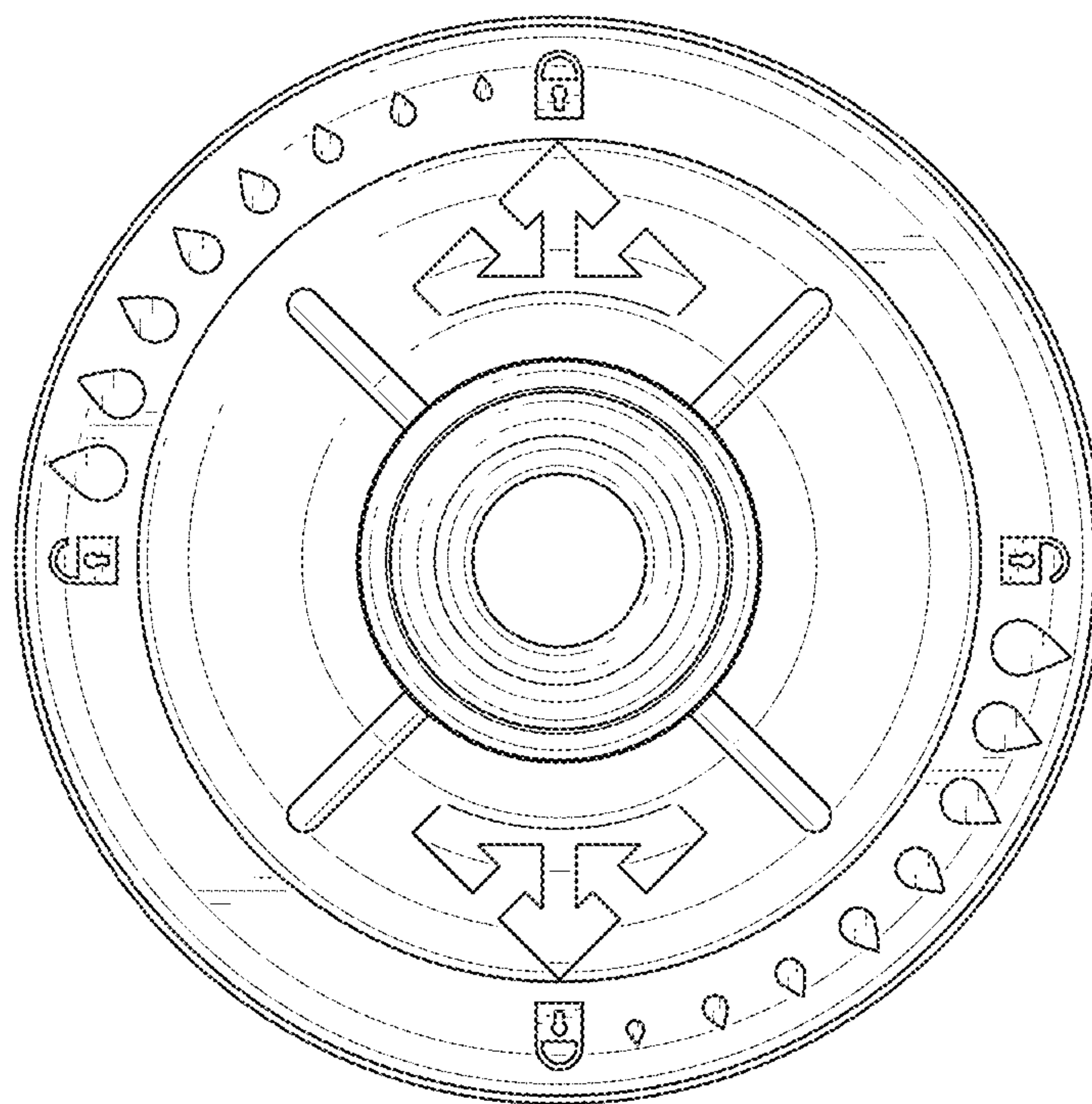


FIG. 4

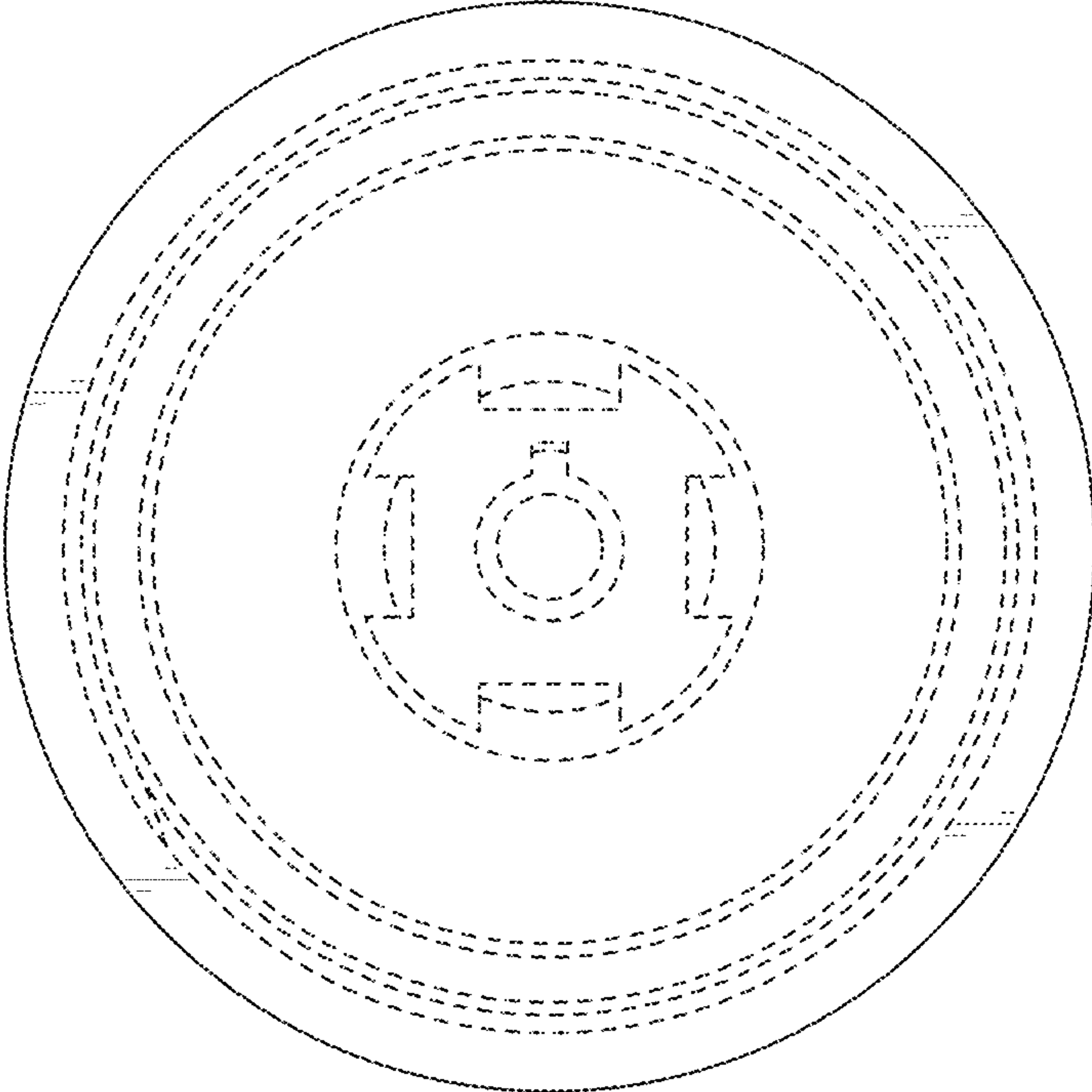


FIG. 5