



US00D723916S

(12) **United States Design Patent**  
**Hughes et al.**

(10) **Patent No.:** **US D723,916 S**  
(45) **Date of Patent:** **\*\* Mar. 10, 2015**

(54) **CAP COVER**

- (71) Applicant: **Euro-Pro Operating LLC**, Newton, MA (US)
- (72) Inventors: **William Scott Hughes**, Waltham, MA (US); **James E. McCay**, Fairfield, CT (US); **James Troy Starkey**, North Haven, CT (US)
- (73) Assignee: **Euro-Pro Operating LLC**, Newton, MA (US)
- (\*\*) Term: **14 Years**
- (21) Appl. No.: **29/466,821**
- (22) Filed: **Sep. 11, 2013**
- (51) **LOC (10) Cl.** ..... **09-01**
- (52) **U.S. Cl.**  
USPC ..... **D9/445**
- (58) **Field of Classification Search**  
USPC ..... D7/300.1, 302, 398.1, 602, 605, 608, D7/622; D9/435, 436, 440, 443, 445, 447, D9/449, 454, 455, 499, 528, 530, 531, 534, D9/537, 549, 550, 563, 575, 719, 742, D9/753; 206/142, 143, 154, 156; 215/45, 215/206, 224, 240, 258, 305, 382, 387, 390, 215/396, 398, 398.1; 220/200, 212.5, 521, 220/710.5, 711, 757, 762, 764; 222/111, 222/519, 601, 602

See application file for complete search history.

(56) **References Cited**

U.S. PATENT DOCUMENTS

D221,064	S	*	7/1971	Warren	.....	D9/436
D483,263	S	*	12/2003	Carter et al.	.....	D9/448
D619,009	S	*	7/2010	Heath et al.	.....	D9/530
D628,481	S	*	12/2010	Maddy	.....	D9/435
7,909,193	B2	*	3/2011	Heath et al.	.....	220/212.5
D638,534	S	*	5/2011	Moga et al.	.....	D24/113
2014/0166682	A1	*	6/2014	Huffer	.....	220/780

\* cited by examiner

*Primary Examiner* — Robert M Spear

*Assistant Examiner* — Darcey E Heflin

(74) *Attorney, Agent, or Firm* — Wolf, Greenfield & Sacks, P.C.

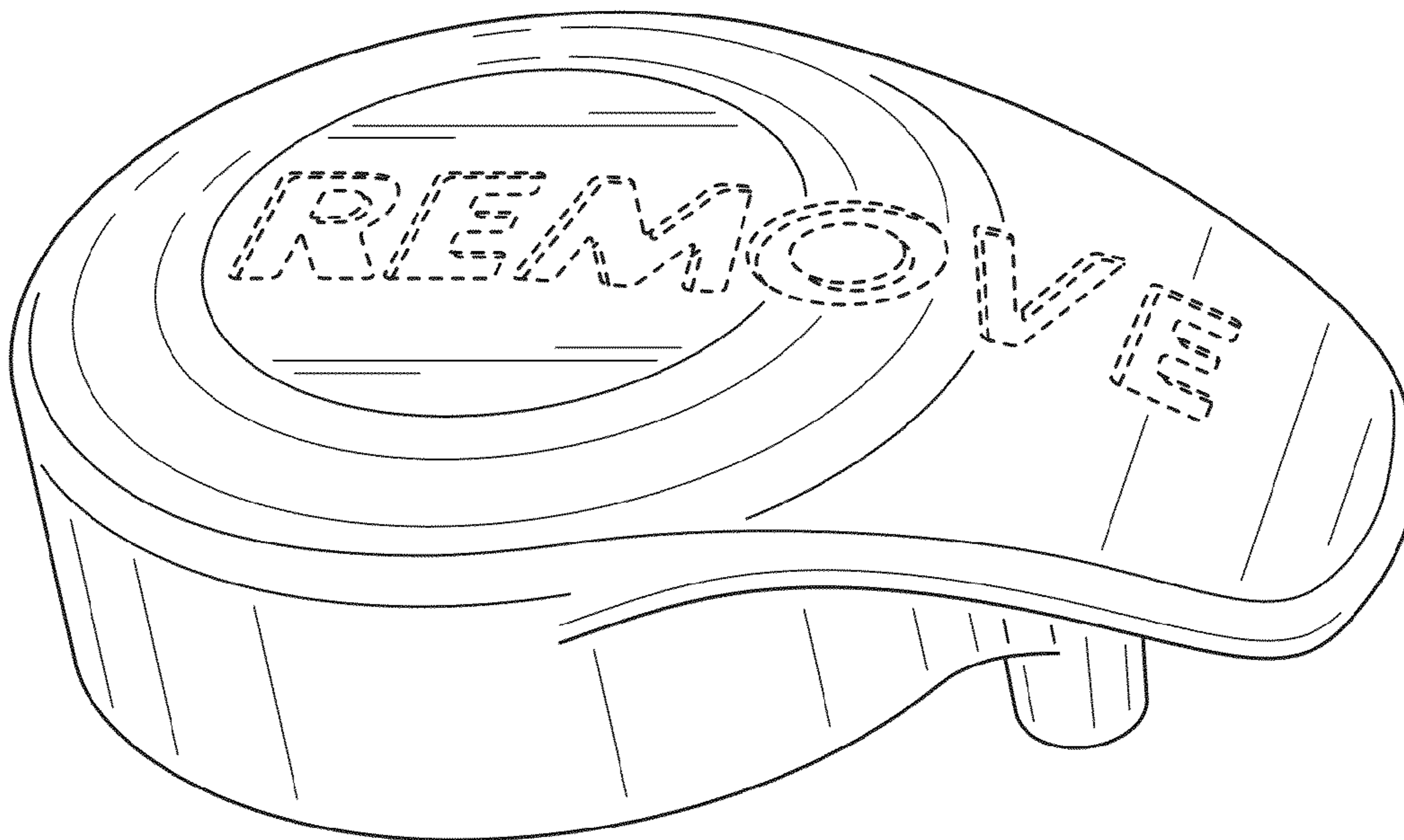
(57) **CLAIM**

The ornamental design for a cap cover, as shown and described.

**DESCRIPTION**

FIG. 1 is a bottom, front, right side perspective view of a cap cover showing our new design;  
 FIG. 2 is a front elevational view thereof;  
 FIG. 3 is a rear elevational view thereof;  
 FIG. 4 is a left side elevational view thereof;  
 FIG. 5 is a right side elevational view thereof;  
 FIG. 6 is a top plan view thereof; and,  
 FIG. 7 is a bottom plan view thereof.  
 The broken lines of FIGS. 1-3 and 5 illustrate portions of the cap cover that form no part of the claimed design.

**1 Claim, 5 Drawing Sheets**



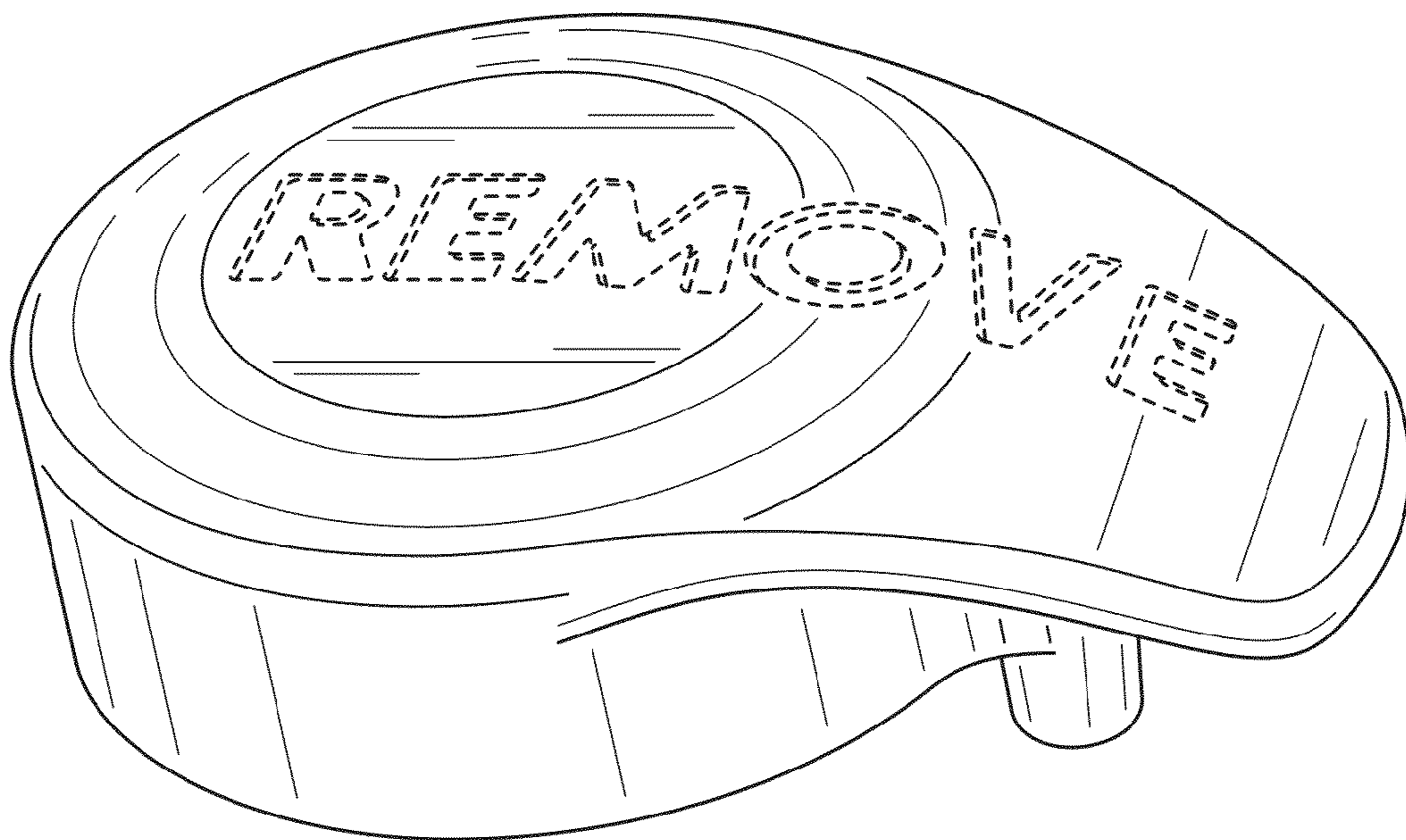


FIG. 1

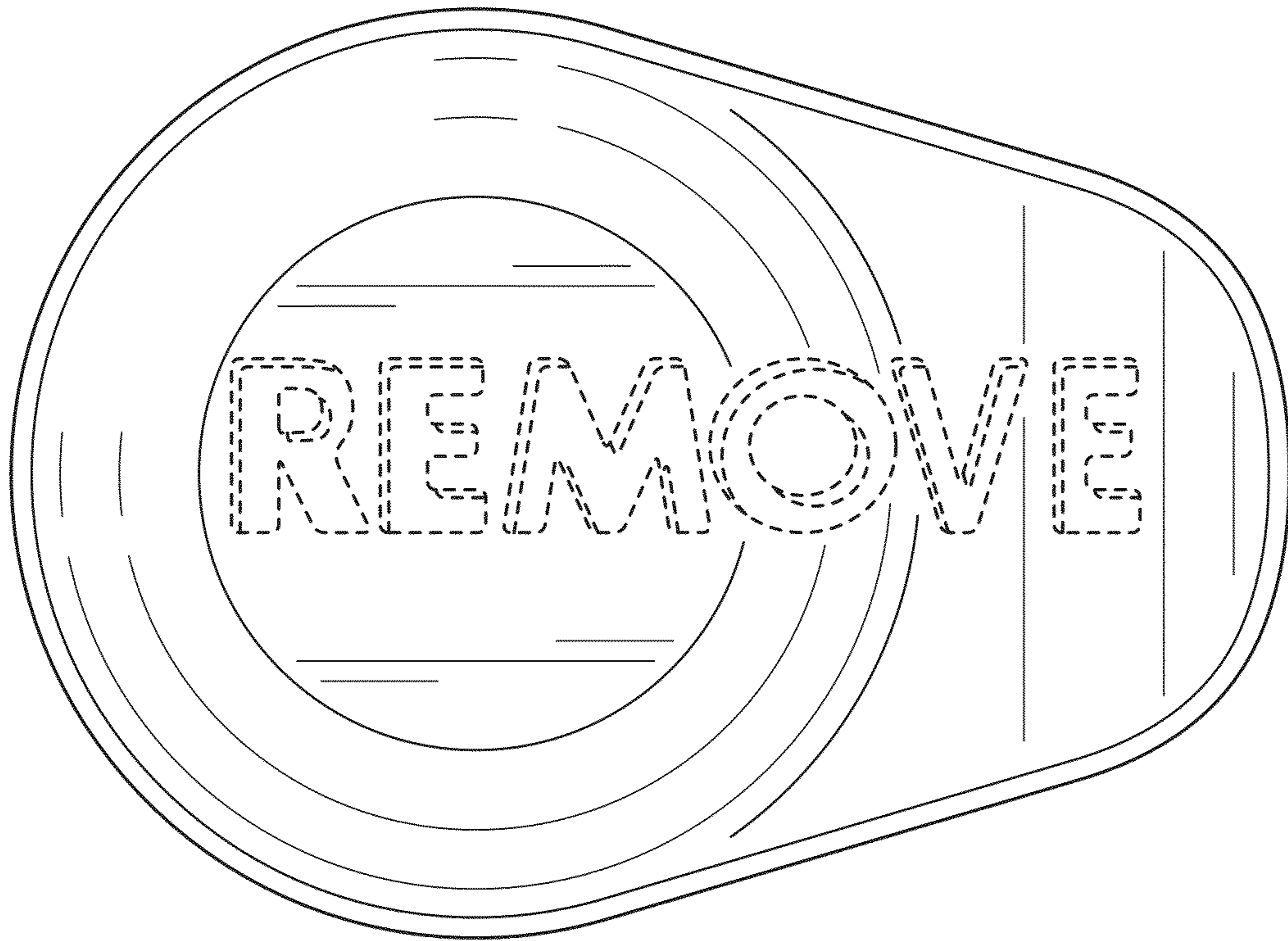


FIG. 2

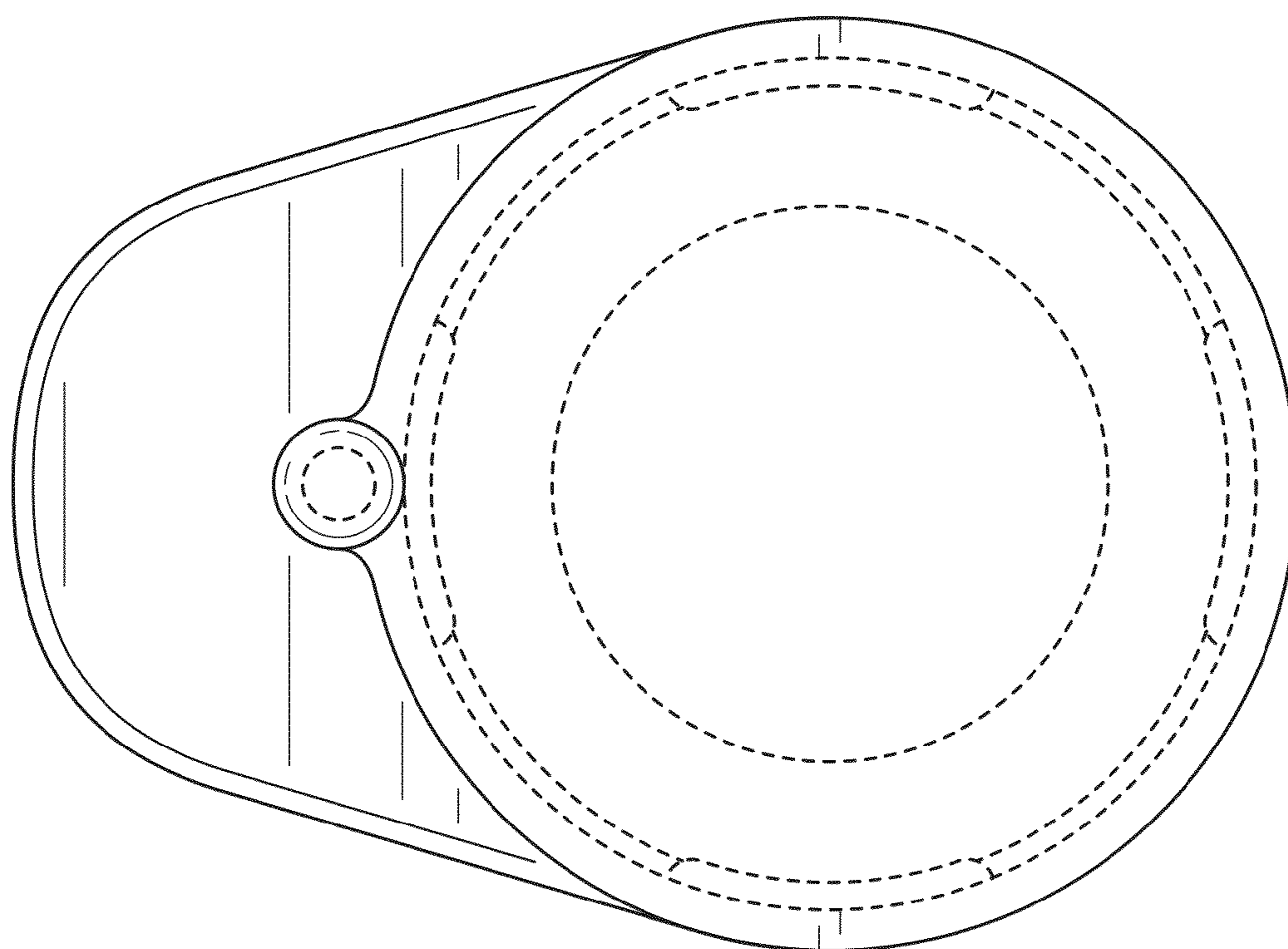


FIG. 3

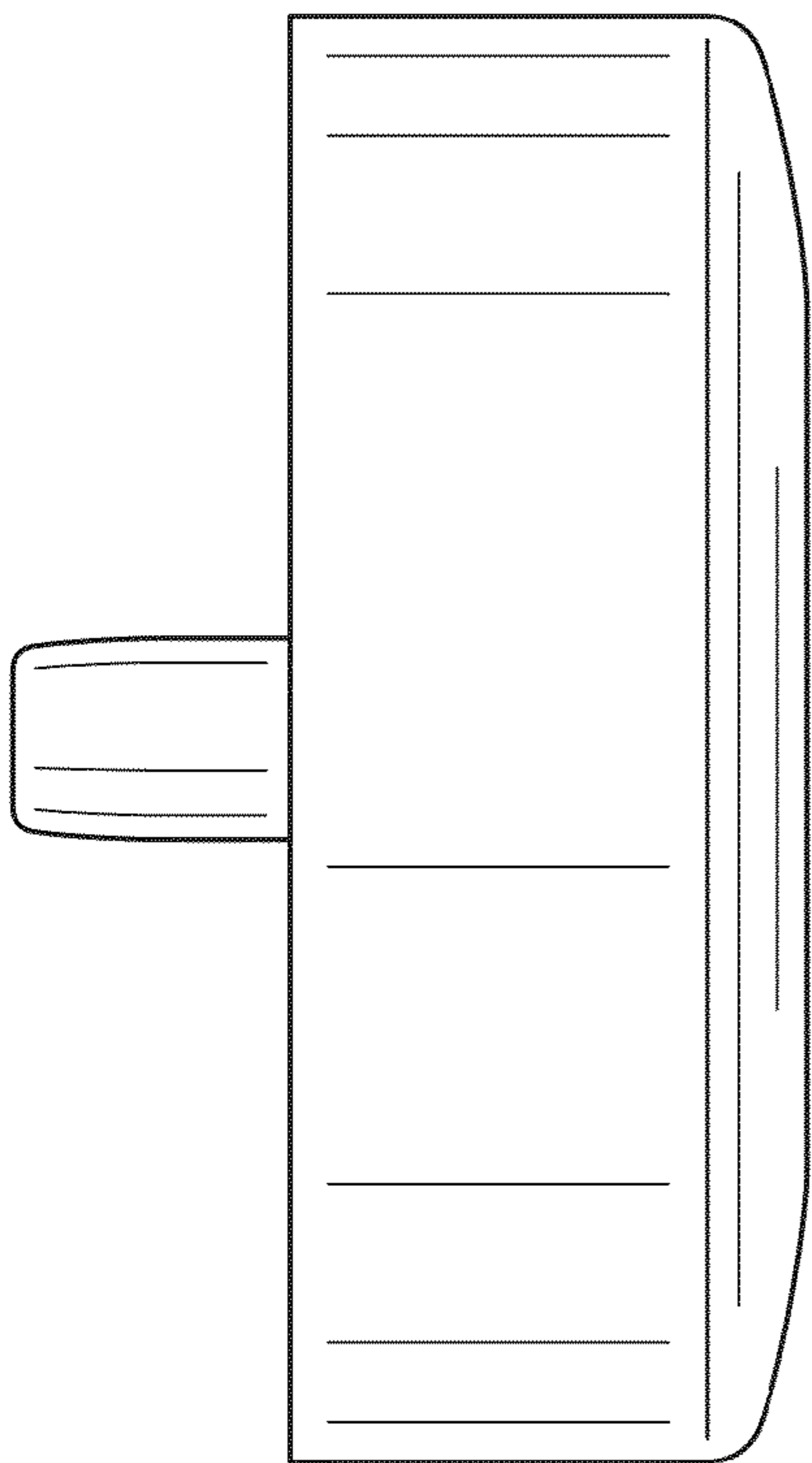


FIG. 4

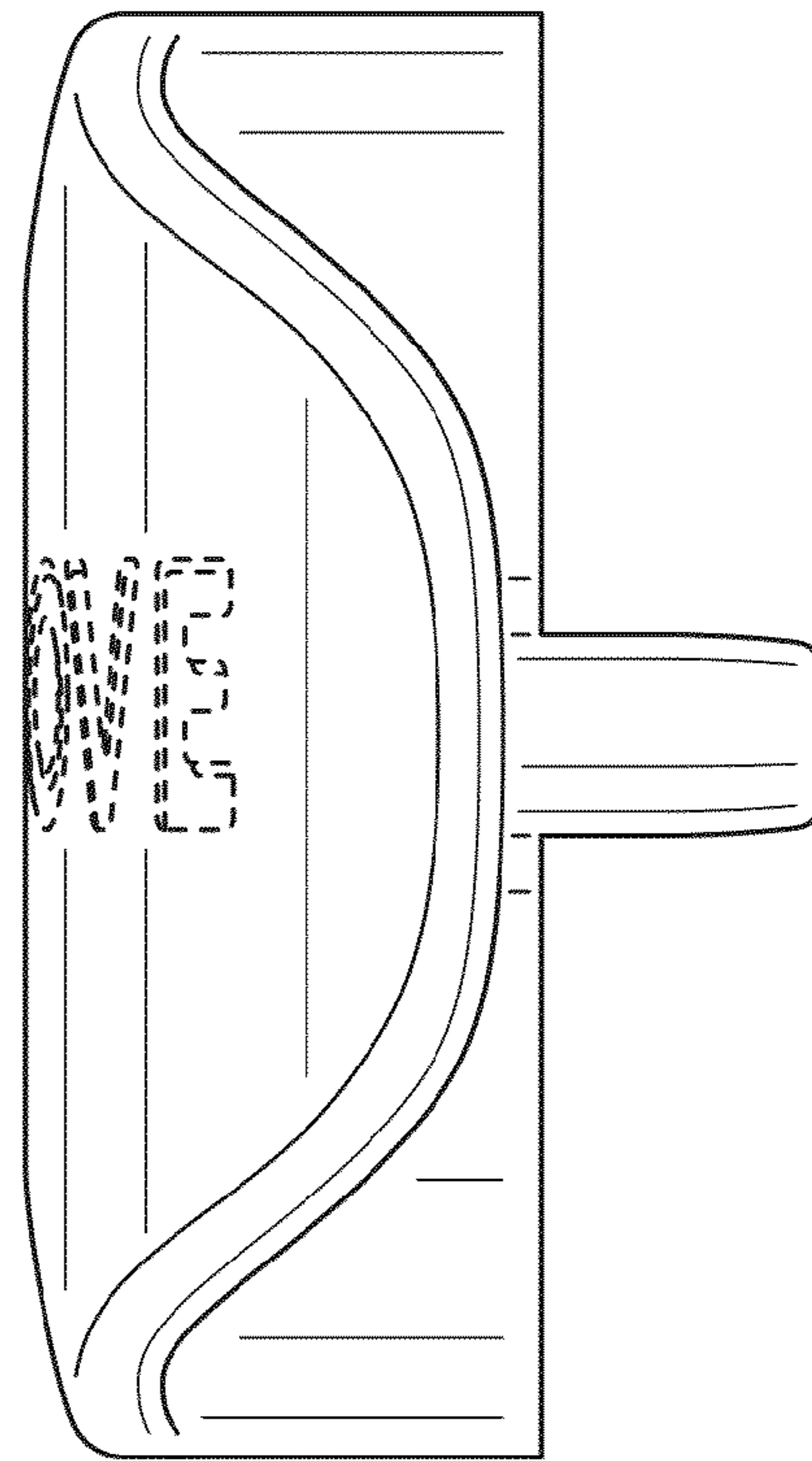


FIG. 5

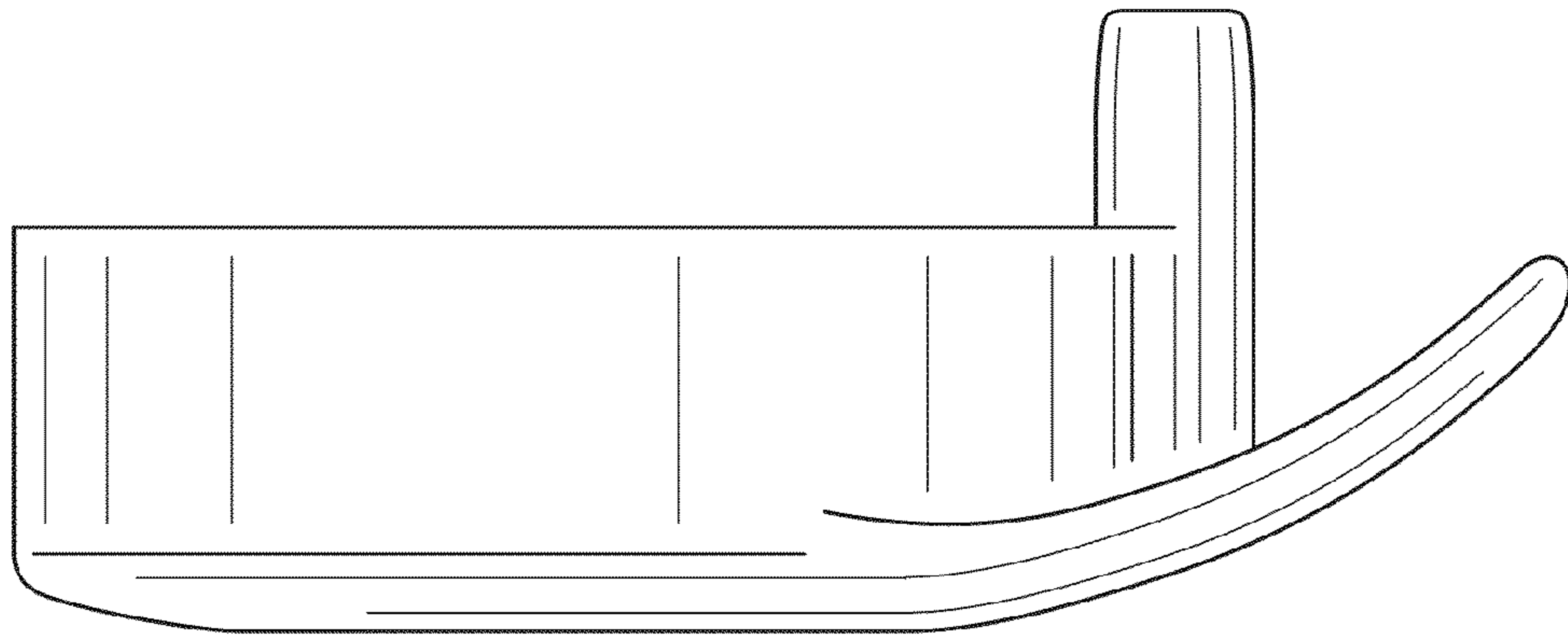


FIG. 6

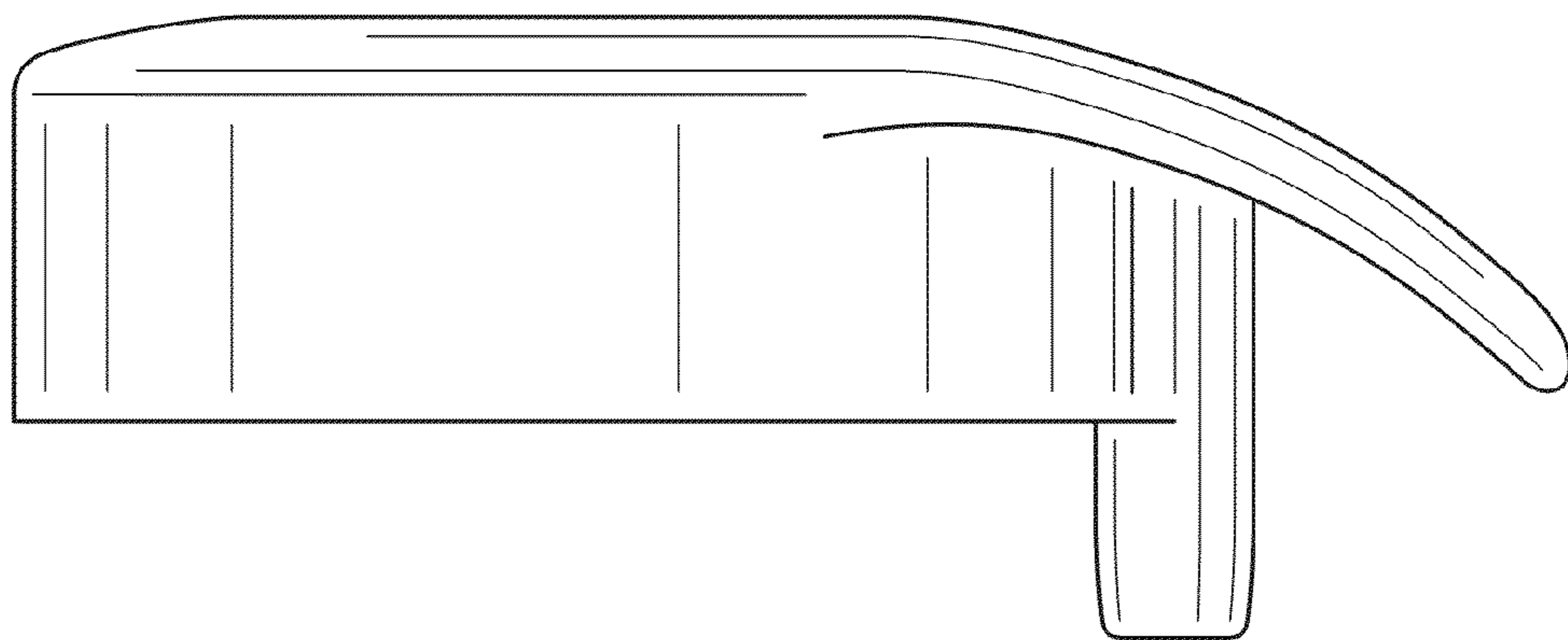


FIG. 7