



US00D723915S

(12) **United States Design Patent**
Abel et al.

(10) **Patent No.:** **US D723,915 S**
(45) **Date of Patent:** **** Mar. 10, 2015**

(54) **ABSORBENT ARTICLE PACKAGE**

(71) Applicant: **The Procter & Gamble Company,**
Cincinnati, OH (US)

(72) Inventors: **Danielle Lee Abel,** Cincinnati, OH (US);
Randall Eugene Houser, West Harrison,
IN (US); **Catherine Suzanne Sonnett,**
Norwood, OH (US)

(73) Assignee: **The Procter & Gamble Company,**
Cincinnati, OH (US)

(**) Term: **14 Years**

(21) Appl. No.: **29/471,186**

(22) Filed: **Oct. 29, 2013**

Related U.S. Application Data

(62) Division of application No. 29/401,282, filed on Sep.
9, 2011, now abandoned.

(51) **LOC (10) Cl.** **09-07**

(52) **U.S. Cl.**
USPC **D9/434**

(58) **Field of Classification Search**

USPC D9/414, 418, 420, 423, 424, 425, 427,
D9/430, 432, 433, 434, 435, 456, 629, 707,
D9/734, 623, 658, 667; D7/354; D6/515,
D6/518; D3/294, 302; D27/189; 383/42;
220/4.23, 265, 268, 409, 482, 494,
220/776, 778, 784; 206/769, 776

See application file for complete search history.

(56) **References Cited**

U.S. PATENT DOCUMENTS

D69,625 S 3/1926 Anderson
D259,102 S 5/1981 Grodin

D446,717 S 8/2001 Lancaster et al.
D472,142 S 3/2003 Weinmann
D480,634 S 10/2003 Caroan
D480,635 S 10/2003 Caroan
D480,636 S 10/2003 Caroan
D496,859 S 10/2004 Hamuro et al.
D514,437 S * 2/2006 Kim D9/416
D527,250 S 8/2006 Conrad et al.
D527,253 S 8/2006 Hamuro et al.
D540,163 S 4/2007 Claussen
D554,500 S 11/2007 Bone et al.
D562,125 S 2/2008 Kienemund-Paroll

(Continued)

OTHER PUBLICATIONS

U.S. Appl. No. 29/471,191 , filed Oct. 29, 2013, Abel, et al.

(Continued)

Primary Examiner — Robert M Spear

(74) *Attorney, Agent, or Firm* — George H. Leal; Megan C.
Hymore

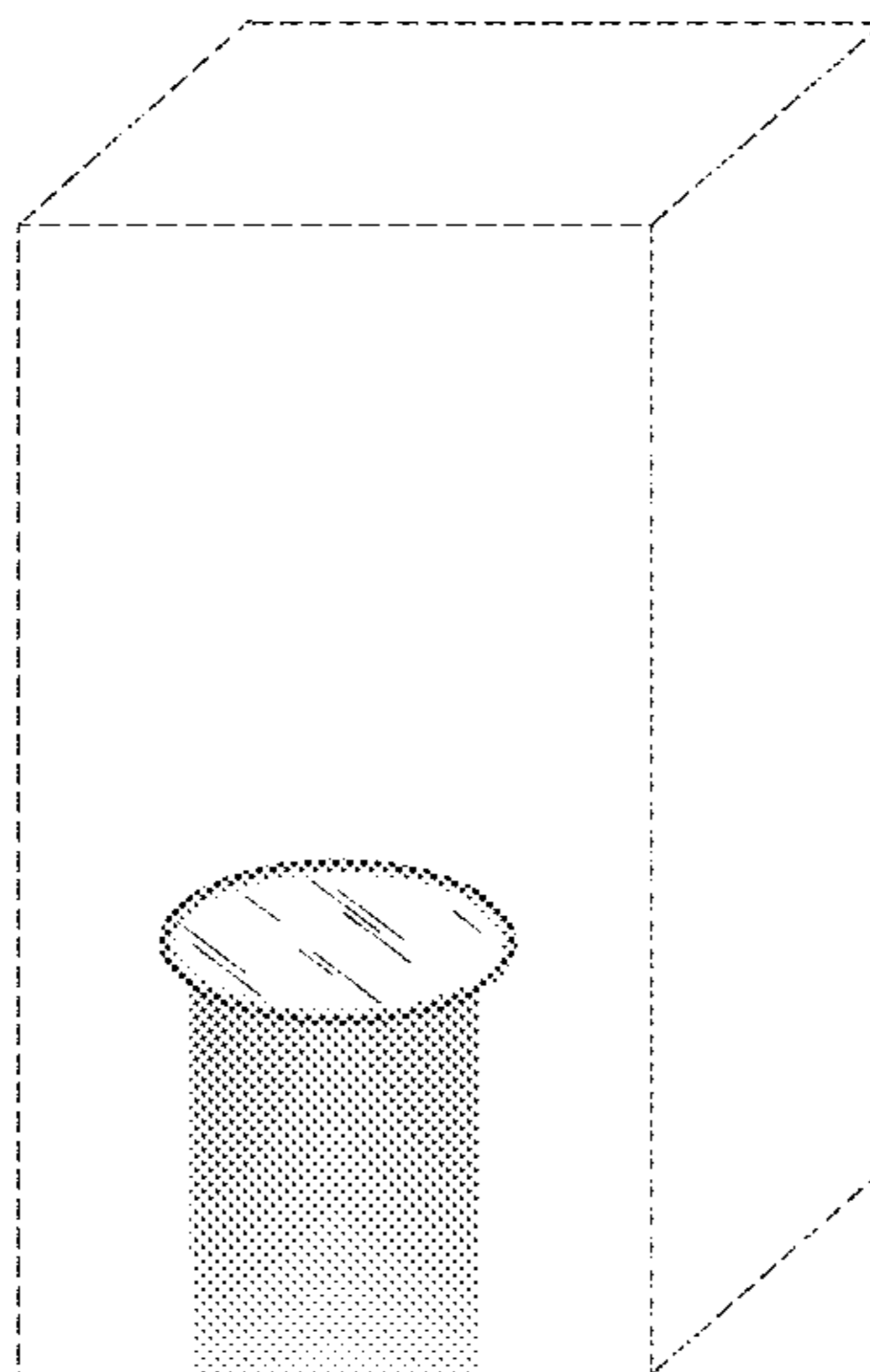
(57) **CLAIM**

The ornamental design for an absorbent article package, as
shown and described.

DESCRIPTION

FIG. 1 is a perspective front view of an absorbent article
package embodying the new design;
FIG. 2 is a front view of the design shown in FIG. 1;
FIG. 3 is a right side view of the design shown in FIG. 1; the
left side and back views are the same and thus omitted; and
FIG. 4 is a top view of the design shown in FIG. 1; the bottom
view is the same and is thus omitted; and,
FIG. 5 is a front view of the design shown in FIG. 2 without
the environmental subject matter for the sake of clarity.
The broken lines in the drawings represent unclaimed envi-
ronmental subject matter and form no part of the claim.

1 Claim, 5 Drawing Sheets



(56)

References Cited

U.S. PATENT DOCUMENTS

D562,126 S 2/2008 Kienemund-Paroll
D571,653 S 6/2008 Kienemund-Paroll
D576,031 S 9/2008 Bone et al.
D576,873 S 9/2008 Kim
D590,253 S 4/2009 Seol et al.
7,546,924 B2 * 6/2009 Oliveira 206/784
D599,201 S 9/2009 Seol et al.
D599,657 S 9/2009 Bruno et al.
D600,548 S 9/2009 Seol et al.
D603,701 S 11/2009 Seol et al.
D608,636 S 1/2010 Seol
D644,580 S 9/2011 Markowitz et al.
D646,562 S 10/2011 Liebowitz et al.
D649,041 S 11/2011 Dowden et al.

D650,273 S 12/2011 Tekulve et al.
D654,370 S 2/2012 Campbell et al.
D655,157 S 3/2012 Hablutzet et al.
D656,016 S 3/2012 Hablutzet et al.
D656,017 S 3/2012 Macaulay et al.
D656,018 S 3/2012 Hablutzet et al.
D659,011 S 5/2012 Lee
D659,012 S 5/2012 Subler
D661,200 S 6/2012 Subler
D666,091 S 8/2012 Klopp et al.
D672,646 S 12/2012 Vanden Boom et al.
D693,680 S 11/2013 Klopp et al.
2011/0162998 A1 * 7/2011 Wurth et al. 206/769

OTHER PUBLICATIONS

U.S. Appl. No. 29/471,196, filed Oct. 29, 2013, Abel, et al.

* cited by examiner

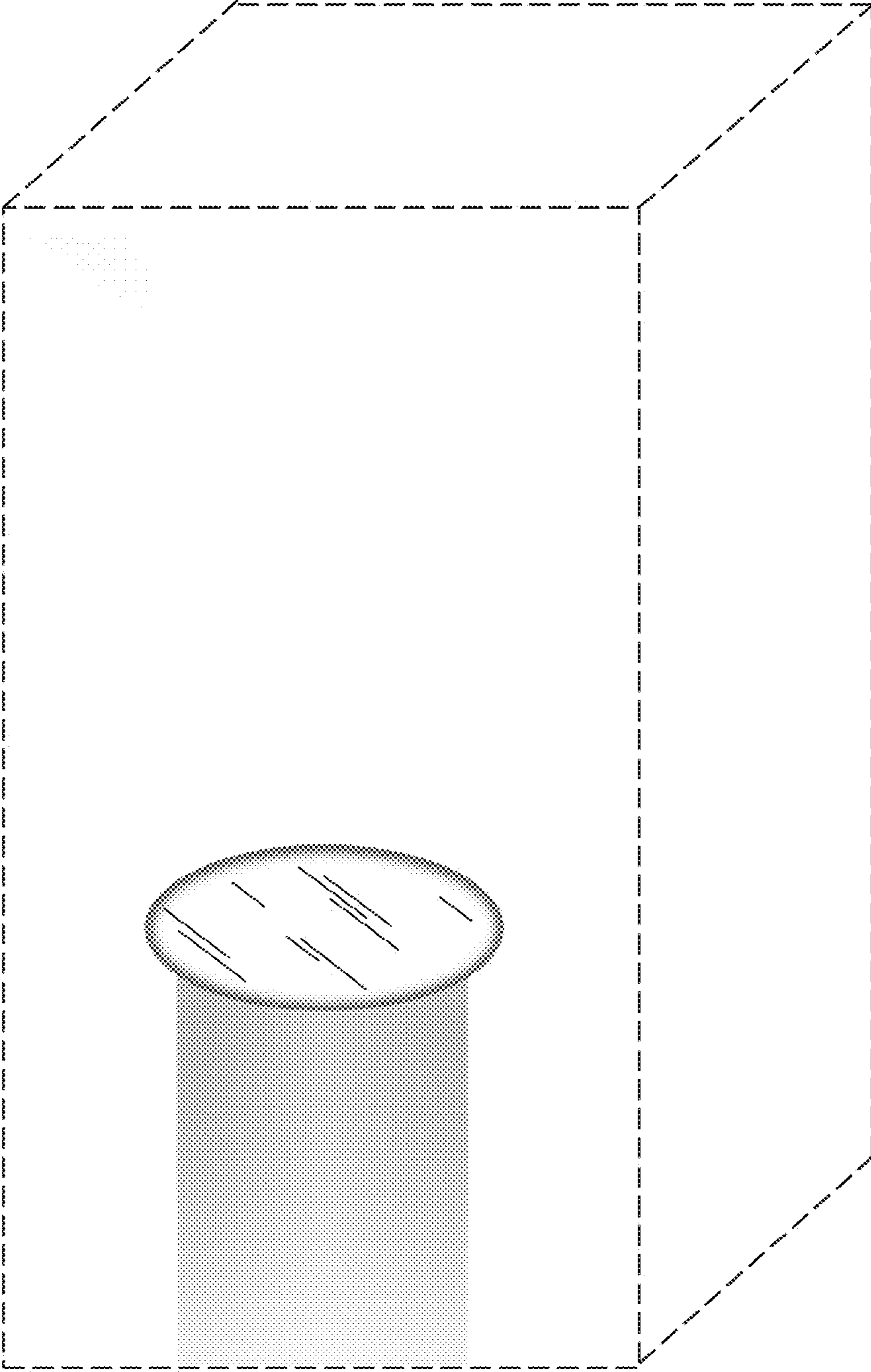


Fig. 1

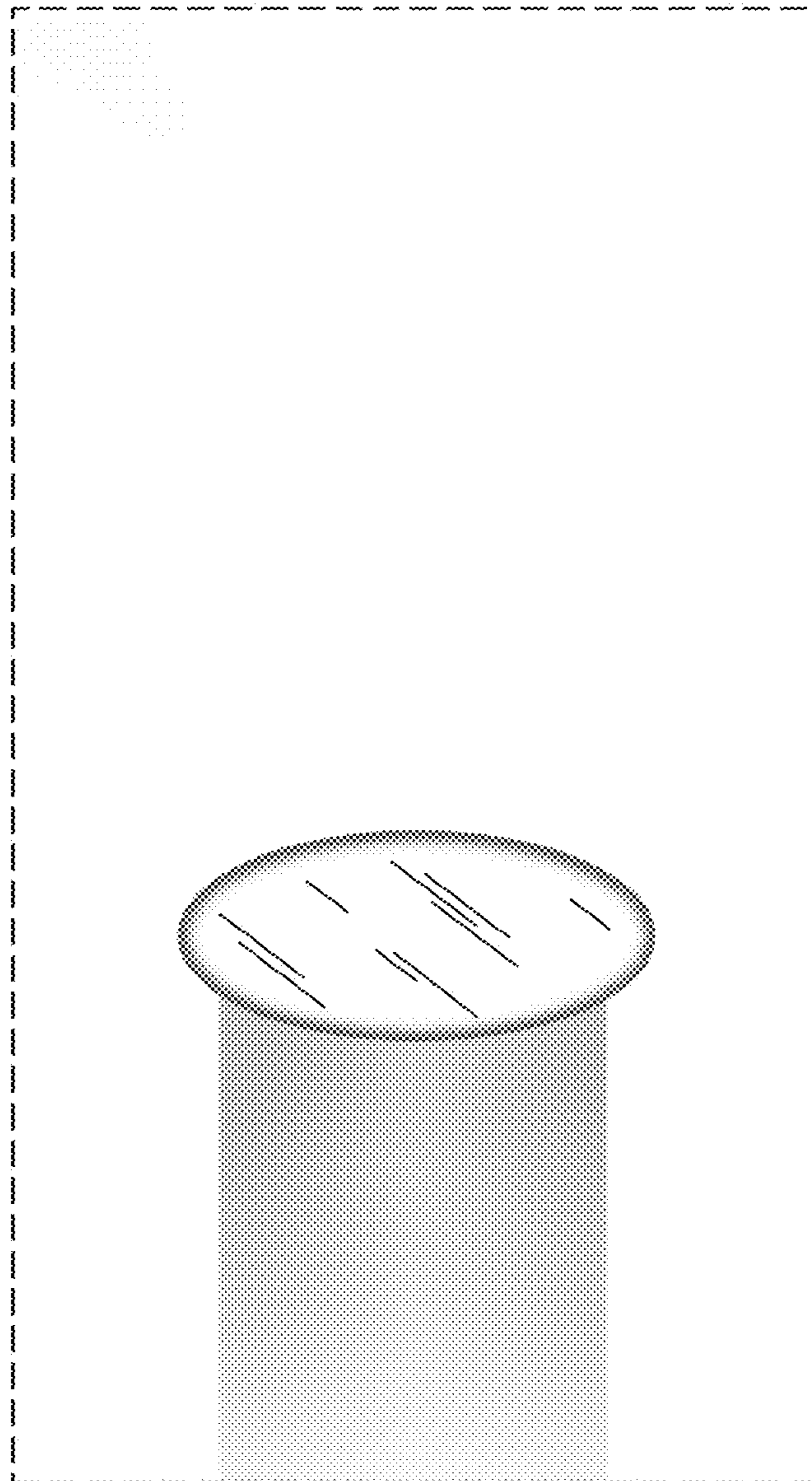


Fig. 2

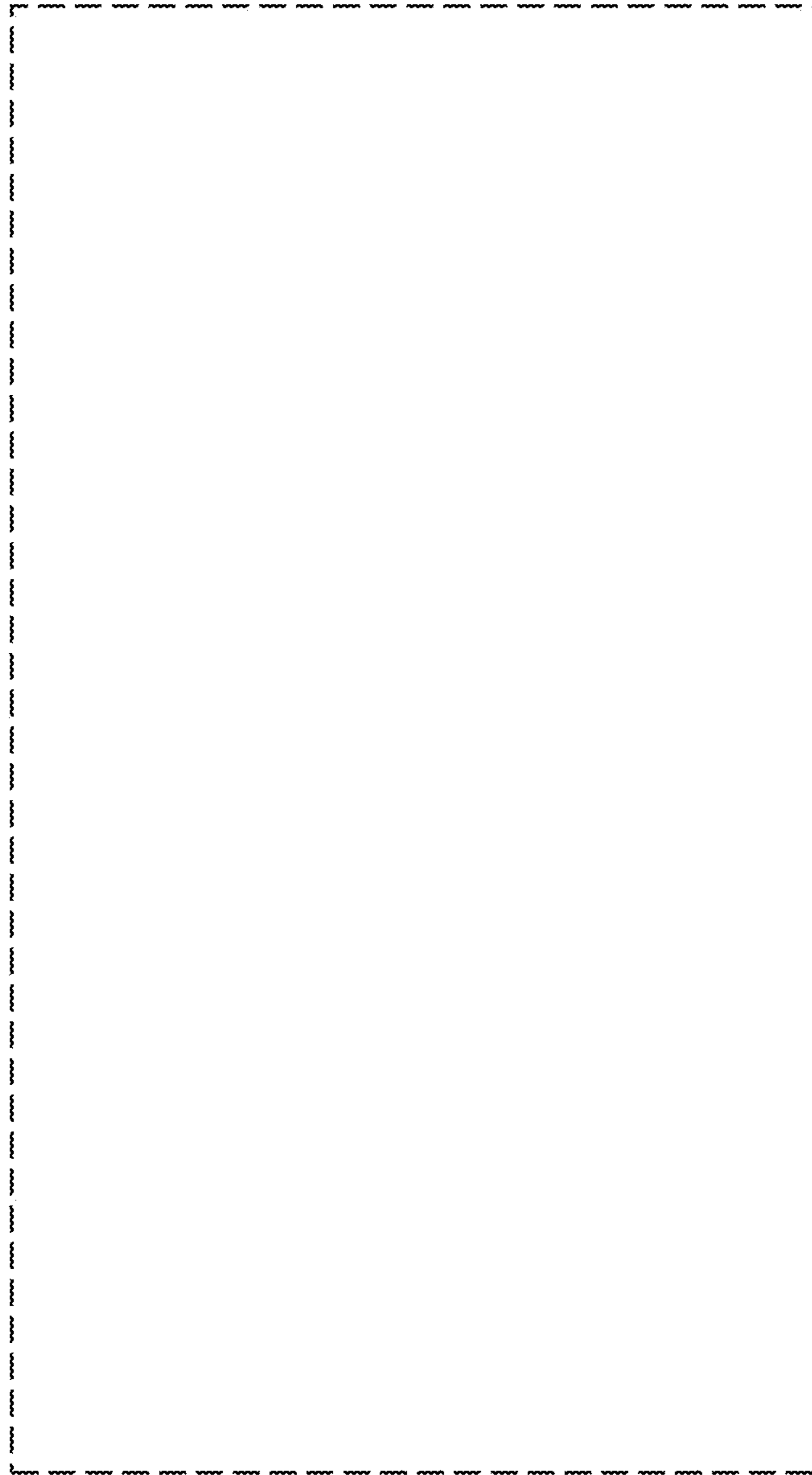


Fig. 3



Fig. 4

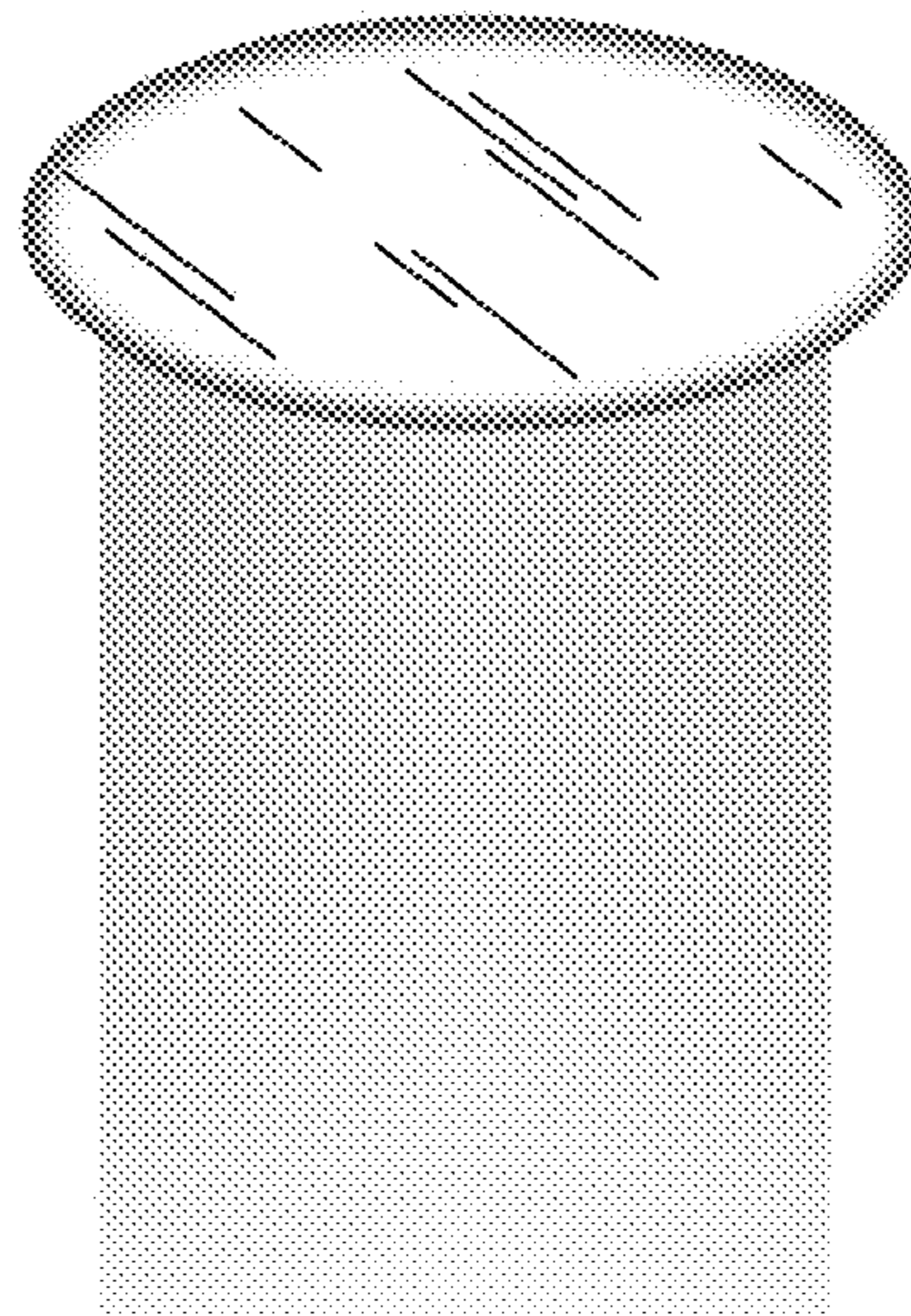


Fig. 5