

US00D723914S

(12) **United States Design Patent**  
**Singh et al.**

(10) **Patent No.:** **US D723,914 S**  
(45) **Date of Patent:** **\*\* Mar. 10, 2015**

(54) **CONTAINER**

(71) Applicant: **S. C. Johnson & Son, Inc.**, Racine, WI (US)

(72) Inventors: **Rishabh Singh**, Milwaukee, WI (US);  
**Elie Monge**, San Francisco, CA (US);  
**Allan Freas Velzy**, Boston, MA (US)

(73) Assignee: **S.C. Johnson & Son, Inc.**, Racine, WI (US)

(\*\*) Term: **14 Years**

(21) Appl. No.: **29/461,253**

(22) Filed: **Jul. 19, 2013**

(51) **LOC (10) Cl.** ..... **09-07**

(52) **U.S. Cl.**  
USPC ..... **D9/434; D9/499**

(58) **Field of Classification Search**  
USPC ..... D9/434, 435, 451, 499; D5/20, 30;  
D7/392.1; D11/73; D14/485, 491;  
206/457, 494, 527, 540; 215/400;  
220/890; 229/116.1, 125.36  
See application file for complete search history.

(56) **References Cited**

**U.S. PATENT DOCUMENTS**

D399,501 S *	10/1998	Arora et al. ....	D14/491
D536,340 S *	2/2007	Jost et al. ....	D14/485
D560,680 S *	1/2008	Armendariz ....	D14/491
D593,580 S *	6/2009	Truelove et al. ....	D14/491
D598,467 S *	8/2009	Syme ....	D14/491
D606,091 S *	12/2009	O'Donnell et al. ....	D14/489
D664,444 S *	7/2012	Delaney et al. ....	D9/667
D667,452 S *	9/2012	Wujcik et al. ....	D14/492
D677,326 S *	3/2013	Gleasant et al. ....	D18/27
D677,568 S *	3/2013	Sina ....	D9/451
D683,360 S *	5/2013	Phelan et al. ....	D14/491
D684,189 S *	6/2013	Ridl et al. ....	D14/491
D702,711 S *	4/2014	Abratowski et al. ....	D14/489

**OTHER PUBLICATIONS**

Co-pending U.S. Appl. No. 13/946,513, filed Jul. 19, 2013.  
Co-pending U.S. Appl. No. 29/461,249, filed Jul. 19, 2013.  
Co-pending U.S. Appl. No. 29/461,250, filed Jul. 19, 2013.  
Co-pending U.S. Appl. No. 29/461,251, filed Jul. 19, 2013.  
Co-pending U.S. Appl. No. 29/461,252, filed Jul. 19, 2013.  
Co-pending U.S. Appl. No. 29/461,254, filed Jul. 19, 2013.  
Co-pending U.S. Appl. No. 29/461,255, filed Jul. 19, 2013.  
Co-pending U.S. Appl. No. 29/461,256, filed Jul. 19, 2013.  
Co-pending U.S. Appl. No. 29/461,257, filed Jul. 19, 2013.  
Co-pending U.S. Appl. No. 29/461,258, filed Jul. 19, 2013.  
Co-pending U.S. Appl. No. 29/461,259, filed Jul. 19, 2013.  
Co-pending U.S. Appl. No. 29/461,260, filed Jul. 19, 2013.  
Co-pending U.S. Appl. No. 29/461,261, filed Jul. 19, 2013.  
Co-pending U.S. Appl. No. 29/469,505, filed Oct. 10, 2013.  
Co-pending U.S. Appl. No. 29/469,506, filed Oct. 10, 2013.  
US Trademark Registration No. 909,792, registered Mar. 9, 1971.  
US Trademark Registration No. 1,246,271, registered Jul. 26, 1983.  
US Trademark Registration No. 4,436,042, registered Nov. 19, 2013.

(Continued)

*Primary Examiner* — Robert M Spear

(57) **CLAIM**

The ornamental design for a container, as shown and described.

**DESCRIPTION**

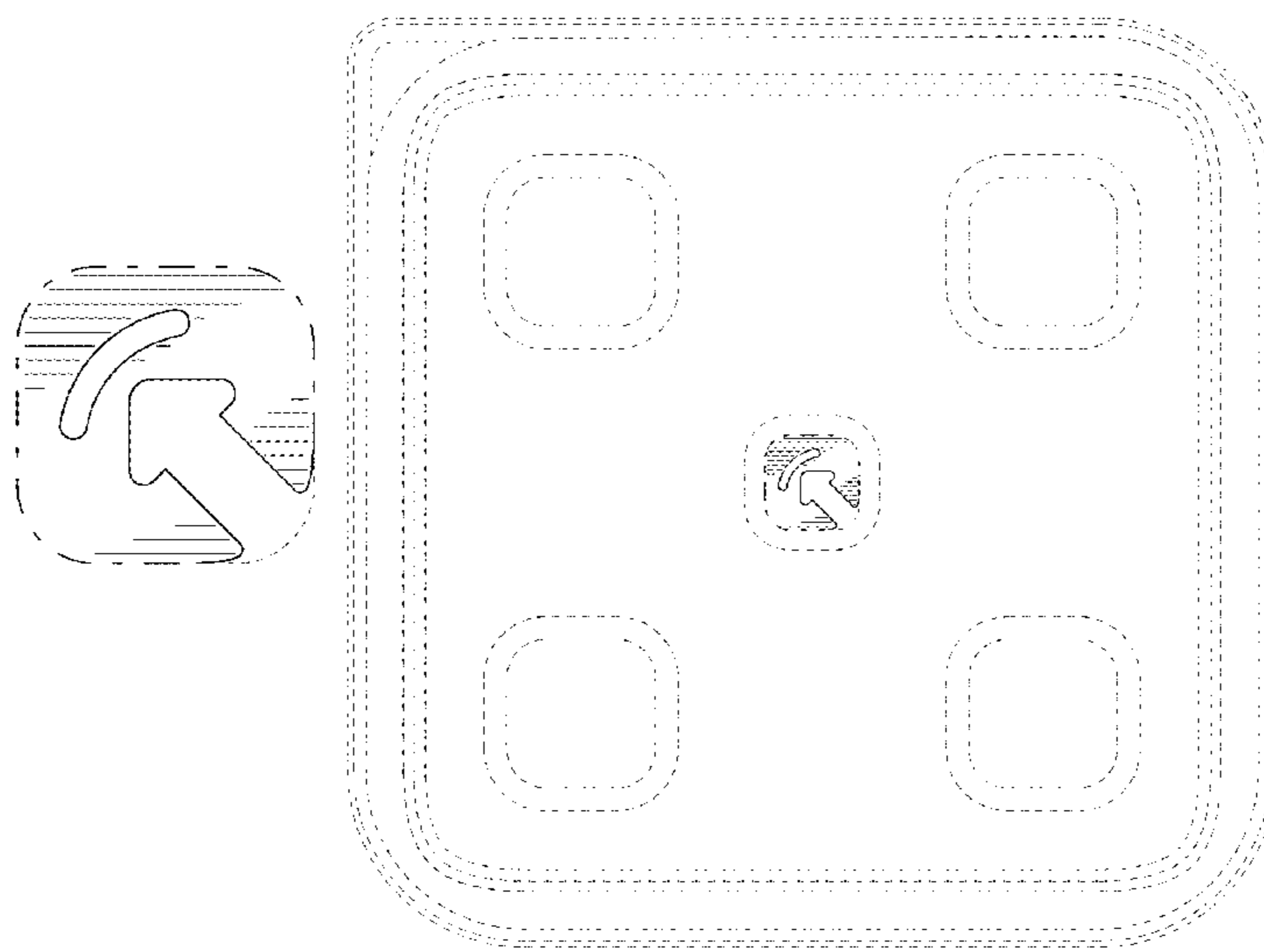
FIG. 1 is a front view of a container showing our new design; and,

FIG. 2 shows an environment in which the claimed design may be used.

Portions of the container not shown in FIG. 1 form no part of the claimed design.

The dashed broken lines in the Figures show portions of the container that form no part of the claimed design. The dot-dash broken lines in the Figures show a boundary of the claimed area of the container and form no part of the claimed design.

**1 Claim, 2 Drawing Sheets**



(56)

**References Cited**

OTHER PUBLICATIONS

US Trademark Registration No. 4,354,799, registered Jun. 18, 2013.  
US Trademark Registration No. 3,726,429, registered Dec. 15, 2009.  
US Trademark Registration No. 3,270,862, registered Jul. 31, 2007.  
US Trademark Registration No. 4,370,523, registered Jul. 23, 2013.  
US Trademark Registration No. 4,223,242, registered Oct. 9, 2012.  
Trademark Official Gazette Publication of US Trademark Application Serial No. 85-659,913, Apr. 16, 2013.

Trademark Official Gazette Publication of US Trademark Application Serial No. 85-810,206, May 21, 2013.

Trademark Official Gazette Publication of US Trademark Application Serial No. 85-890,196, Oct. 1, 2013.

Trademark Official Gazette Publication of US Trademark Application Serial No. 85-762,186, Apr. 2, 2013.

\* cited by examiner

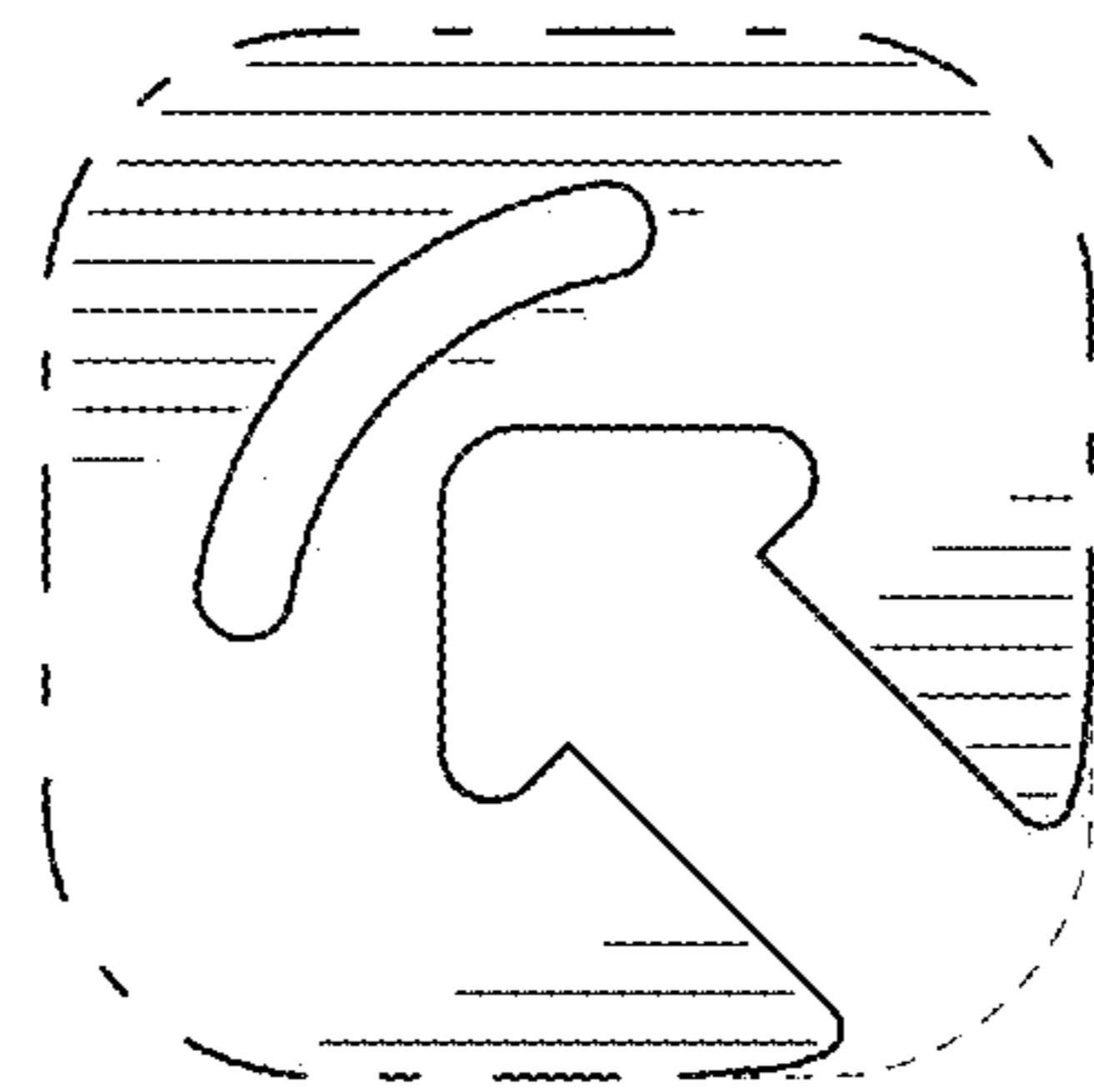


FIG. 1

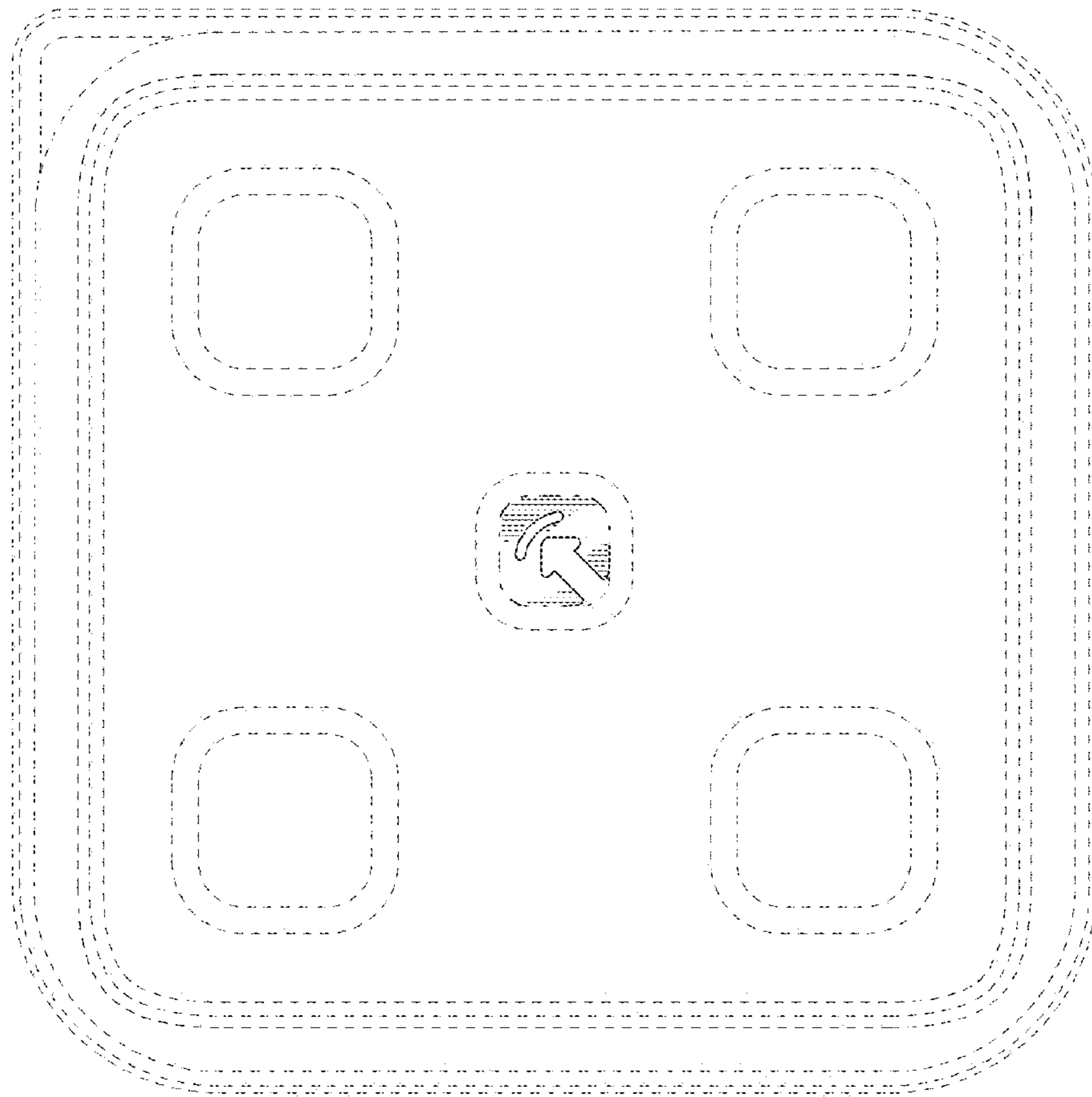


FIG. 2