



US00D723913S

(12) **United States Design Patent**
Summey

(10) **Patent No.:** **US D723,913 S**
(45) **Date of Patent:** **** Mar. 10, 2015**

(54) **FOOD TRAY**

(71) Applicant: **Luke A. Summey**, Sturgis, MI (US)

(72) Inventor: **Luke A. Summey**, Sturgis, MI (US)

(**) Term: **14 Years**

(21) Appl. No.: **29/490,556**

(22) Filed: **May 12, 2014**

(51) **LOC (10) Cl.** **09-03**

(52) **U.S. Cl.**

USPC **D9/432**; D7/602

(58) **Field of Classification Search**

CPC B65D 5/00; B65D 5/0015; B65D 5/0045;
B65D 5/18; B65D 5/40; B65D 5/2033;
B65D 1/22; B65D 1/225; B65D 1/24; B65D
1/34; B65D 1/38

USPC D9/414-433, 444-445, 456, 519, 529,
D9/560, 715, 718, 748; D7/601, 602, 538,
D7/540, 550.1, 552.1, 554.3, 554.4;
D3/203.5, 202, 207, 210

See application file for complete search history.

(56) **References Cited**

U.S. PATENT DOCUMENTS

D171,324 S * 1/1954 De Puy D7/549
D227,084 S * 6/1973 Karlsen D9/425
D229,894 S * 1/1974 Reifers D9/425

D306,699 S * 3/1990 Michau D9/432
D428,059 S * 7/2000 Saylor et al. D19/92
D448,990 S 10/2001 Sorensen et al.
D614,489 S * 4/2010 Doster D9/456
D631,743 S 2/2011 Hubbard, Jr. et al.
D641,210 S * 7/2011 Hamilton D7/554.3
D695,113 S * 12/2013 Biery D9/432

* cited by examiner

Primary Examiner — Susan Bennett Hattan

Assistant Examiner — Vy Koenig

(74) *Attorney, Agent, or Firm* — Gardner, Linn, Burkhardt & Flory, LLP

(57) **CLAIM**

The ornamental design for a food tray, as shown and described.

DESCRIPTION

FIG. 1 is a perspective view of a food tray showing my new design;

FIG. 2 is a front end elevation of the food tray of FIG. 1;

FIG. 3 is a rear end elevation of the food tray of FIG. 1;

FIG. 4 is a left side elevation of the food tray of FIG. 1;

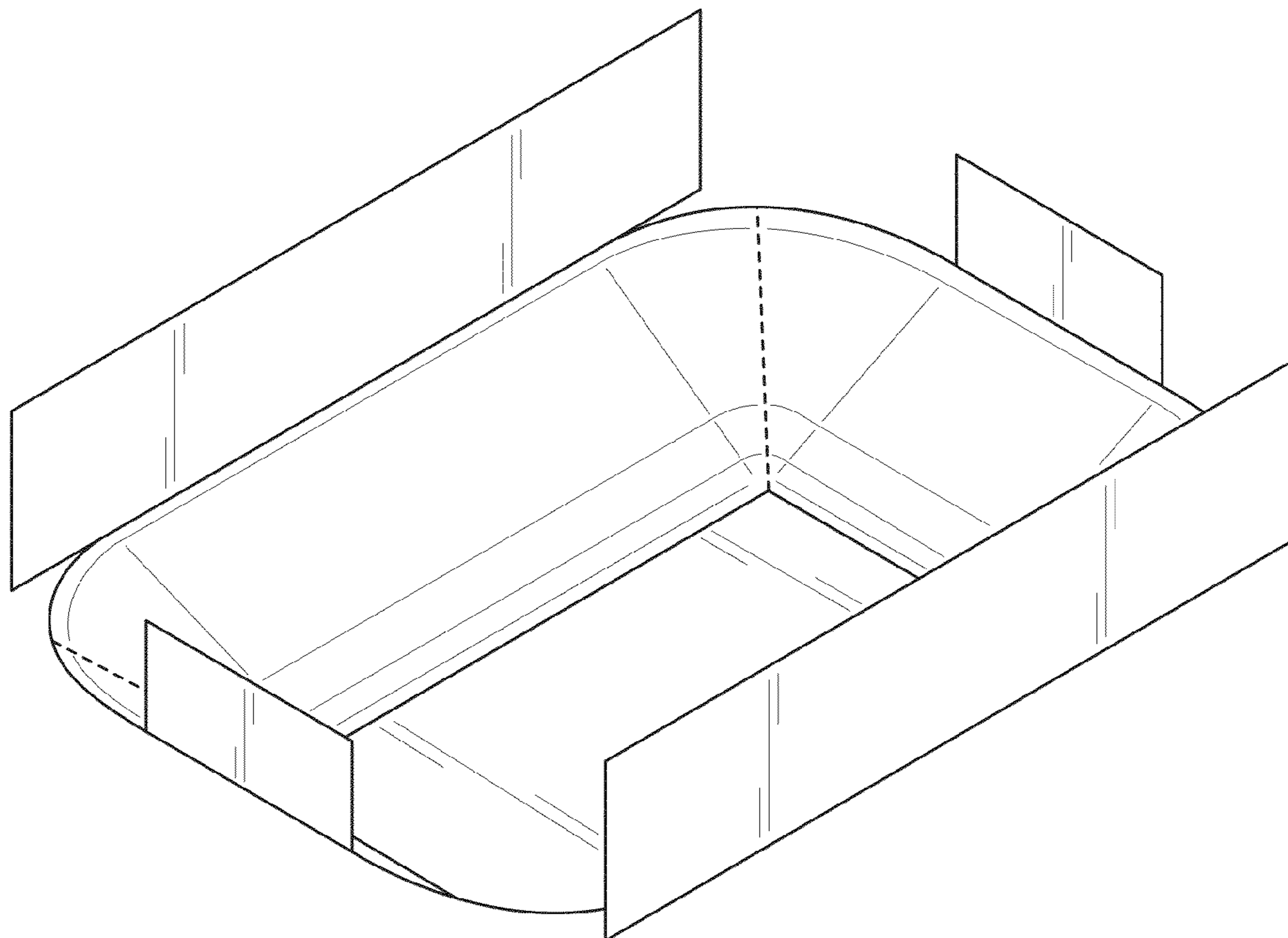
FIG. 5 is a right side elevation of the food tray of FIG. 1;

FIG. 6 is a top plan view of the food tray of FIG. 1; and,

FIG. 7 is a bottom plan view of the food tray of FIG. 1.

In the drawings, the broken lines are included for the purpose of illustrating portions of the food tray that form no part of the claimed design.

1 Claim, 5 Drawing Sheets



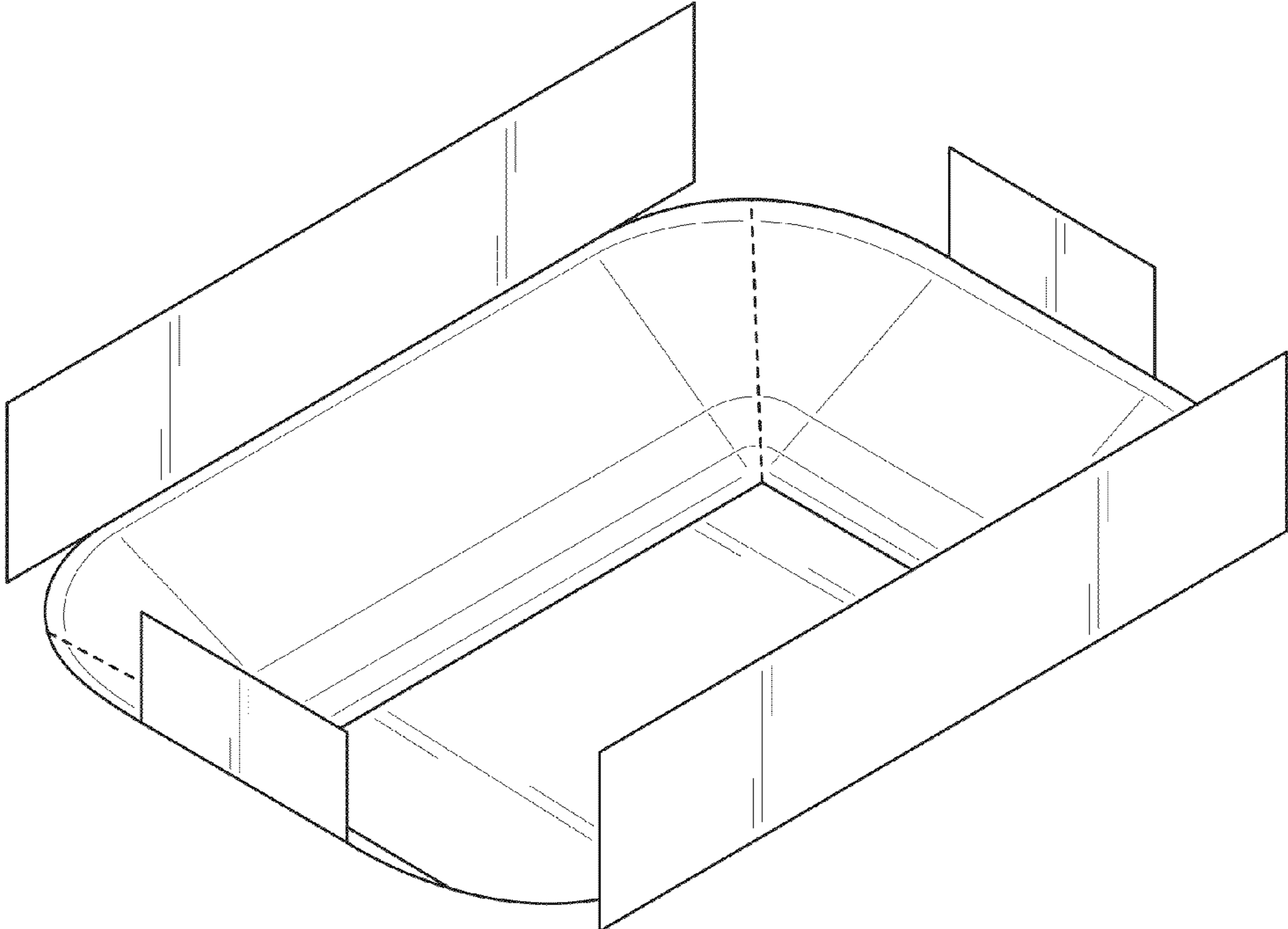


FIG. 1

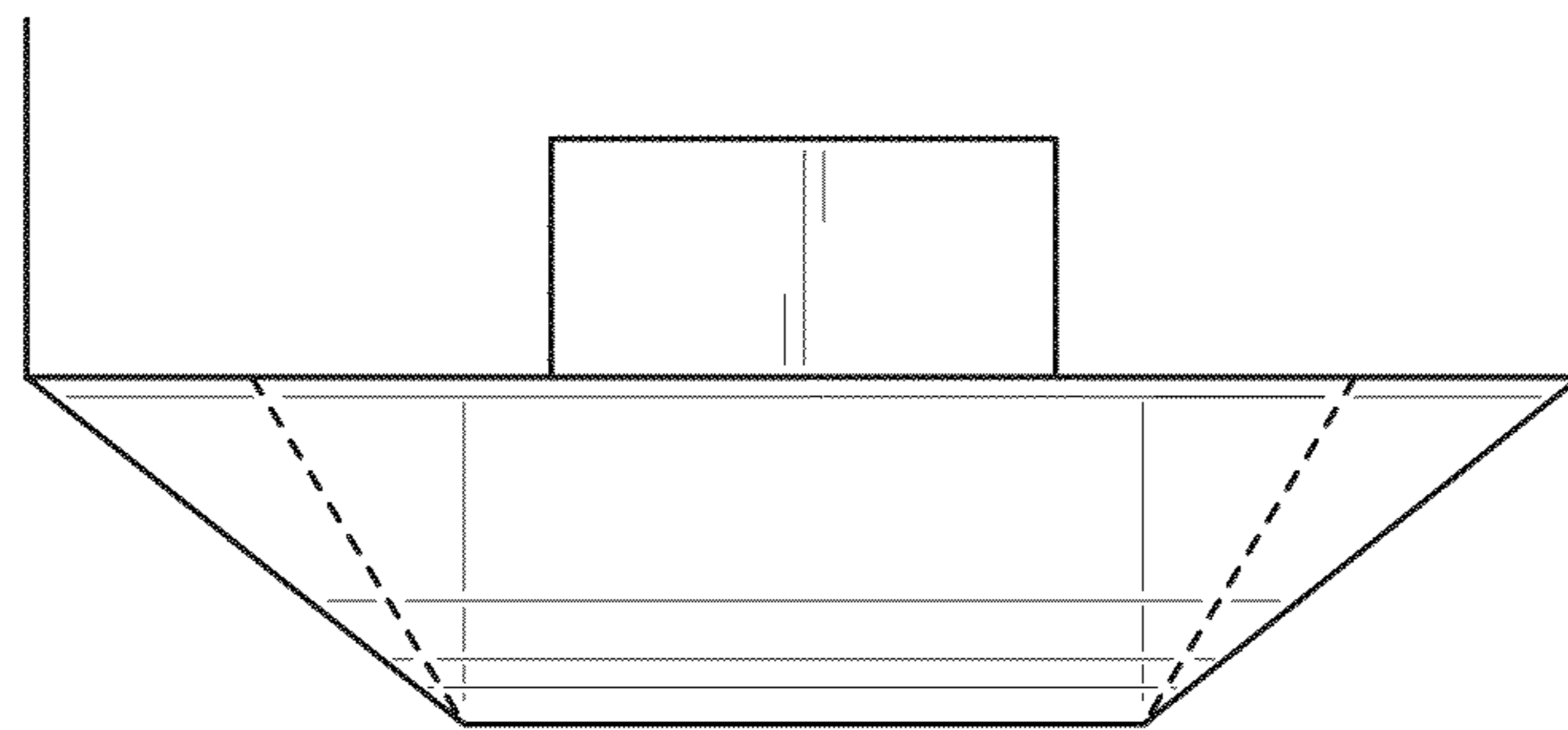


FIG. 2

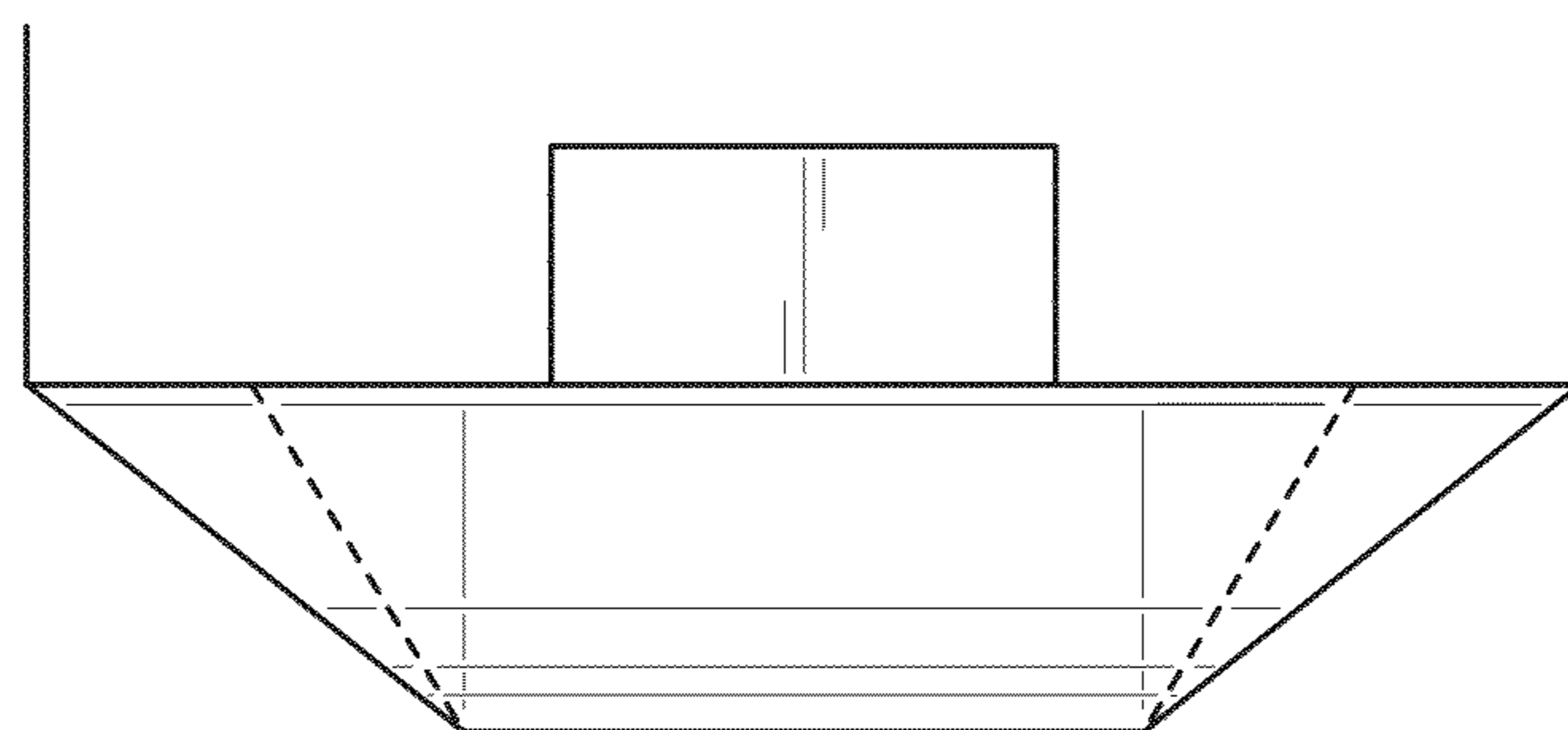


FIG. 3

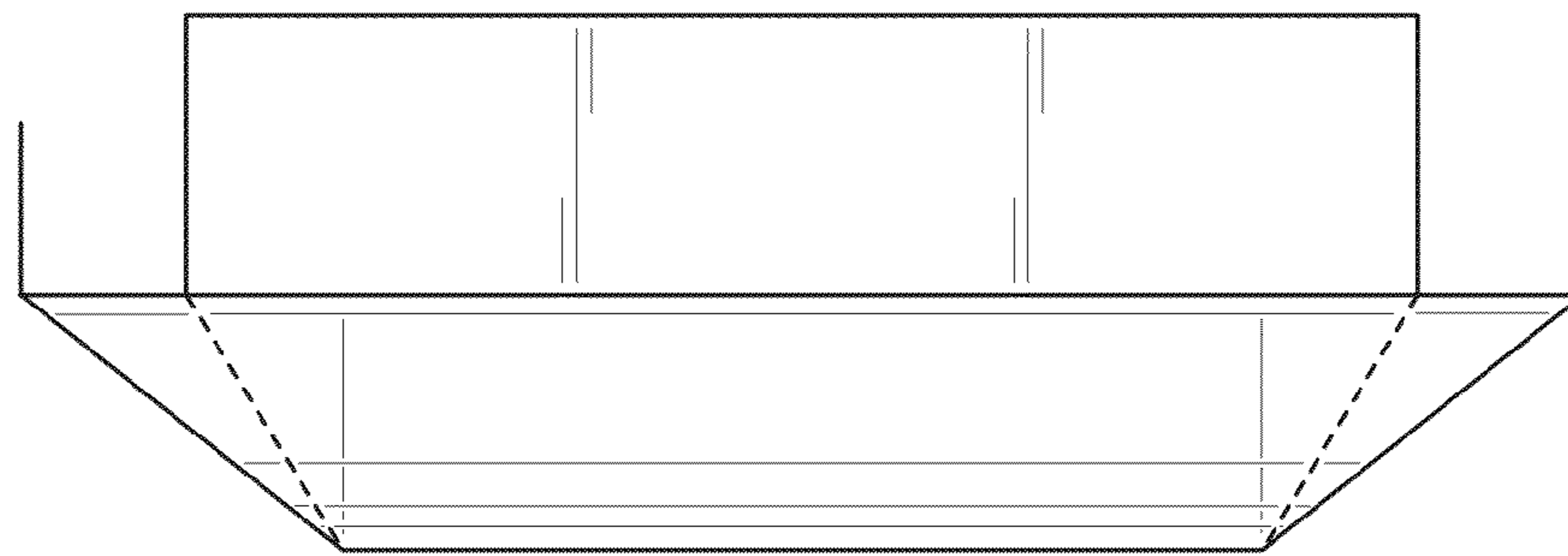


FIG. 4

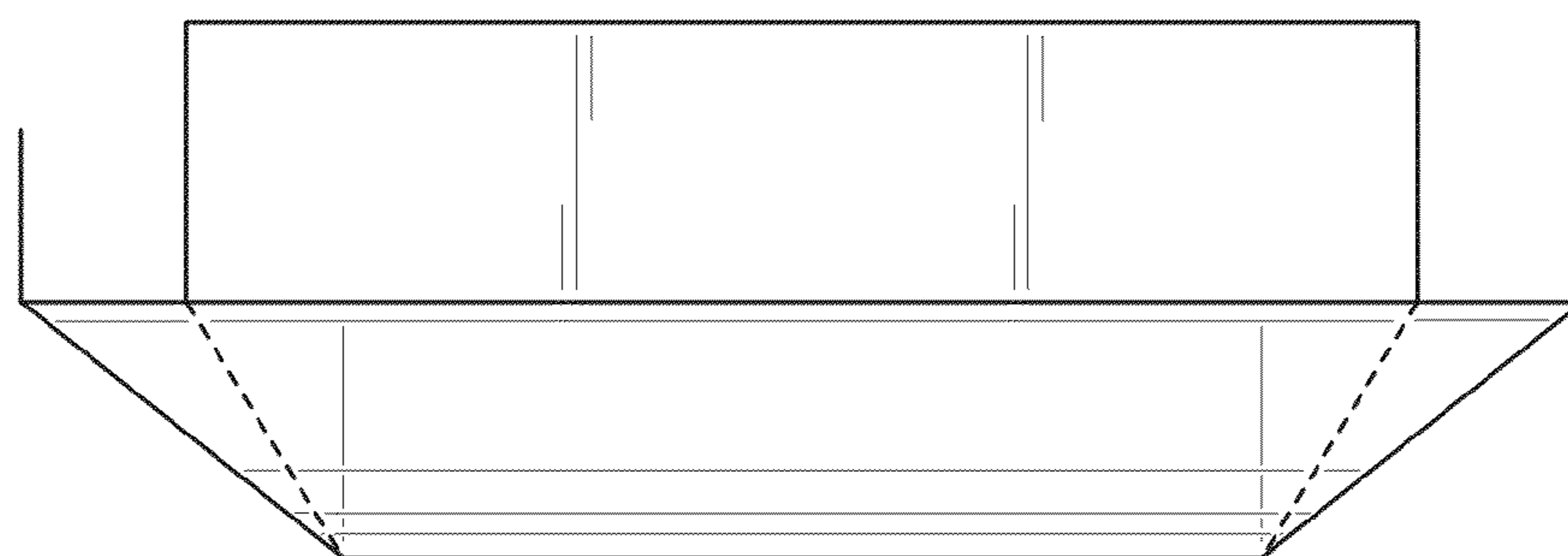


FIG. 5

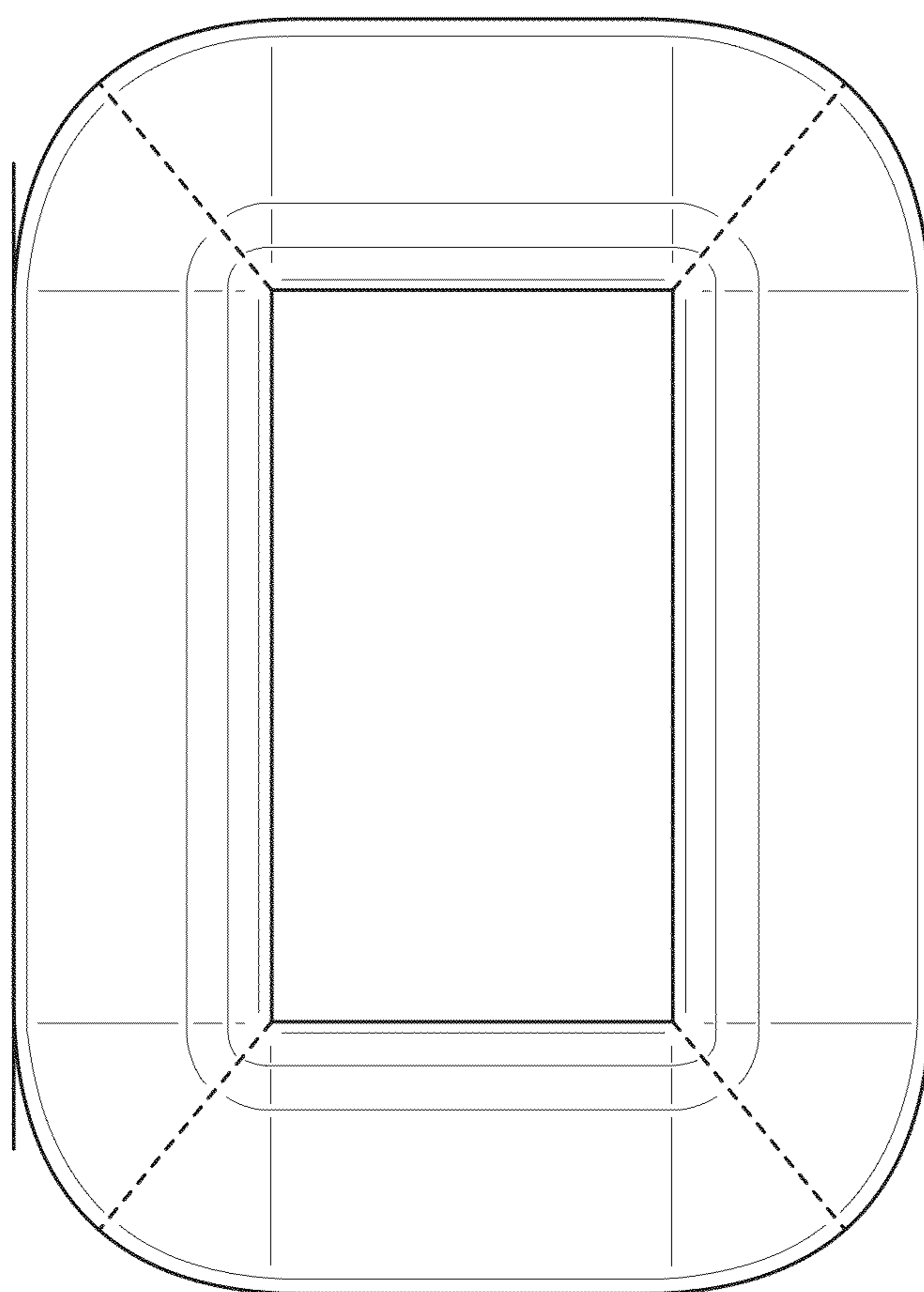


FIG. 6

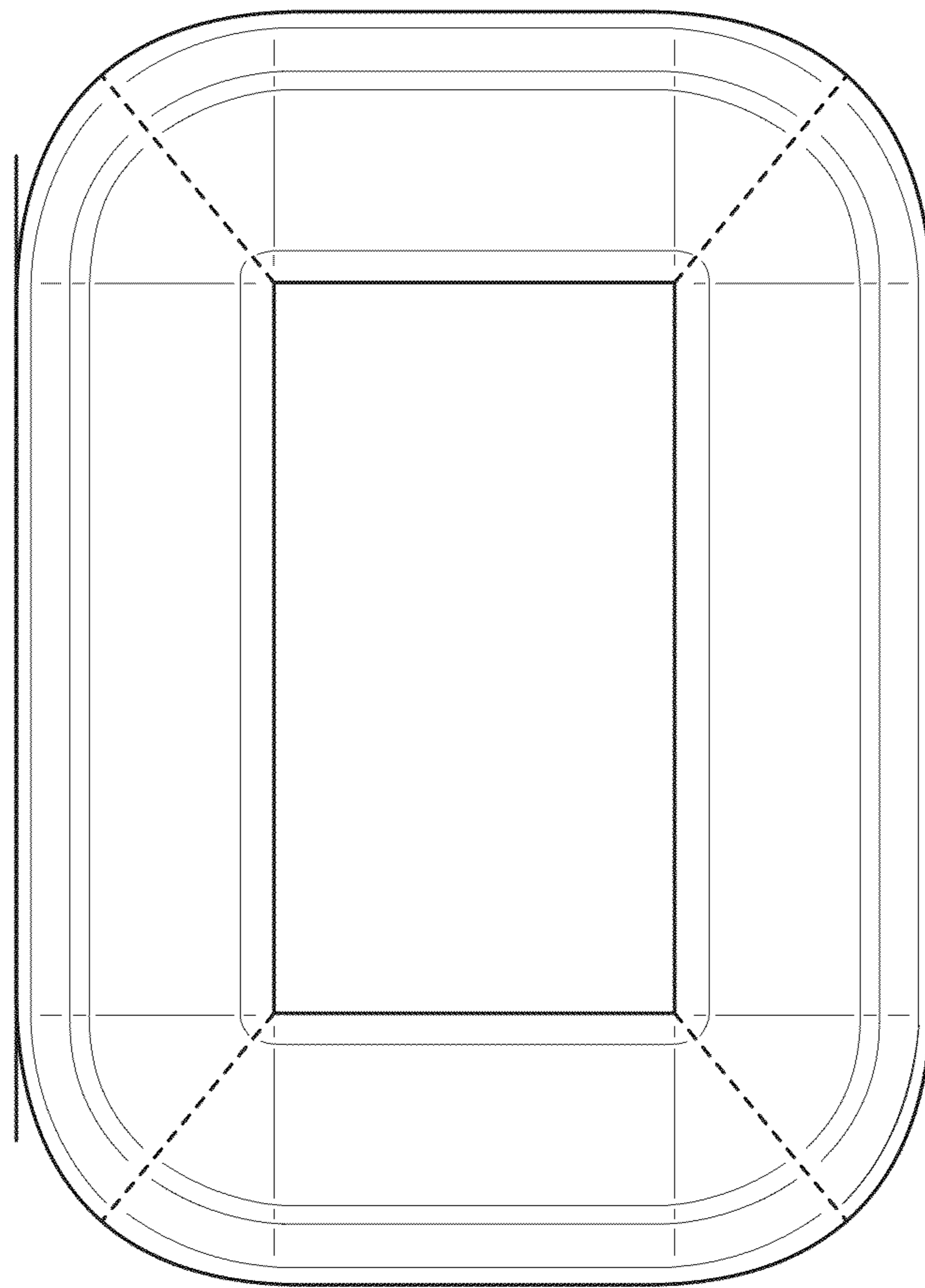


FIG. 7