



US00D723911S

(12) **United States Design Patent**
Marczynski

(10) **Patent No.:** **US D723,911 S**
(45) **Date of Patent:** **** Mar. 10, 2015**

(54) **ROTATION INDICATOR FOR BOLTS**

(71) Applicant: **Business Lines Limited**, Cumbria (GB)

(72) Inventor: **Michael Marczynski**, Cumbria (GB)

(73) Assignee: **Business Lines Limited**, Cumbria (GB)

(**) Term: **14 Years**

(21) Appl. No.: **29/499,411**

(22) Filed: **Aug. 14, 2014**

(51) **LOC (10) Cl.** **08-08**

(52) **U.S. Cl.**
USPC **D8/399**

(58) **Field of Classification Search**
USPC D8/397, 394, 382, 349, 399; 411/427,
411/429, 432, 918, 179, 180, 190, 327,
411/531; D23/303
See application file for complete search history.

(56) **References Cited**

U.S. PATENT DOCUMENTS

D389,999 S * 2/1998 Daigle et al. D3/201
D462,913 S * 9/2002 Brisbee D10/102
6,595,597 B2 * 7/2003 Marczynski et al. 301/37.374
D569,156 S * 5/2008 Hefner et al. D6/567

D604,155 S * 11/2009 Marczynski D8/399
D610,442 S * 2/2010 Marczynski D8/399
8,152,426 B2 * 4/2012 Marczynski 411/14
D662,409 S * 6/2012 Woolstencroft D8/399

* cited by examiner

Primary Examiner — Cynthia Underwood

(74) *Attorney, Agent, or Firm* — Hamre, Schumann, Mueller & Larson, P.C.

(57) **CLAIM**

The ornamental design for a rotation indicator for bolts, as shown.

DESCRIPTION

FIG. 1 is a top perspective view of a rotation indicator for bolts, showing my new design;
FIG. 2 is a bottom perspective view of a rotation indicator for bolts, showing my new design;
FIG. 3 is a front elevational view thereof;
FIG. 4 is a rear elevational view thereof;
FIG. 5 is a left side view thereof;
FIG. 6 is a right side view thereof;
FIG. 7 is a top plan view thereof; and,
FIG. 8 is a bottom plan view thereof.
The broken lines represent portions of the structure that forms no part of the claim.

1 Claim, 6 Drawing Sheets

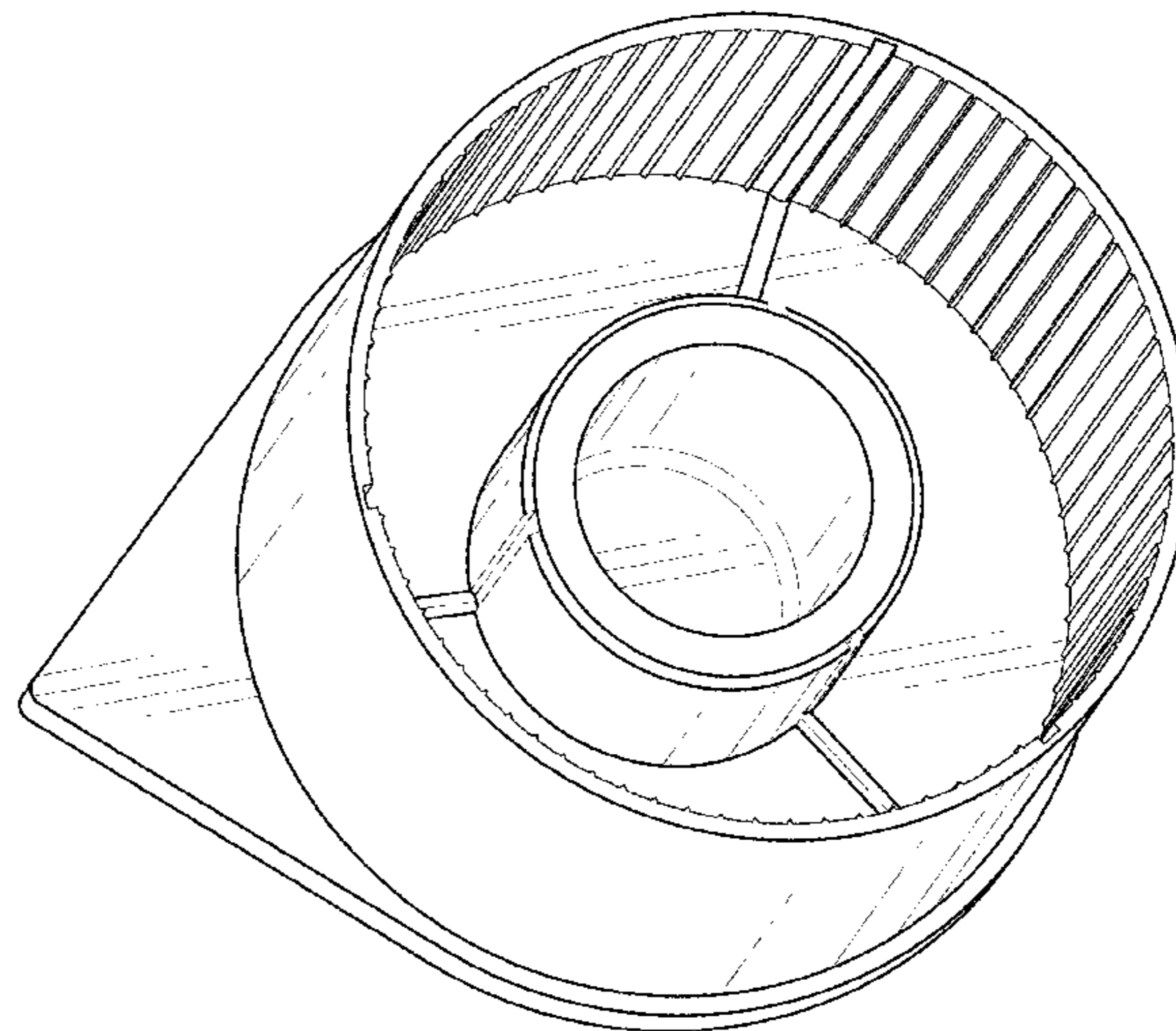
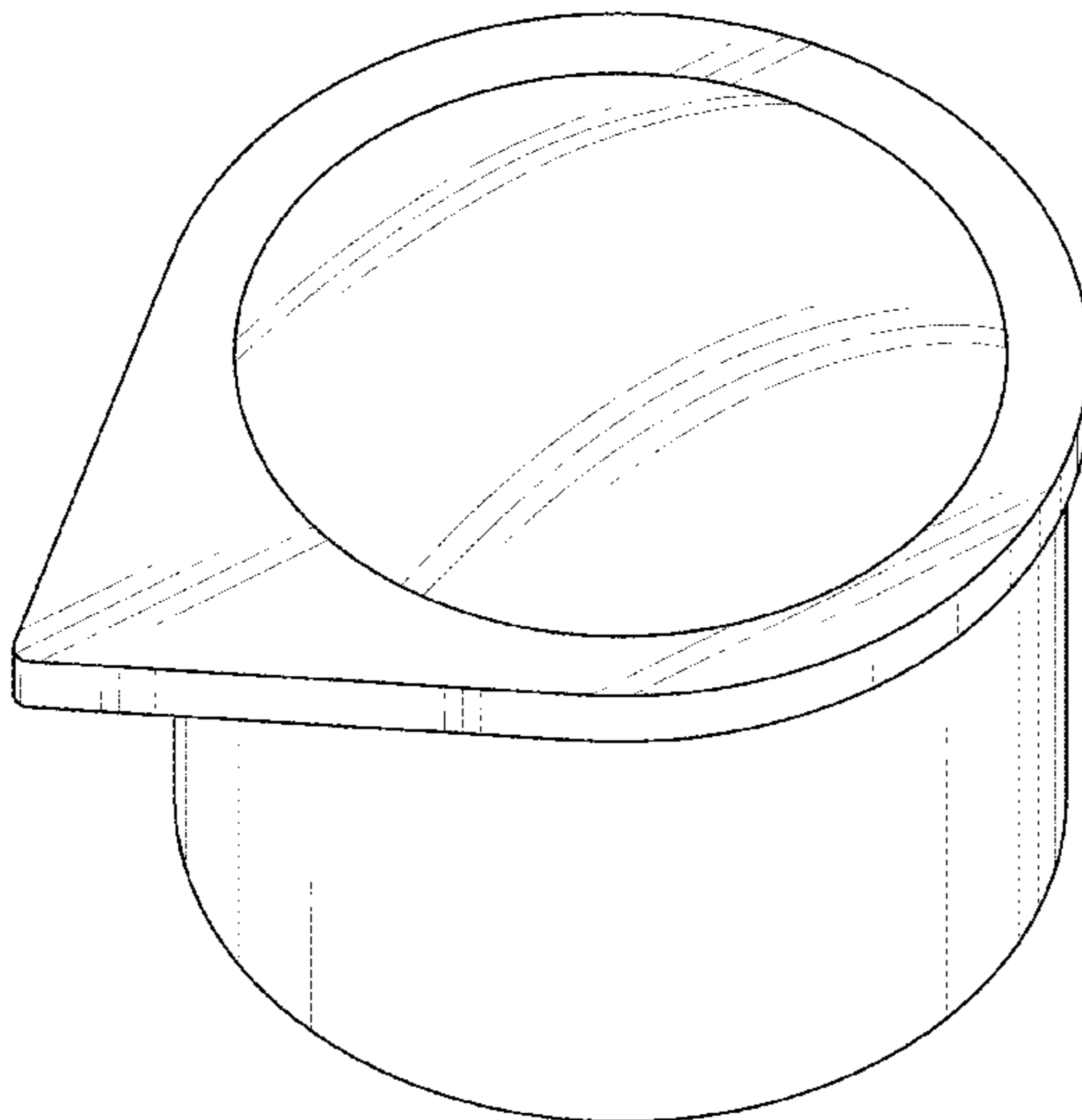


Fig. 1

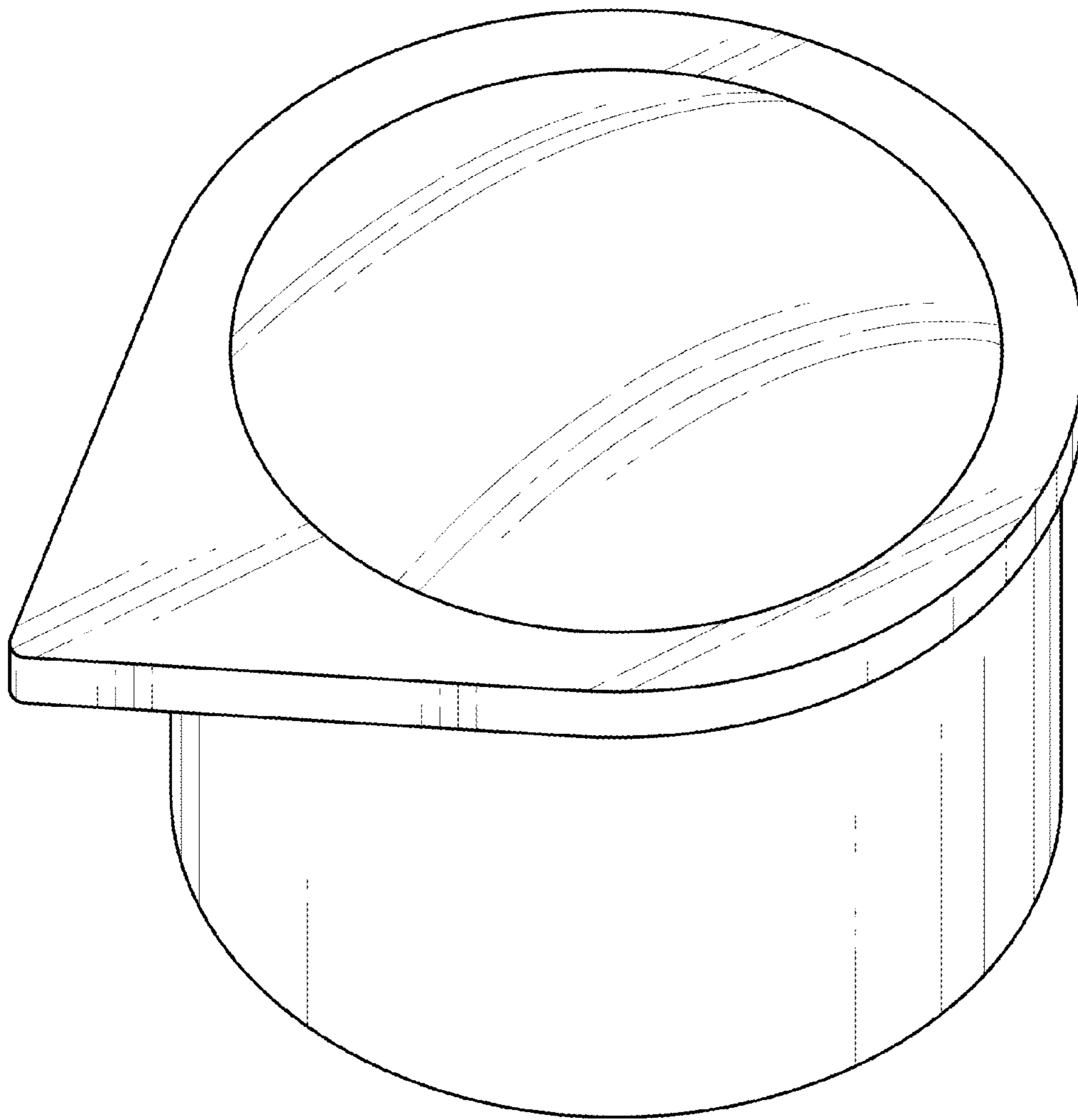


Fig. 2

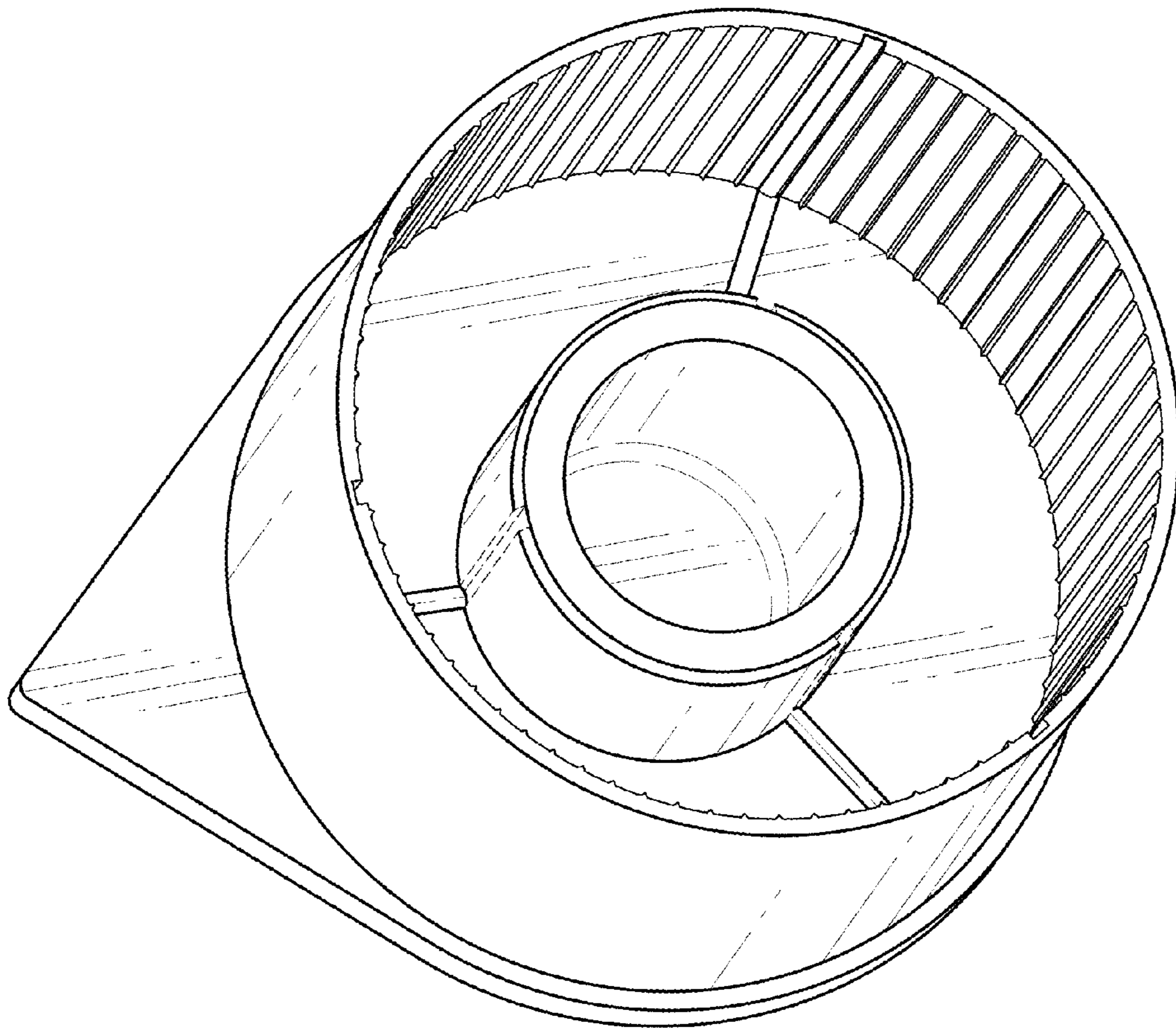


Fig. 3

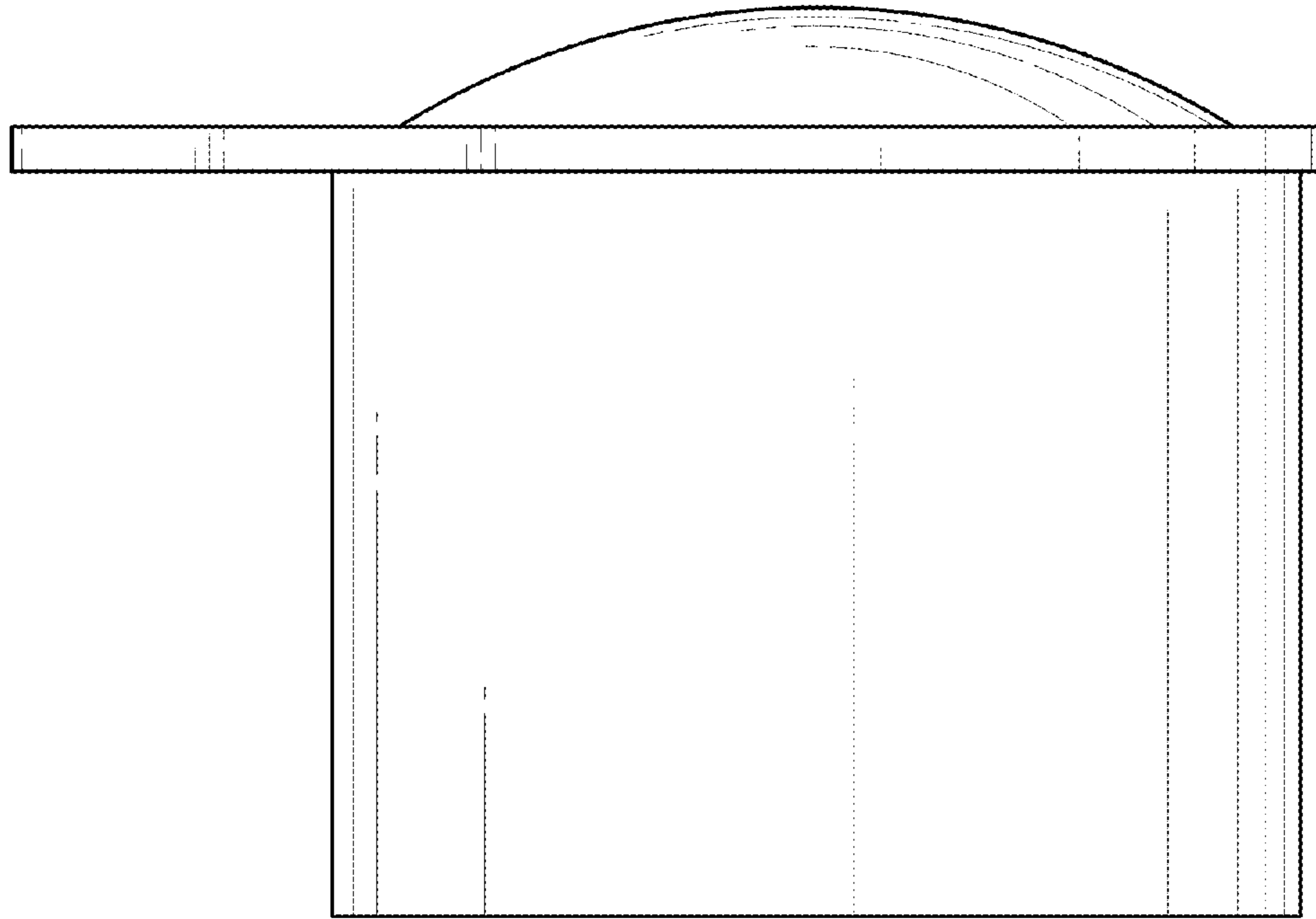


Fig. 4

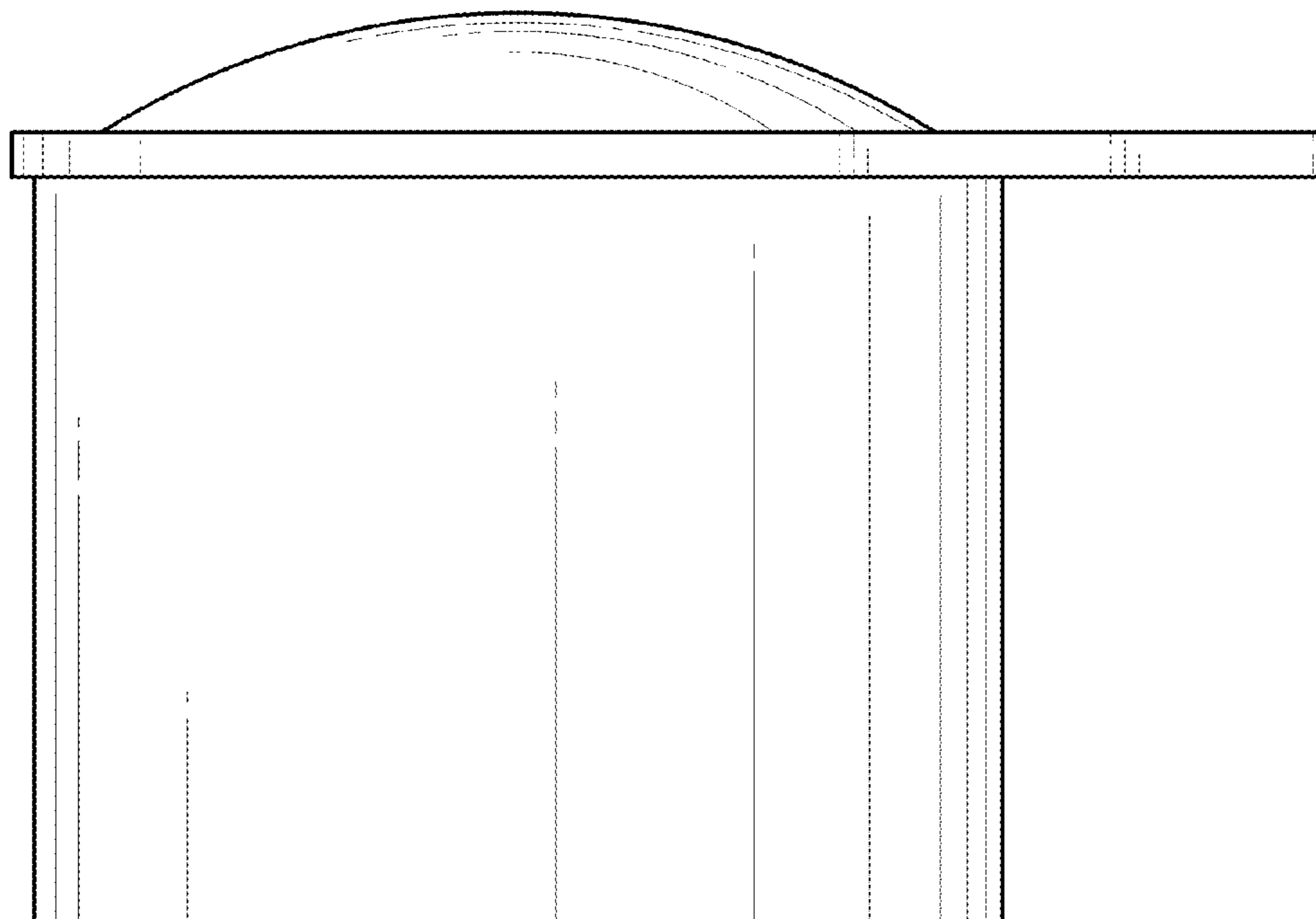


Fig. 5

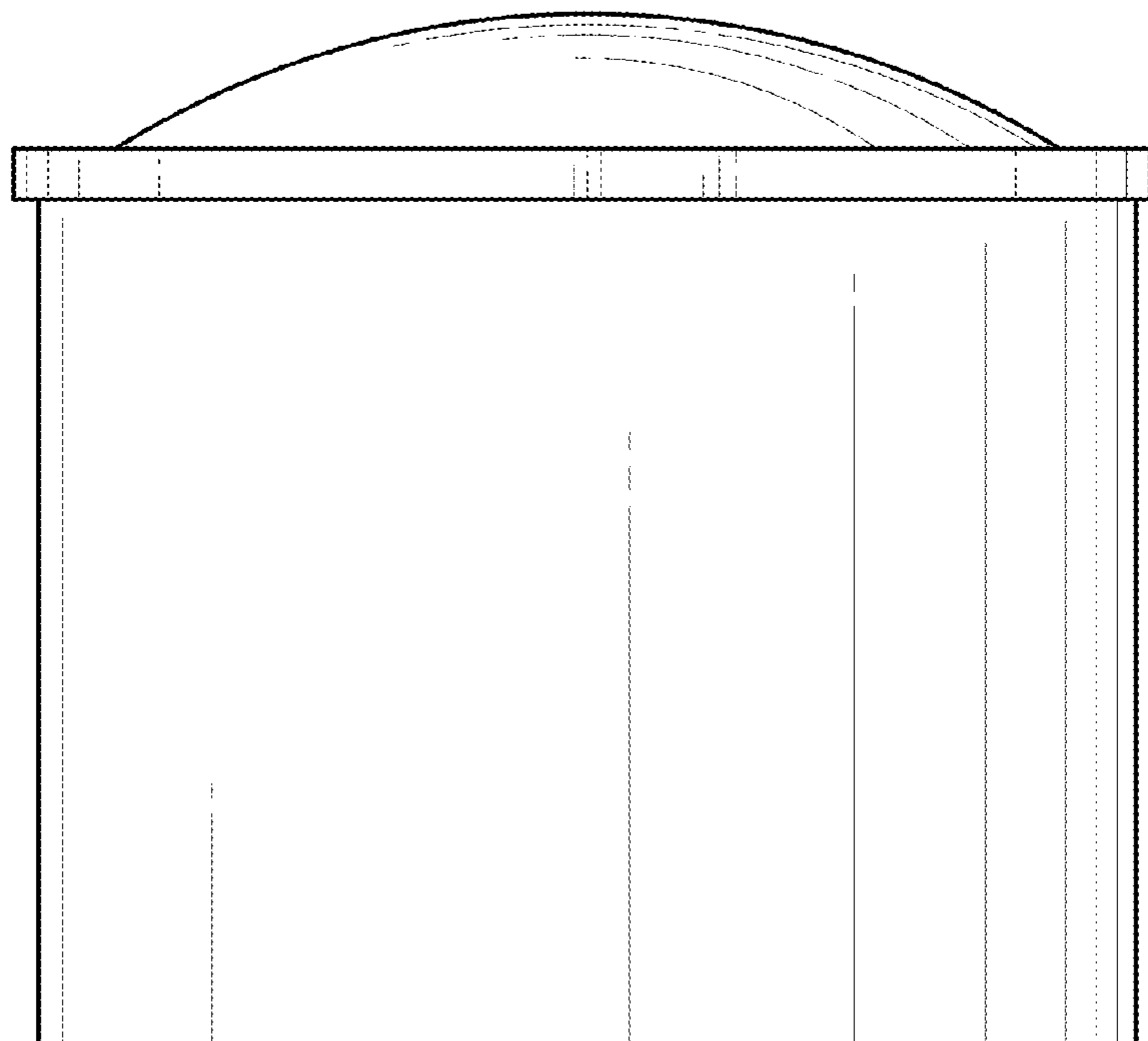
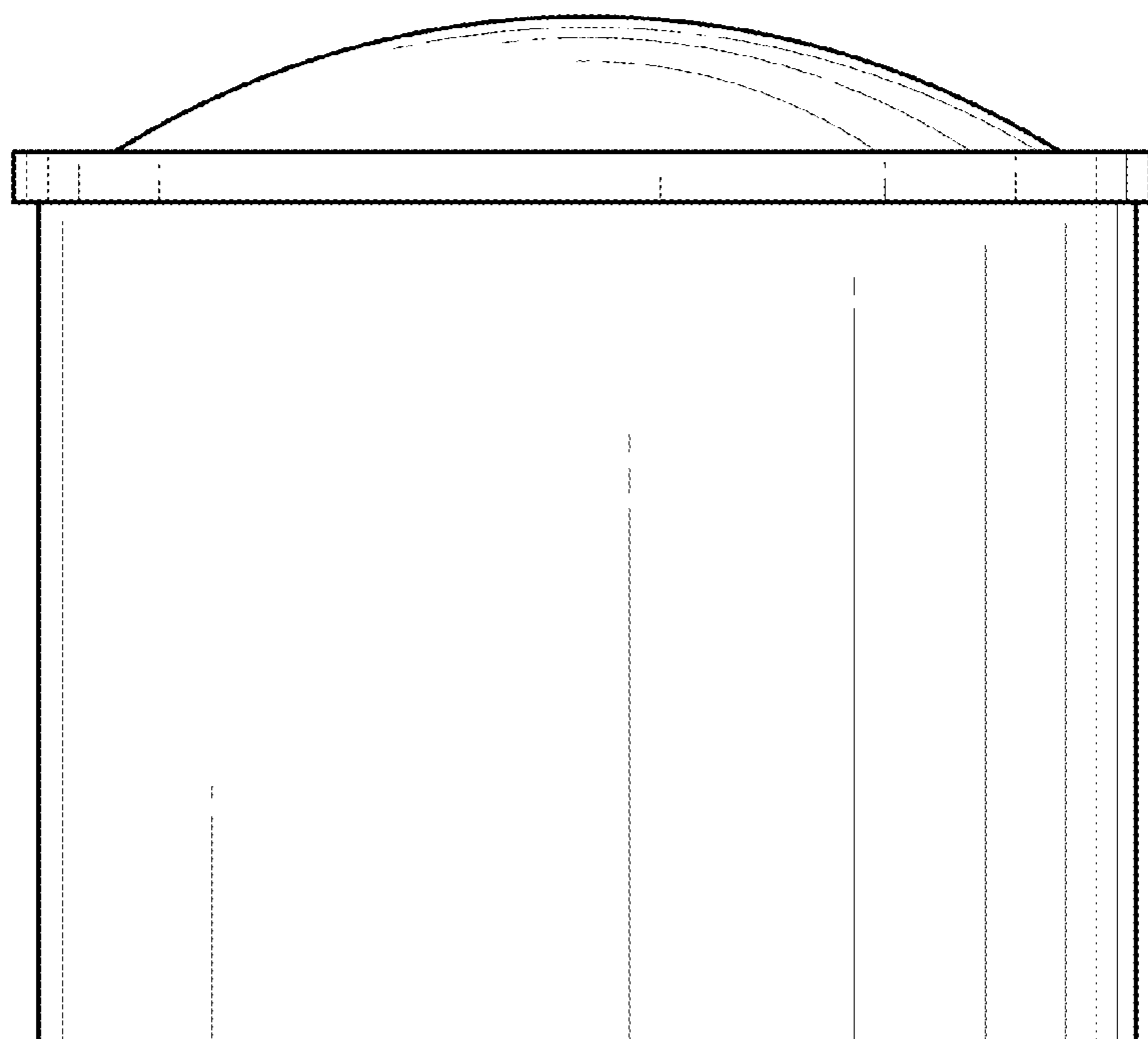


Fig. 6



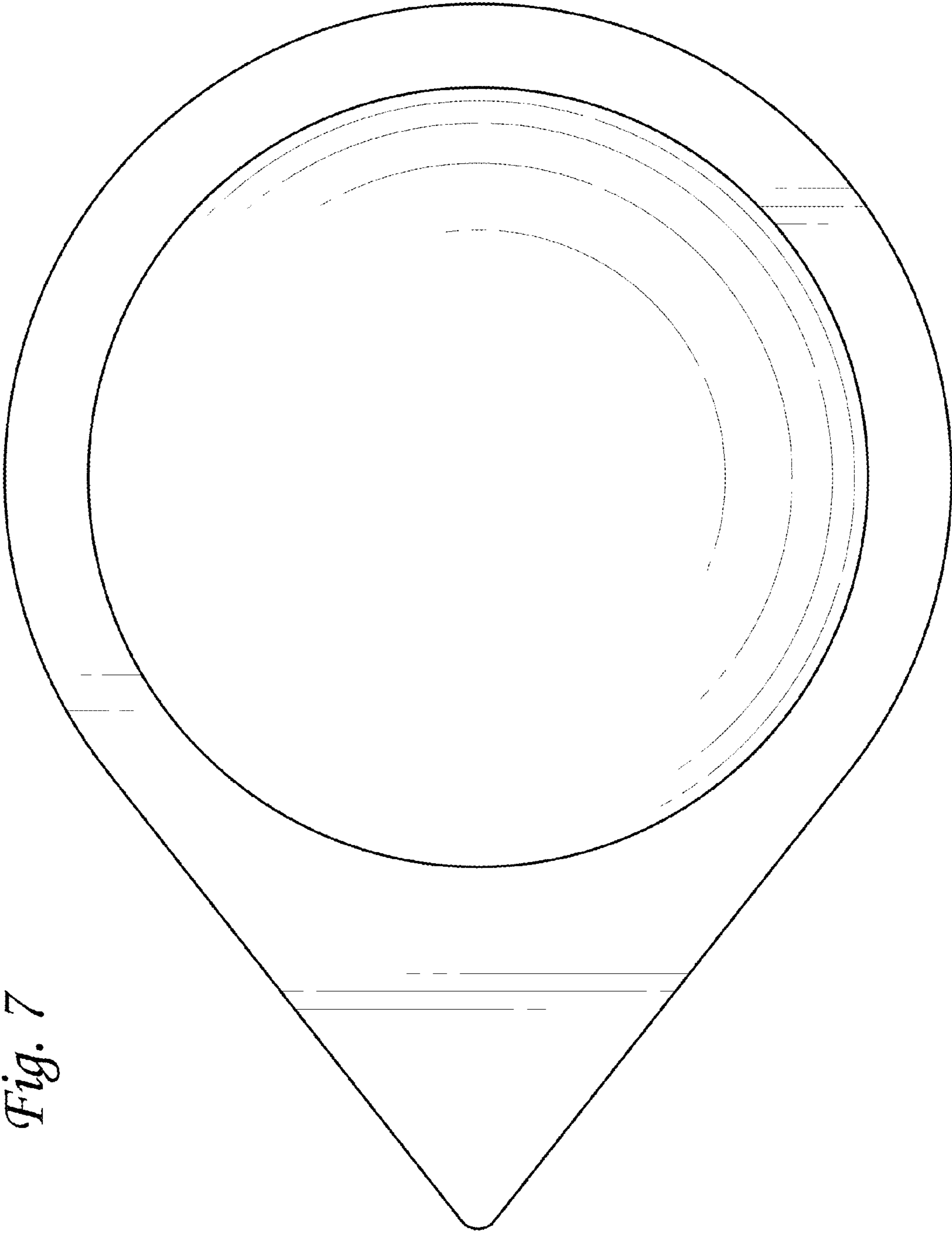


Fig. 7

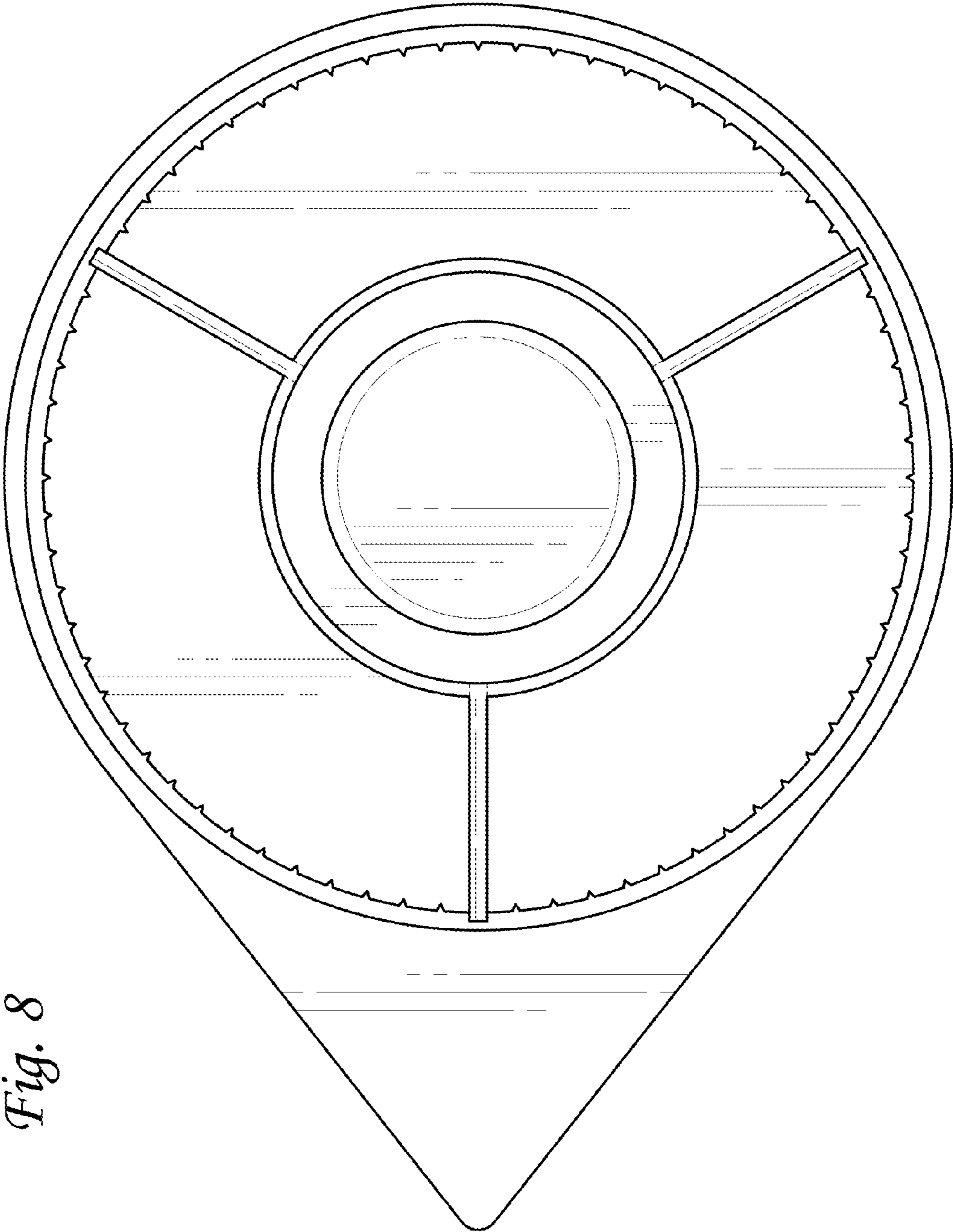


Fig. 8