



US00D723910S

(12) **United States Design Patent**
Totsu

(10) **Patent No.:** **US D723,910 S**
(45) **Date of Patent:** **** Mar. 10, 2015**

- (54) **SCREW**
- (71) Applicant: **Katsuyuki Totsu**, Sumida-ku (JP)
- (72) Inventor: **Katsuyuki Totsu**, Sumida-ku (JP)
- (**) Term: **14 Years**
- (21) Appl. No.: **29/473,271**
- (22) Filed: **Nov. 20, 2013**
- (51) **LOC (10) Cl.** **08-08**
- (52) **U.S. Cl.**
USPC **D8/387**
- (58) **Field of Classification Search**
USPC D8/387, 397; 411/378, 393, 402-403,
411/6, 435, 437, 510, 427, 337, 429, 400,
411/411, 178, 184, 188, 412, 481;
52/156-157
See application file for complete search history.

D647,392 S * 10/2011 Zacharevitz et al. D8/387
D649,446 S 11/2011 Totsu
8,360,702 B2 * 1/2013 Yu 411/386

* cited by examiner

Primary Examiner — Sheryl Lane
(74) *Attorney, Agent, or Firm* — DLA Piper LLP (US)

(57) **CLAIM**
The ornamental design for a screw, as shown and described.

DESCRIPTION

FIG. 1 is a front elevational view of the screw showing my new design;
FIG. 2 is a rear elevational view thereof;
FIG. 3 is a left side elevational view thereof;
FIG. 4 is a right side elevational view thereof;
FIG. 5 is a top plan view thereof;
FIG. 6 is a bottom plan view thereof;
FIG. 7 is a perspective view of the screw taken from the top, front and left side thereof;
FIG. 8 is a cross-sectional view taking along the lines 8-8 in FIG. 5 to illustrate the configuration of the groove formed in the screw head; and,
FIG. 9 is a cross-sectional view taking along the lines 9-9 in FIG. 5 to illustrate the configuration of the groove formed in the screw head.
The broken lines represent portions of the article and form no part of the claimed design.

(56) **References Cited**

U.S. PATENT DOCUMENTS

D557,131 S	*	12/2007	Liu et al.	D8/387
7,326,014 B2	*	2/2008	Levey et al.	411/308
D581,776 S	*	12/2008	Yin-Feng	D8/387
D596,483 S	*	7/2009	Yehling	D8/397
D612,230 S	*	3/2010	Tanner	D8/387
D639,644 S	*	6/2011	Tremaine et al.	D8/387
D640,918 S		7/2011	Totsu		

1 Claim, 5 Drawing Sheets

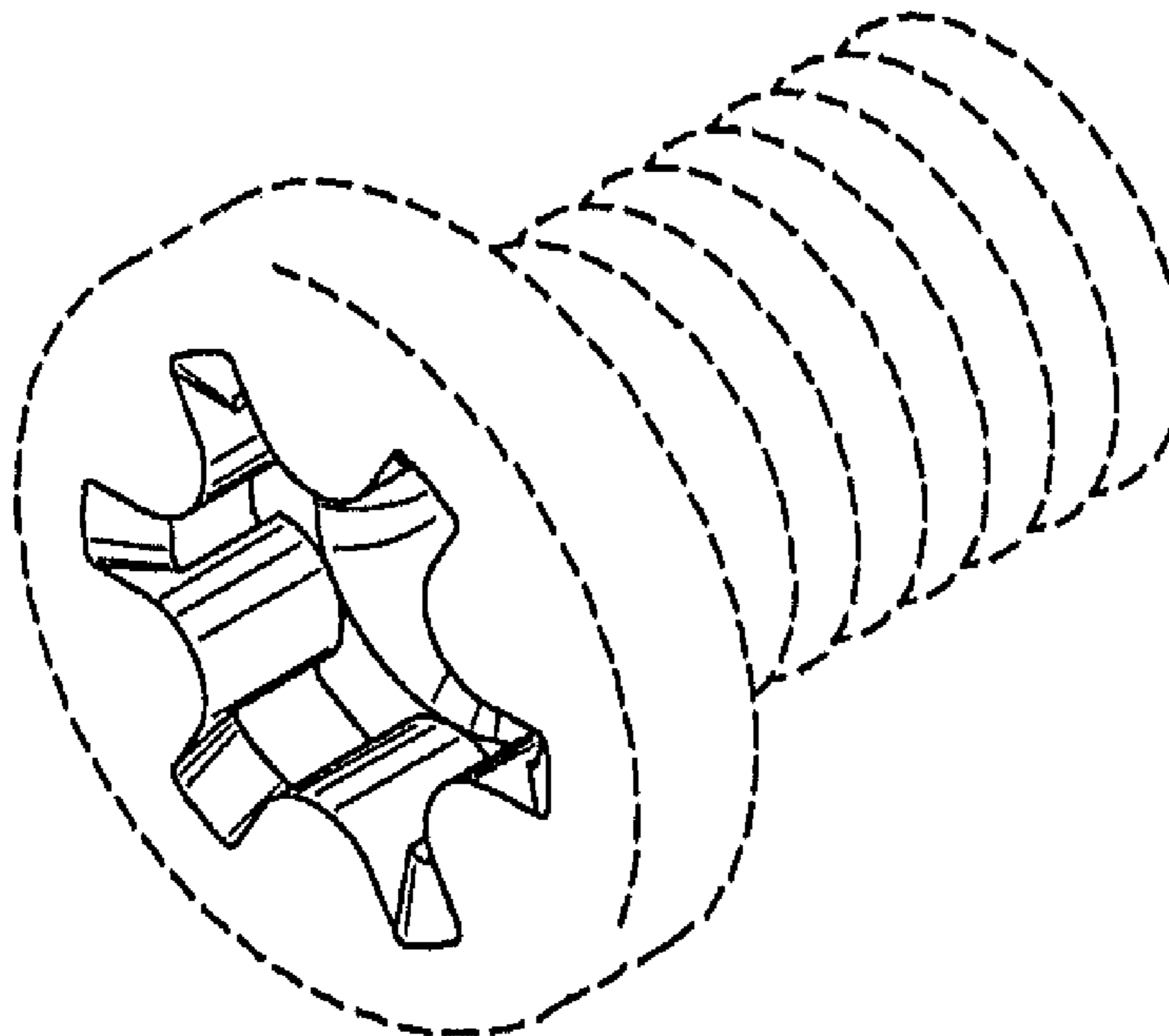


FIG. 1

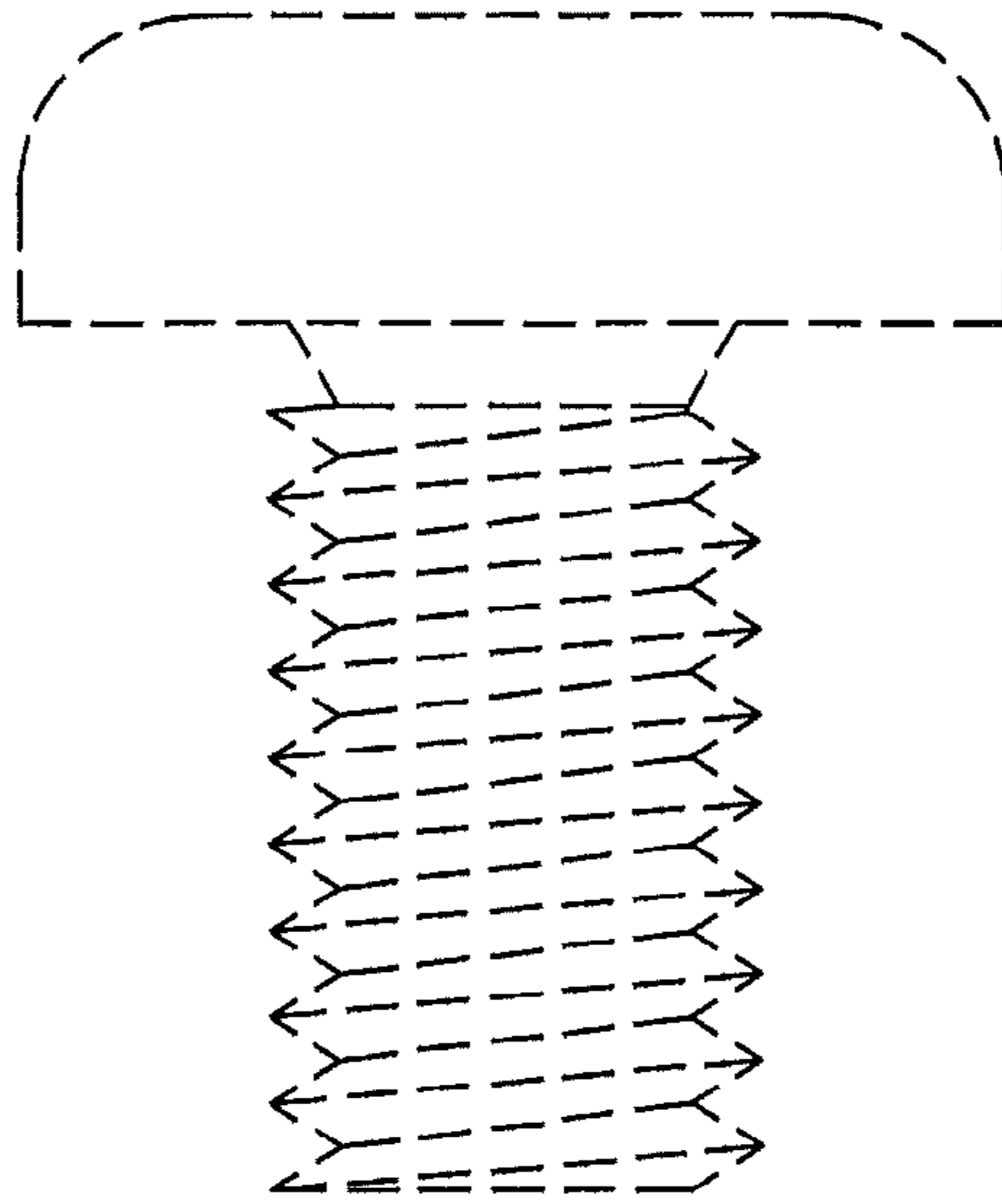


FIG. 2

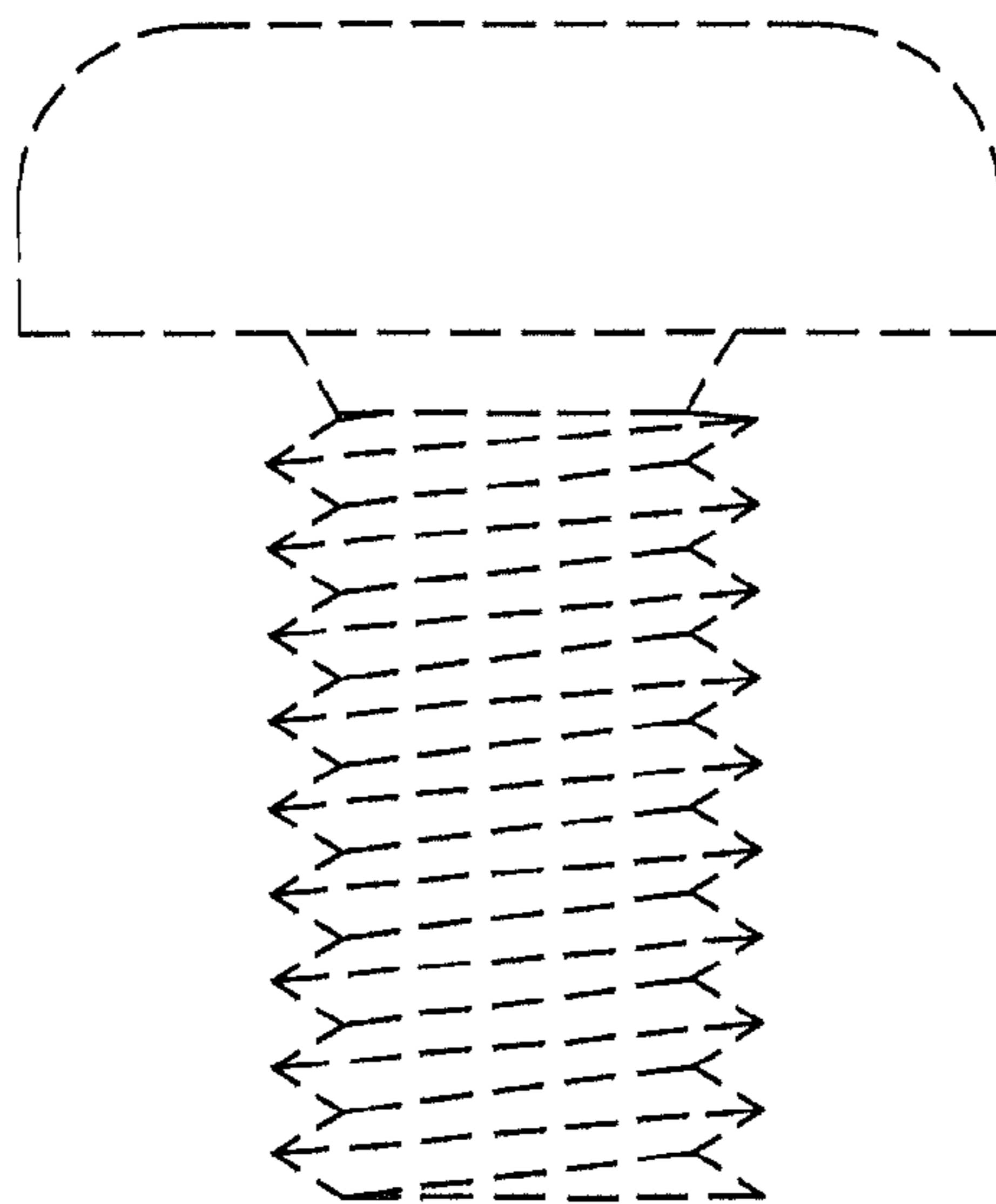


FIG. 3

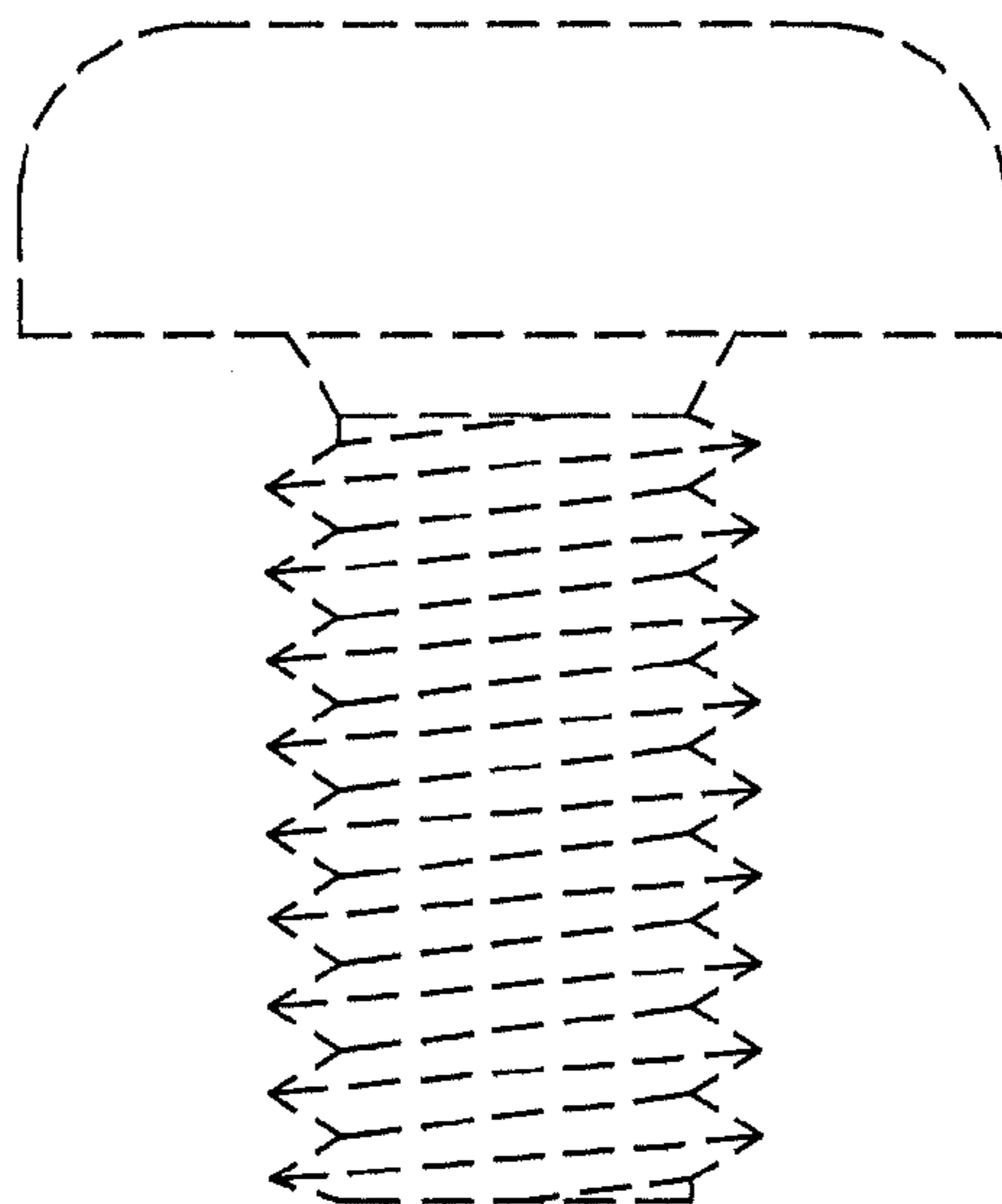


FIG. 4

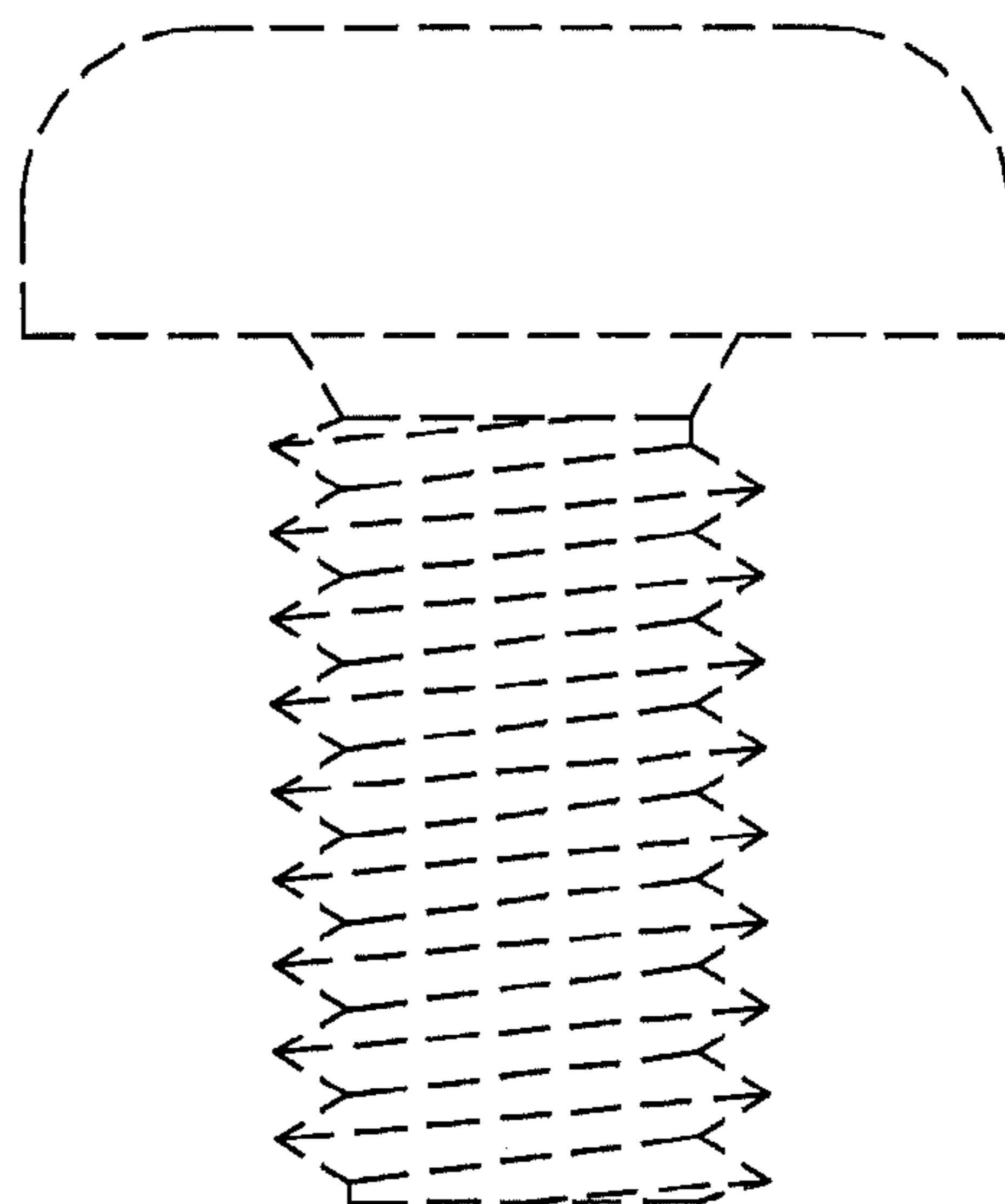


FIG. 5

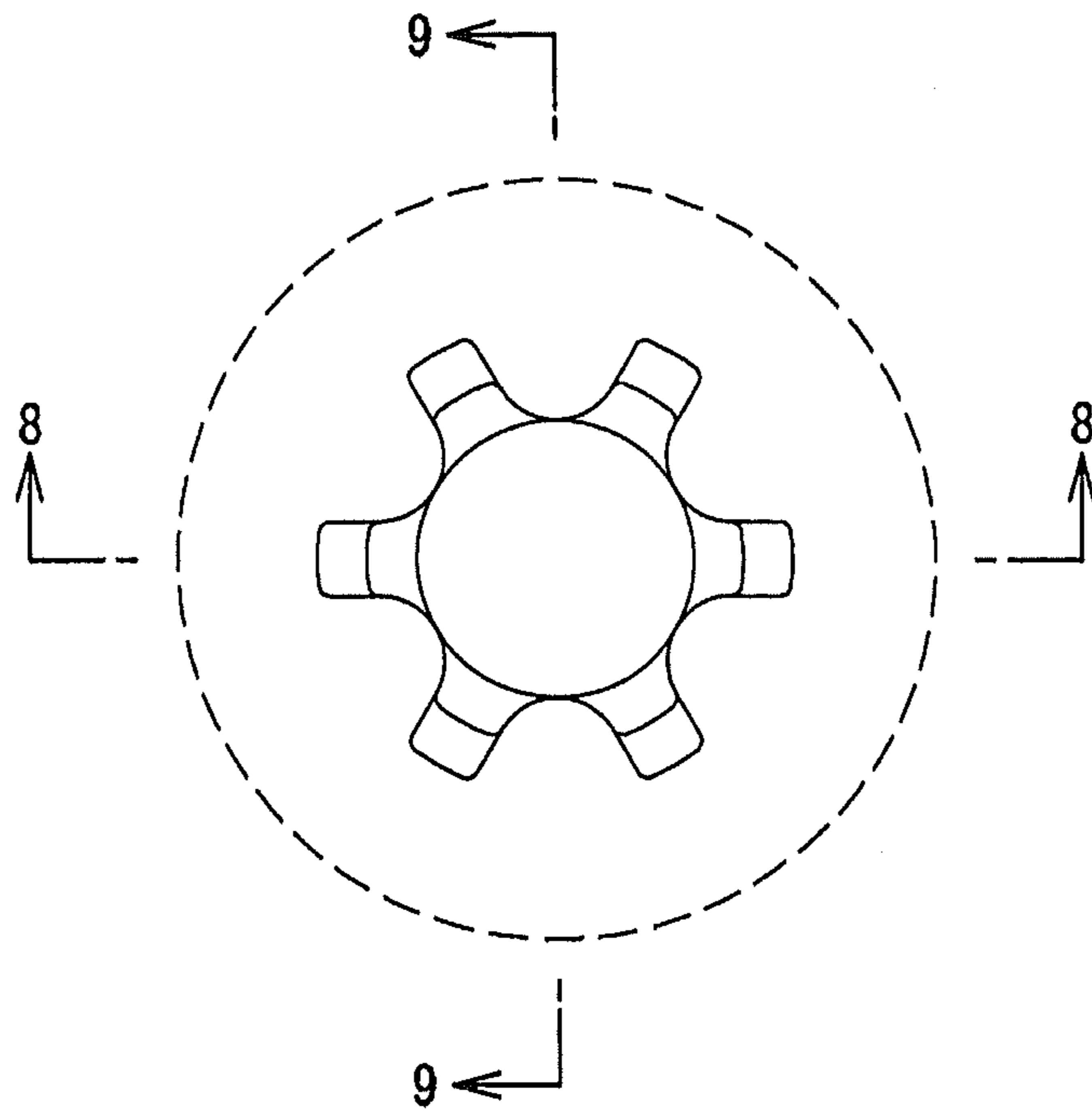


FIG. 6

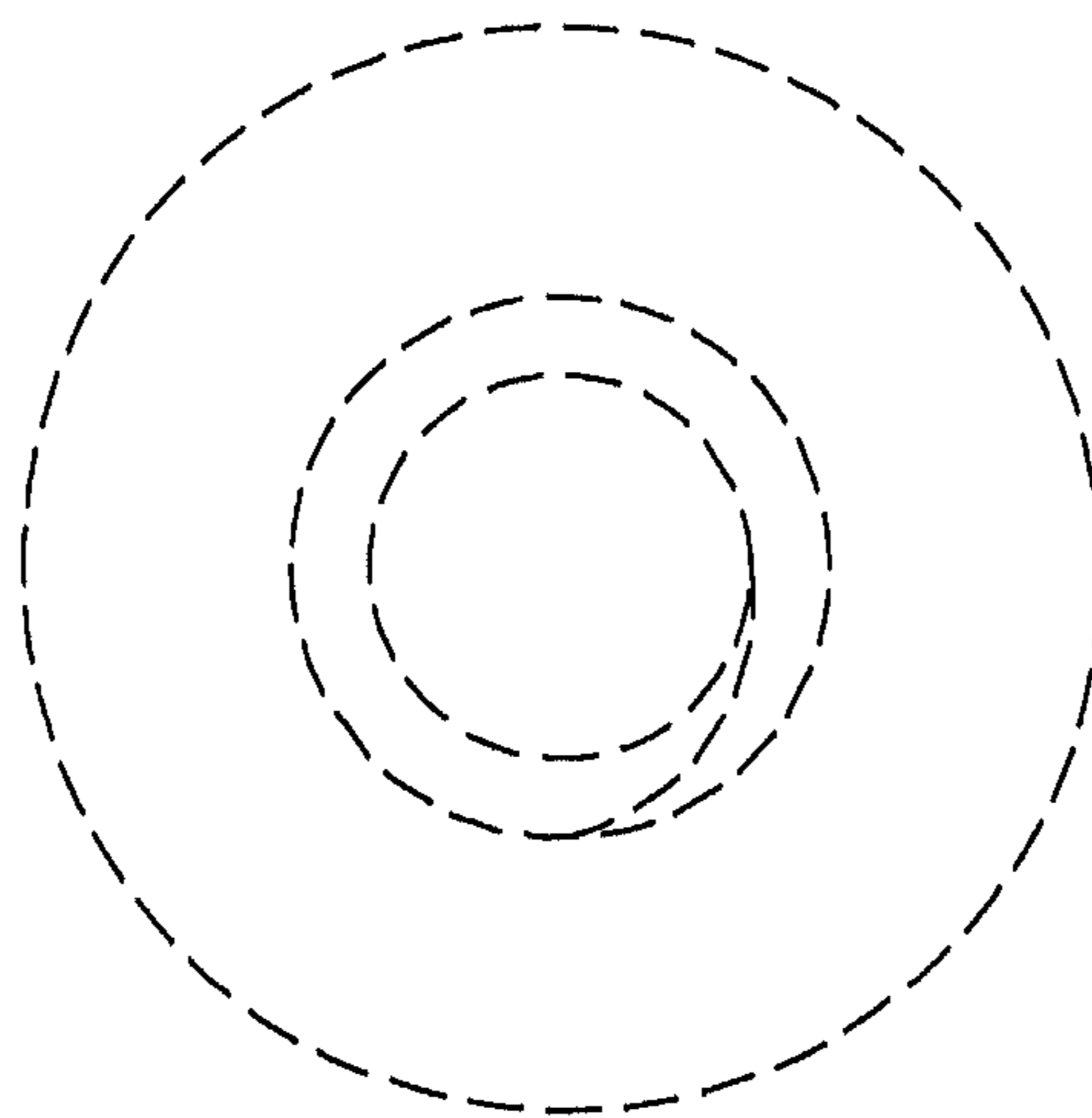


FIG. 7

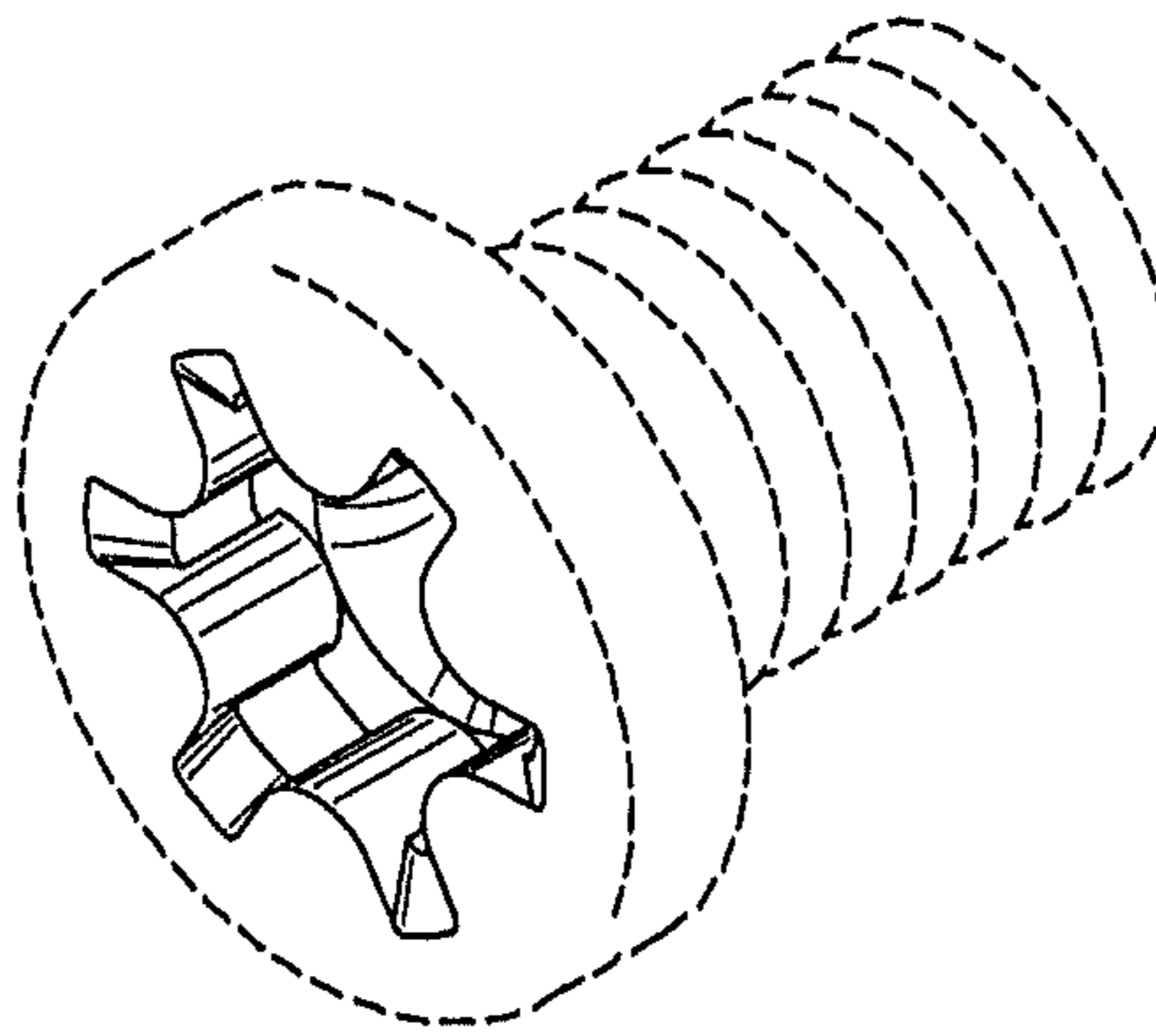


FIG. 8

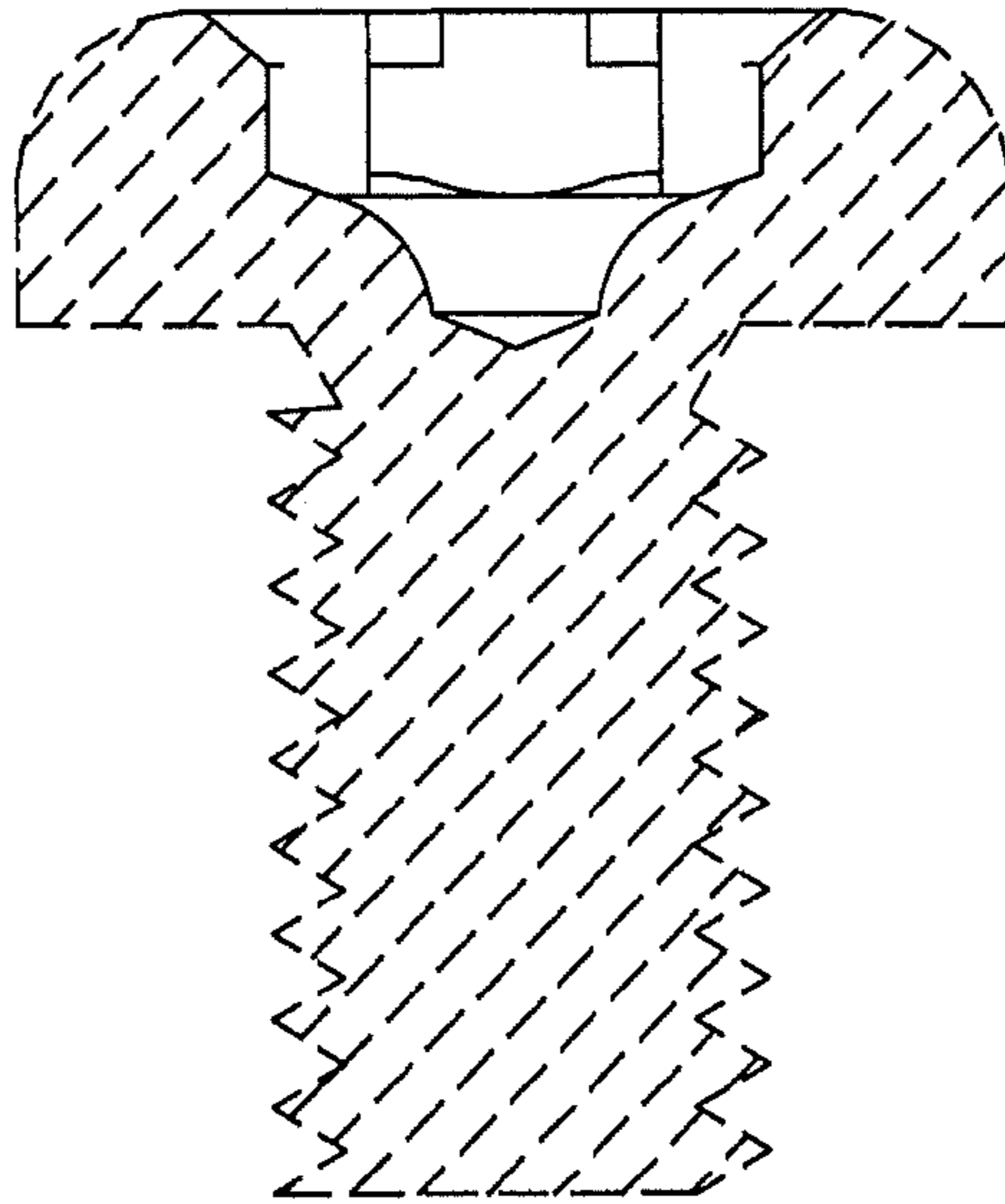


FIG. 9

