



US00D723909S

(12) **United States Design Patent**  
**McShane**

(10) **Patent No.:** **US D723,909 S**  
(45) **Date of Patent:** **\*\* Mar. 10, 2015**

(54) **SHEET PILE CONNECTOR FOR  
CONNECTING SHEET PILES**

(71) Applicant: **PilePro LLC**, Creedmoor, Austin, TX  
(US)  
(72) Inventor: **Gerry McShane**, Bernardsville, NJ (US)  
(73) Assignee: **PilePro LLC**, Austin, TX (US)  
(\*\*) Term: **14 Years**

(21) Appl. No.: **29/487,958**  
(22) Filed: **Apr. 14, 2014**

(30) **Foreign Application Priority Data**  
Oct. 15, 2013 (EM) ..... 002326660-0002  
(51) **LOC (10) Cl.** ..... **08-08**  
(52) **U.S. Cl.**  
USPC ..... **D8/382**  
(58) **Field of Classification Search**  
USPC ..... D8/382, 394-395; D25/121, 119, 61;  
405/274, 277, 278-279; 24/370, 346,  
24/573.09

See application file for complete search history.

(56) **References Cited**

U.S. PATENT DOCUMENTS

D379,299	S	*	5/1997	Fitzgibbons	.....	D8/402
6,428,244	B1	*	8/2002	Wall	.....	405/279
D520,350	S	*	5/2006	Wall	.....	D8/382
D521,364	S	*	5/2006	Wall	.....	D8/382
D526,888	S	*	8/2006	Heindl	.....	D8/382
D542,633	S	*	5/2007	Heindl	.....	D8/382
D623,932	S	*	9/2010	Austro	.....	D8/382
7,955,029	B2	*	6/2011	Heindl	.....	405/274
D649,443	S	*	11/2011	Heindl	.....	D8/382
8,066,453	B2	*	11/2011	Heindl	.....	405/274

\* cited by examiner

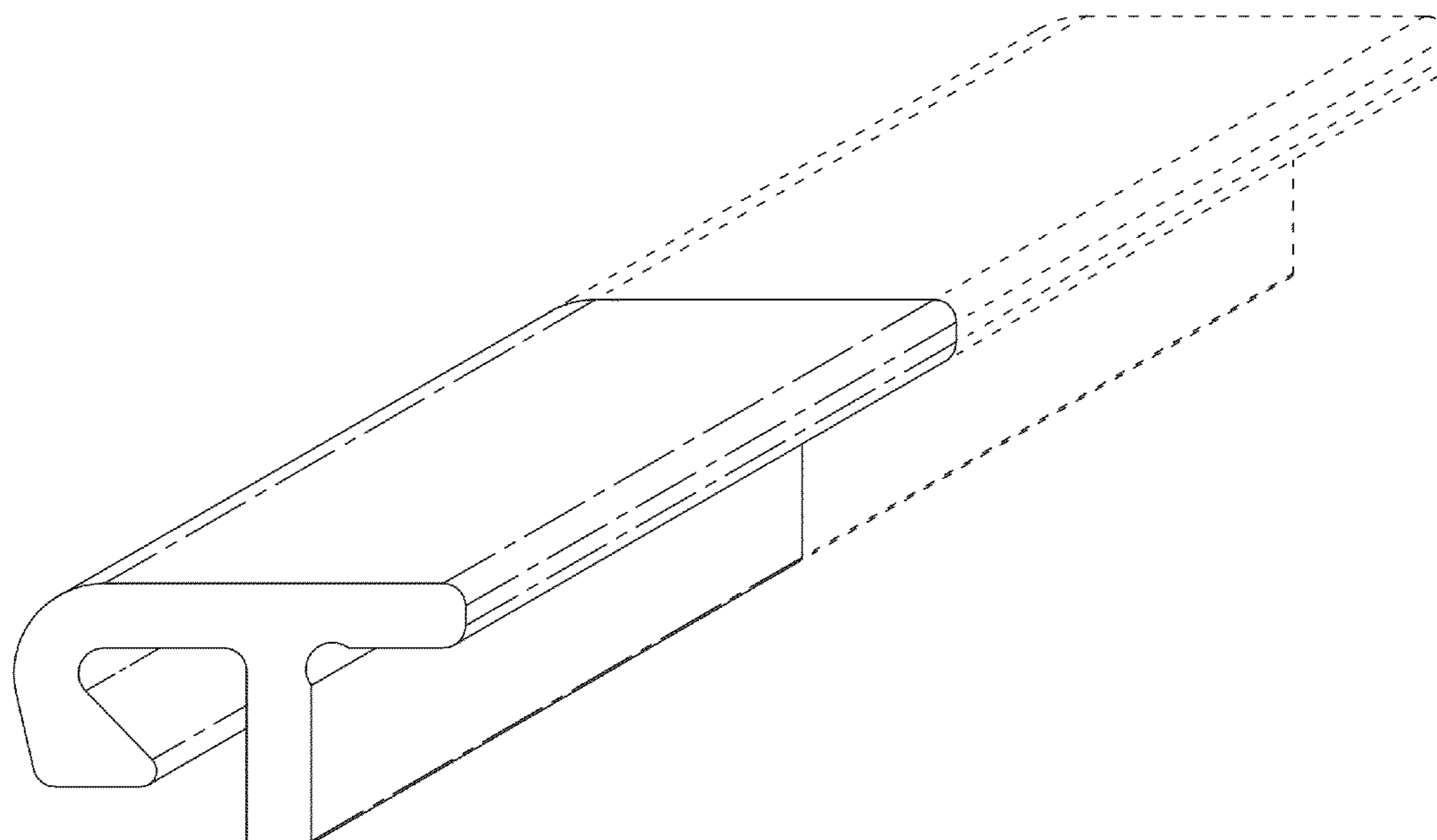
*Primary Examiner* — Sheryl Lane  
(74) *Attorney, Agent, or Firm* — Merchant & Gould P.C.

(57) **CLAIM**  
The ornamental design for a sheet pile connector for connecting sheet piles, as shown and described.

**DESCRIPTION**

FIG. 1 is a perspective view of the sheet pile connector for connecting sheet piles according to my design;  
FIG. 2 is an end view of the sheet pile connector of FIG. 1, the opposite end view being a mirror image thereof;  
FIG. 3 is a front view of the sheet pile connector of FIG. 1;  
FIG. 4 is a rear view of the sheet pile connector of FIG. 1;  
FIG. 5 is a top view of the sheet pile connector of FIG. 1; and,  
FIG. 6 is a bottom view of the sheet pile connector of FIG. 1.  
The broken lines represent environment and form no part of the claimed design.

**1 Claim, 6 Drawing Sheets**



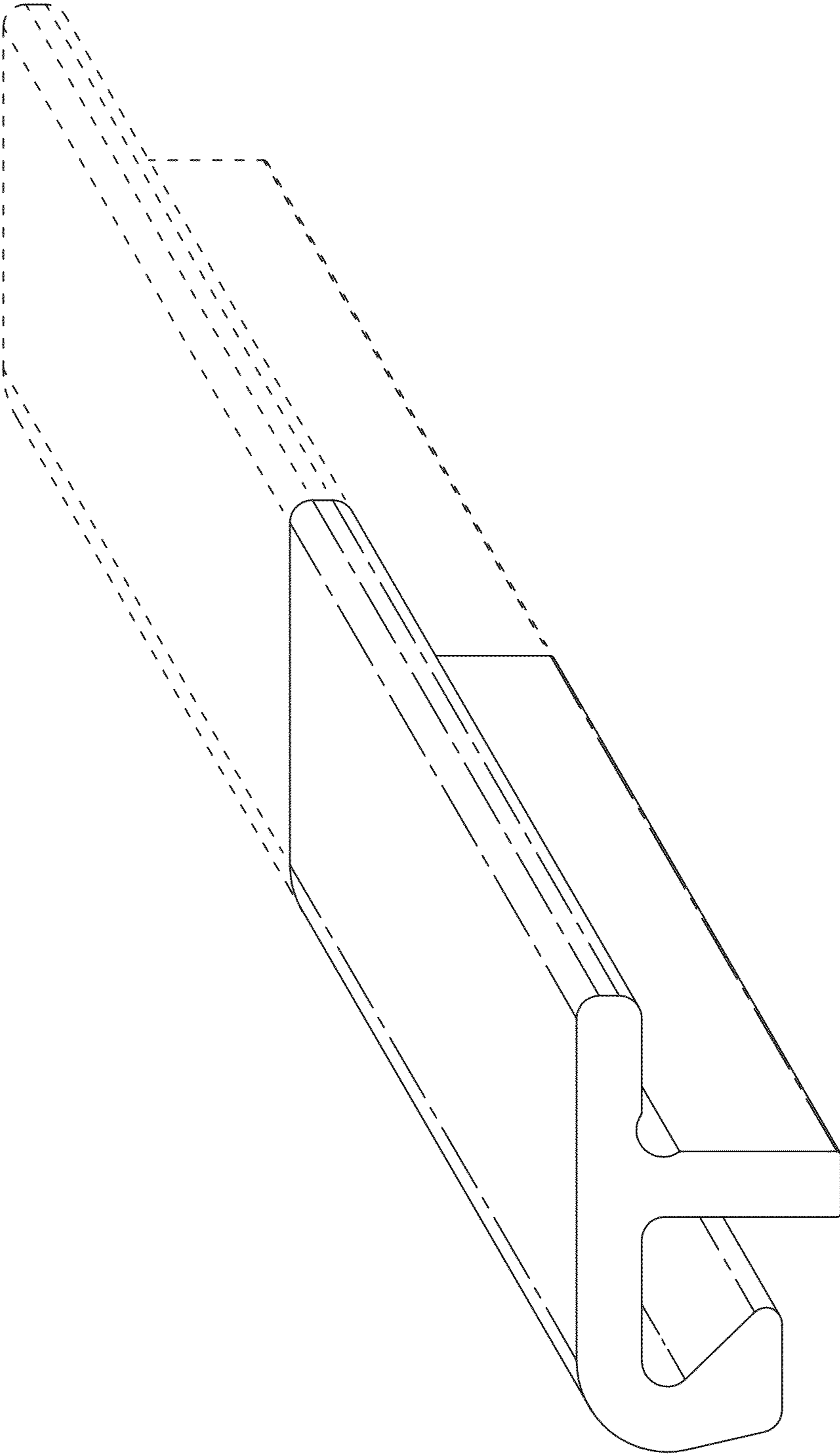


FIG. 1

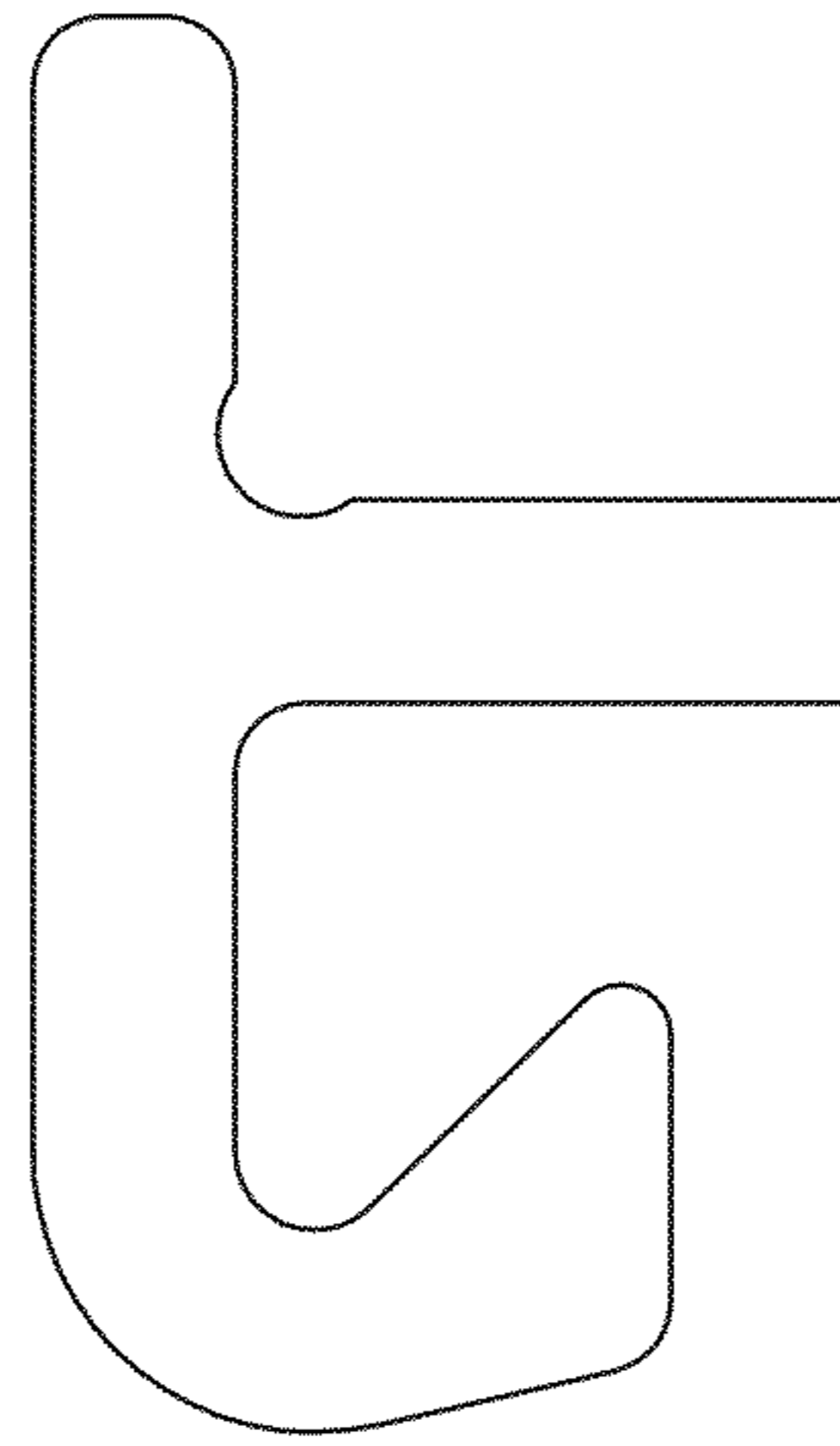


FIG. 2

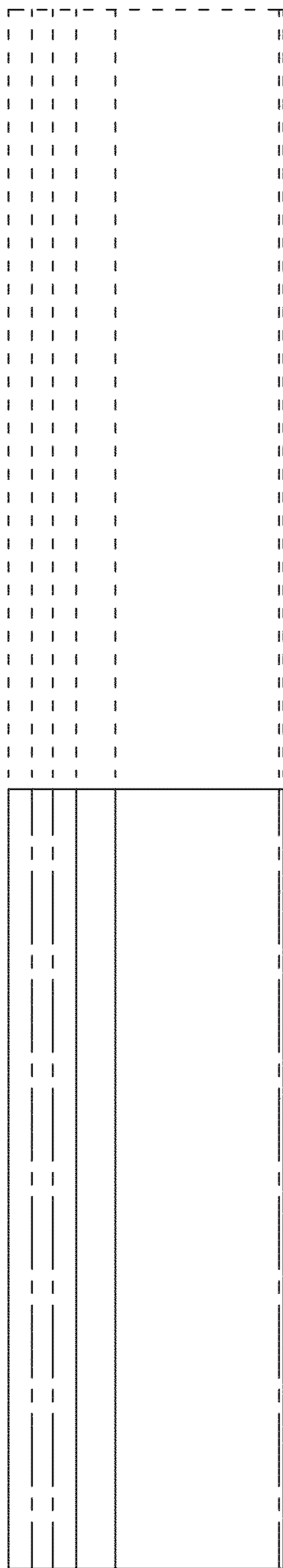


FIG. 3

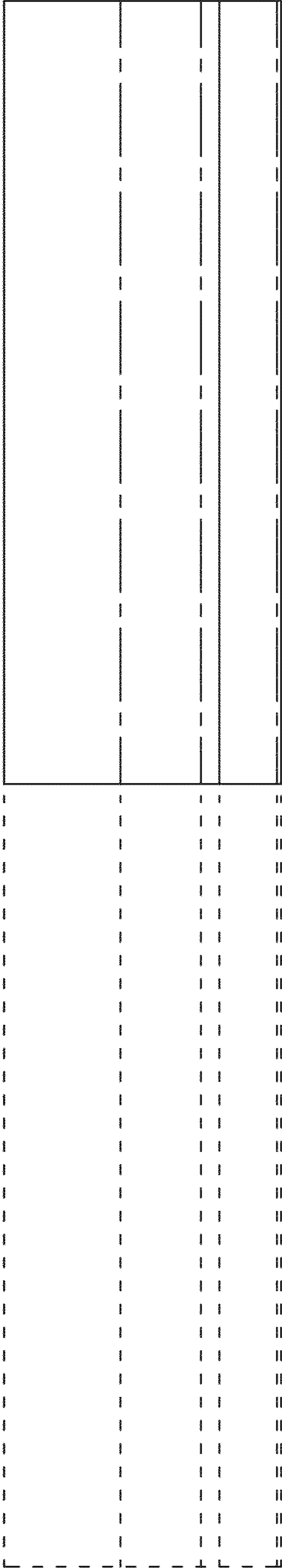


FIG. 4

FIG. 5

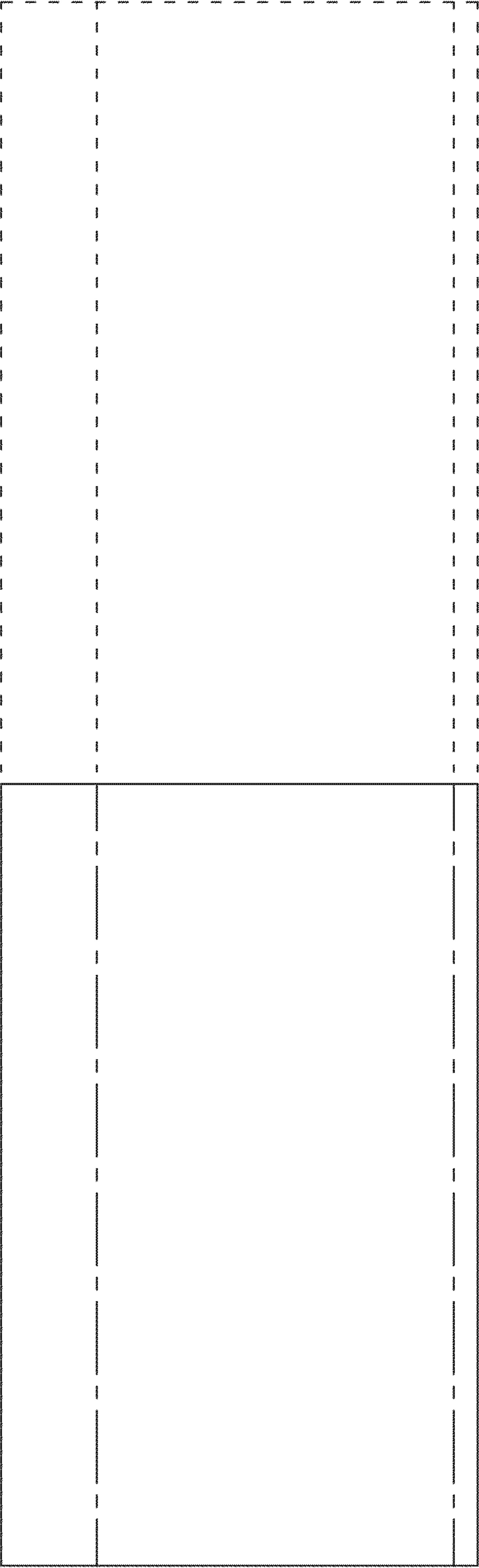


FIG. 6

